



US00D858994S

(12) **United States Design Patent**
Chang

(10) **Patent No.:** **US D858,994 S**

(45) **Date of Patent:** **** Sep. 10, 2019**

(54) **TOOL BOX**

(71) Applicant: **Yi-Fan Chang**, Taichung (TW)

(72) Inventor: **Yi-Fan Chang**, Taichung (TW)

(**) Term: **15 Years**

(21) Appl. No.: **29/642,935**

(22) Filed: **Apr. 3, 2018**

(51) **LOC (12) Cl.** **03-01**

(52) **U.S. Cl.**
USPC **D3/318; D3/294; D3/273**

(58) **Field of Classification Search**
USPC **D3/273, 289, 294, 318**
CPC .. **A45C 5/00; A45C 5/14; B65D 21/04; B65D 21/02; B65D 21/0235; B65D 21/0233; B25H 3/02**

See application file for complete search history.

(56) **References Cited**

U.S. PATENT DOCUMENTS

6,722,524 B1 *	4/2004	Huang	A45C 13/26
				220/761
D502,316 S *	3/2005	Chen	D3/273
D516,309 S *	3/2006	Richardson	D3/273
D548,971 S *	8/2007	Lin	D3/294
D563,672 S *	3/2008	Cornwell	D3/294
D569,616 S *	5/2008	Lin	D3/273
D578,759 S *	10/2008	Grenier	D3/294
D579,202 S *	10/2008	Grenier	D3/294
D601,797 S *	10/2009	Wenchel	D3/294
D733,429 S *	7/2015	Grenier	D3/294

D735,995 S *	8/2015	Lin	D3/294
D753,394 S *	4/2016	Brunner	D3/276
D754,436 S *	4/2016	Ou	D3/282
D754,439 S *	4/2016	Ou	D3/318
D789,086 S *	6/2017	Lin	D3/294
D790,221 S *	6/2017	Yahav	D3/294
D808,653 S *	1/2018	Rayeski	D3/273
D816,334 S *	5/2018	Brunner	D3/273

* cited by examiner

Primary Examiner — Holly H Baynham

(74) *Attorney, Agent, or Firm* — Muncy, Geisler, Olds & Lowe, P.C.

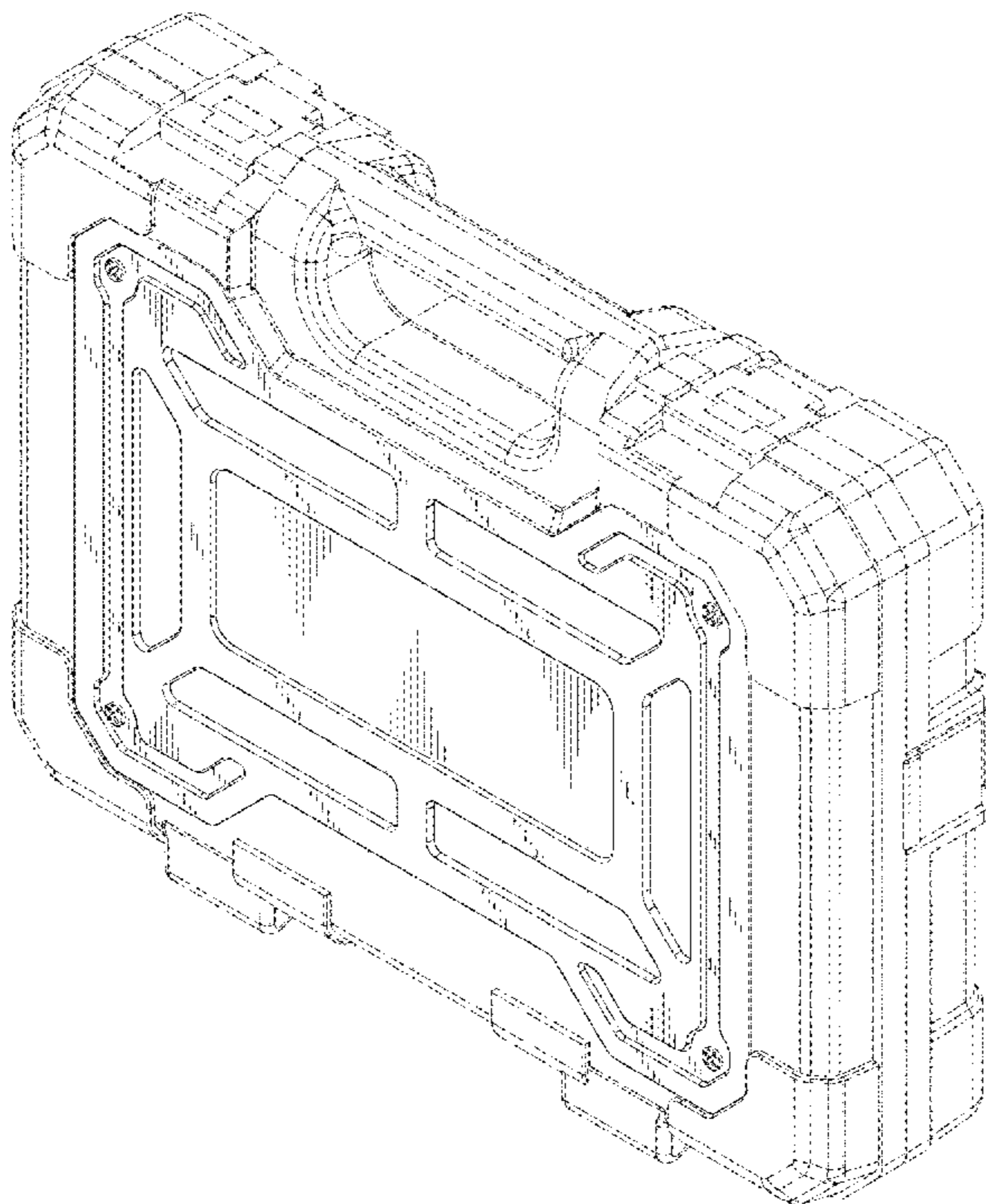
(57) **CLAIM**

I claim the ornamental design for a tool box, as shown and described.

DESCRIPTION

FIG. 1 is a right, front, and top perspective view of a tool box showing my new design;
 FIG. 2 is a front elevational view thereof;
 FIG. 3 is a rear elevational view thereof;
 FIG. 4 is a left side view thereof;
 FIG. 5 is a right side view thereof;
 FIG. 6 is a top plan view thereof;
 FIG. 7 is a bottom plan view thereof;
 FIG. 8 is a right, front and bottom perspective view thereof;
 and,
 FIG. 9 is a right, rear, and top perspective view.
 The broken lines in the drawings illustrate portions of the tool box which form no part of the claimed design.

1 Claim, 7 Drawing Sheets



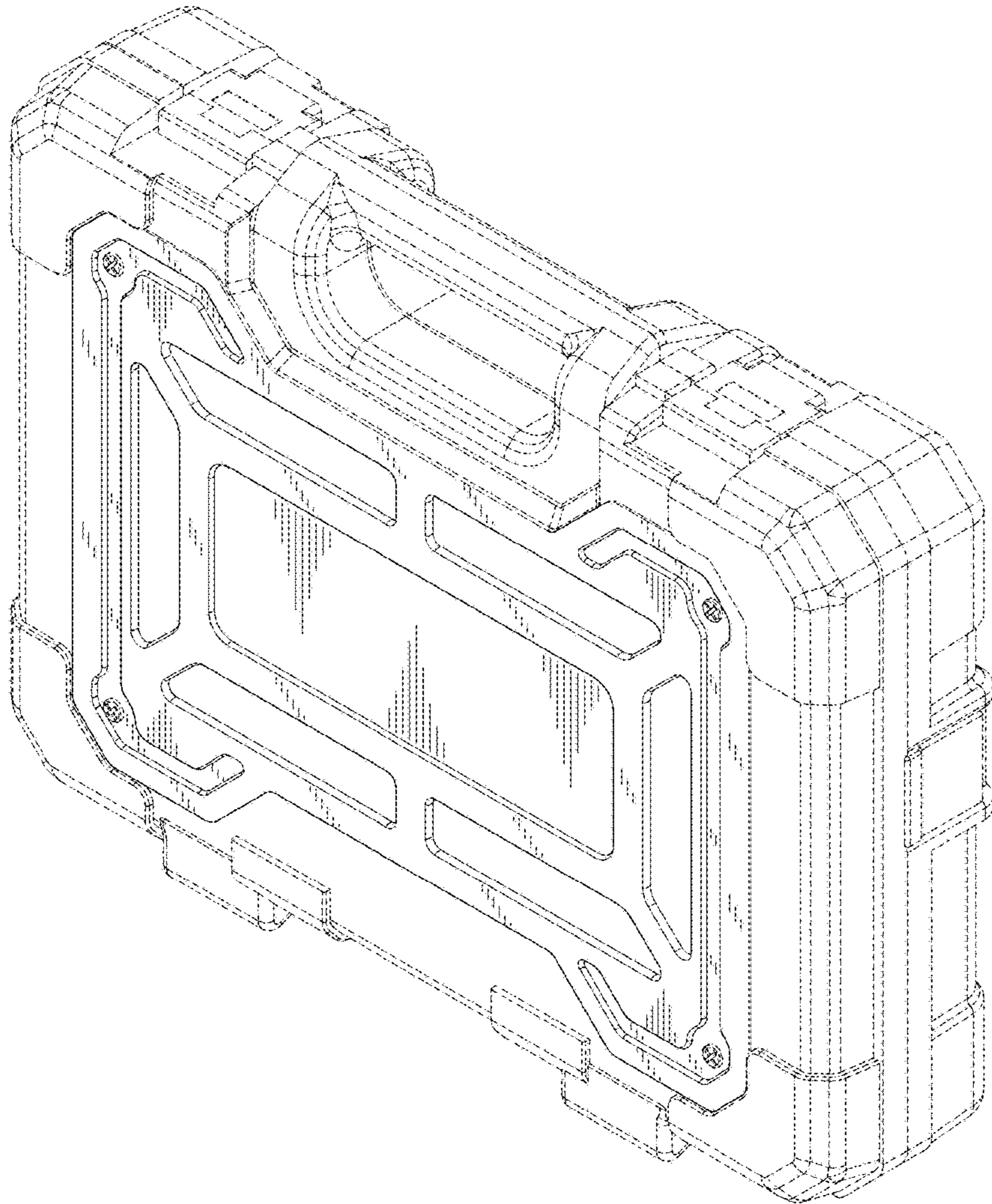


FIG. 1

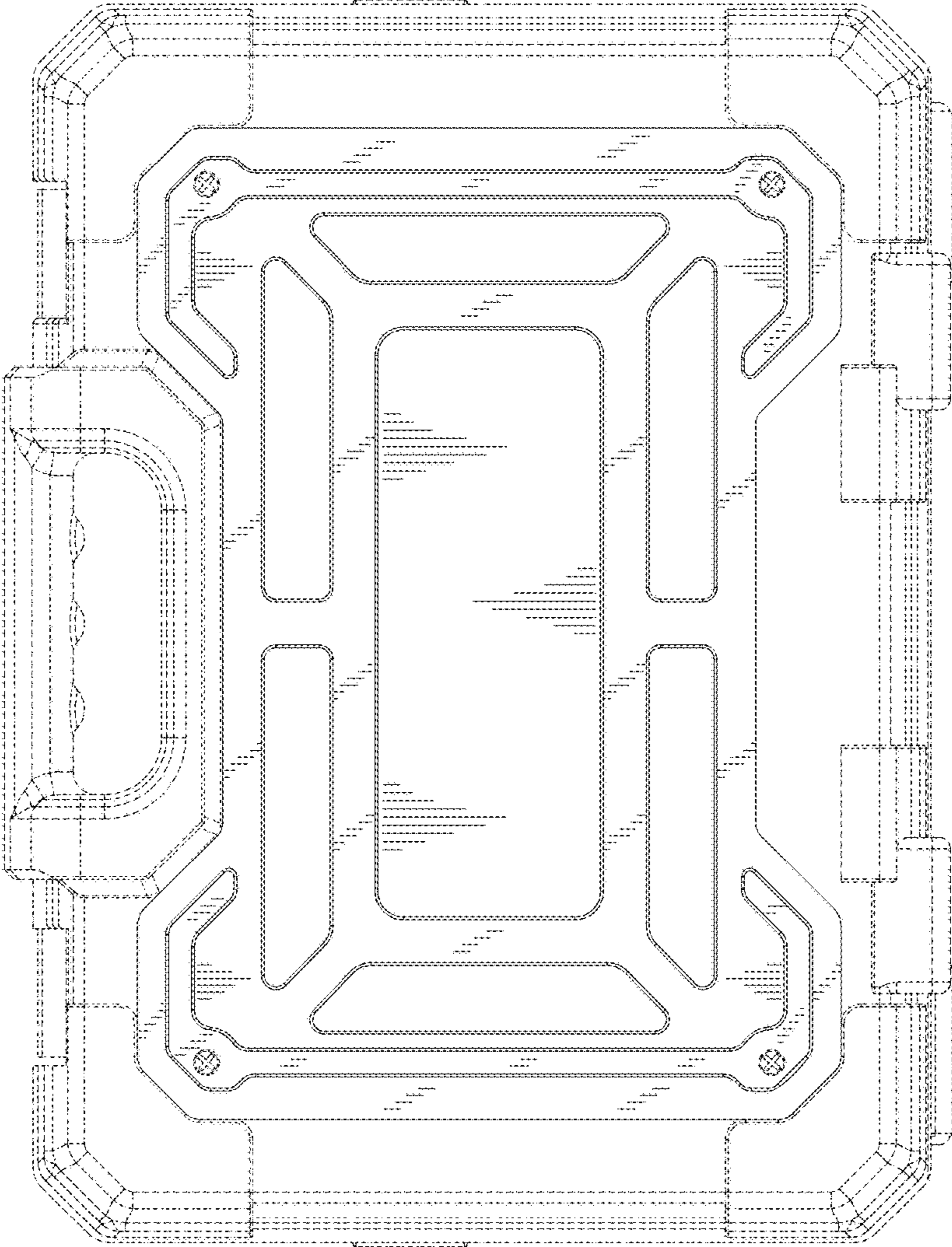


FIG. 2

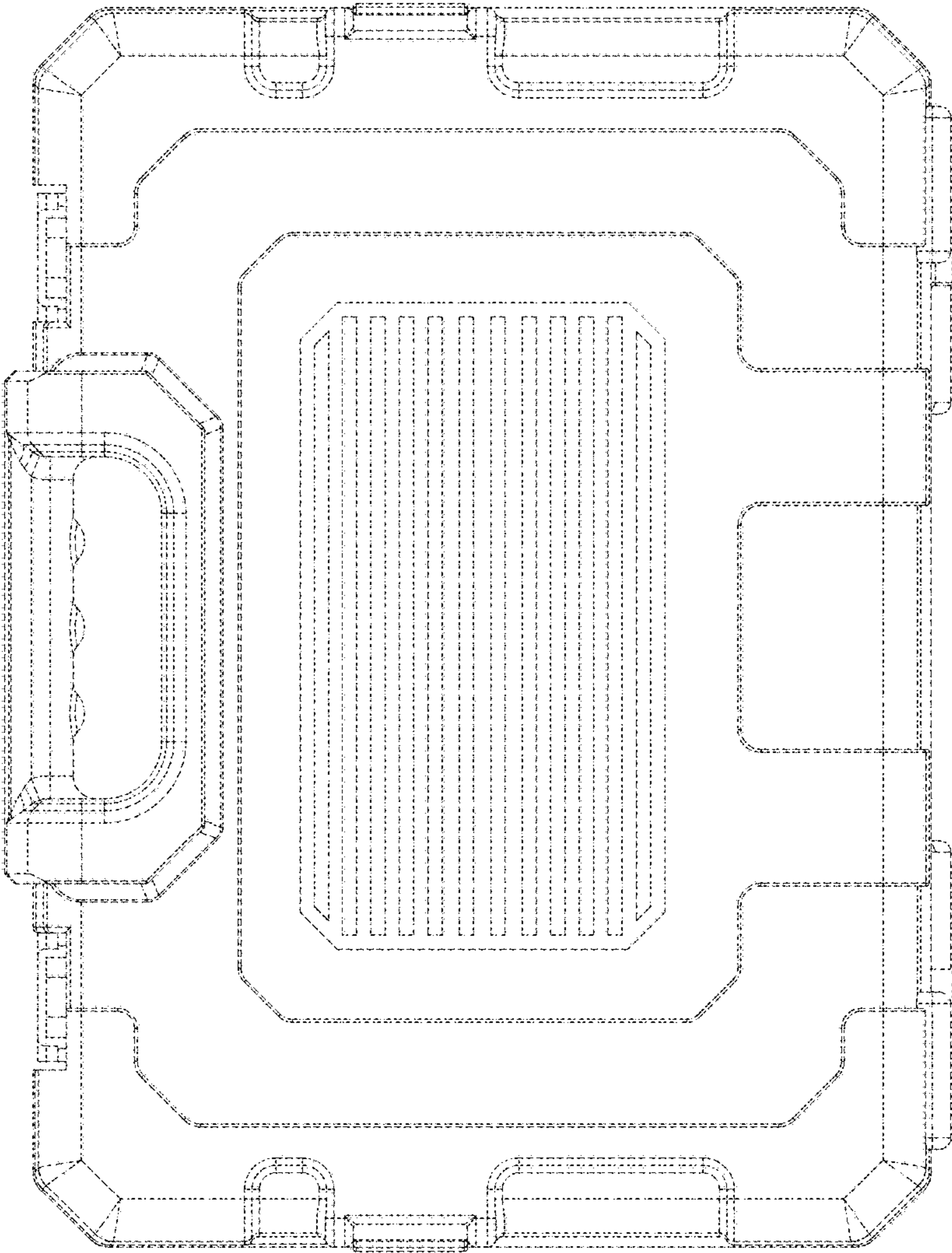


FIG. 3

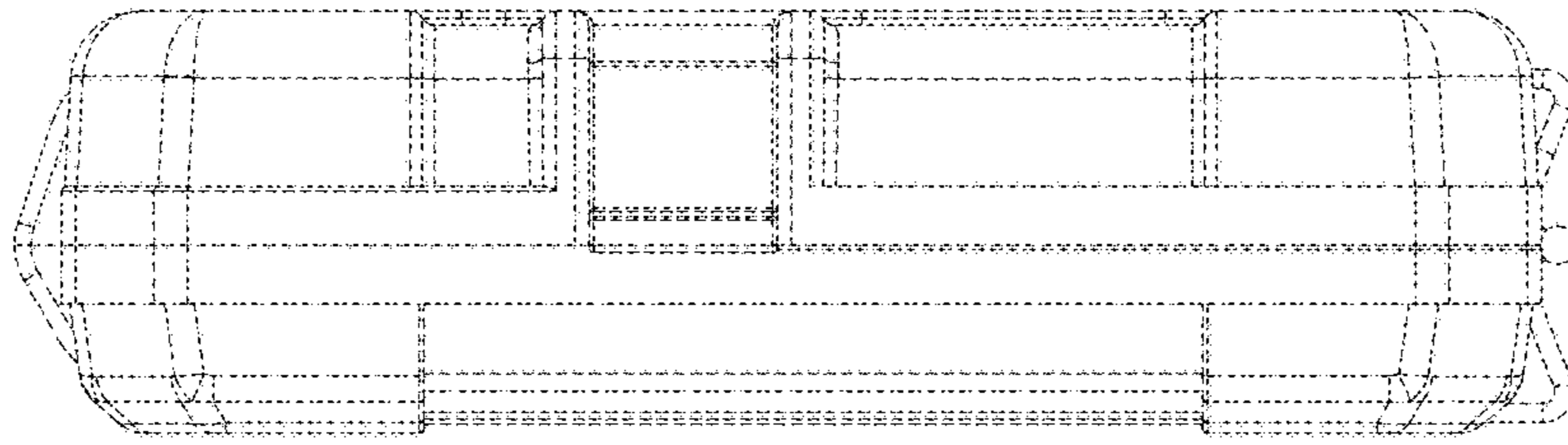


FIG. 5

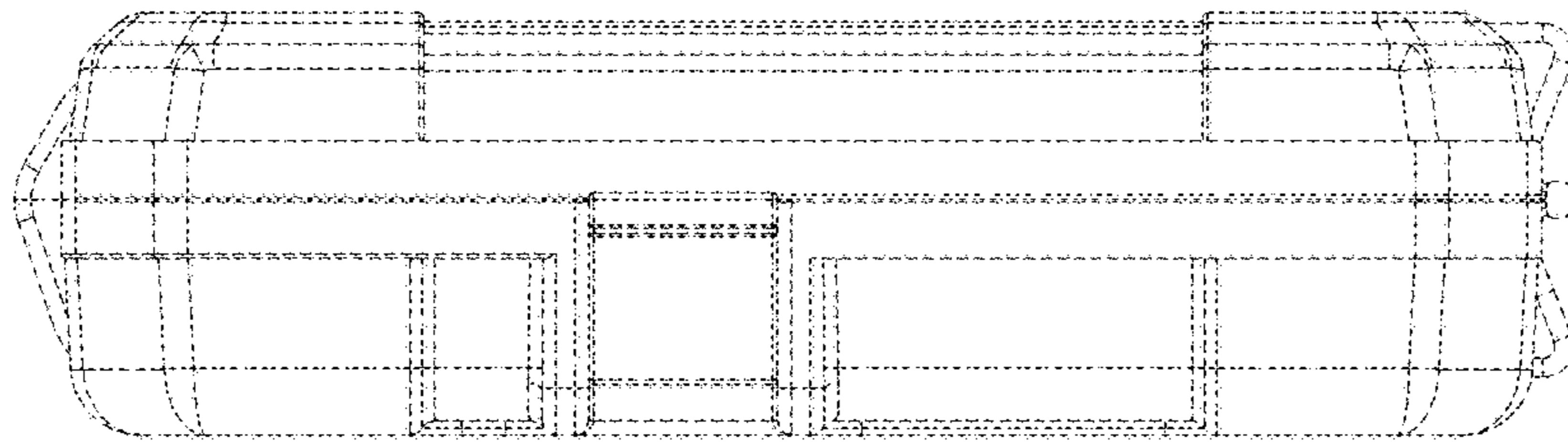


FIG. 4

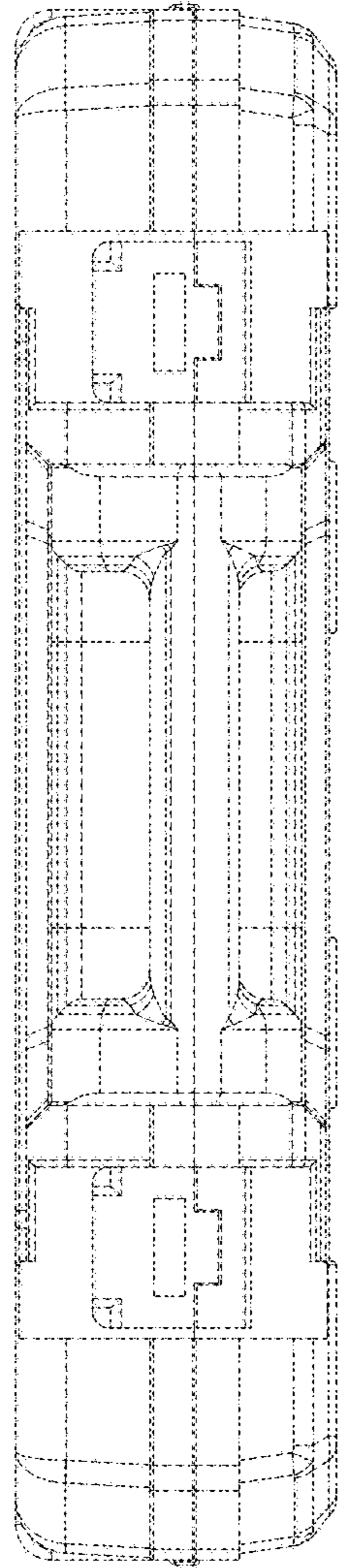


FIG. 6

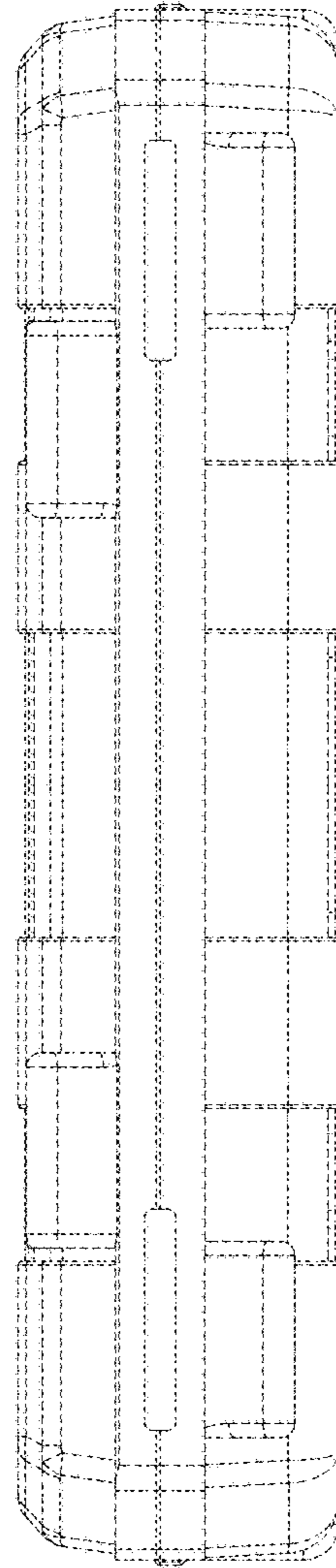


FIG. 7

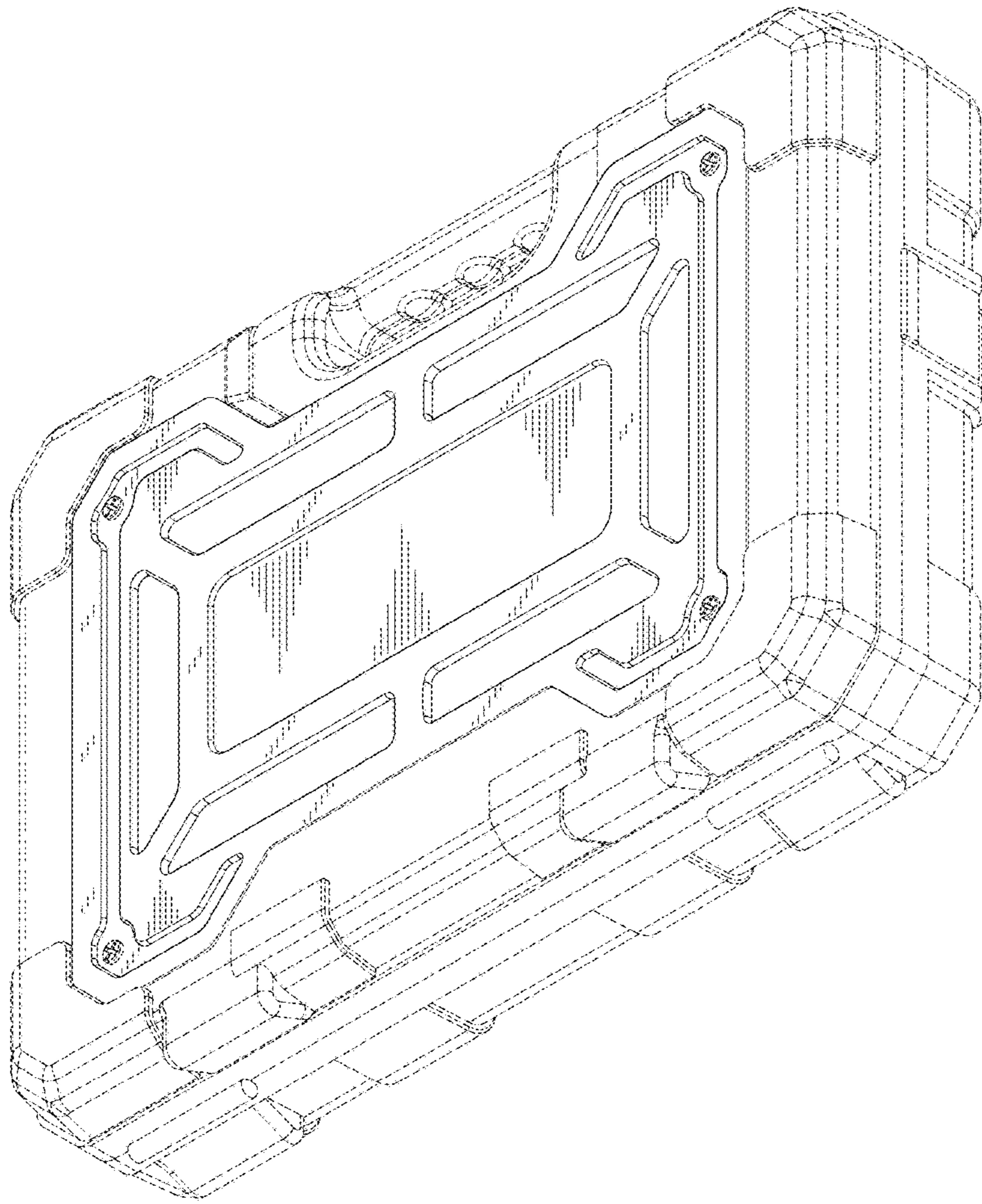


FIG. 8

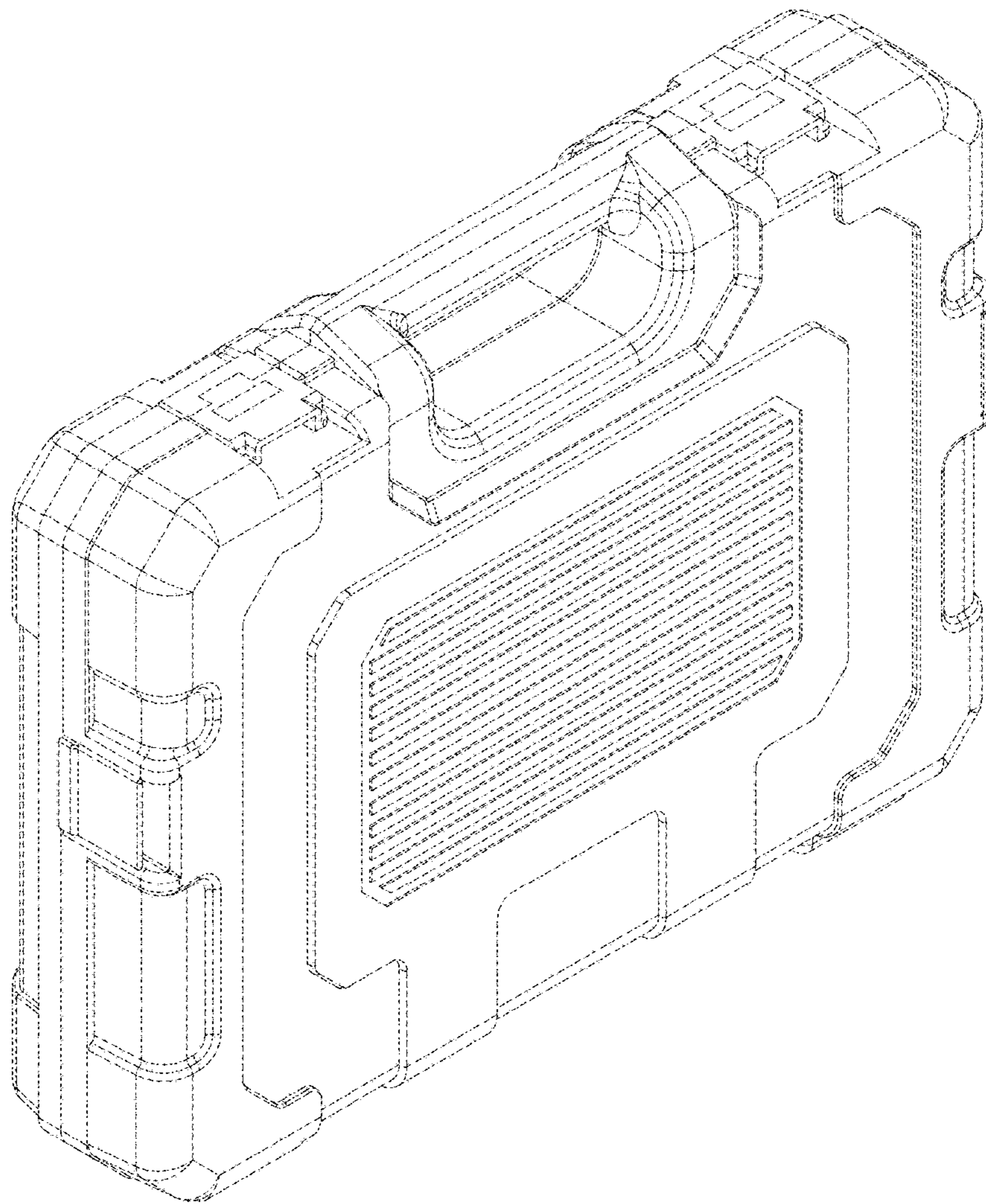


FIG. 9