



US00D858993S

(12) **United States Design Patent** (10) **Patent No.:** **US D858,993 S**
Kohlstedt et al. (45) **Date of Patent:** **** Sep. 10, 2019**

(54) **POCKETED LUGGAGE COVER**

FOREIGN PATENT DOCUMENTS

(71) Applicants: **Loretta Kohlstedt**, Port Charlotte, FL (US); **Daniel Golisano**, Port Charlotte, FL (US)

WO 2014005633 1/2014

Primary Examiner — Holly H Baynham
(74) *Attorney, Agent, or Firm* — Hanrahan Law Firm, P.A.; Benjamin M. Hanrahan

(72) Inventors: **Loretta Kohlstedt**, Port Charlotte, FL (US); **Daniel Golisano**, Port Charlotte, FL (US)

(57) **CLAIM**

(**) Term: **15 Years**

The ornamental design for a pocketed luggage cover, as shown and described.

(21) Appl. No.: **29/640,403**

(22) Filed: **Mar. 14, 2018**

DESCRIPTION

(51) **LOC (12) Cl.** **03-01**

(52) **U.S. Cl.**
USPC **D3/318**

(58) **Field of Classification Search**
USPC D3/318
CPC B60R 7/04; B60R 7/005; A45C 13/00;
A45C 13/002; B25H 3/00
See application file for complete search history.

FIG. 1 is a front perspective view illustrating our design for a pocketed luggage cover.

FIG. 2 is a rear perspective view thereof.

FIG. 3 is a front view thereof.

FIG. 4 is a right side view thereof.

FIG. 5 is a rear view thereof.

FIG. 6 is a left side view thereof.

FIG. 7 is a top view thereof.

FIG. 8 is a bottom view thereof.

FIG. 9 is another rear view thereof, with an extended luggage handle, represented in broken lines, and a beverage cup with a straw, a beverage bottle and a magazine, each also represented in broken lines, placed in pockets of the pocketed luggage cover; and,

FIG. 10 is another front view thereof, with the extended luggage handle, represented in broken lines, and a beverage cup with a straw, a beverage bottle and another magazine, each also represented in broken lines, placed in pockets of the pocketed luggage cover.

The broken lines shown in FIGS. 1 through 10 representing a piece of luggage, including the luggage handle, are environmental and form no part of the claimed design. The additional broken lines in FIGS. 9 and 10 representing items in pockets are also environmental and form no part of the claimed design.

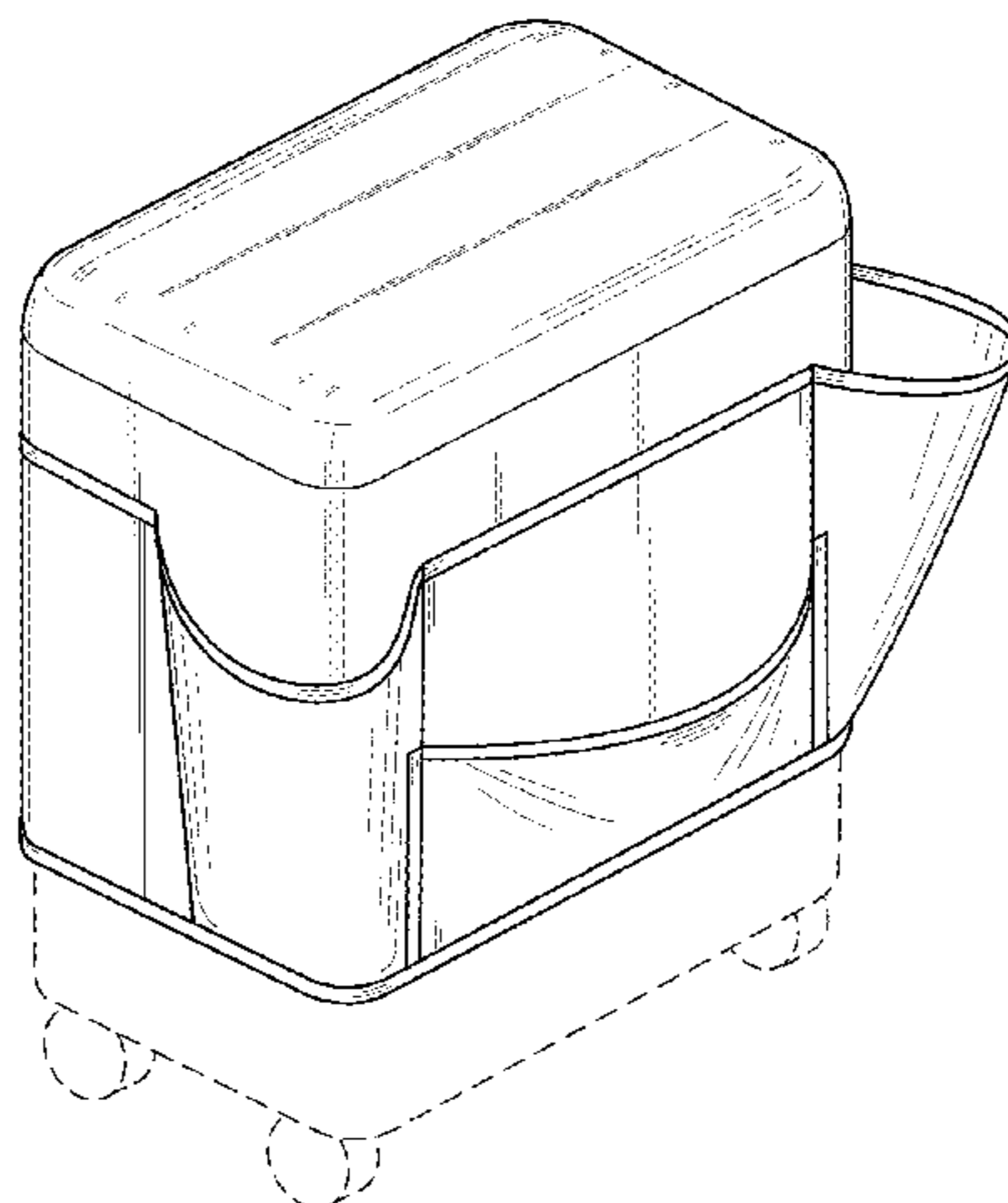
(56) **References Cited**

U.S. PATENT DOCUMENTS

2,711,234 A	6/1955	Rubens	
3,729,038 A	4/1973	Ekeson	
3,901,360 A	8/1975	Cook	
4,356,854 A *	11/1982	McGee B25H 3/00 182/129
5,083,644 A	1/1992	Collins, III	
5,772,066 A	6/1998	Reynolds	
5,797,528 A	8/1998	McDuffie	
6,032,840 A *	3/2000	Gregory B60R 7/04 220/23.86
6,279,796 B1	8/2001	Trevino	
6,543,658 B2	4/2003	Trevino	
6,609,626 B2 *	8/2003	Young A45C 13/002 150/154
6,772,485 B2	8/2004	Alpert	
D513,879 S	1/2006	Waples	
7,077,251 B1	7/2006	Gaither	

(Continued)

1 Claim, 9 Drawing Sheets



(56)

References Cited

U.S. PATENT DOCUMENTS

7,441,641	B2	10/2008	Beakey	
7,458,452	B2	12/2008	Beakey	
7,918,502	B2	4/2011	Bacon	
D667,222	S	9/2012	Sanchez	
D766,576	S	9/2016	Hantman	
9,622,560	B2	4/2017	Papas	
D827,299	S *	9/2018	Vickery	D3/246
2005/0077135	A1	4/2005	Drew et al.	
2007/0193667	A1	8/2007	Beakey	
2011/0297498	A1	12/2011	Yu	
2012/0199594	A1	8/2012	Pemarella	
2014/0110202	A1	4/2014	Vesterby	
2017/0215537	A1	8/2017	Yu	

* cited by examiner

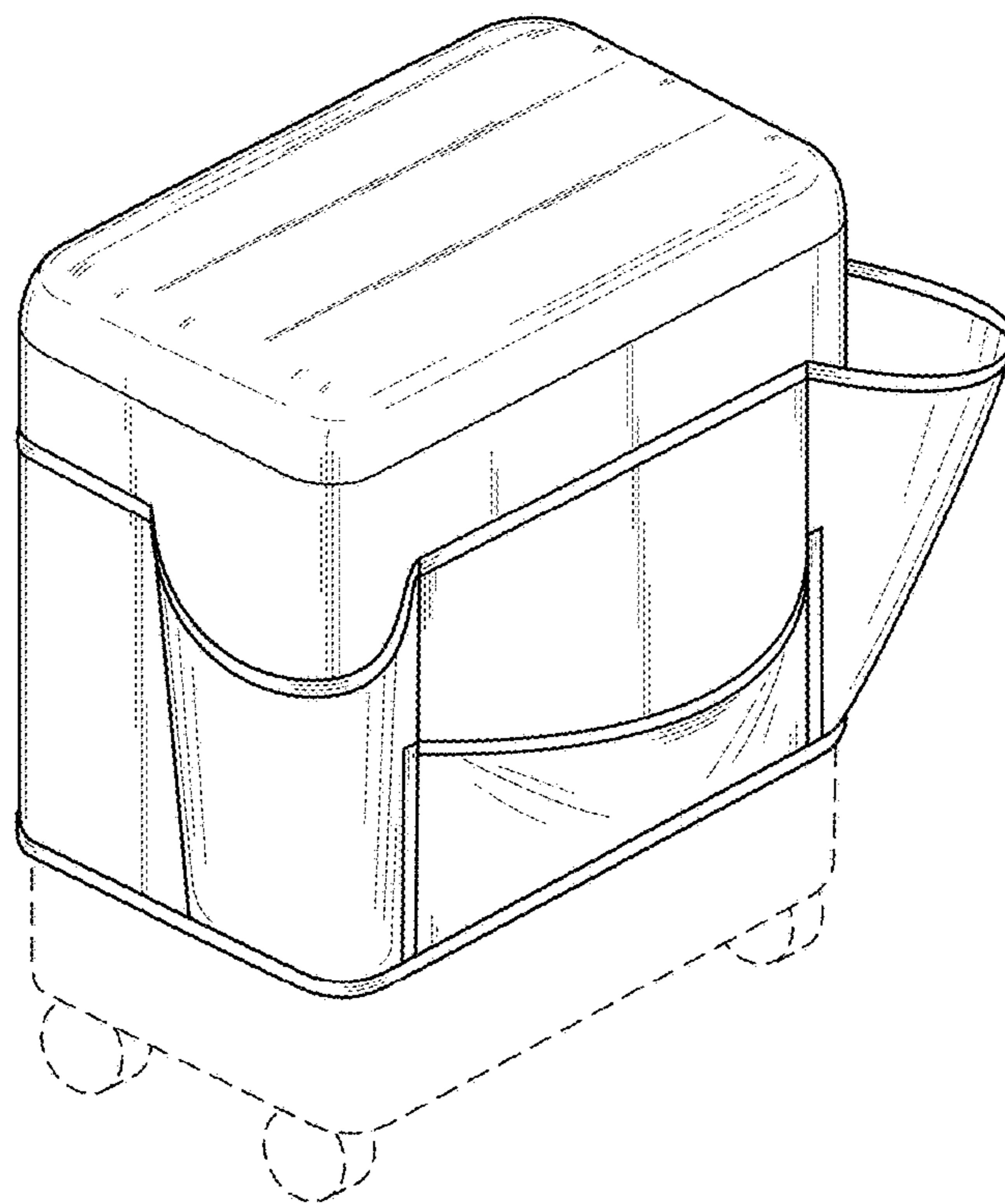


FIG. 1

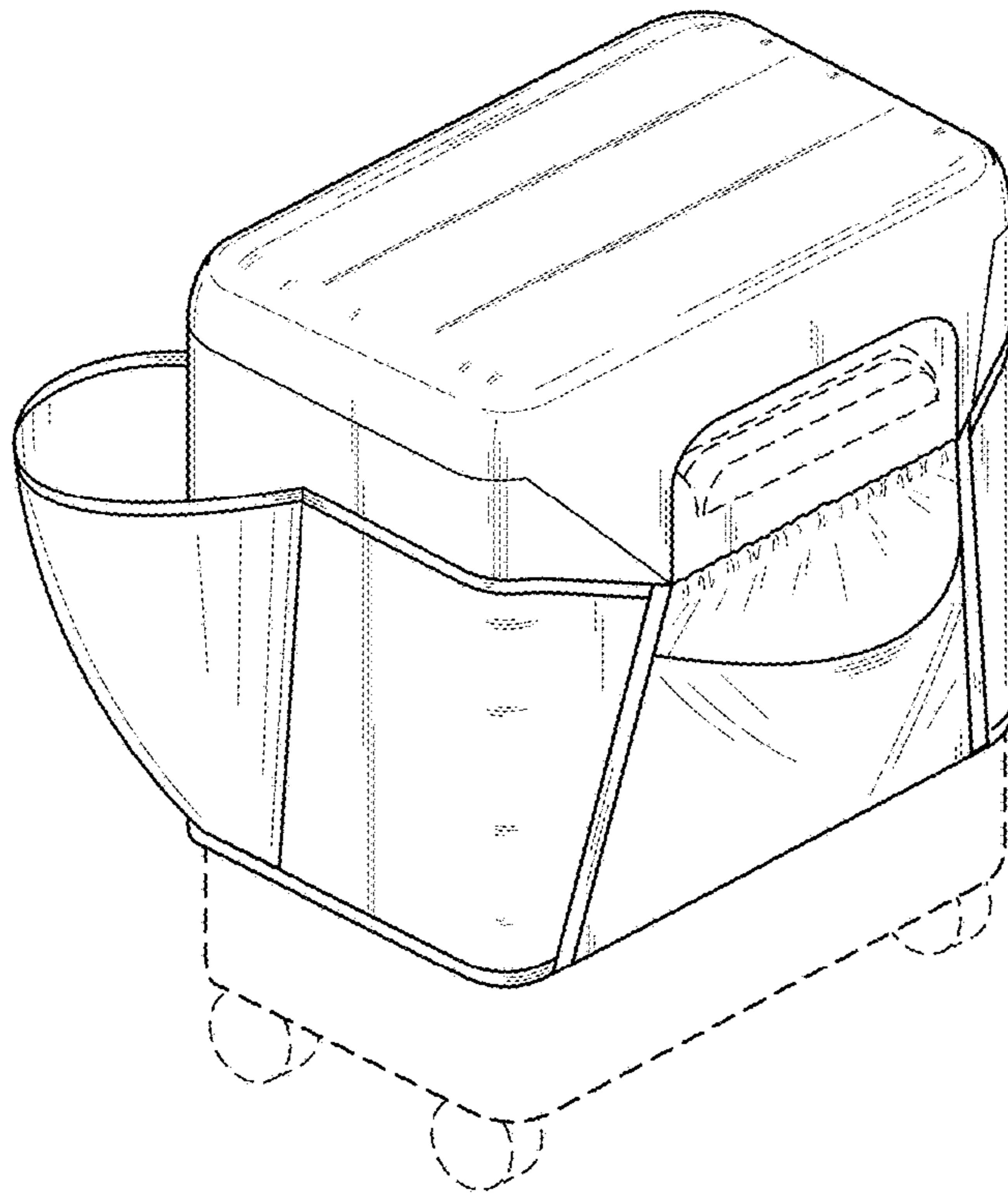


FIG. 2

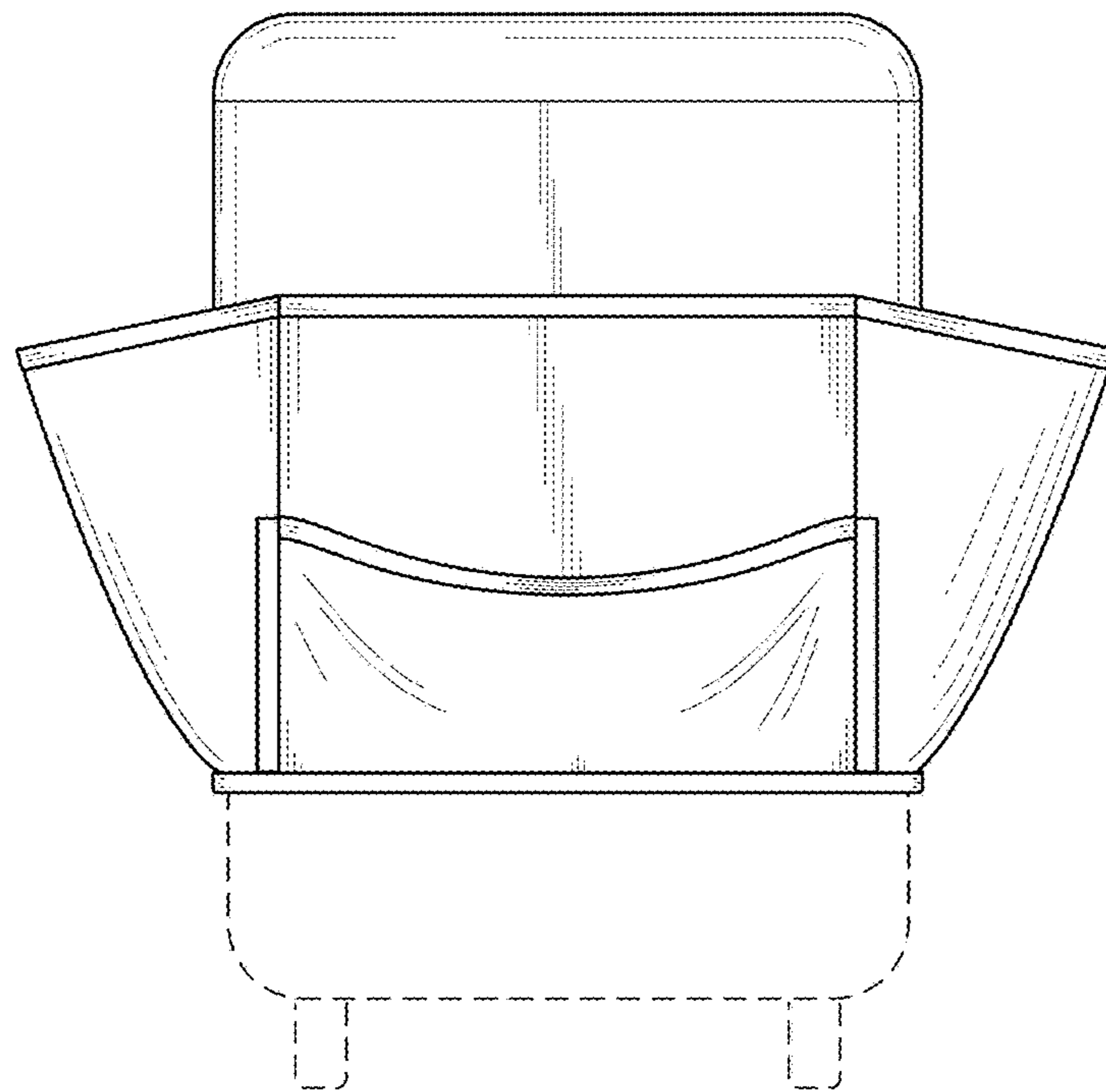


FIG. 3

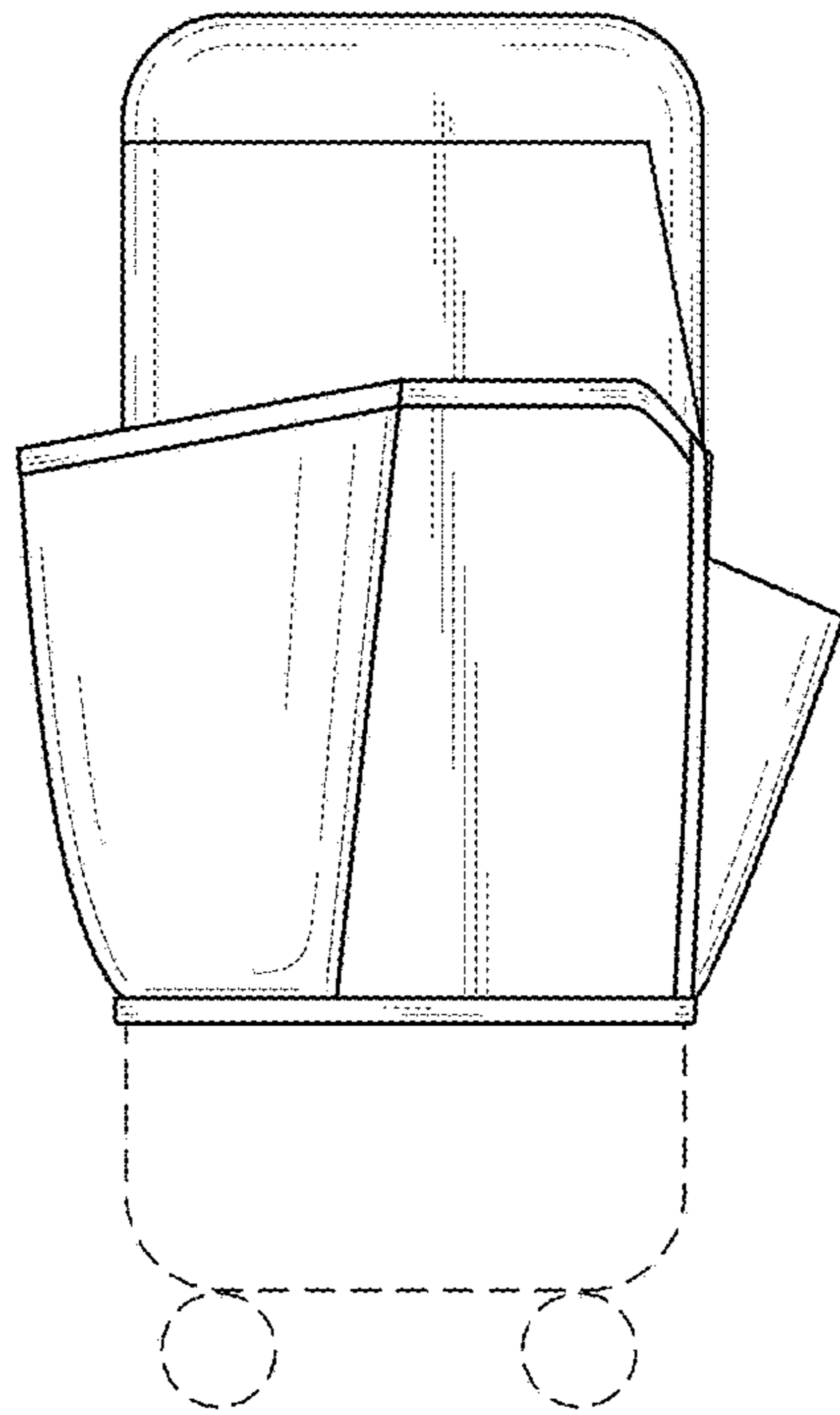


FIG. 4

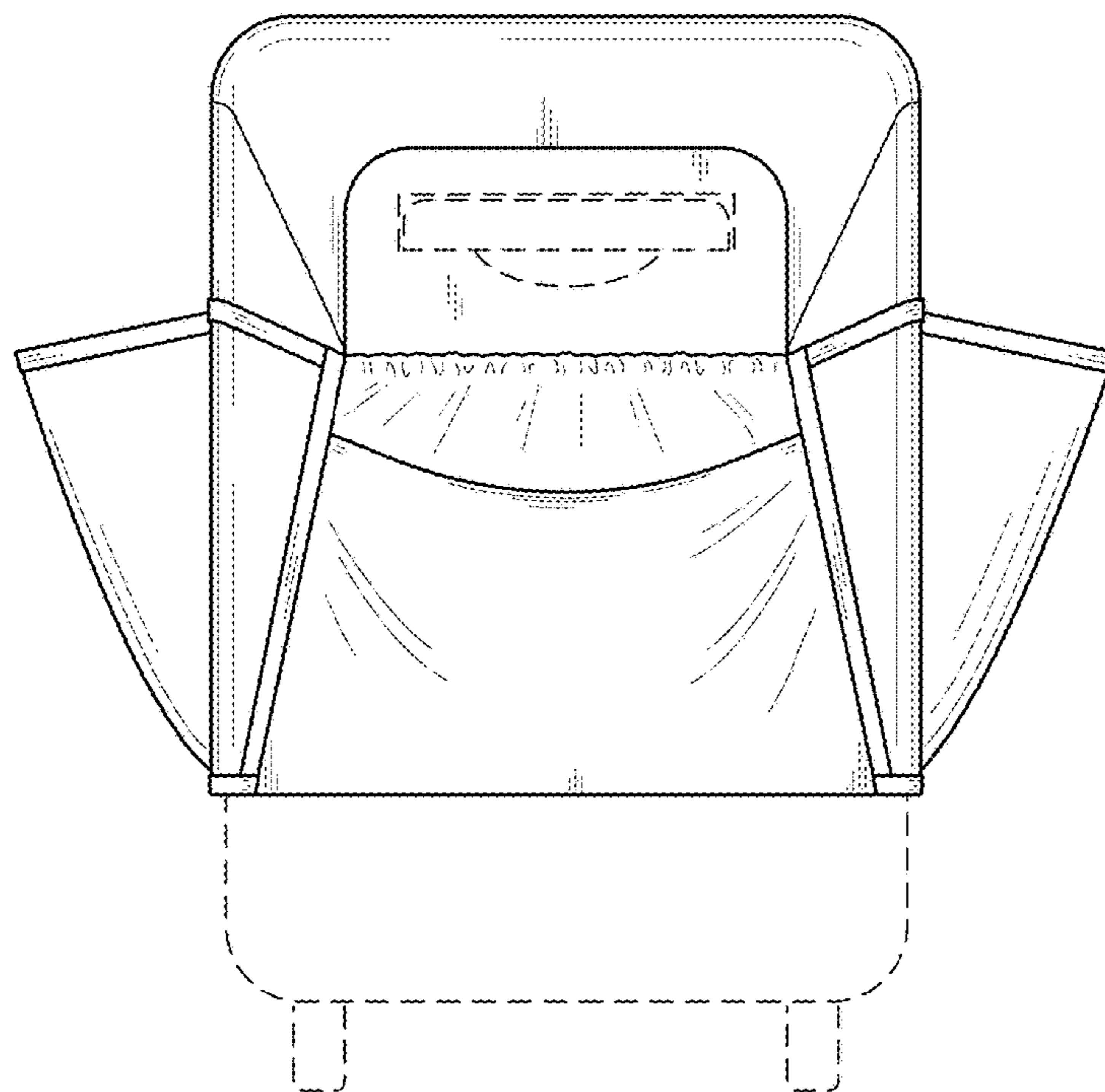


FIG. 5

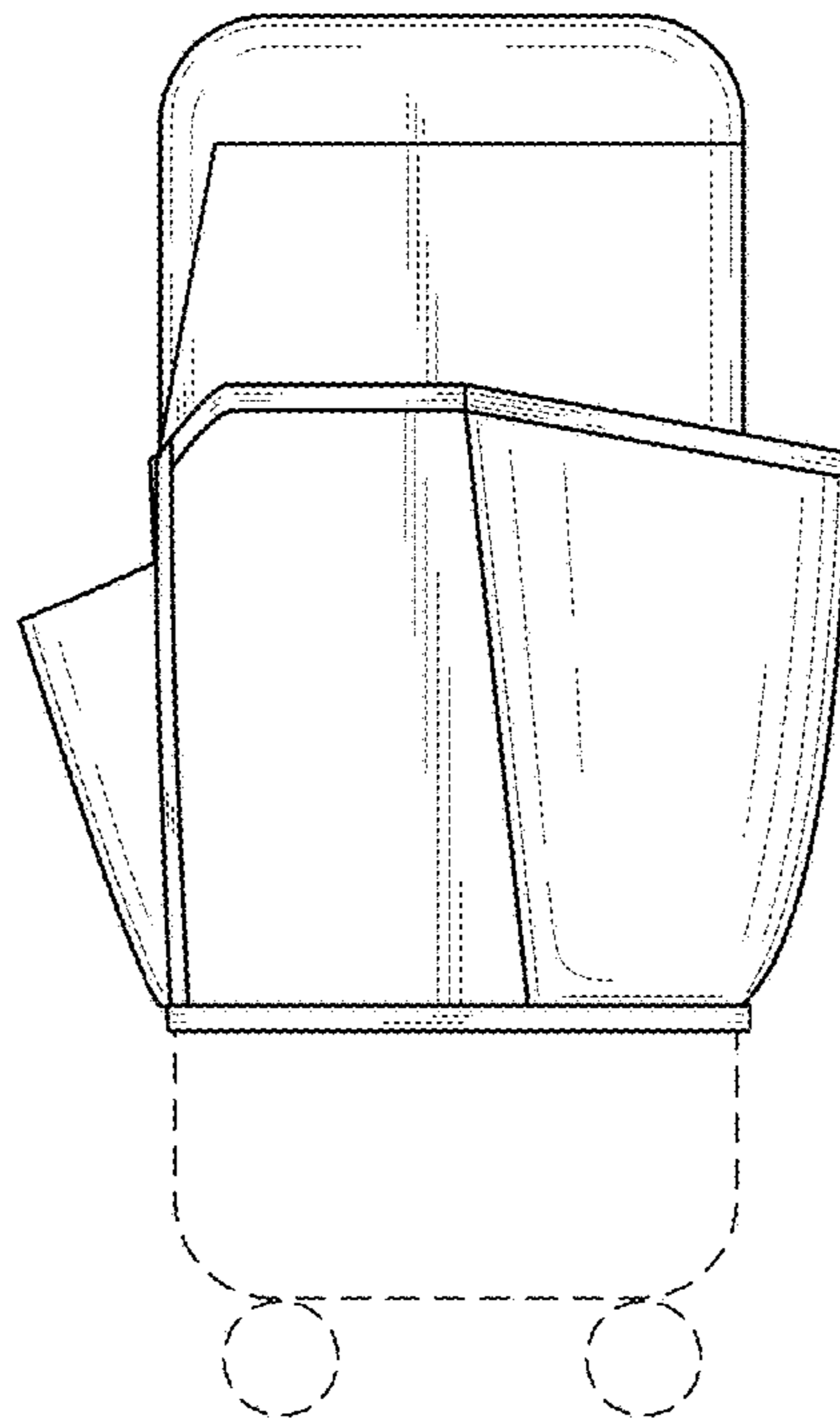


FIG. 6

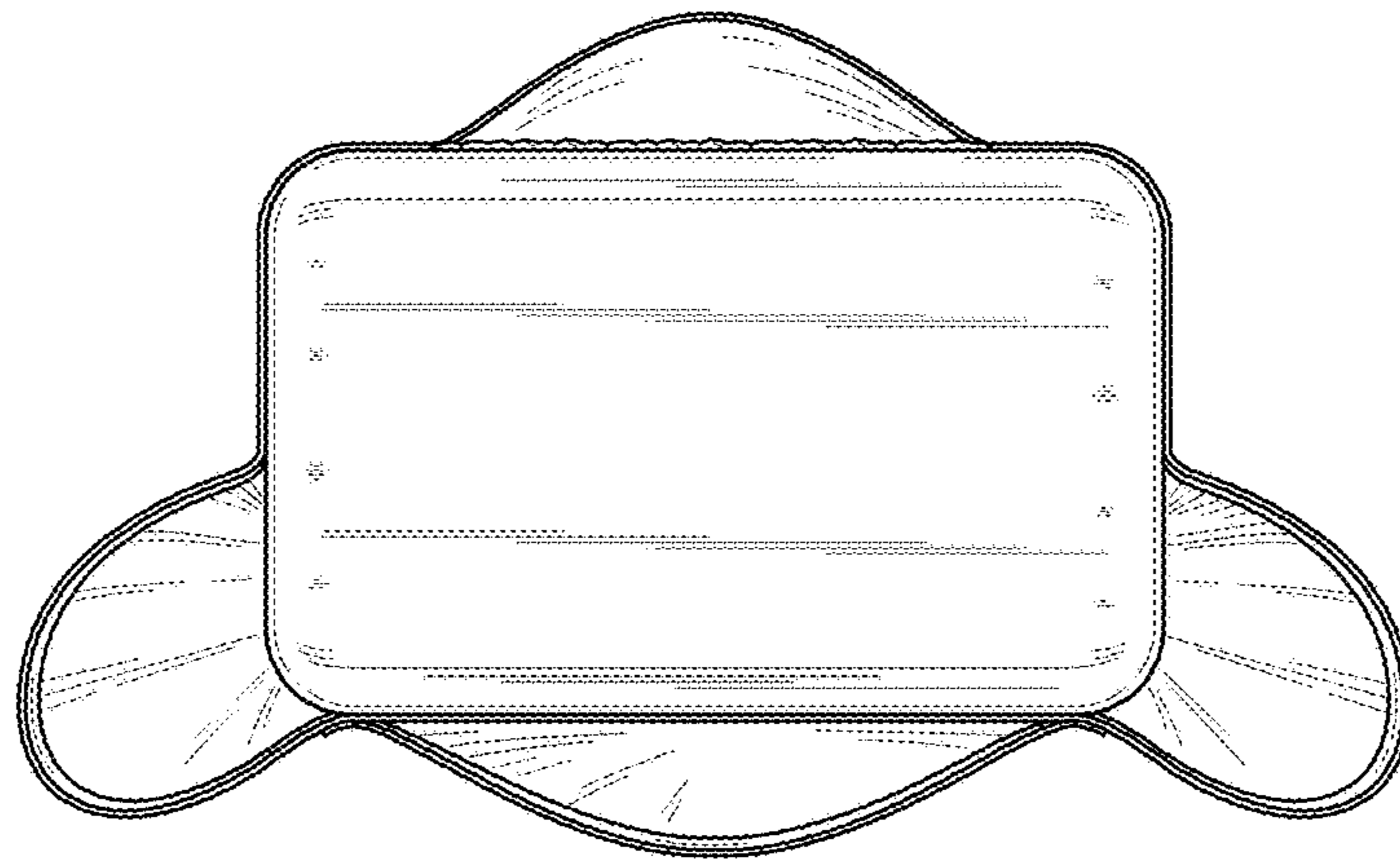


FIG. 7

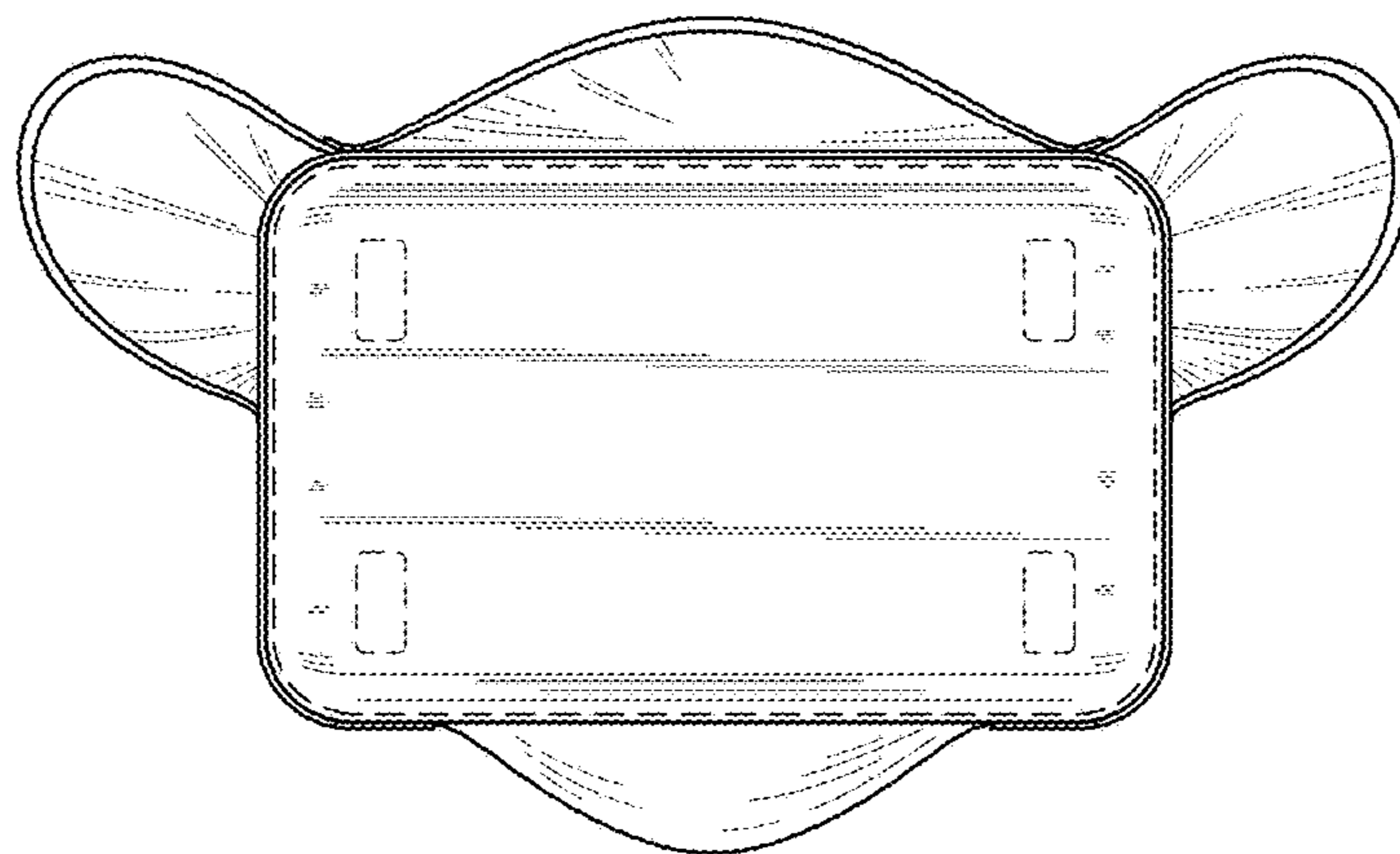


FIG. 8

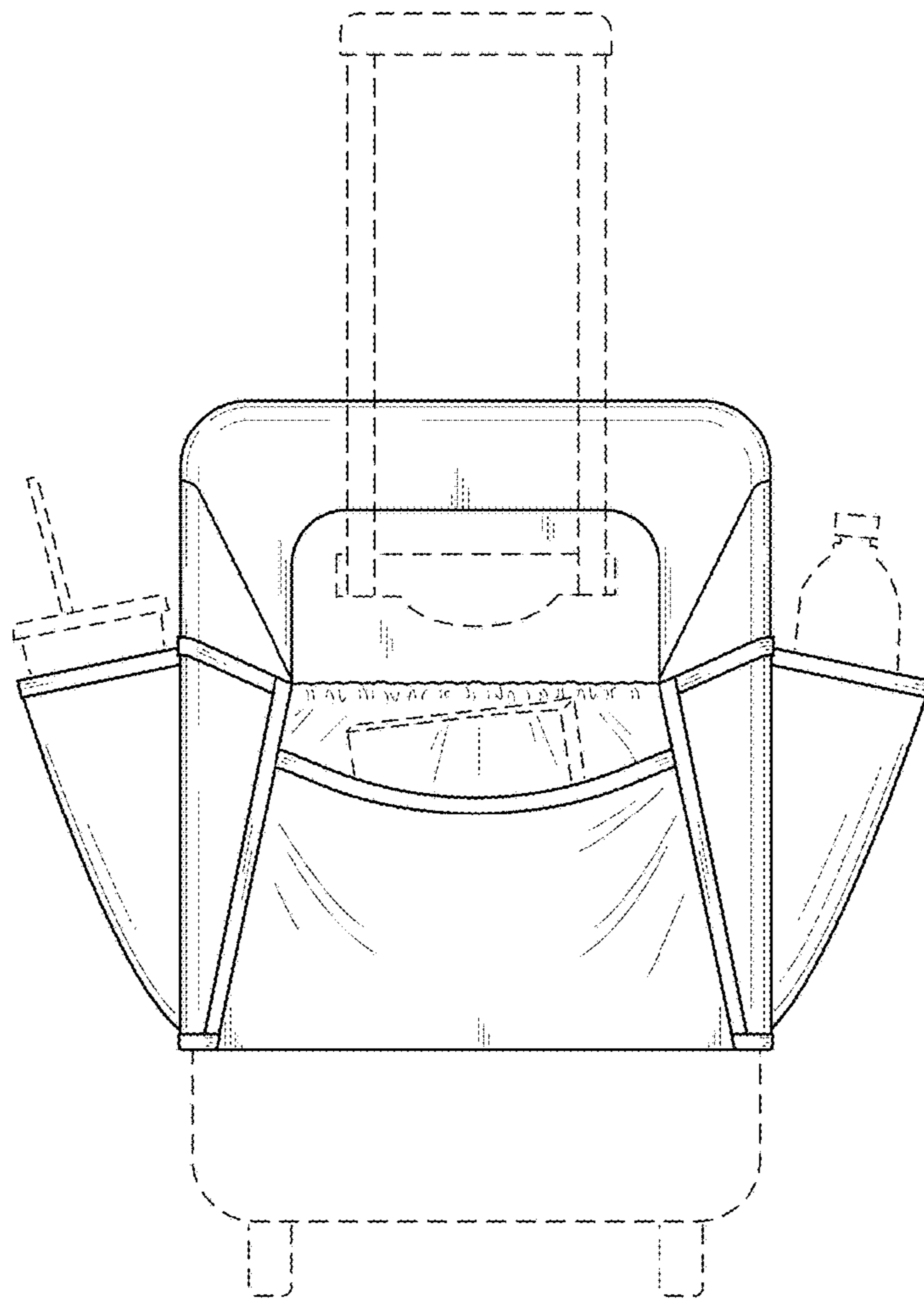


FIG. 9

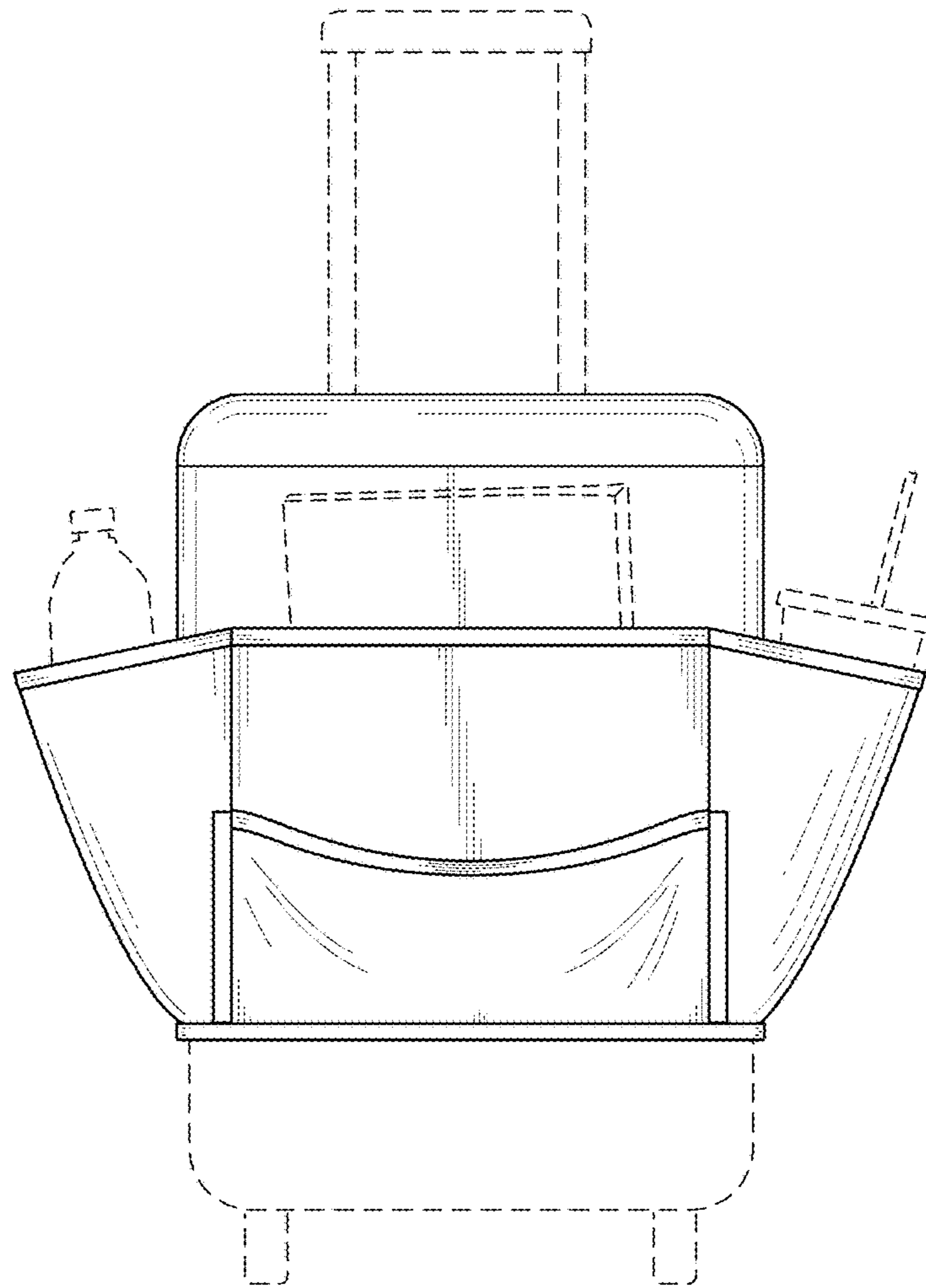


FIG. 10