



US00D858987S

(12) **United States Design Patent**
Zhang

(10) **Patent No.:** **US D858,987 S**

(45) **Date of Patent:** **** Sep. 10, 2019**

(54) **BAG FOR NOTEBOOK COMPUTERS**

(71) Applicant: **Shenzhen Tomtoc Technology Co., Ltd.**, Guangdong (CN)

(72) Inventor: **Hai Zhang**, Guangdong (CN)

(**) Term: **15 Years**

(21) Appl. No.: **29/658,185**

(22) Filed: **Jul. 30, 2018**

(51) **LOC (12) Cl.** **03-01**

(52) **U.S. Cl.**
USPC **D3/283**; D3/289

(58) **Field of Classification Search**
USPC D3/201, 215, 216, 217, 218, 222, 273,
D3/276, 283, 284, 285, 289, 290, 291,
D3/900
CPC A45C 3/02; A45C 2003/008; A45C 5/03;
A45C 2011/003; A45C 2200/05; A45C
2001/006; A45C 1/04; A45C 13/185;
A45C 2200/10; A45C 15/00; A45C 5/06;
A45F 2200/0525
See application file for complete search history.

(56) **References Cited**

U.S. PATENT DOCUMENTS

D270,872 S *	10/1983	Katz	D3/287
D284,623 S *	7/1986	Gerch	D3/274
D302,211 S *	7/1989	Sears	D3/283
D317,379 S *	6/1991	Whitworth	D3/285
D352,606 S *	11/1994	Cylvick	D3/203.1
D394,552 S *	5/1998	Melk	D3/287
D441,533 S *	5/2001	Tawil	D3/276
6,237,766 B1 *	5/2001	Hollingsworth	A45C 13/02 190/103
D478,420 S *	8/2003	Li	D3/287
D566,130 S *	4/2008	Entner	D14/217
D677,891 S *	3/2013	Janus	D3/289
D775,825 S *	1/2017	Chehebar	D3/276

D805,299 S *	12/2017	Zhang	D3/283
2004/0065519 A1 *	4/2004	Morszeck	A45C 5/02 190/110
2016/0088914 A1 *	3/2016	Marabotto	A45C 5/14 190/18 A

OTHER PUBLICATIONS

Amazon, "tomtoc 360° Protection Laptop Sleeve . . .", First on sale Nov. 22, 2018. (<https://www.amazon.com/dp/B07KS5NZF8/>) (Year: 2018).*

Amazon, "canvaslife Gray Canvas Vertical Style Water Resistant Laptop Sleeve . . .", First on sale Mar. 16, 2017. (<https://www.amazon.com/dp/B06XP89MCC>) (Year: 2017).*

(Continued)

Primary Examiner — Jennifer Rivard

Assistant Examiner — April Rivas

(74) *Attorney, Agent, or Firm* — Prakash Nama; Global IP Services, PLLC

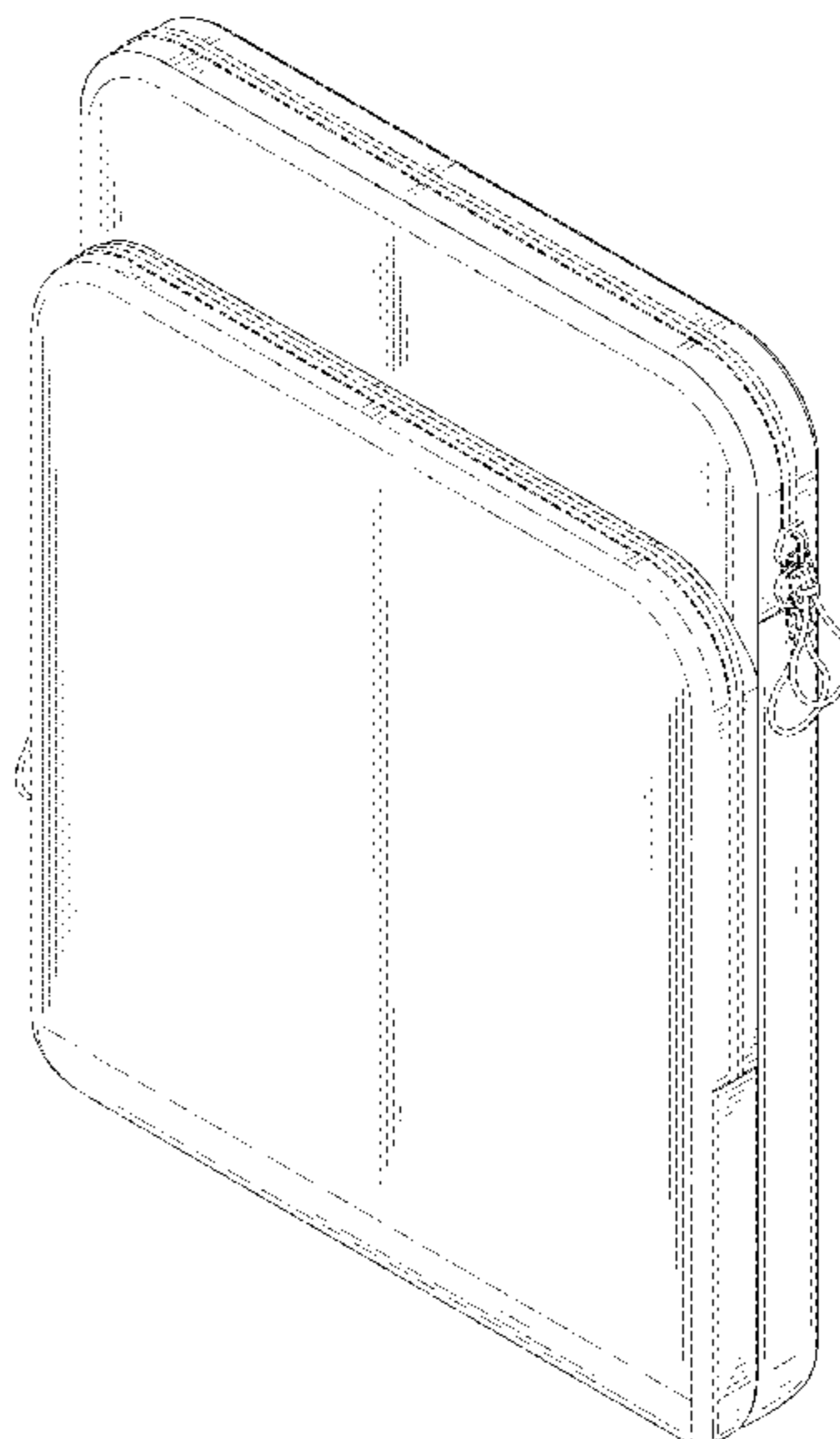
(57) **CLAIM**

The ornamental design for a bag for notebook computers, as shown and described.

DESCRIPTION

FIG. 1 is a perspective view of a bag for notebook computers showing my new design; FIG. 2 is a front elevational view thereof; FIG. 3 is a rear elevational view thereof; FIG. 4 is a left side view thereof; FIG. 5 is a right side view thereof; FIG. 6 is a top plan view thereof; and, FIG. 7 is a bottom plan view thereof. The broken lines illustrate portions of the bag for notebook computers and form no part of the claimed design.

1 Claim, 7 Drawing Sheets



(56)

References Cited

OTHER PUBLICATIONS

Targus, "12" Rugged Vertical Slipcase", cached on Jun. 15, 2017. (<https://www.targus.com/au/12-rugged-vertical-slip-case>) (Year: 2017).*

Google shopping, "TechProducts360 Vertical Vault 13—Black TPCCX-152-1301", Reviewed on Jul. 11, 2018. (<https://www.google.com/shopping/product/3477946099338867246?q=VERTICAL+VAULT>) (Year: 2018).*

* cited by examiner

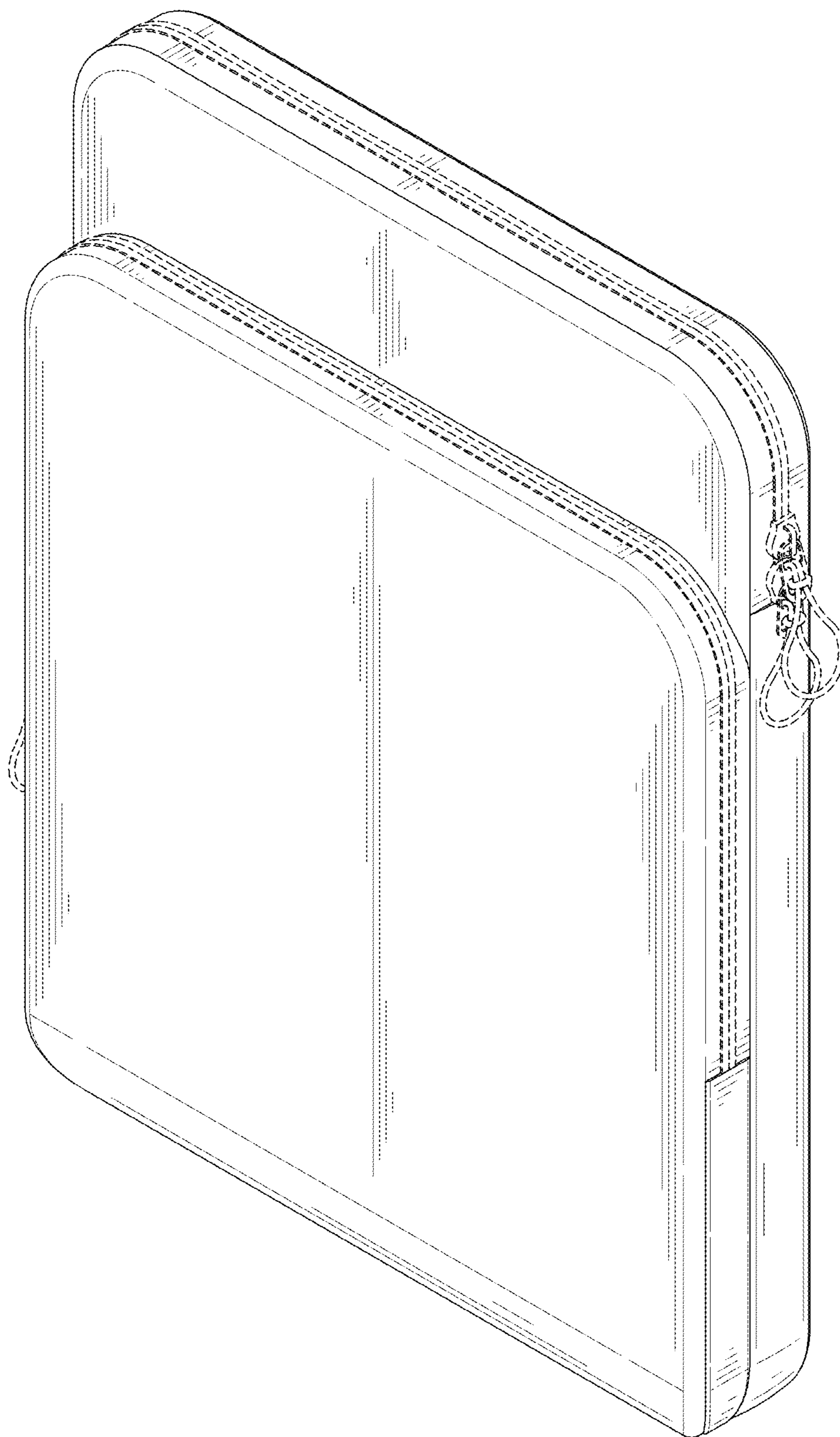


FIG. 1

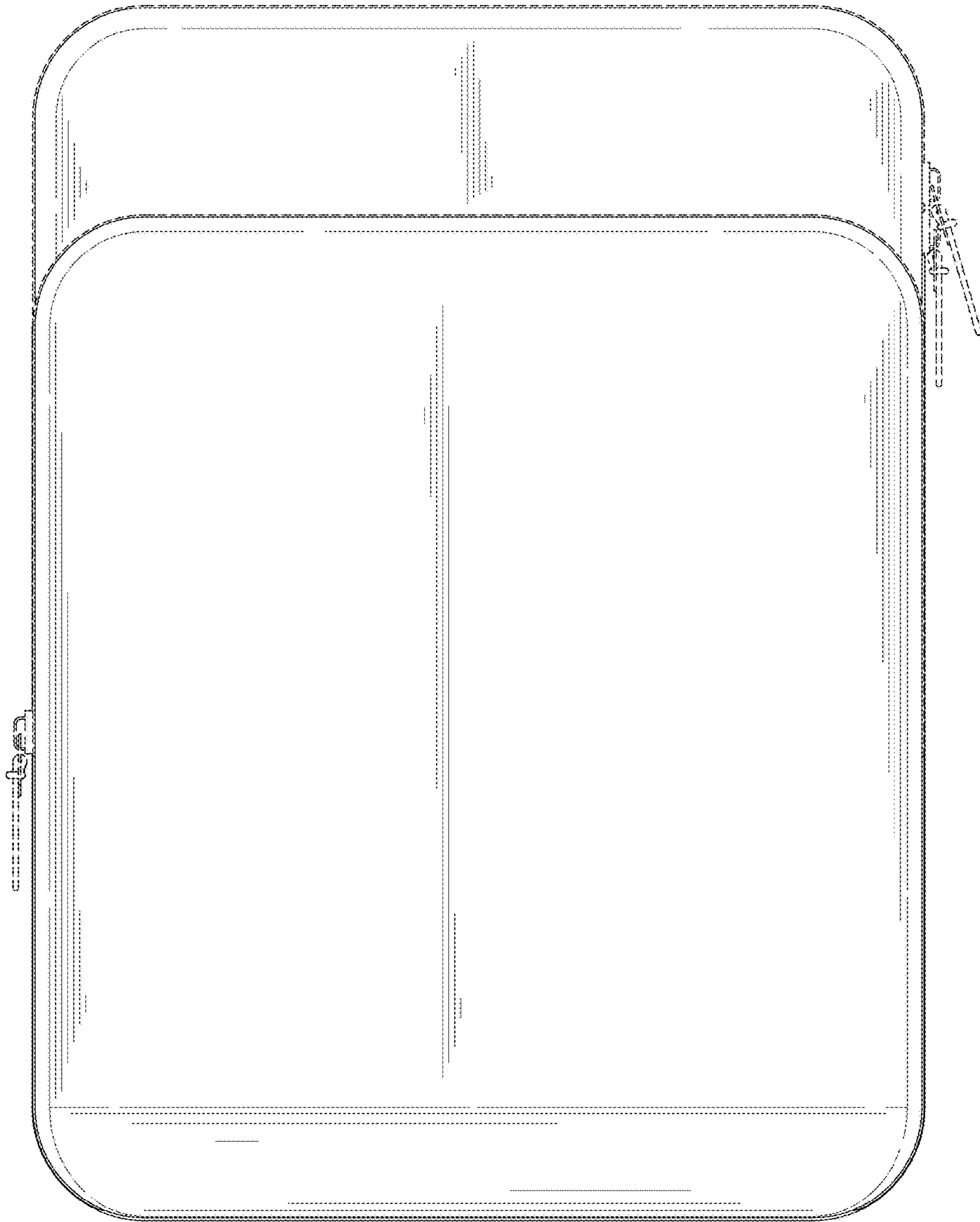


FIG. 2

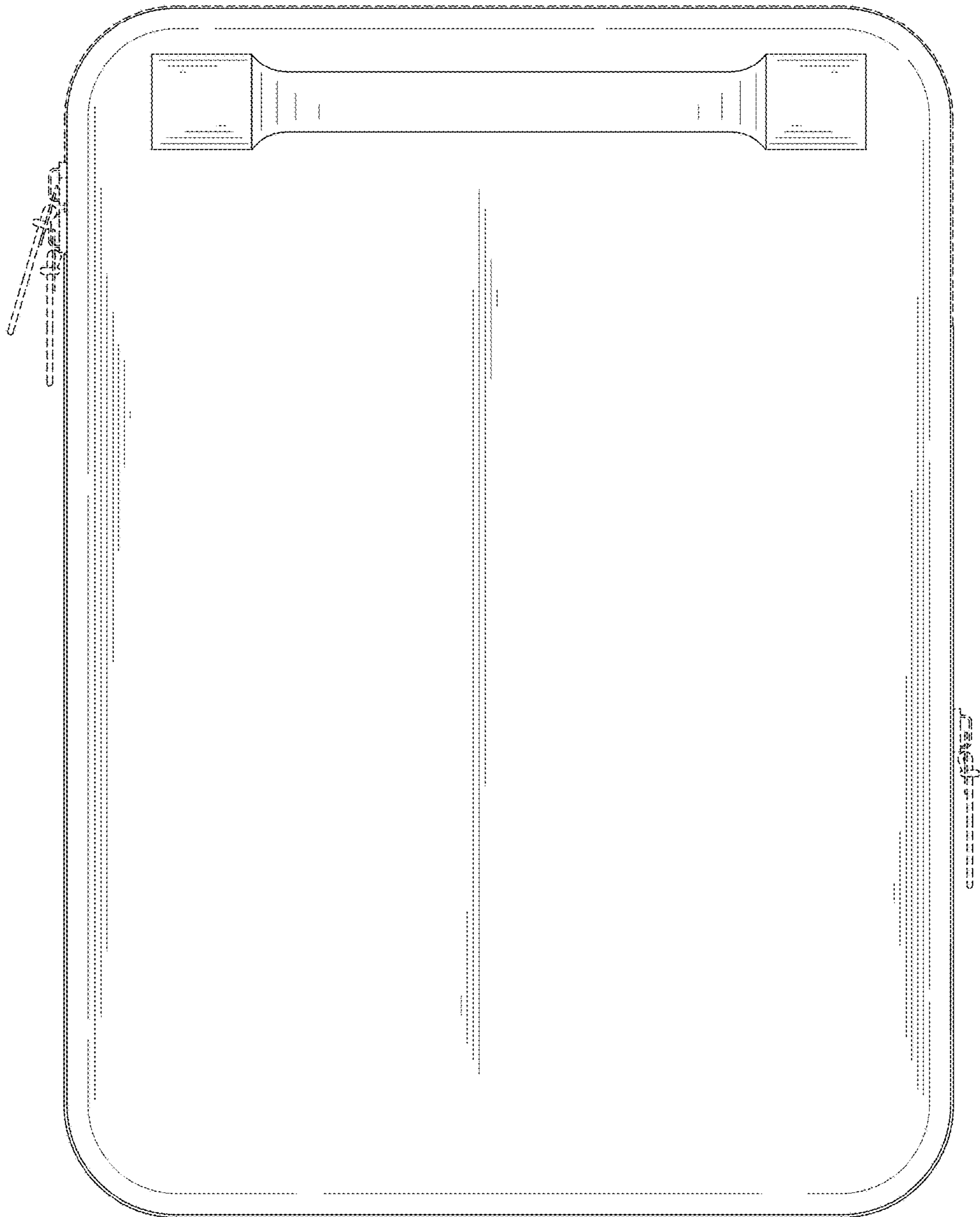


FIG. 3

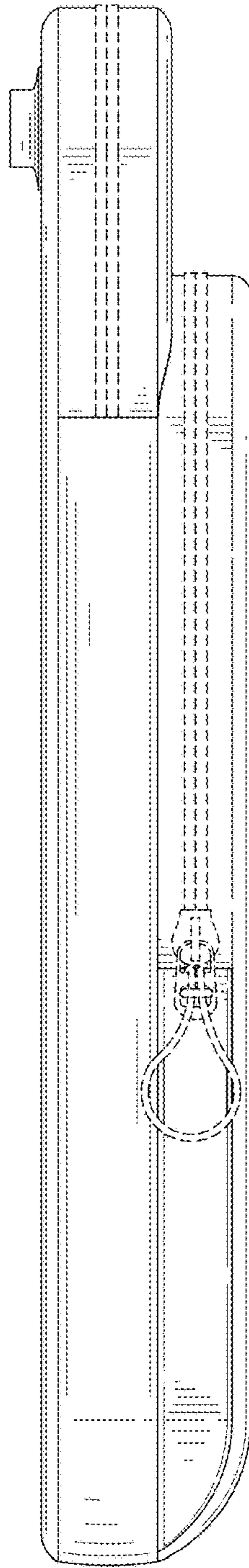


FIG. 4

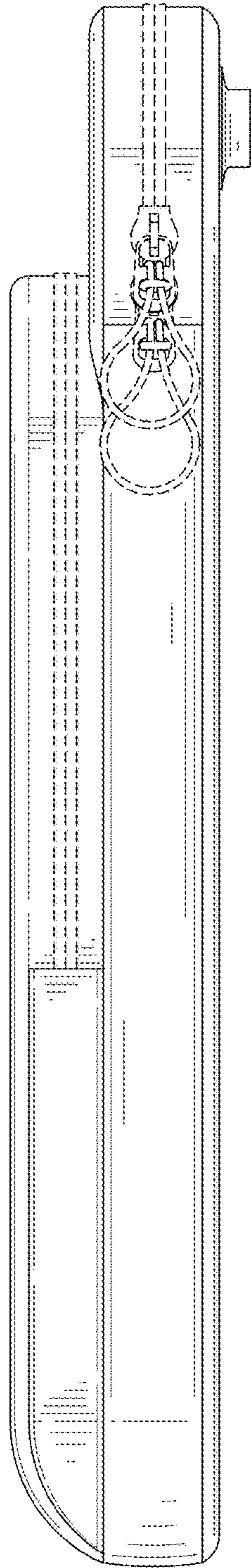


FIG. 5

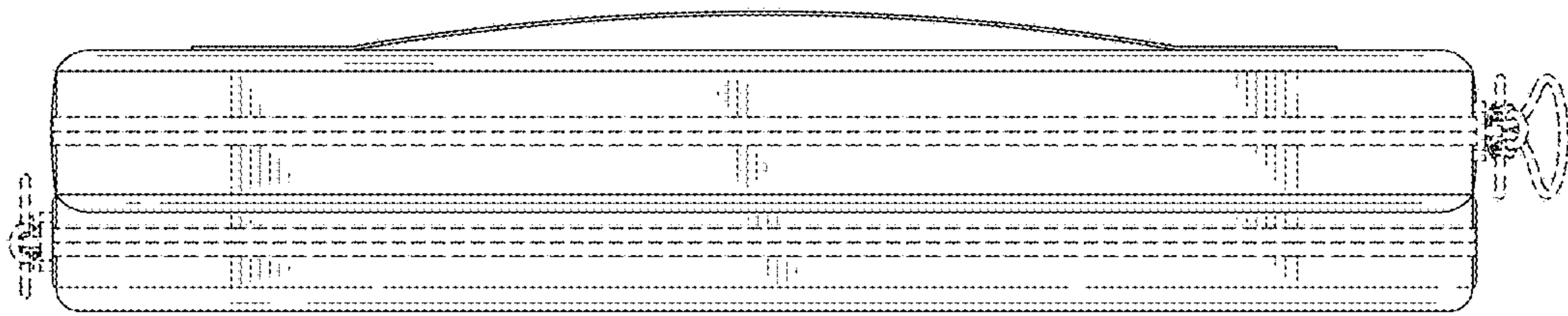


FIG. 6

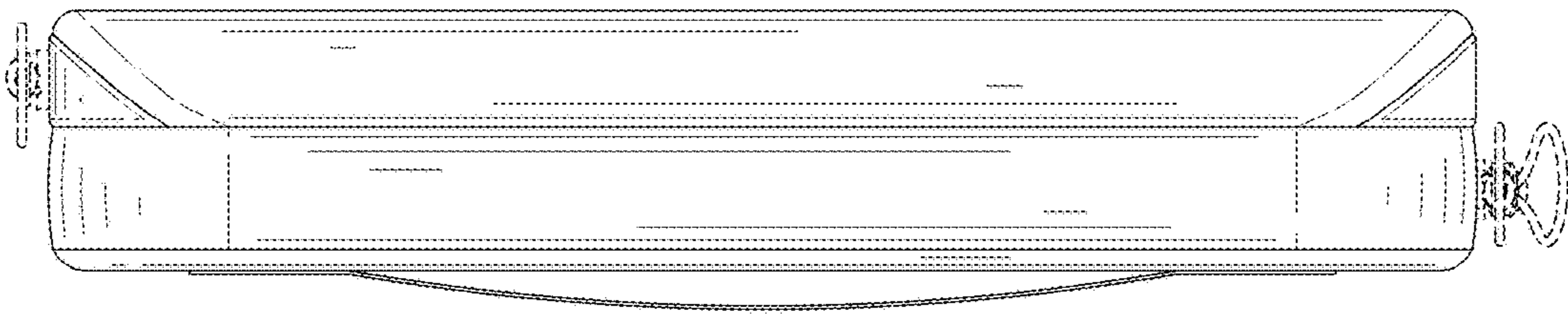


FIG. 7