



US00D858986S

(12) **United States Design Patent** (10) **Patent No.:** **US D858,986 S**
Shalgi (45) **Date of Patent:** **** Sep. 10, 2019**

- (54) **ROLLING DUFFLE BAG**
- (71) Applicant: **Travel-Light LLC**, El Segundo, CA (US)
- (72) Inventor: **Netta Shalgi**, Tel Aviv (IL)
- (73) Assignee: **Travel-Light LLC**, El Segundo, CA (US)
- (**) Term: **15 Years**
- (21) Appl. No.: **29/622,310**
- (22) Filed: **Oct. 16, 2017**
- (51) **LOC (12) Cl.** **03-01**
- (52) **U.S. Cl.**
USPC **D3/279**; D3/290
- (58) **Field of Classification Search**
USPC D3/269, 272, 273, 274, 276, 277, 279,
D3/280, 281, 283, 284, 285, 289, 302,
D3/900, 902, 904, 271.2, 290
CPC A45C 5/00; A45C 5/03; A45C 2005/032;
A45C 5/08; A45C 5/14
See application file for complete search history.

D808,164 S * 1/2018 Summers D3/279
D809,297 S * 2/2018 Ehret D3/279
9,894,972 B2 * 2/2018 Davis A45C 7/0022
D812,375 S * 3/2018 Albert D3/276
2003/0196860 A1 * 10/2003 Be A45C 5/02
190/18 A

OTHER PUBLICATIONS

Kickstarter, "Unrivaled, Smart, Space Saving Luggage and Backpacks" by user G-RO. Started on Oct. 17, 2017. (<https://www.kickstarter.com/projects/netta/g-ro-companion-office-backpacks-and-check-in-bags/description>).*

* cited by examiner

Primary Examiner — Jennifer Rivard
Assistant Examiner — April Rivas
(74) *Attorney, Agent, or Firm* — Sprinkle IP Law Group

(57) **CLAIM**

The ornamental design for a rolling duffel bag, as shown and described.

DESCRIPTION

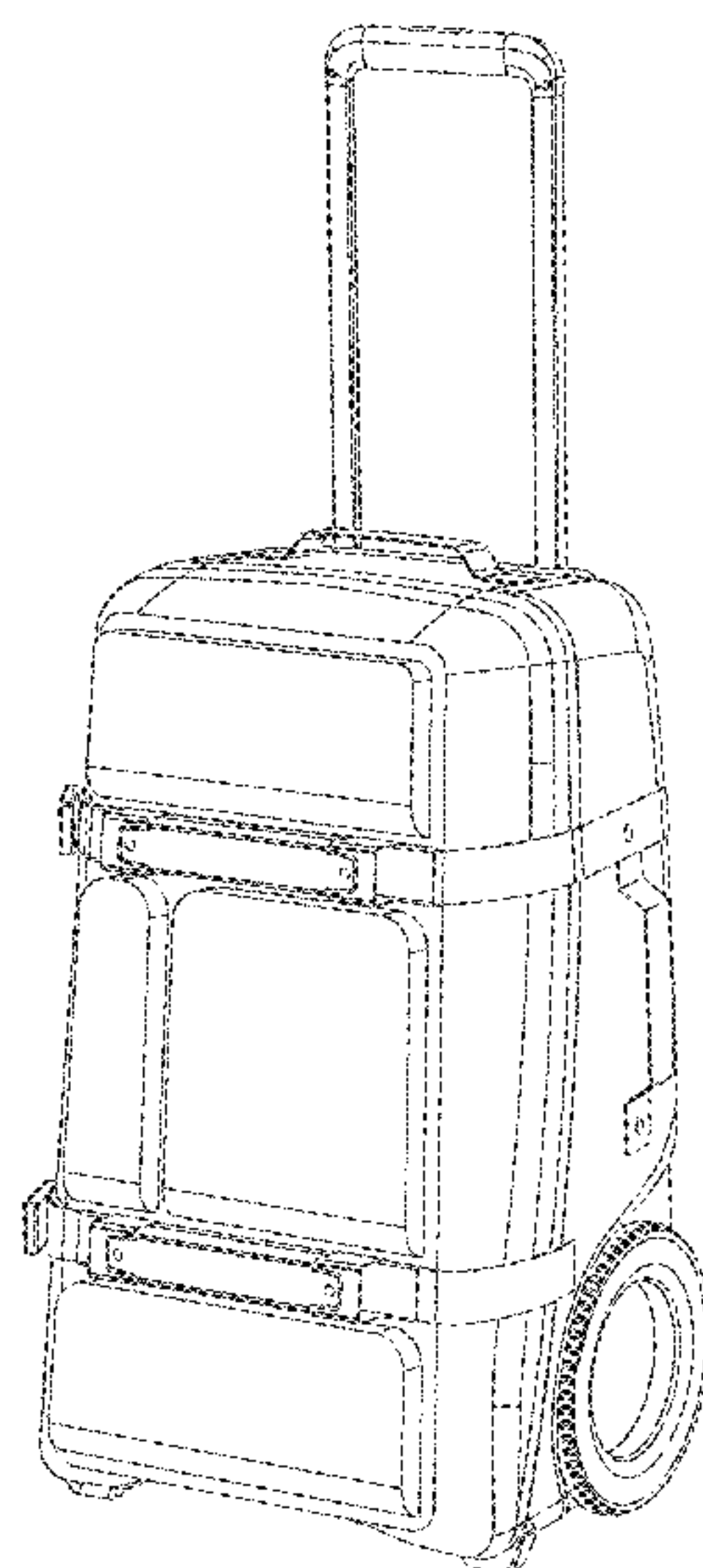
FIG. 1 is a front perspective view of a rolling duffel bag with two handles, one of which is hidden from view, showing an embodiment of the new design;
FIG. 2 is another front perspective view of the new design;
FIG. 3 is a rear perspective view of the new design;
FIG. 4 is another rear perspective view of the new design;
FIG. 5 is a front view of the new design;
FIG. 6 is a rear view of the new design;
FIG. 7 is a first side view of the new design;
FIG. 8 is a second side view of the new design;
FIG. 9 is a bottom view of the new design; and,
FIG. 10 is a top view of the new design.

1 Claim, 8 Drawing Sheets

(56) **References Cited**

U.S. PATENT DOCUMENTS

- D427,434 S * 7/2000 King D3/276
- D449,163 S * 10/2001 Dahlen D3/279
- D541,530 S * 5/2007 Sijmons D3/279
- D623,856 S * 9/2010 Pezzini D3/279
- D690,510 S * 10/2013 Fux B62B 1/18
D3/270
- D762,383 S * 8/2016 Sanz D3/279
- D762,977 S * 8/2016 Xu D3/279
- D803,559 S * 11/2017 Ji D3/279
- D807,638 S * 1/2018 Xu D3/279



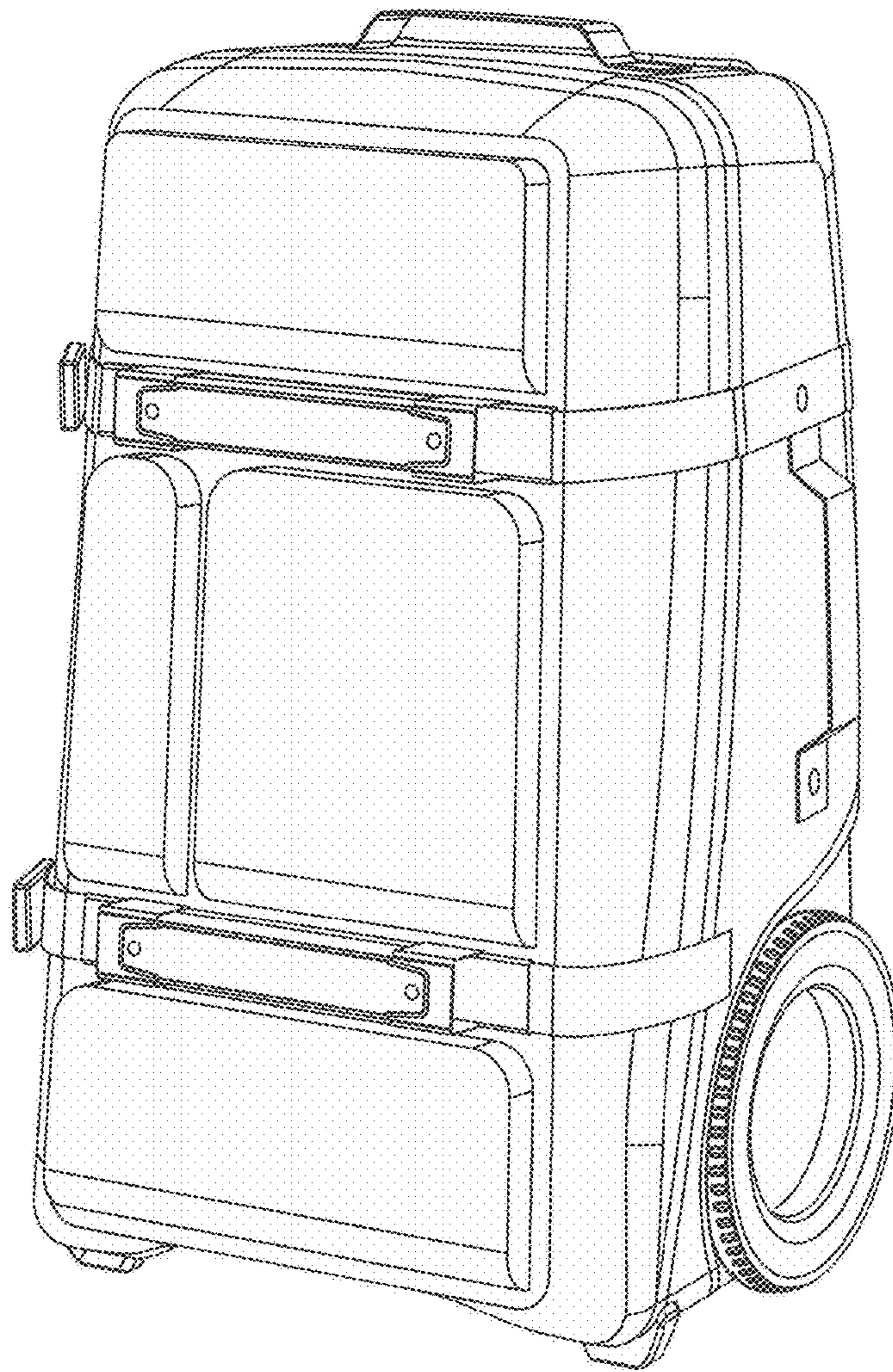


FIG. 1



FIG. 2

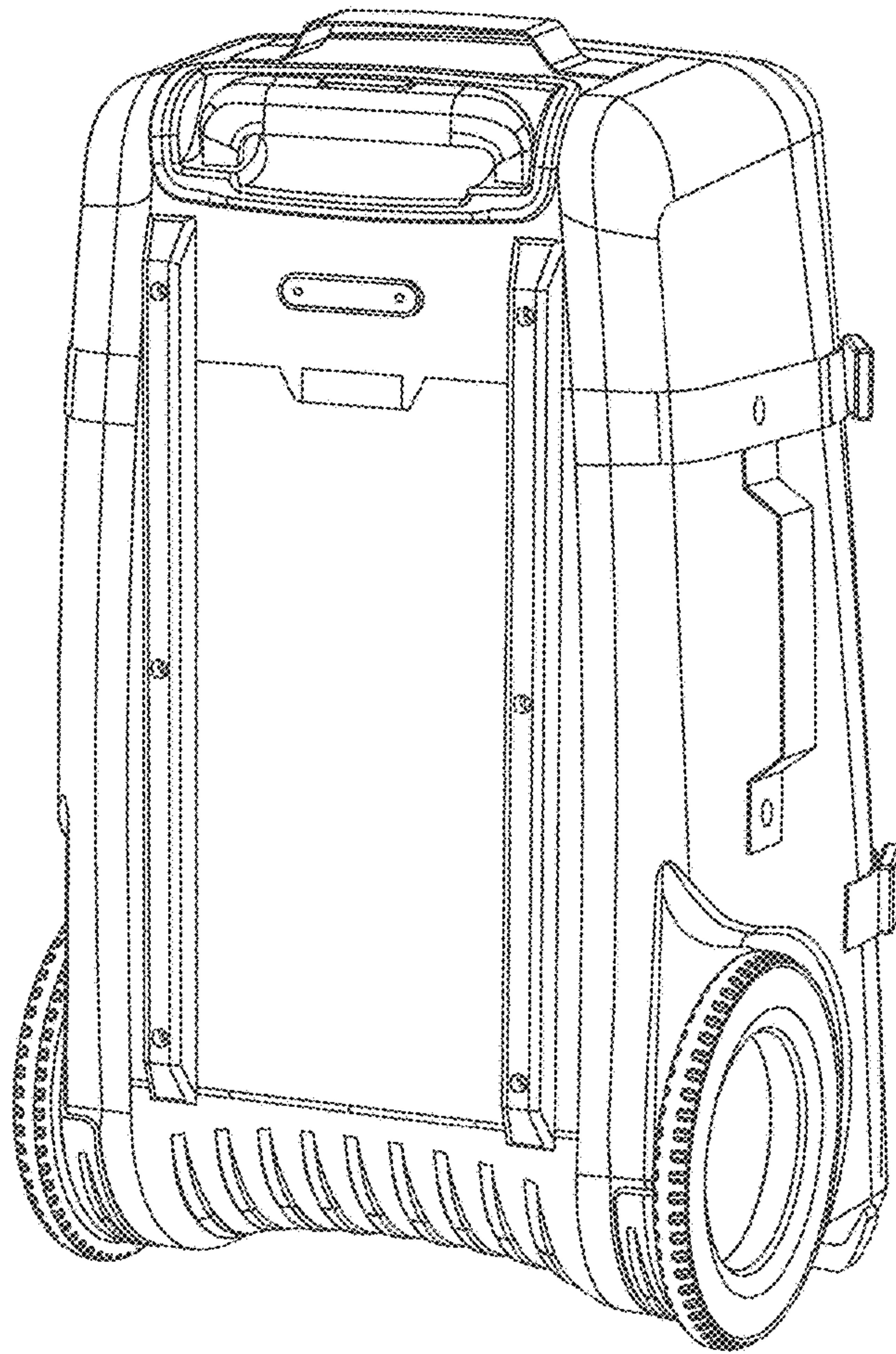


FIG. 3

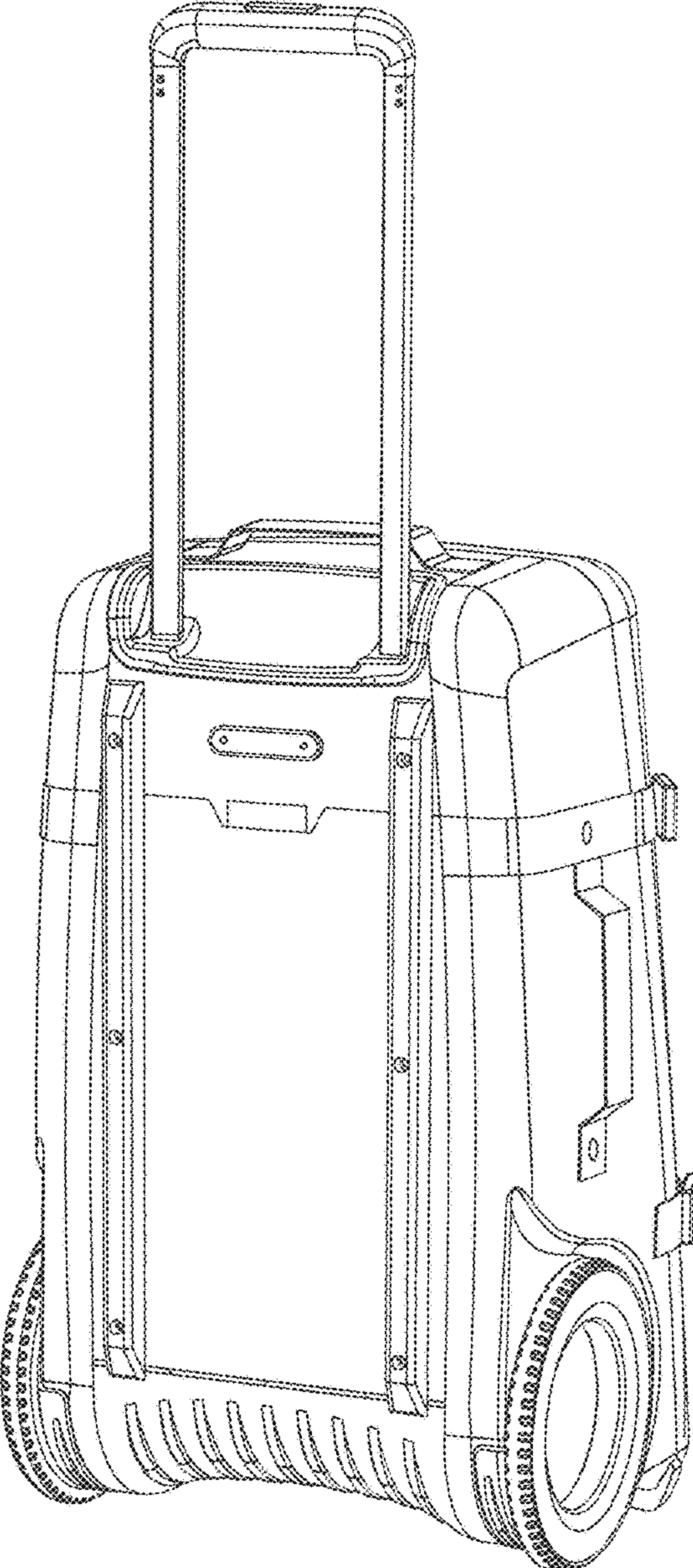


FIG. 4

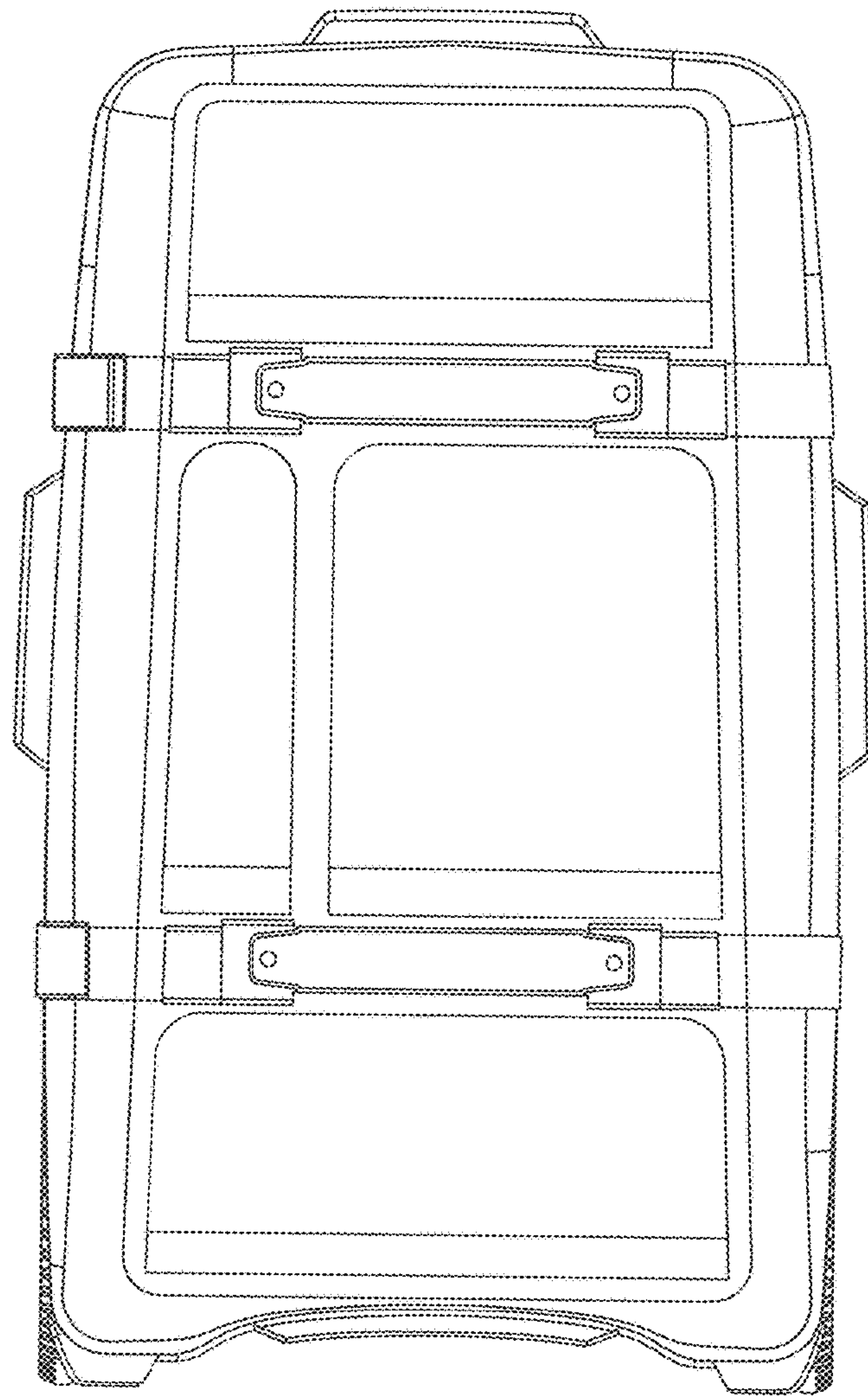


FIG. 5

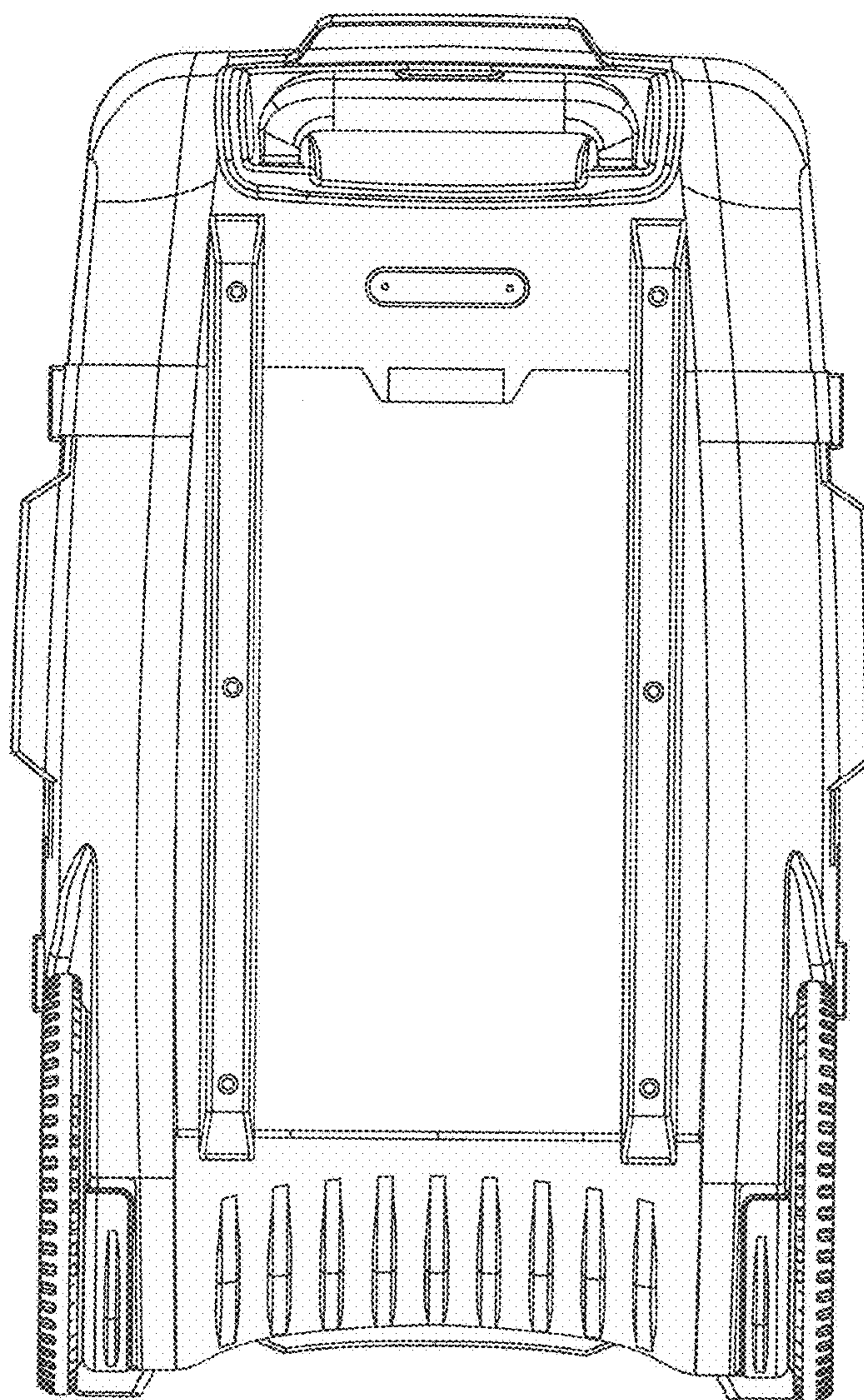


FIG. 6

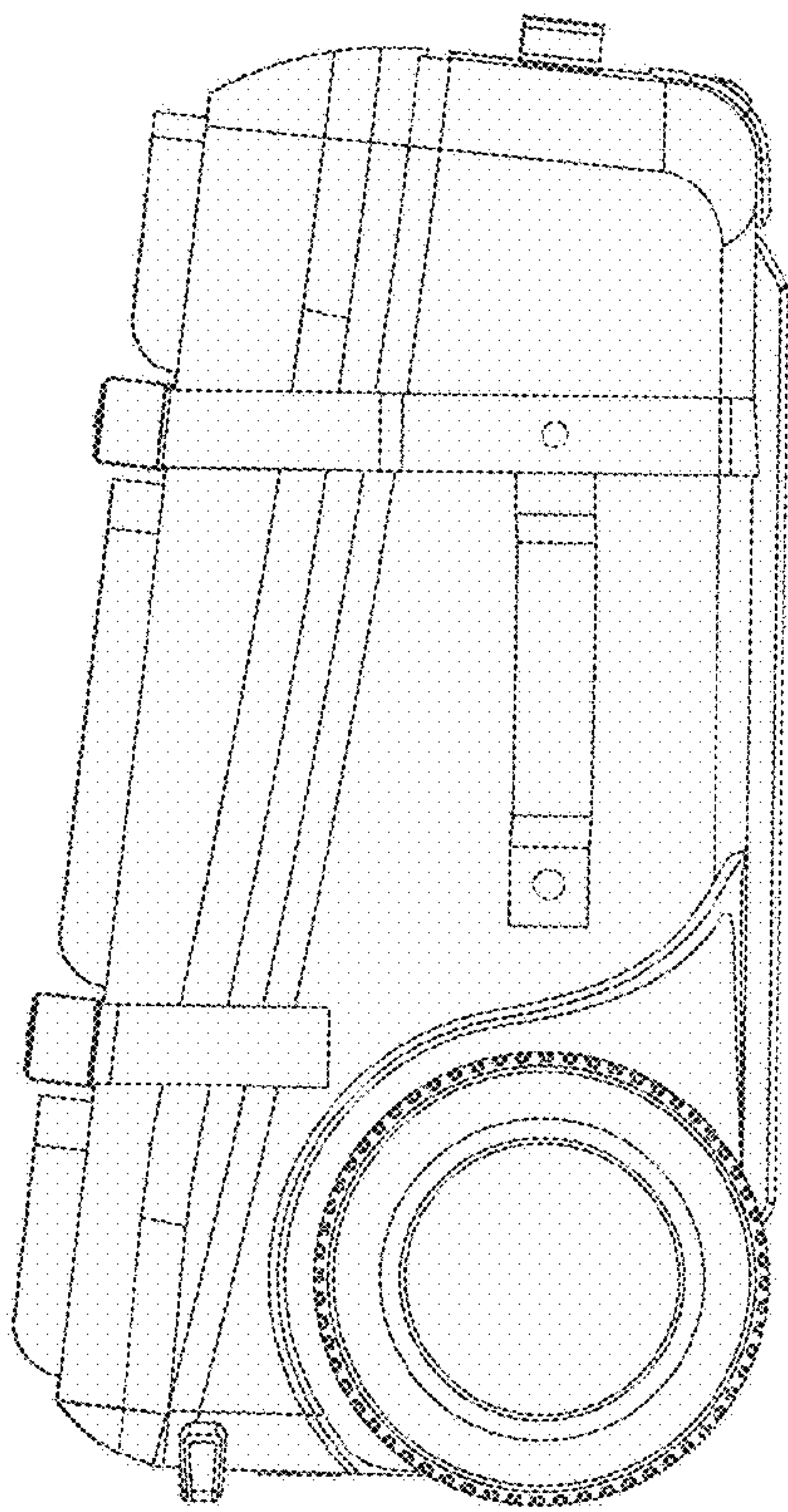


FIG. 7

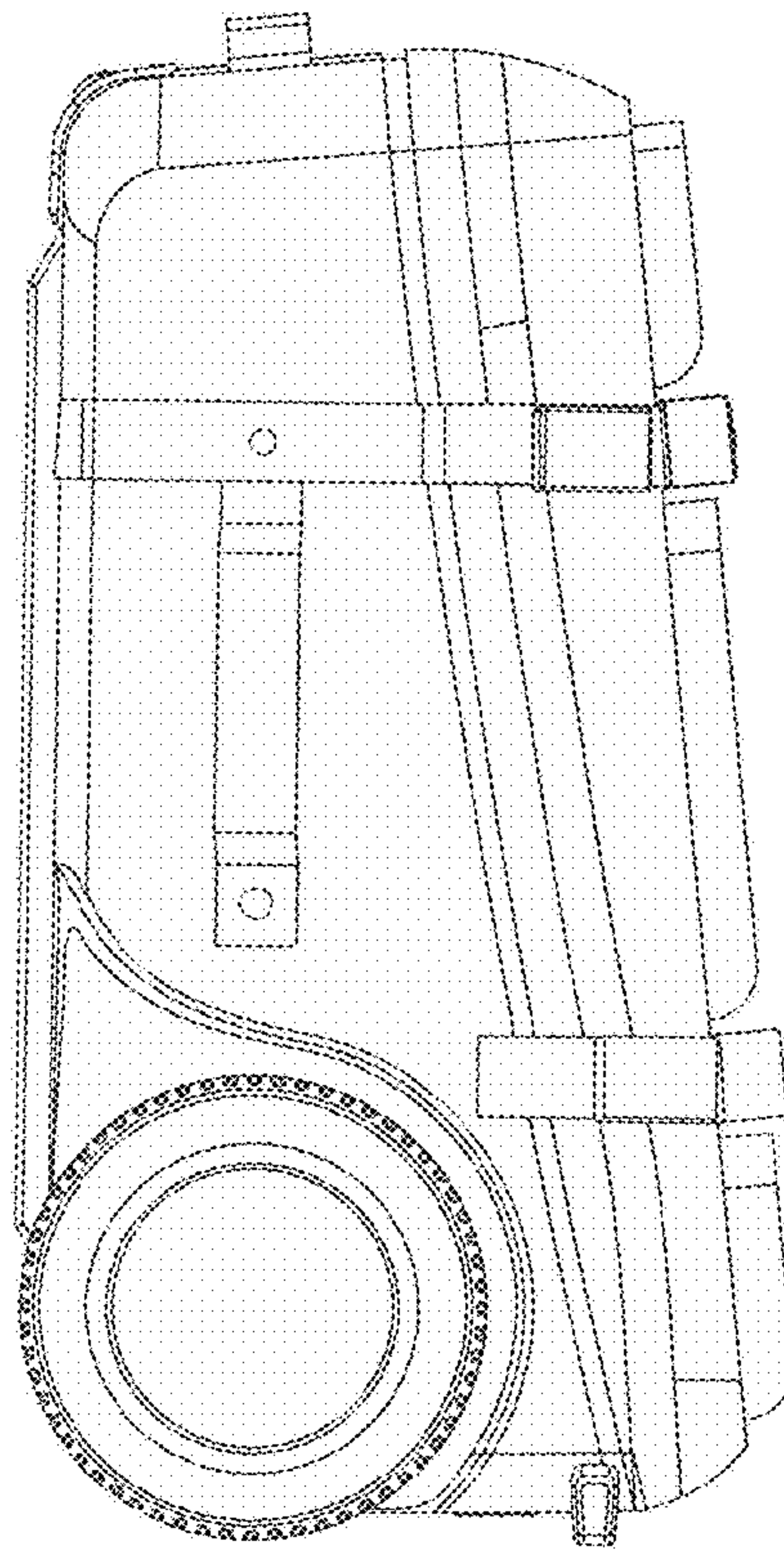


FIG. 8

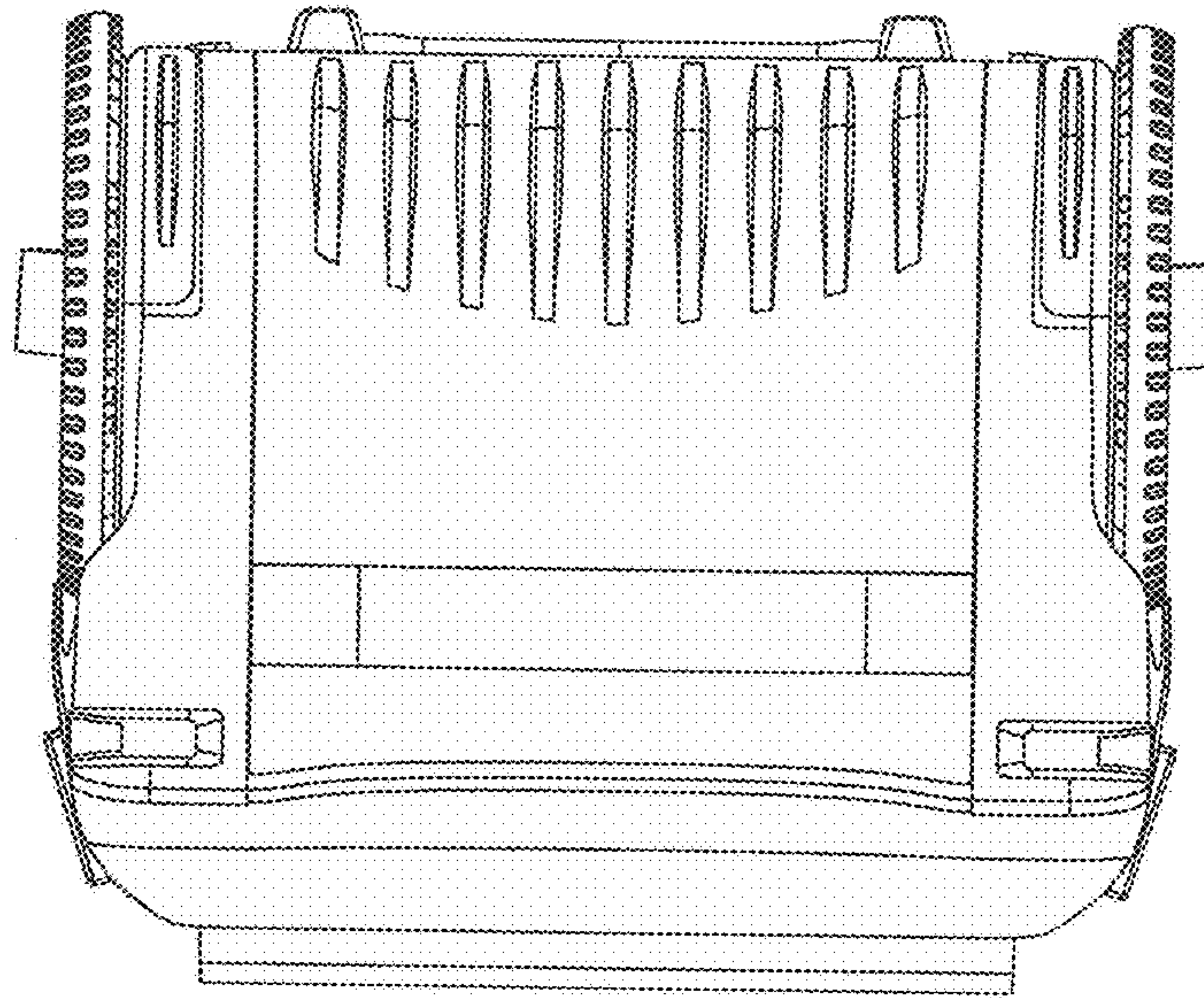


FIG. 9

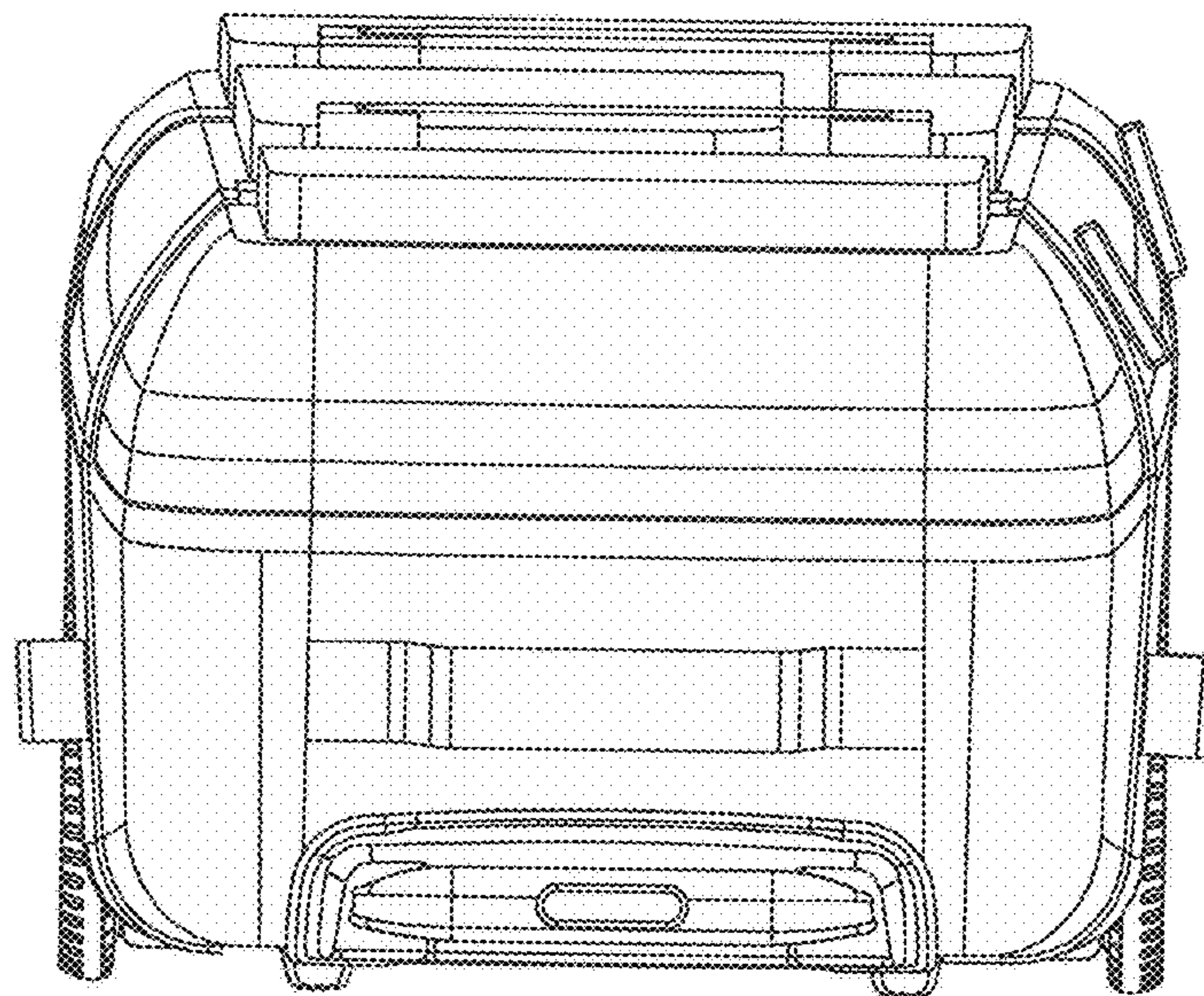


FIG. 10