



US00D858984S

(12) **United States Design Patent**
Zucco et al.

(10) **Patent No.:** **US D858,984 S**

(45) **Date of Patent:** **** Sep. 10, 2019**

(54) **WALLET WITH CARD SLIDE**

(71) Applicants: **John A. Zucco**, Baldwinsville, NY (US); **Michael J. Zucco**, Baldwinsville, NY (US)

(72) Inventors: **John A. Zucco**, Baldwinsville, NY (US); **Michael J. Zucco**, Baldwinsville, NY (US)

(73) Assignee: **Armor Life, Inc.**, Baldwinsville, NY (US)

(**) Term: **15 Years**

(21) Appl. No.: **29/639,325**

(22) Filed: **Mar. 6, 2018**

(51) **LOC (12) Cl.** **03-01**

(52) **U.S. Cl.**
USPC **D3/247**

(58) **Field of Classification Search**
USPC D3/247, 249–253
CPC A45C 1/06; A45C 3/08
See application file for complete search history.

(56) **References Cited**

U.S. PATENT DOCUMENTS

D698,148 S * 1/2014 Sassi D3/247
D715,545 S * 10/2014 McDaniel D3/247

D794,952 S * 8/2017 Feng D3/247
D803,558 S * 11/2017 Liu D3/247
D818,708 S * 5/2018 An D3/247

* cited by examiner

Primary Examiner — Holly H Baynham

(74) *Attorney, Agent, or Firm* — Berhard P. Molldrem, Jr.

(57) **CLAIM**

The ornamental design for a wallet with card slide, as shown and described.

DESCRIPTION

FIG. 1 is an lower front perspective view of a wallet with card slide, showing our new design.

FIG. 2 is an upper front perspective view thereof.

FIG. 3 is a front elevation thereof.

FIG. 4 is a left side elevation thereof.

FIG. 5 is a right side elevation thereof.

FIG. 6 is a top view thereof.

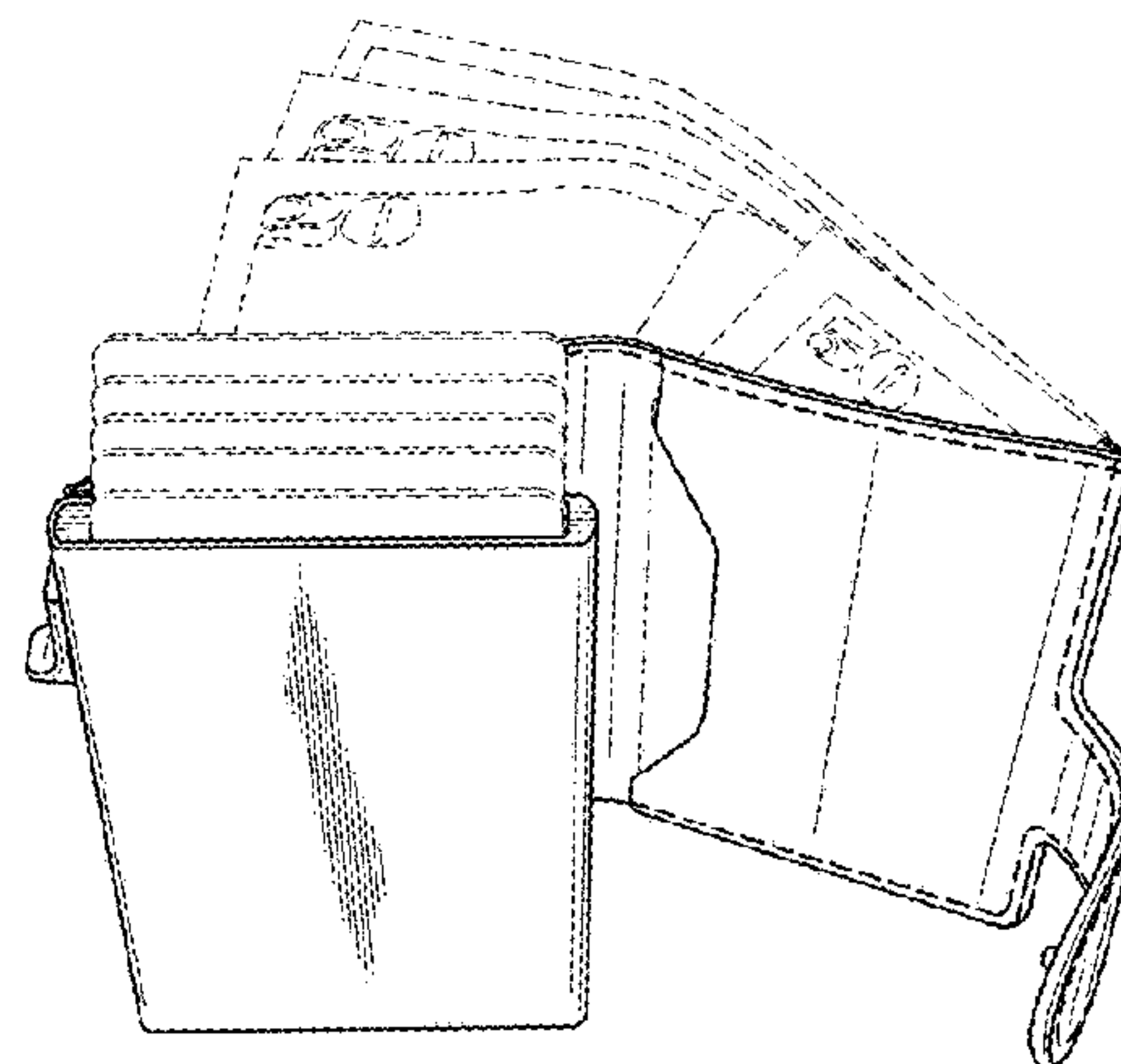
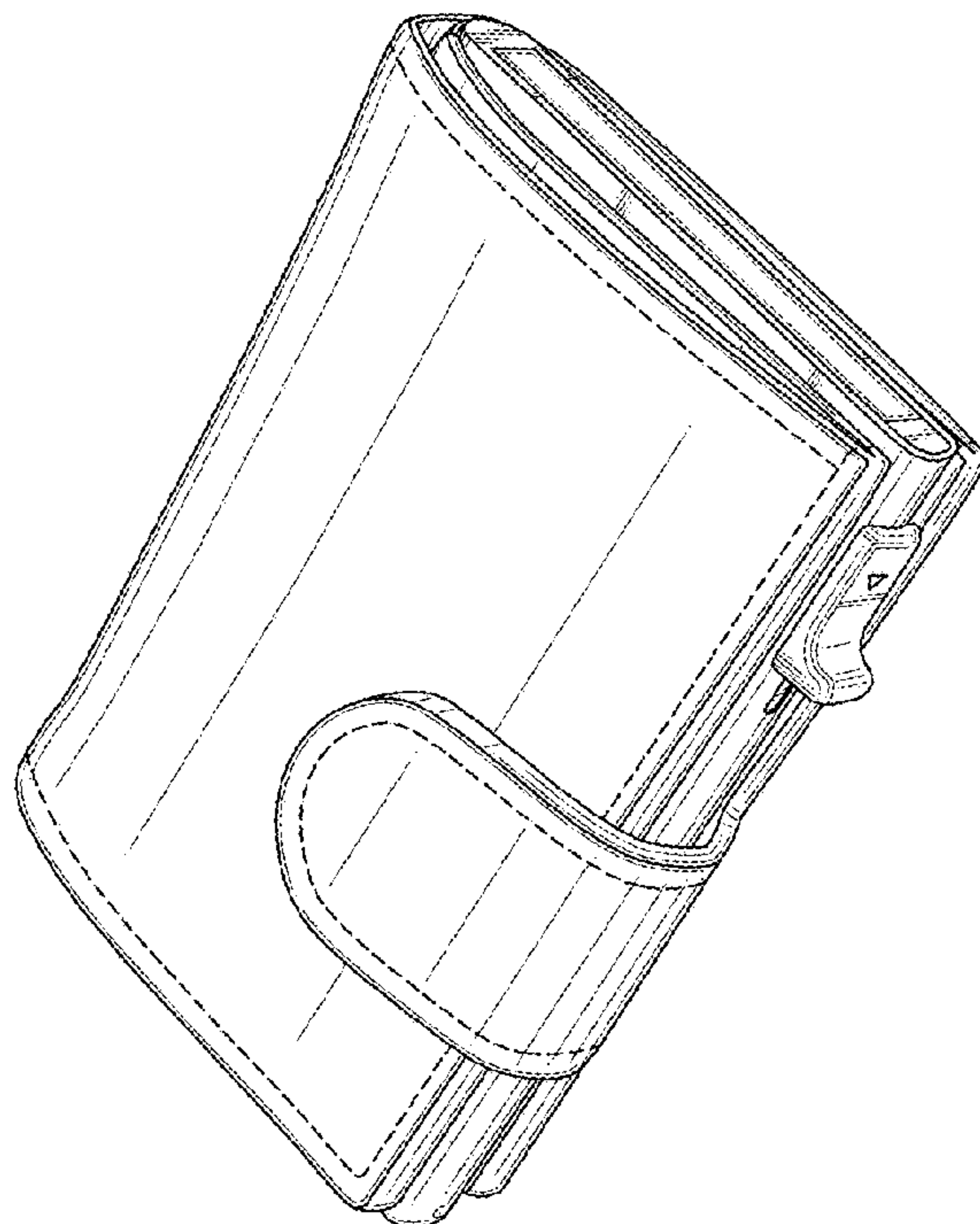
FIG. 7 is a bottom view thereof.

FIG. 8 is a rear side elevation thereof; and,

FIG. 9 is a perspective view of the wallet with card slide in an open condition.

Credit cards and cash, shown in broken lines, and stitching represented in broken lines form no part of our design.

1 Claim, 3 Drawing Sheets



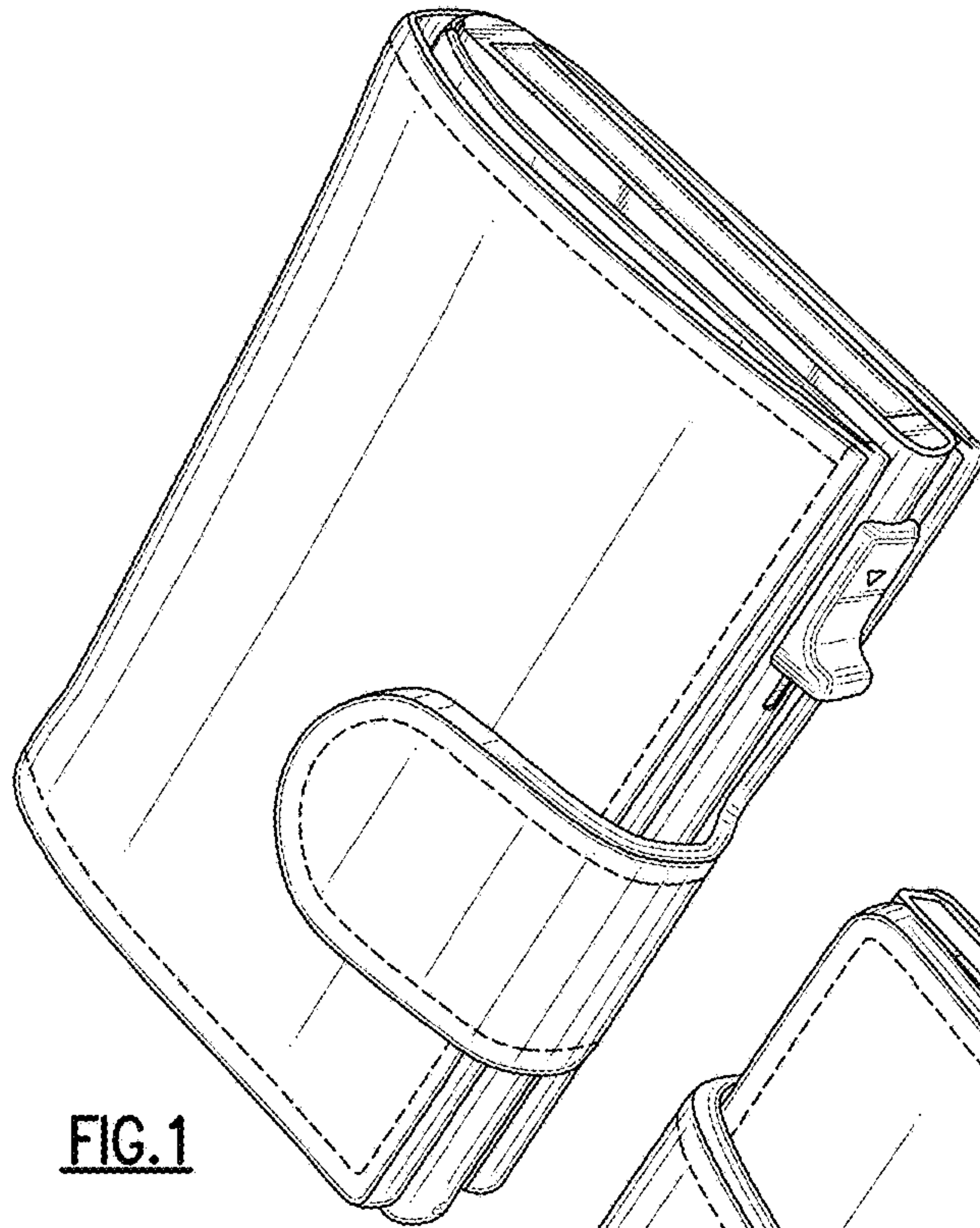


FIG.1

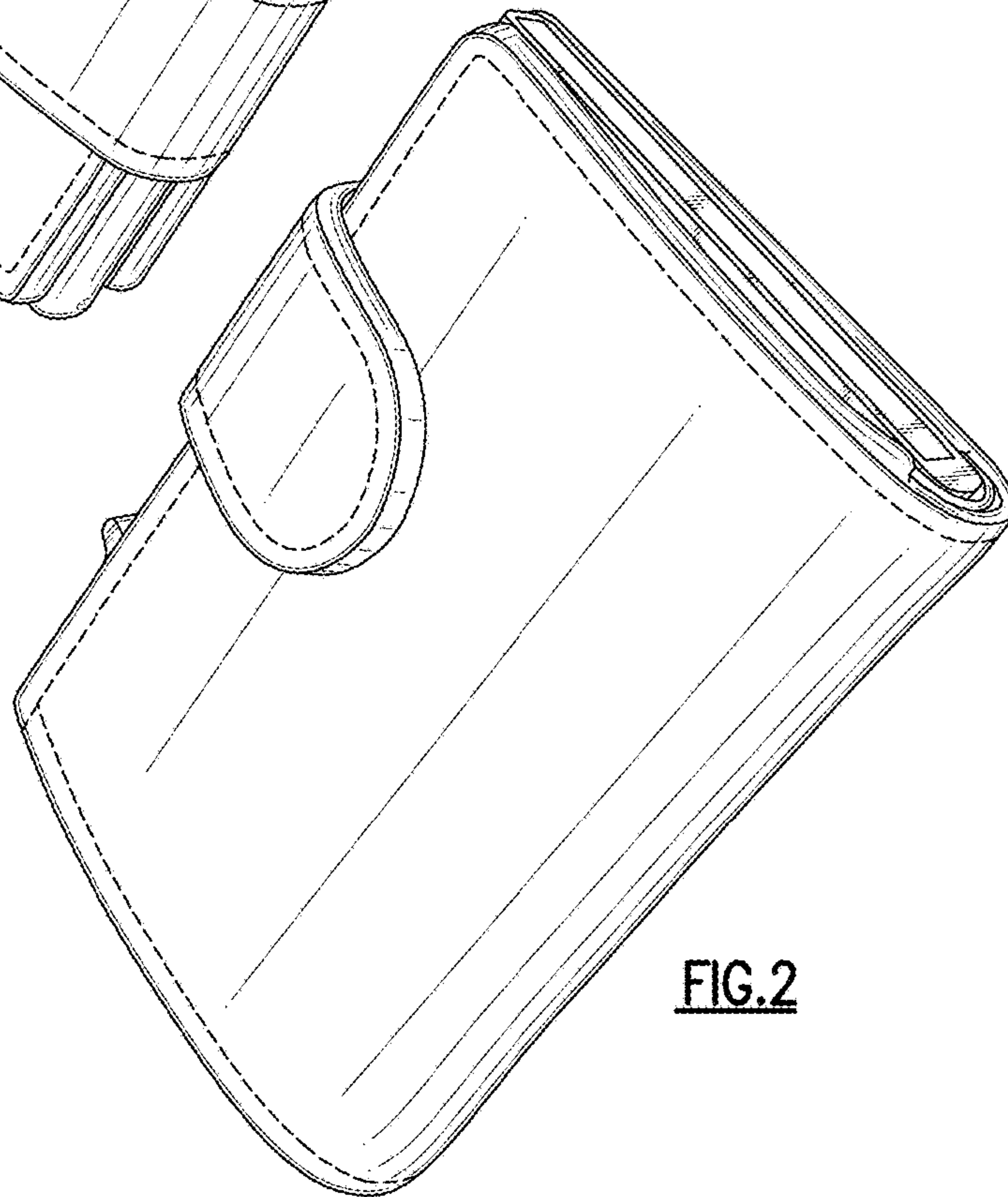


FIG.2

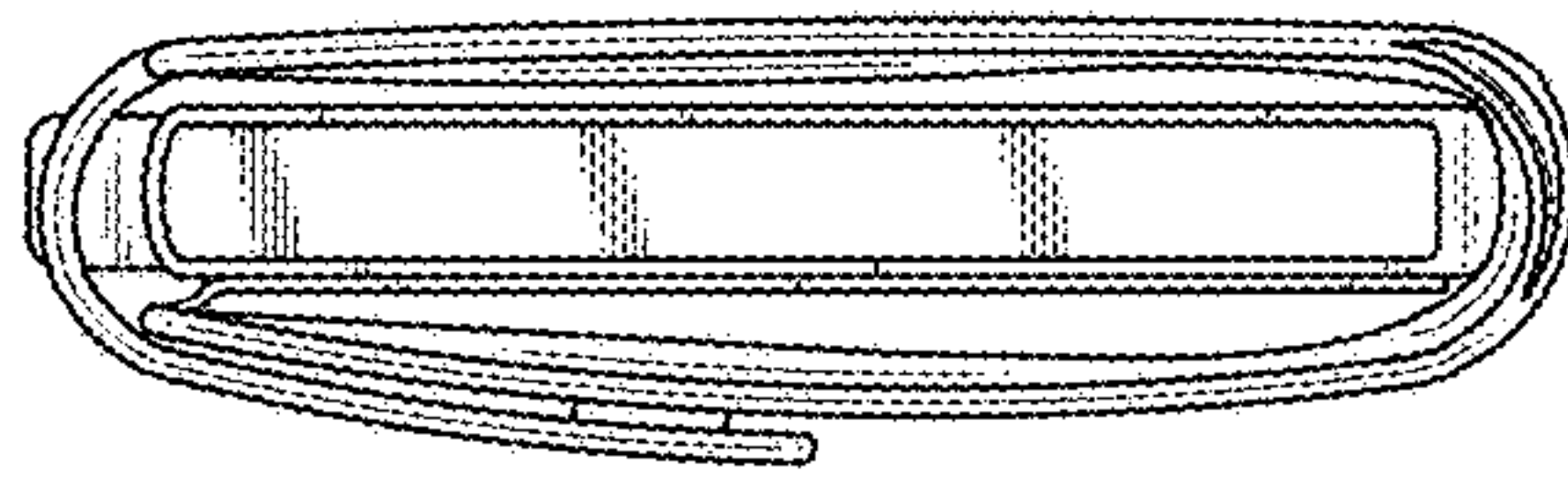


FIG. 6

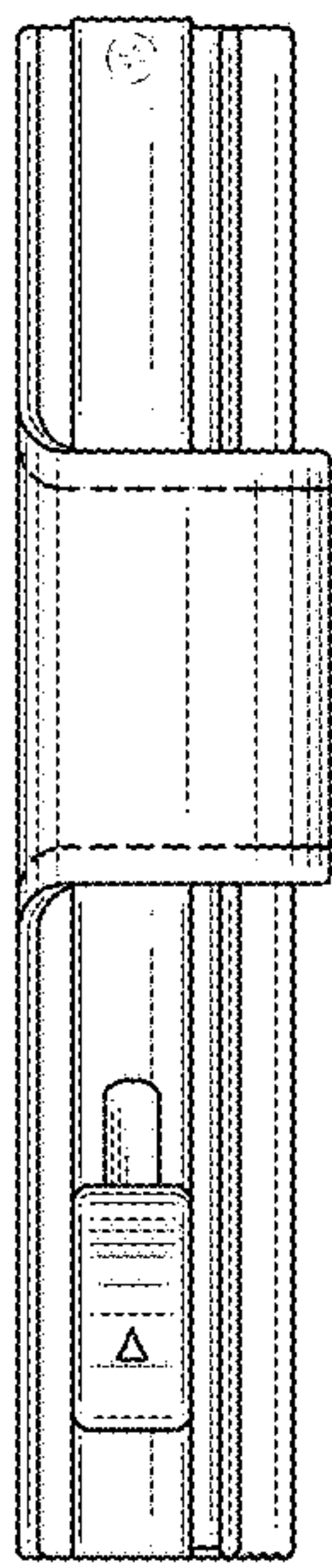


FIG. 4

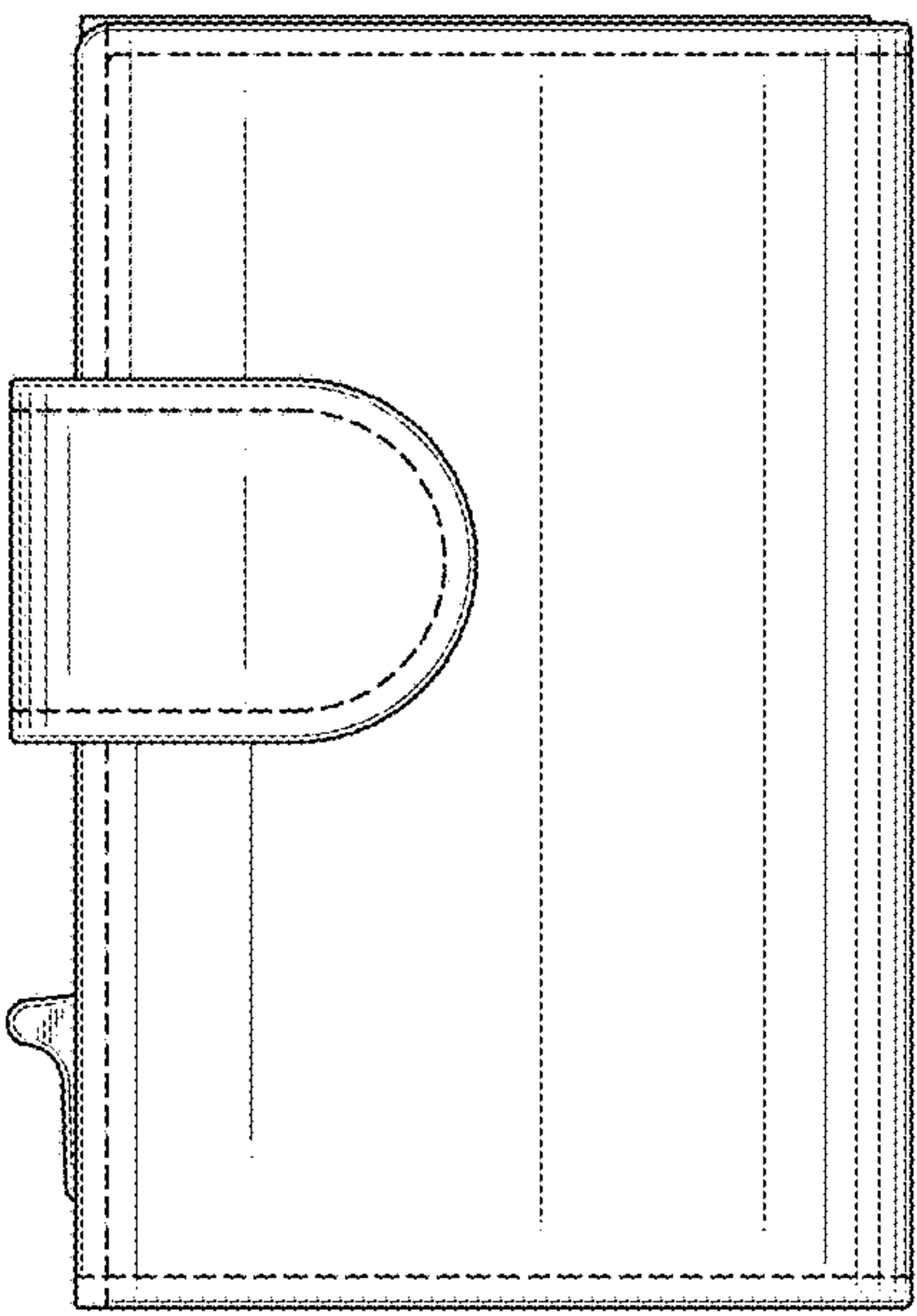


FIG. 3

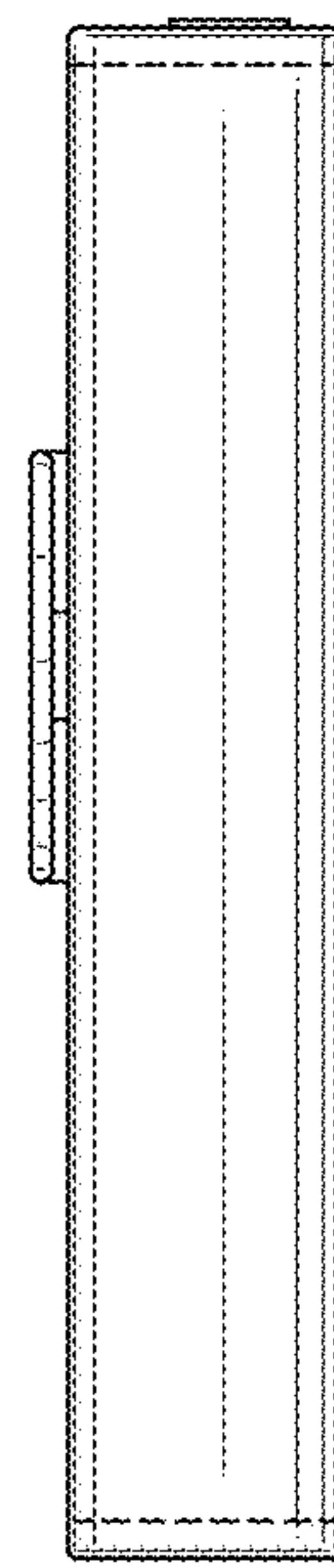


FIG. 5

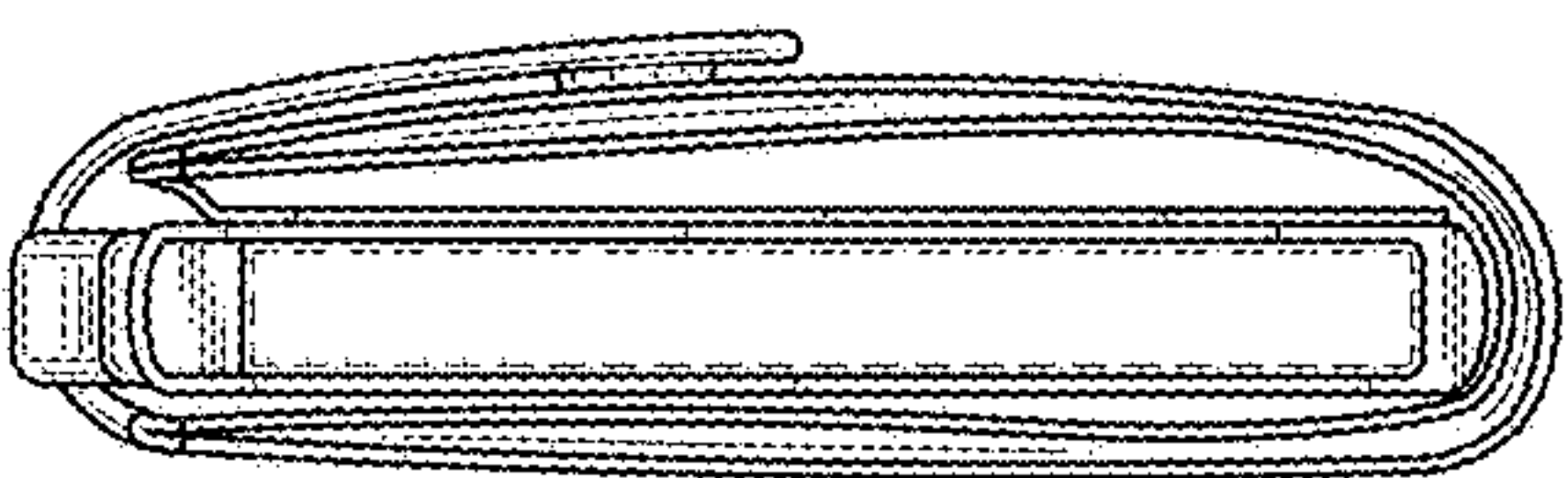


FIG. 7

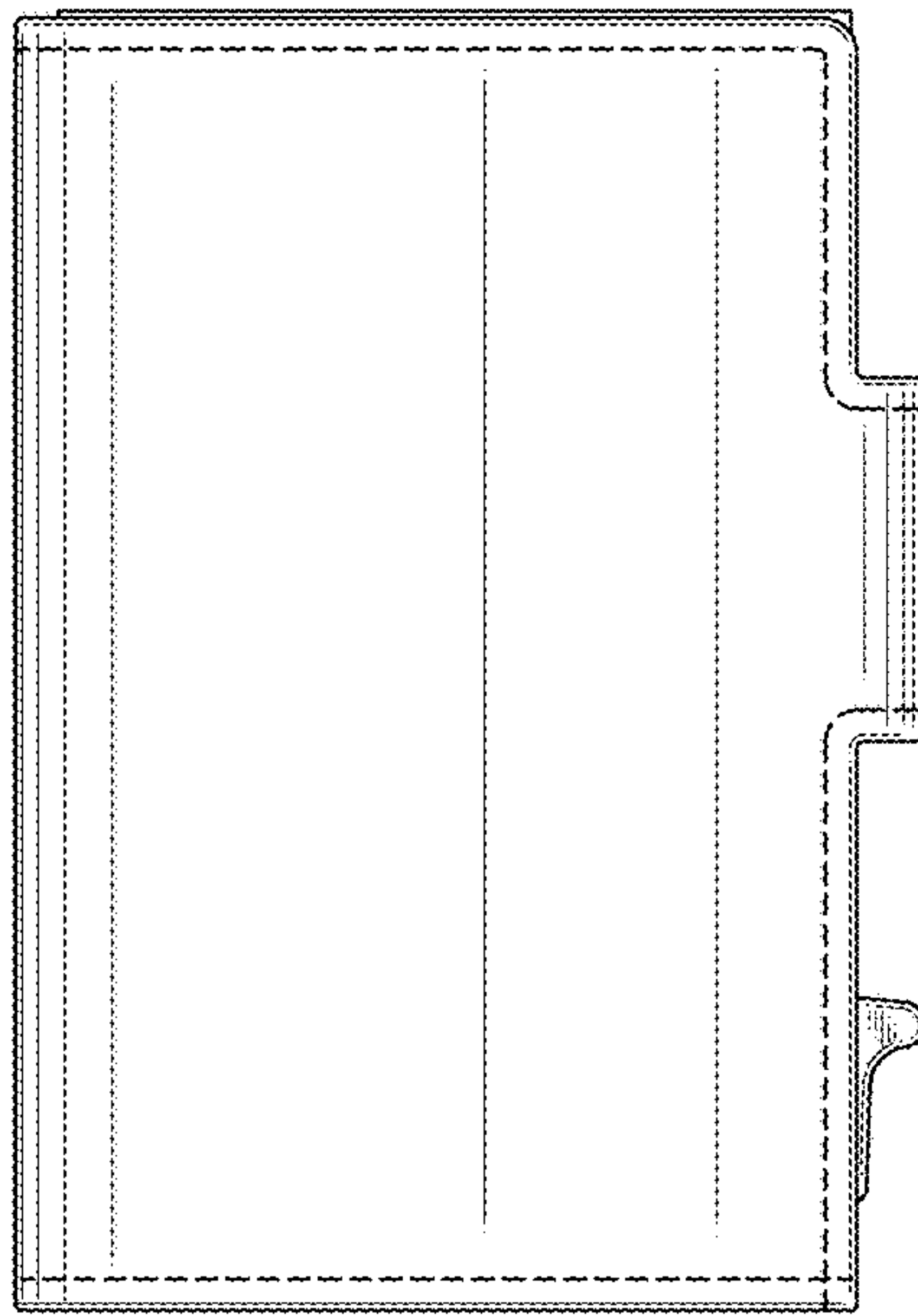


FIG. 8

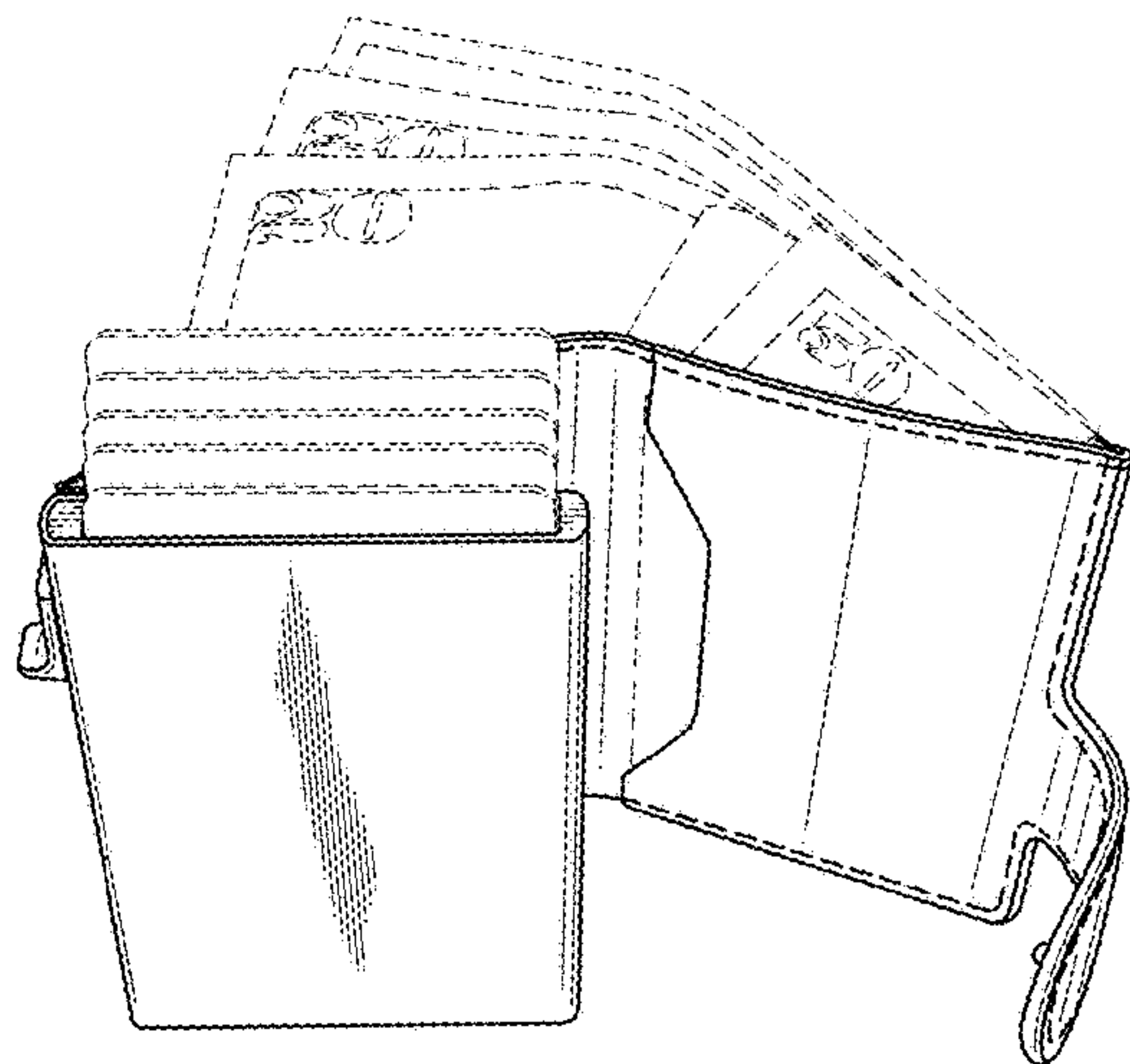


FIG. 9