



US00D858977S

(12) **United States Design Patent** (10) **Patent No.:** **US D858,977 S**
Owens (45) **Date of Patent:** **** Sep. 10, 2019**

(54) **BAG**

- (71) Applicant: **Skorpio Ltd.**, Lugano (CH)
- (72) Inventor: **Richard Saturnino Owens**, Paris (FR)
- (73) Assignee: **Skorpio Ltd.**, Lugano (CH)
- (**) Term: **15 Years**

- (21) Appl. No.: **29/596,740**
- (22) Filed: **Mar. 10, 2017**
- (51) **LOC (12) Cl.** **03-01**
- (52) **U.S. Cl.**
USPC **D3/217; D3/902**
- (58) **Field of Classification Search**
USPC D3/203.1, 215, 217, 226, 233, 232, 273,
D3/274, 276, 283, 285, 289, 304, 305,
D3/902
CPC B65D 21/084; A45C 7/009; A45C 7/0036;
A45C 7/0081; A45C 2003/008; A45C
3/00; A45C 5/005; A45C 7/0059
See application file for complete search history.

(56) **References Cited**

U.S. PATENT DOCUMENTS

D429,448 S *	8/2000	Nottingham	D3/276
D436,251 S *	1/2001	Guyon	D3/232
D436,437 S *	1/2001	Guyon	D3/232
D441,528 S *	5/2001	Guyon	D3/232
D450,448 S *	11/2001	Pierce	D3/216
D470,655 S *	2/2003	Smith	D2/719
D631,652 S *	2/2011	Vauzelles	D3/232
D632,071 S *	2/2011	Krauss	D3/217
D693,573 S *	11/2013	Holefleisch	D3/243
D725,908 S *	4/2015	Zwetzig	D3/283
D770,764 S *	11/2016	de Campos	D3/232
D777,425 S *	1/2017	Shin	D3/233
2016/0102427 A1 *	4/2016	Cohen	D06F 95/004 383/16

OTHER PUBLICATIONS

Farfetch, "Yohji Yamamoto foldover top backpack", Accessed Dec. 19, 2017. (<https://www.farfetch.com/shopping/men/yohji-yamamoto-foldover-top-backpack-item-11343680.aspx>).*
Rick Owens FW17 Glitter Edith Vertical Shopper in Bag, printed from <https://www.rickowenseu.com>, 3 pages.
Rick Owens FW17 Glitter Weekender Bag in Black; printed from <https://www.rickowenseu.com>, 2 pages.

(Continued)

Primary Examiner — Jennifer Rivard

Assistant Examiner — April Rivas

(74) *Attorney, Agent, or Firm* — Fross Zelnick Lehrman & Zissu, P.C.; Lawrence E. Apolzon

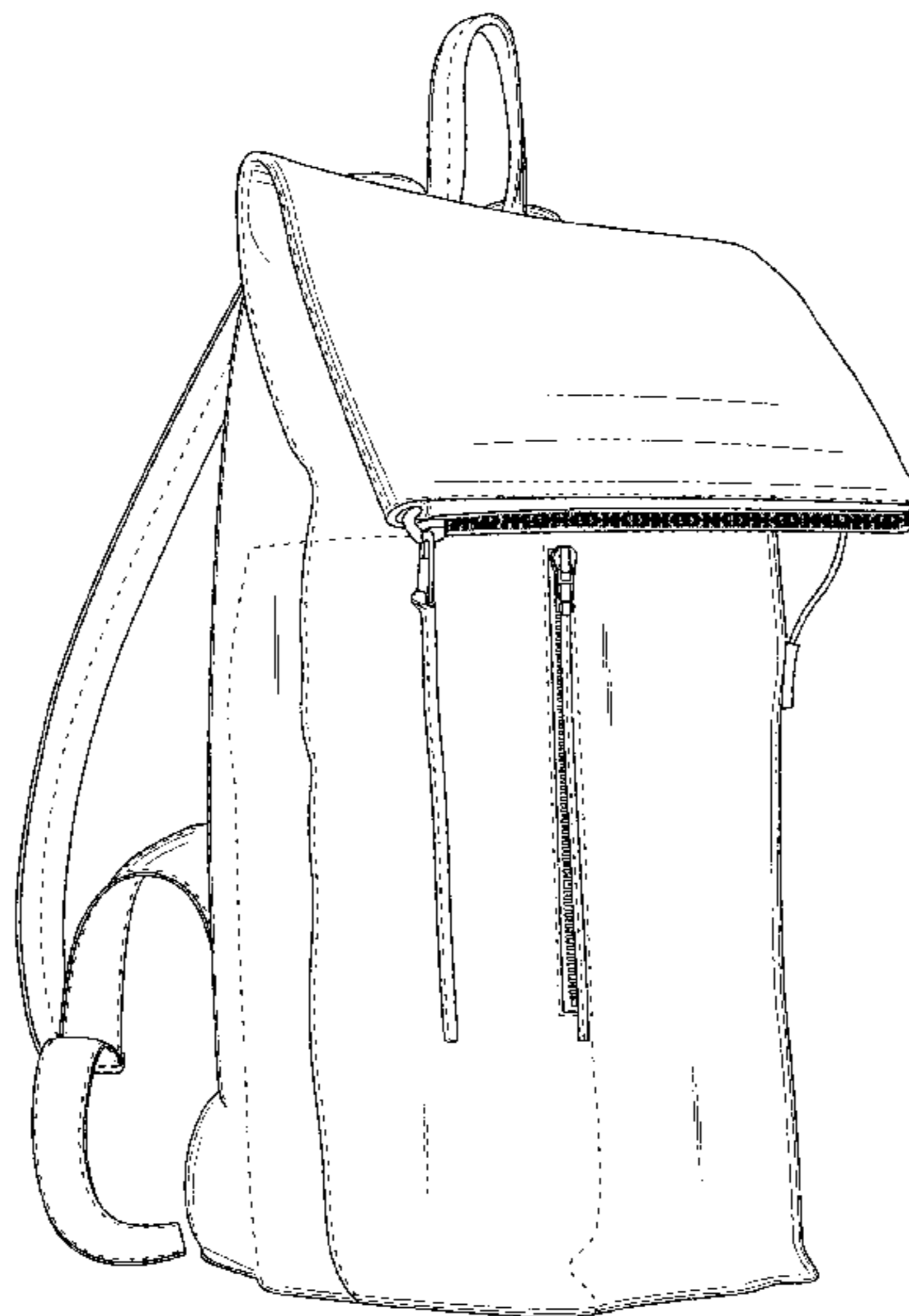
(57) **CLAIM**

The ornamental design for a bag, as shown and described.

DESCRIPTION

FIG. 1 is a front view of a bag showing my new design;
FIG. 2 is back view thereof;
FIG. 3 is a front perspective view thereof;
FIG. 4 is a right side view thereof;
FIG. 5 is a left side view thereof;
FIG. 6 is a top view thereof;
FIG. 7 is a bottom view thereof;
FIG. 8 is a front view of the bag shown in FIG. 1, shown with top flap in an open position;
FIG. 9 is a back view thereof;
FIG. 10 is a front perspective view thereof;
FIG. 11 is a right side view thereof;
FIG. 12 is a left side view thereof;
FIG. 13 is a top view thereof; and,
FIG. 14 is a bottom view thereof.
The dotted lines are understood to represent stitching and form part of the claimed design.

1 Claim, 14 Drawing Sheets



(56)

References Cited

OTHER PUBLICATIONS

Rick Owens FW17 Glitter Backpack in Black Bull, printed from <https://www.rickowenseu.com>, 3 pages.

Rick Owens FW17 Glitter Wrist Pouch in Black, printed from <https://www.rickowenseu.com>, 3 pages.

Rick Owens FW17 Glitter Bags, printed from <https://www.rickowenseu.com>, 3 pages.

Rick Owens FW17 Glitter Wrist Pouch in Orange, printed from <https://www.rickowenseu.com>, 3 pages.

Rick Owens, FW17 Glitter Shoulder Bag in Violet, printed from <https://www.rickowenseu.com>, 3 pages.

Rick Owens FW17 Glitter Backpack in Black Calf, printed from <https://www.rickowenseu.com>, 3 pages.

Rick Owens FW17 Glitter Backpack in Violet Horse, printed from <https://www.rickowenseu.com>, 3 pages.

Rick Owens DRKSHDW FW17 Glitter Backpack in Black Rubber, printed from <https://www.rickowenseu.com>, 3 pages.

Rick Owens Small Adri Bag in Black Alligator; printed from <https://www.rickowenseu.com>, 3 pages.

Rick Owens FW17 Glitter Flat Wallet Large in Black, printed from <https://www.rickowenseu.com>, 3 pages.

Rick Owens FW17 Glitter Medium Shopper Bag in, printed from <https://www.rickowenseu.com>, 3 pages.

Rick Owens FW17 Glitter Bauletto Bag in Metallic, printed from <https://www.rickowenseu.com>, 2 pages.

Rick Owens FW17 Glitter Mini Edith Bag in Black; printed from <https://www.rickowenseu.com>; 3 pages.

Rick Owens FW17 Glitter Micro Bauletto Bag in, printed from <https://www.rickowenseu.com>, 3 pages.

Rick Owens FW17 Glitter Flat Clutch in Black Bull, printed from <https://www.rickowenseu.com>, 3 pages.

Rick Owens FW17 Glitter New Shoulder Bag in Black, printed from <https://www.rickowenseu.com>, 1 page.

Rick Owens FW17 Glitter Mini Backpack in Petal Pink, printed from <https://www.rickowenseu.com>, 3 pages.

Rick Owens FW17 Glitter Wrist Pouch in Metallic, printed from <https://www.rickowenseu.com>, 3 pages.

Rick Owens FW17 Glitter Micro Edith Shoulder Bag, printed from <https://www.rickowenseu.com>, 3 pages.

Rick Owens FW17 Glitter Big Adri Bag in Orange, printed from <https://www.rickowenseu.com>, 3 pages.

Rick Owens FW17 Glitter Mini Edith Bag in Orange, printed from <https://www.rickowenseu.com>, 3 pages.

Rick Owens FW17 Glitter New Shoulder Bag in Black, printed from <https://www.rickowenseu.com>, 3 pages.

Rick Owens FW17 Glitter Crossbody Soft Wallet, printed from <https://www.rickowenseu.com>, 3 pages.

Rick Owens SS17 Walrus New Shoulder Bag in Black, printed from <https://www.rickowenseu.com>, 3 pages.

Rick Owens SS17 Walrus Big Adri Bag in Red Lamb, printed from <https://www.rickowenseu.com>, 3 pages.

Rick Owens SS17 Walrus Big Shopper Bag in Black, printed from <https://www.rickowenseu.com>, 3 pages.

Raccagni / Collection—Super R, showing zippers, printed from <http://www.raccagni/collezione/superR>, 5 pages.

Raccagni / Collection—Symmetric, showing zippers, printed from <http://www.raccagni/collezione/simmetrica>, 6 pages.

Raccagni / Collection—Nylon, showing zippers, and sliders, printed from <http://www.raccagni/collezione/nylon>, 6 pages.

Raccagni / Collection—Sliders, showing sliders, printed from <http://www.raccagni/collezione/cursori>, 10 pages.

Raccagni / Collection—Tom Ford, showing slider, printed from <http://www.raccagni/collezione/tom-ford>, 5 pages.

Raccagni / Collection—Tapes, showing tapes, printed from <http://www.raccagni/collezione/nastri>, 3 pages.

Rick Owens, Bag—Model Bucket (Collection SS07), 5 Pages—published at least earlier than Mar. 10, 2016.

Rick Owens, Bag—Model Adri (Collection SS10) with strap attachment mechanism detail (also appears on S17 Edith model), 5 Pages—published at least earlier than Mar. 10, 2016.

* cited by examiner

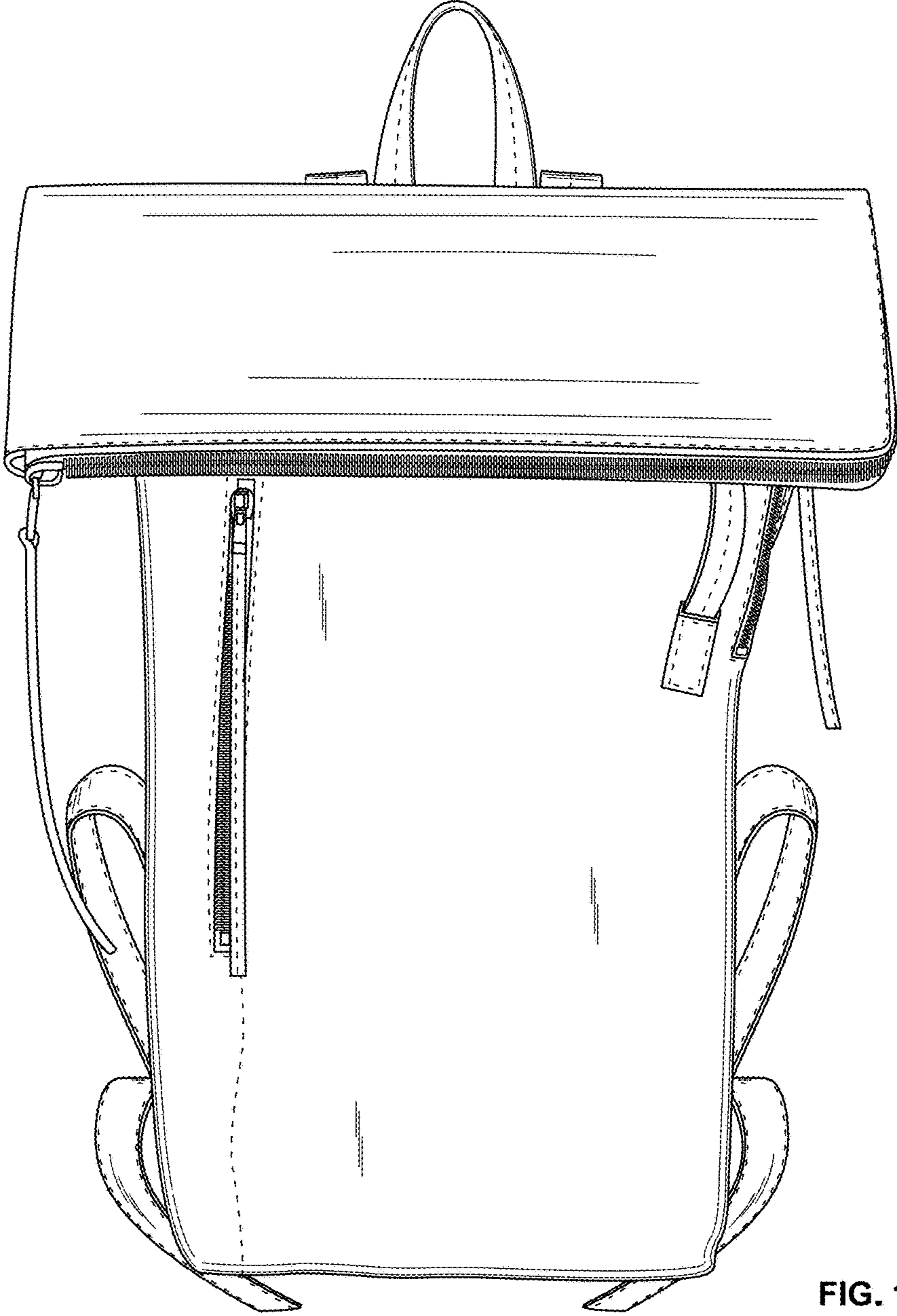


FIG. 1

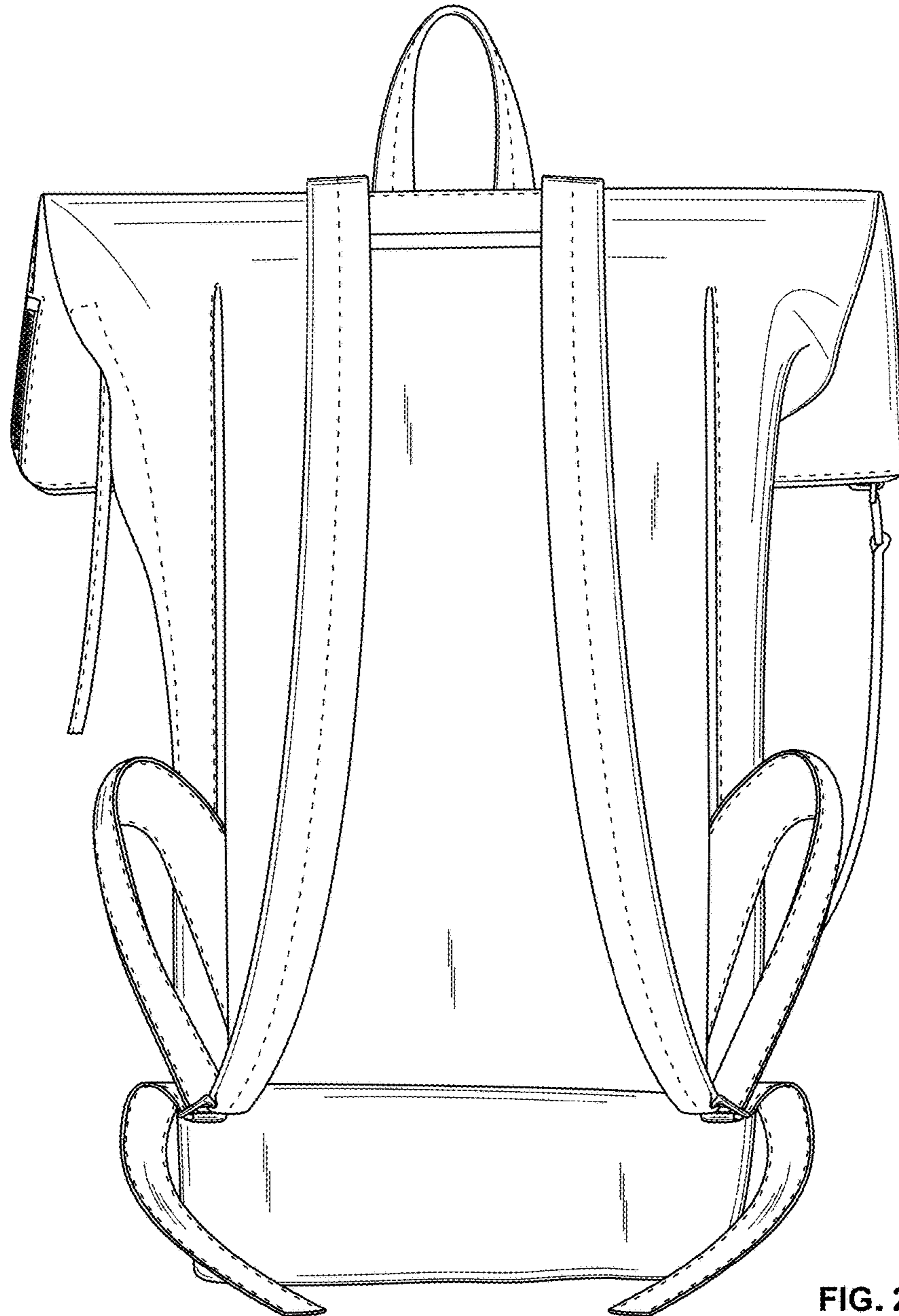


FIG. 2

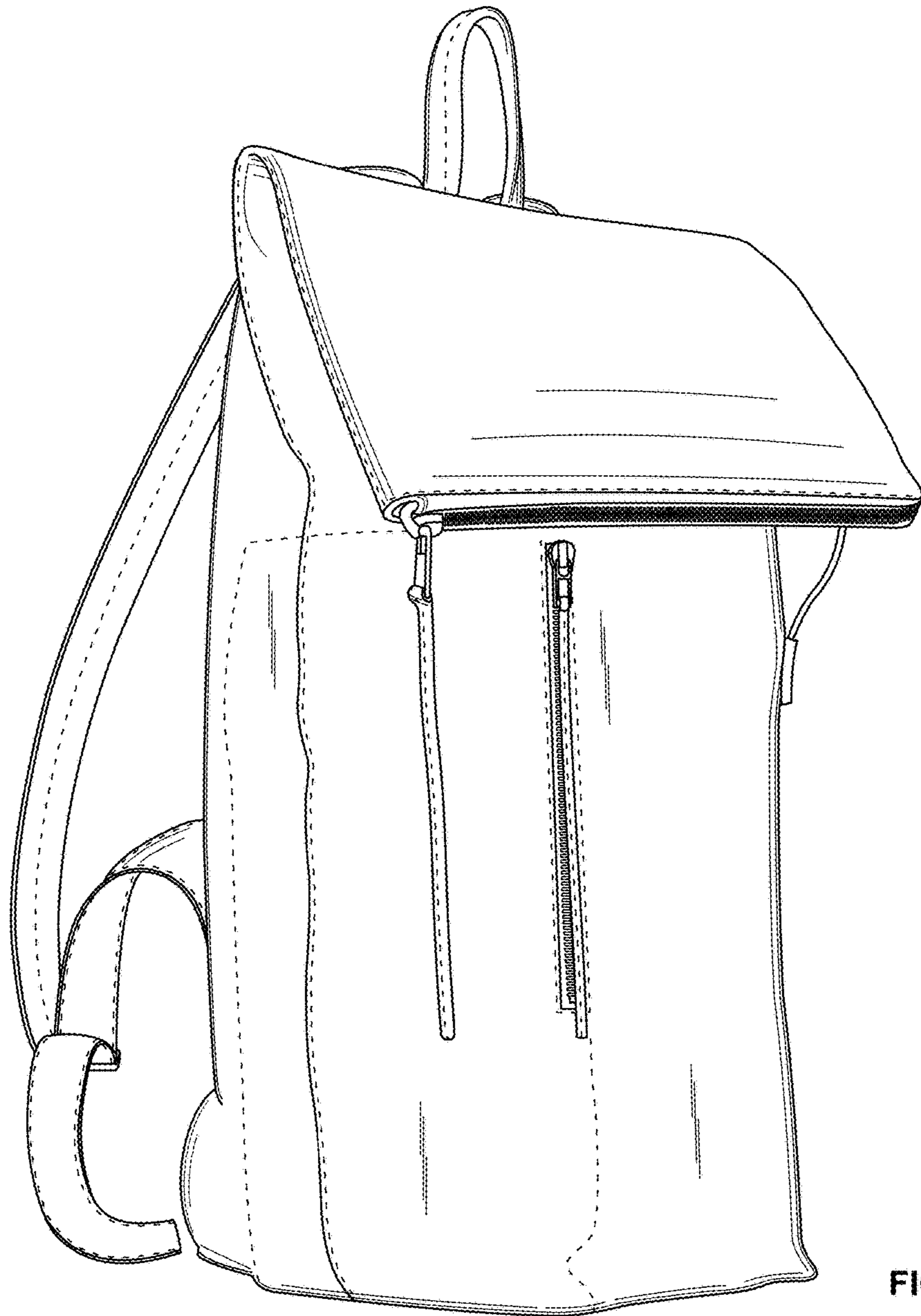


FIG. 3

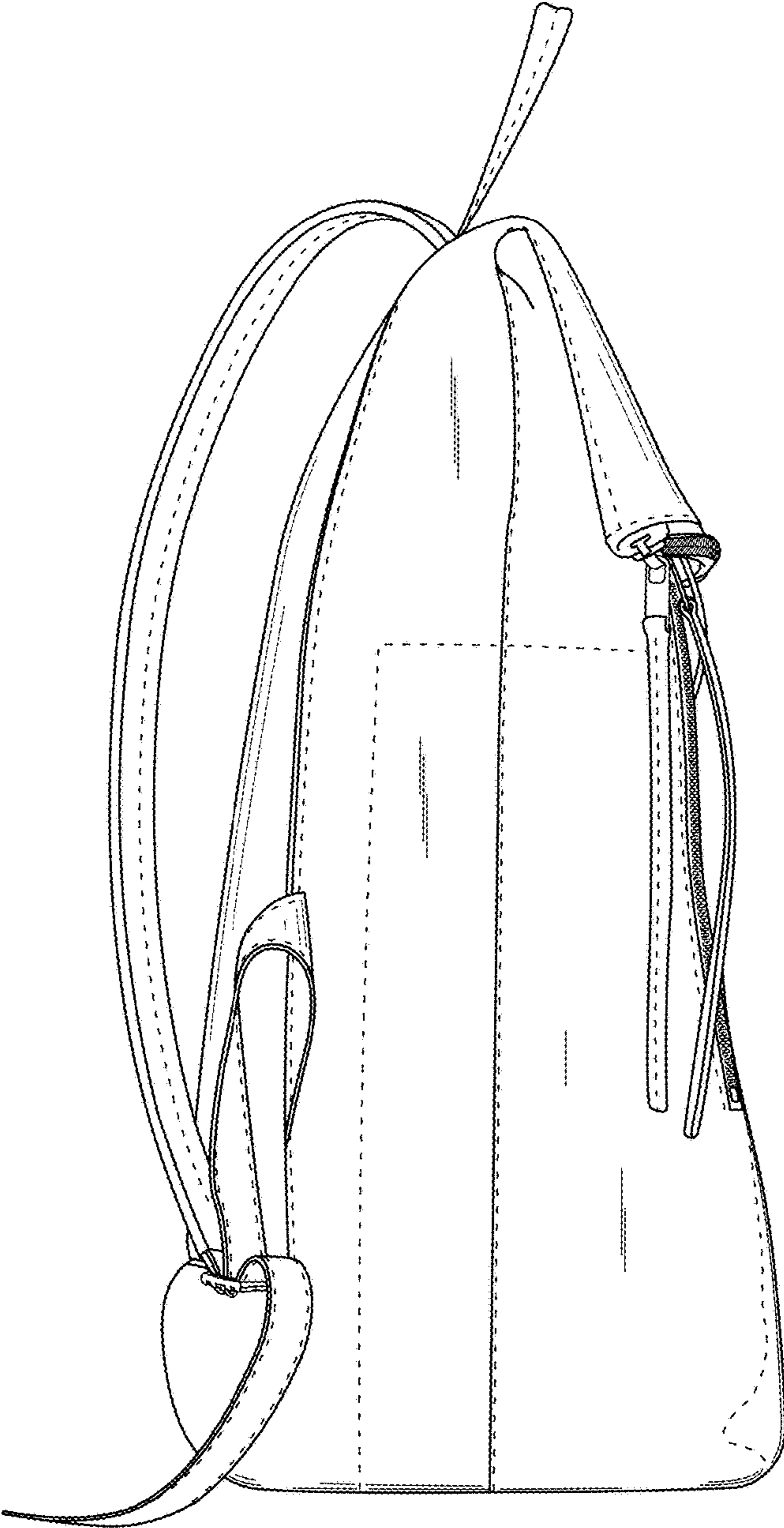


FIG. 4

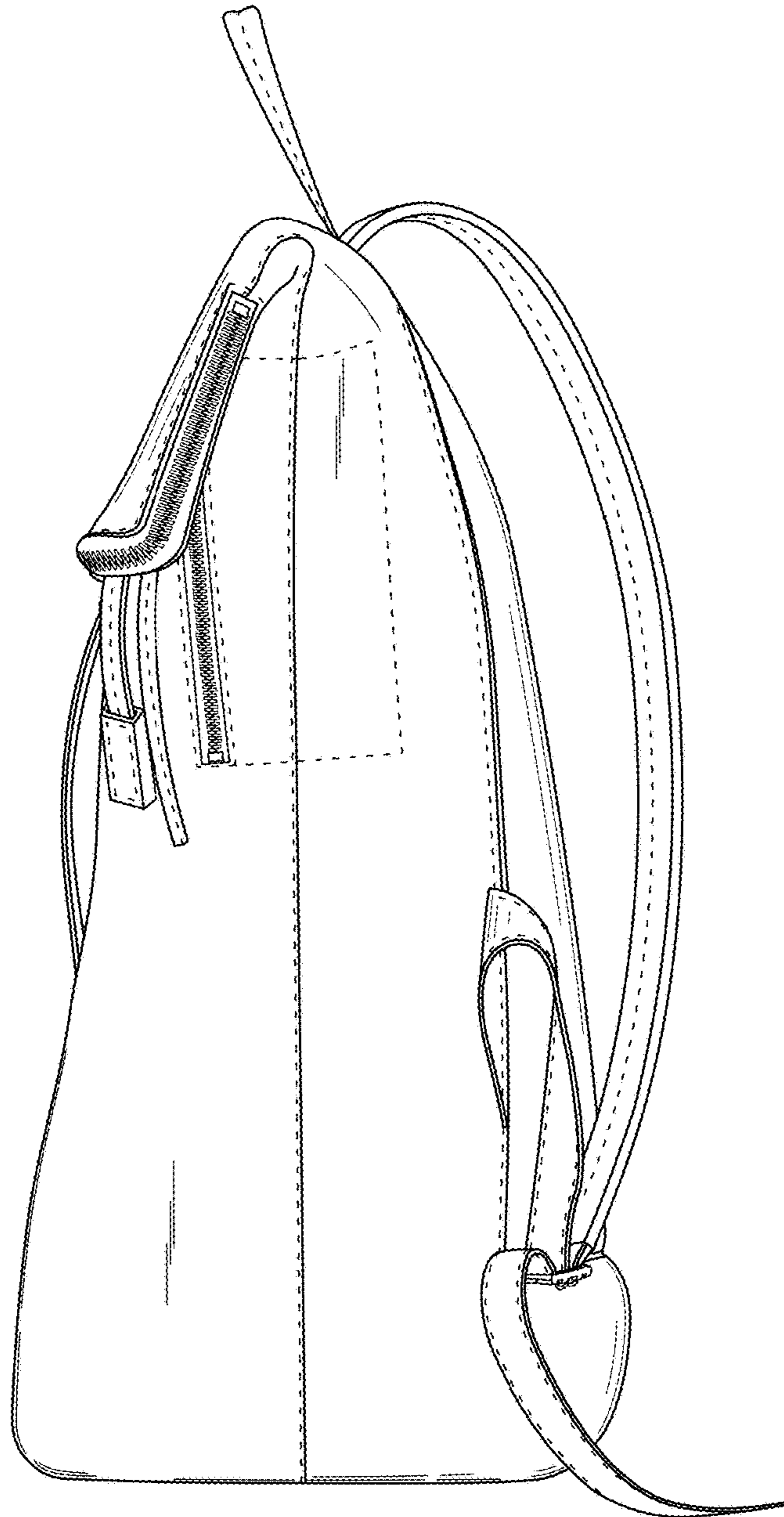


FIG. 5

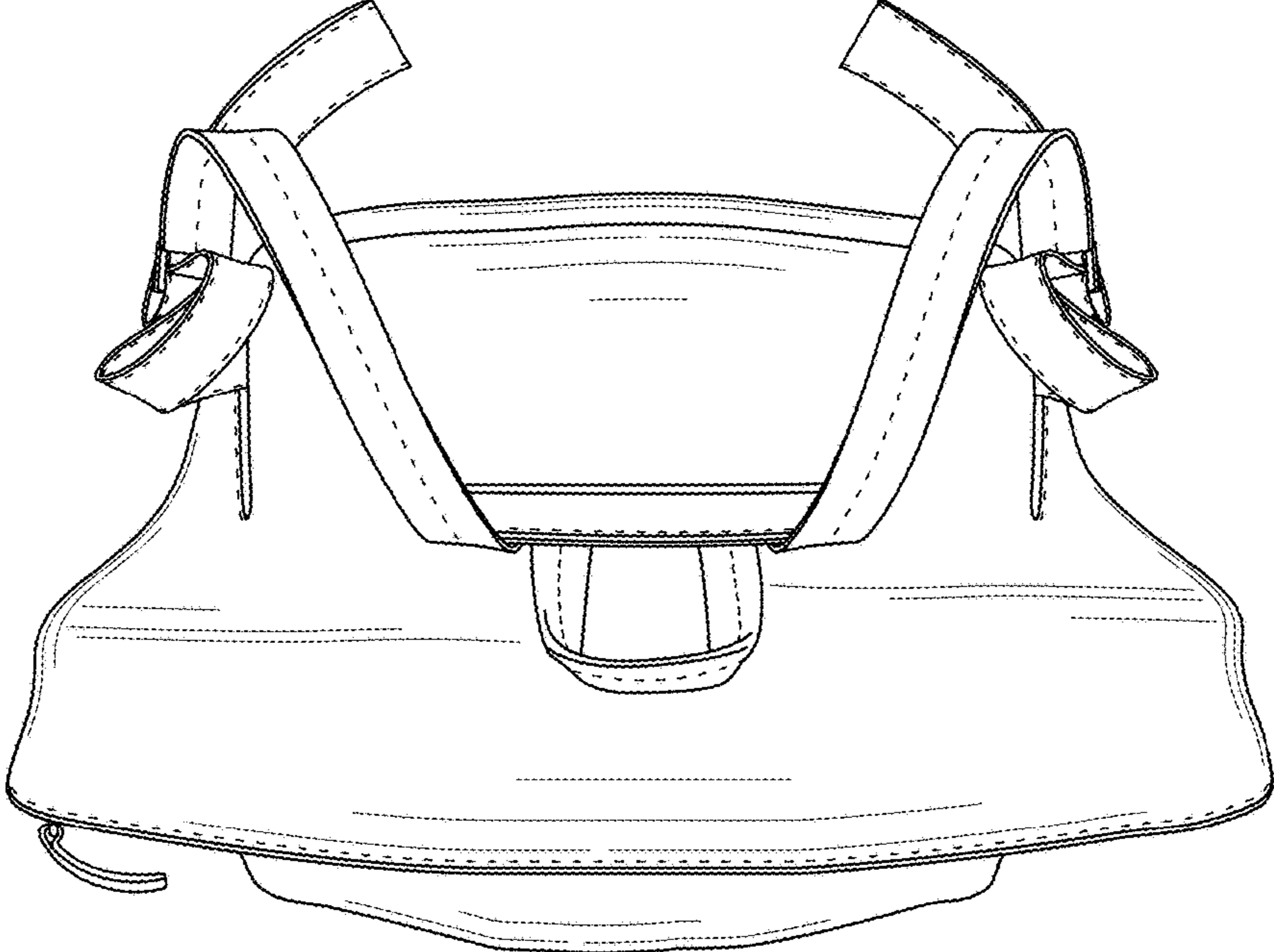


FIG. 6

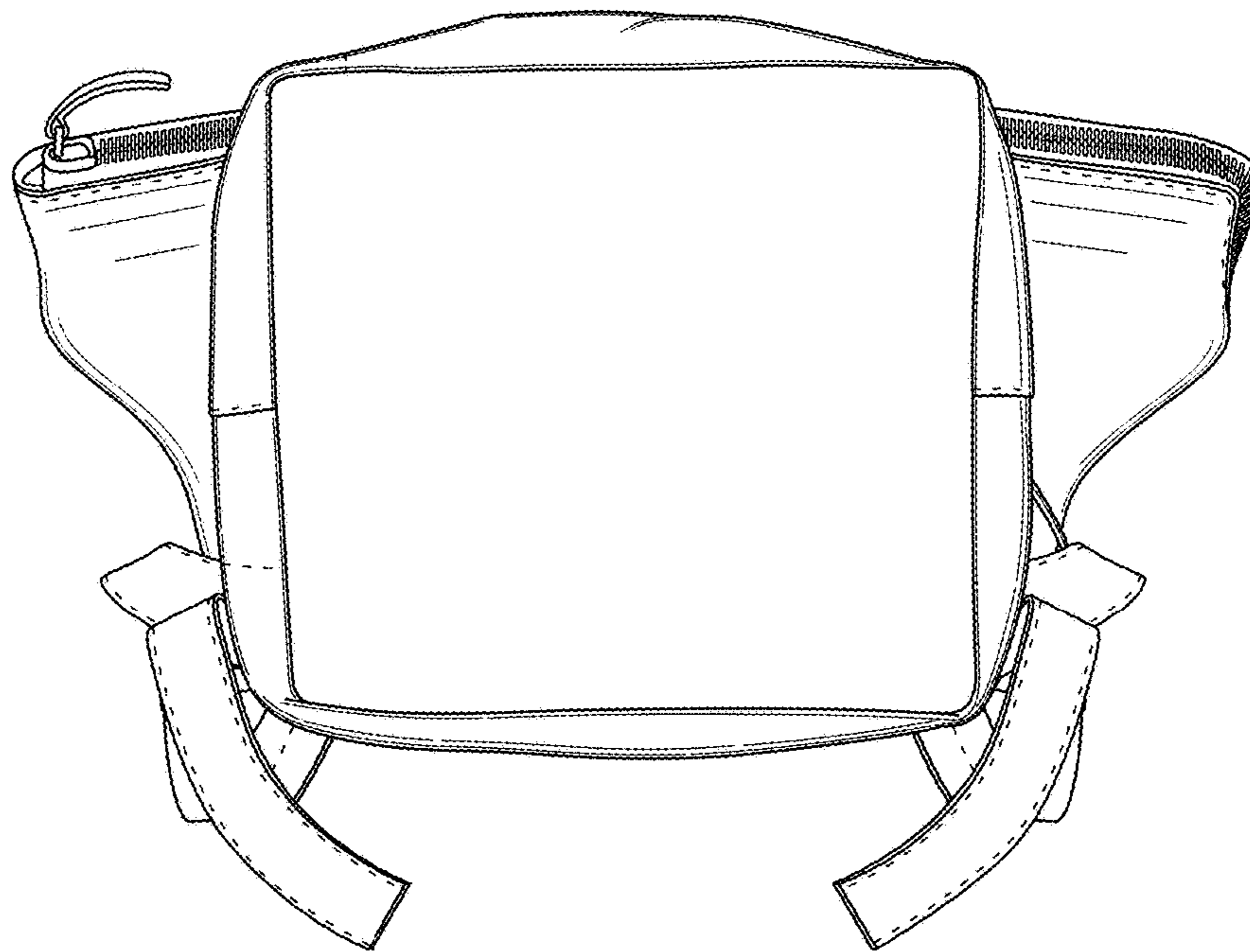


FIG. 7

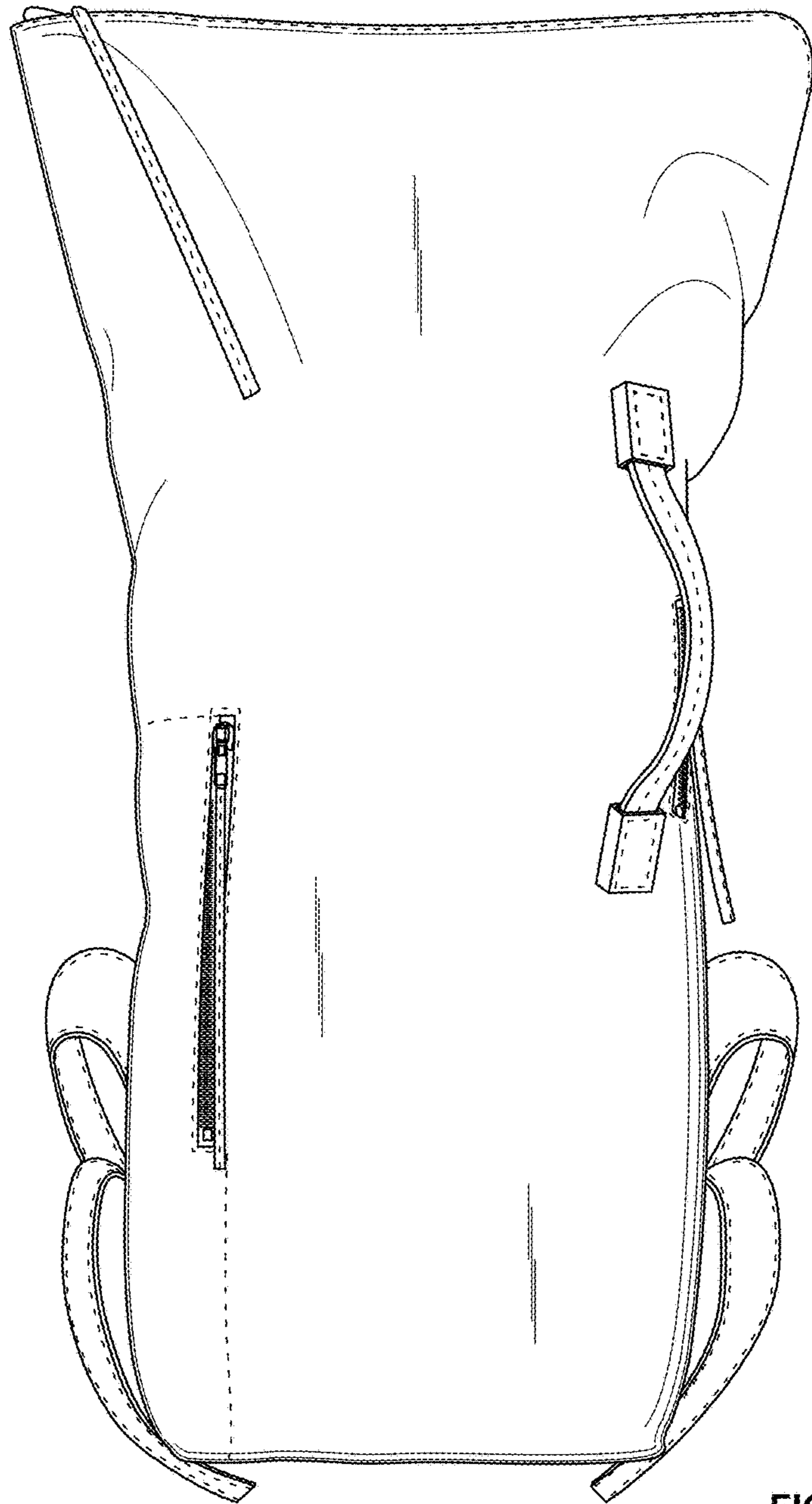


FIG. 8

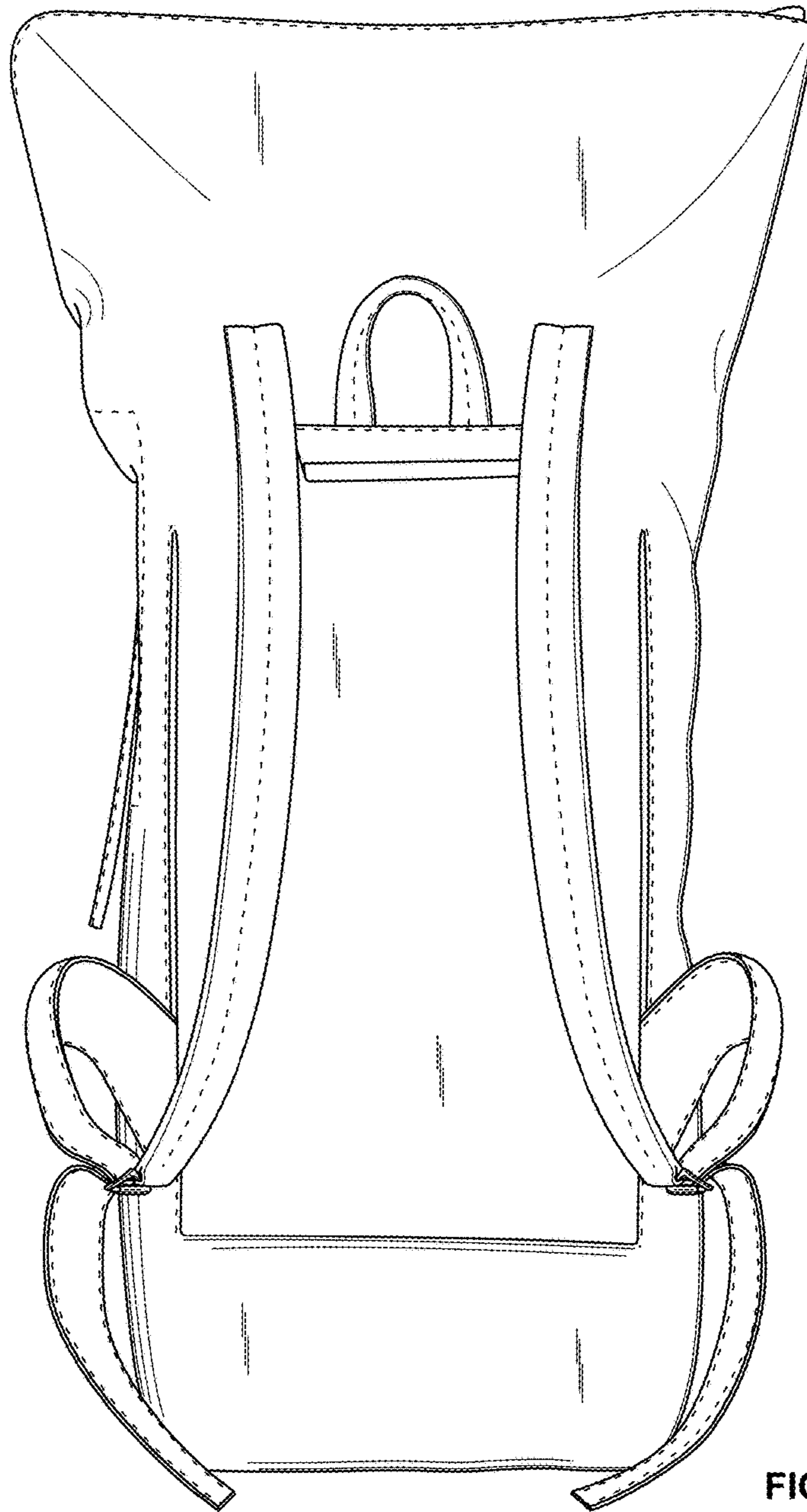


FIG. 9

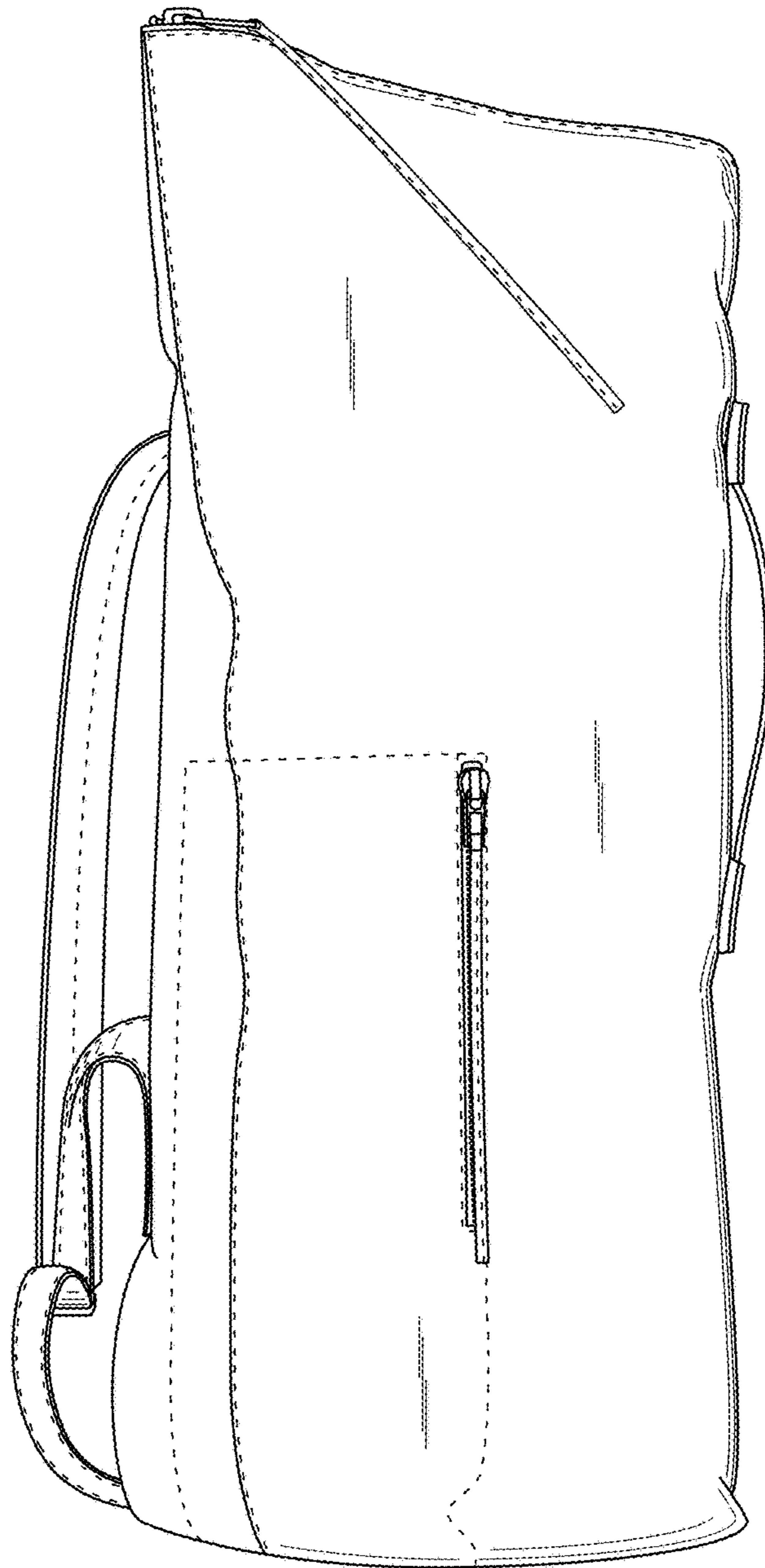


FIG. 10

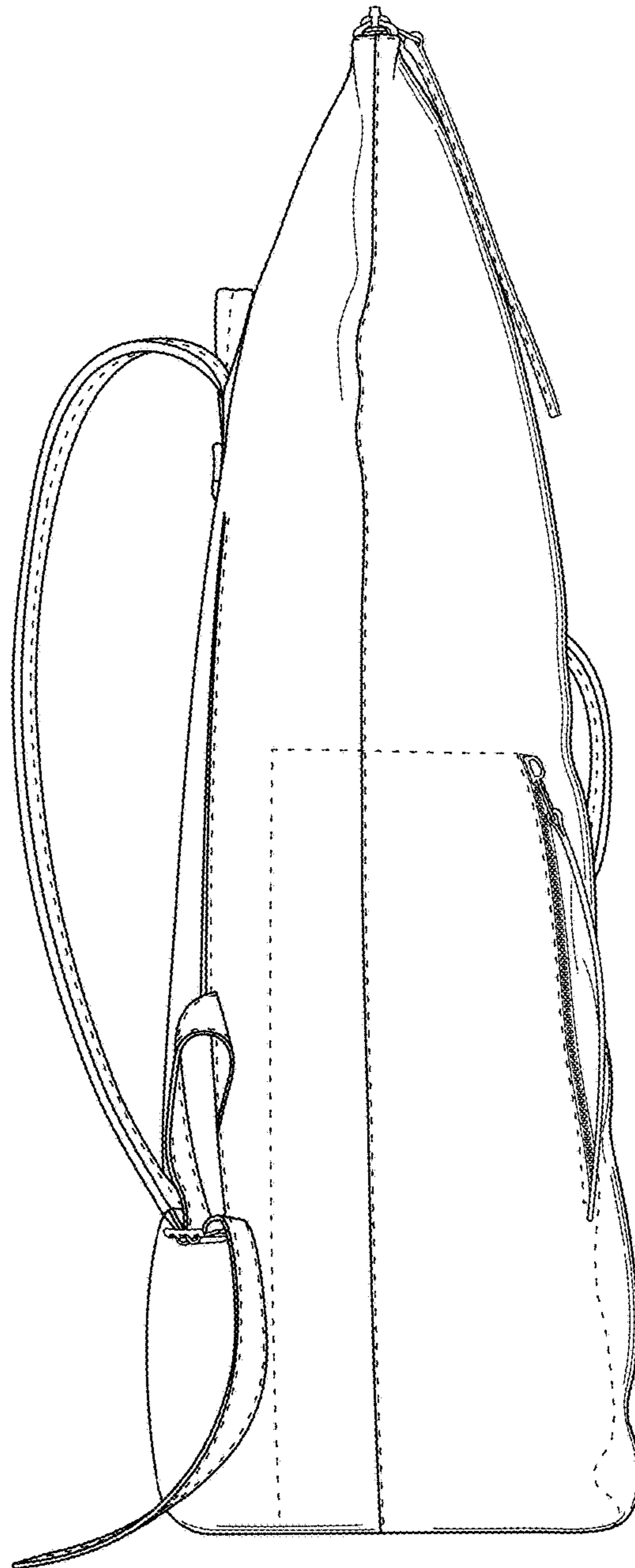


FIG. 11

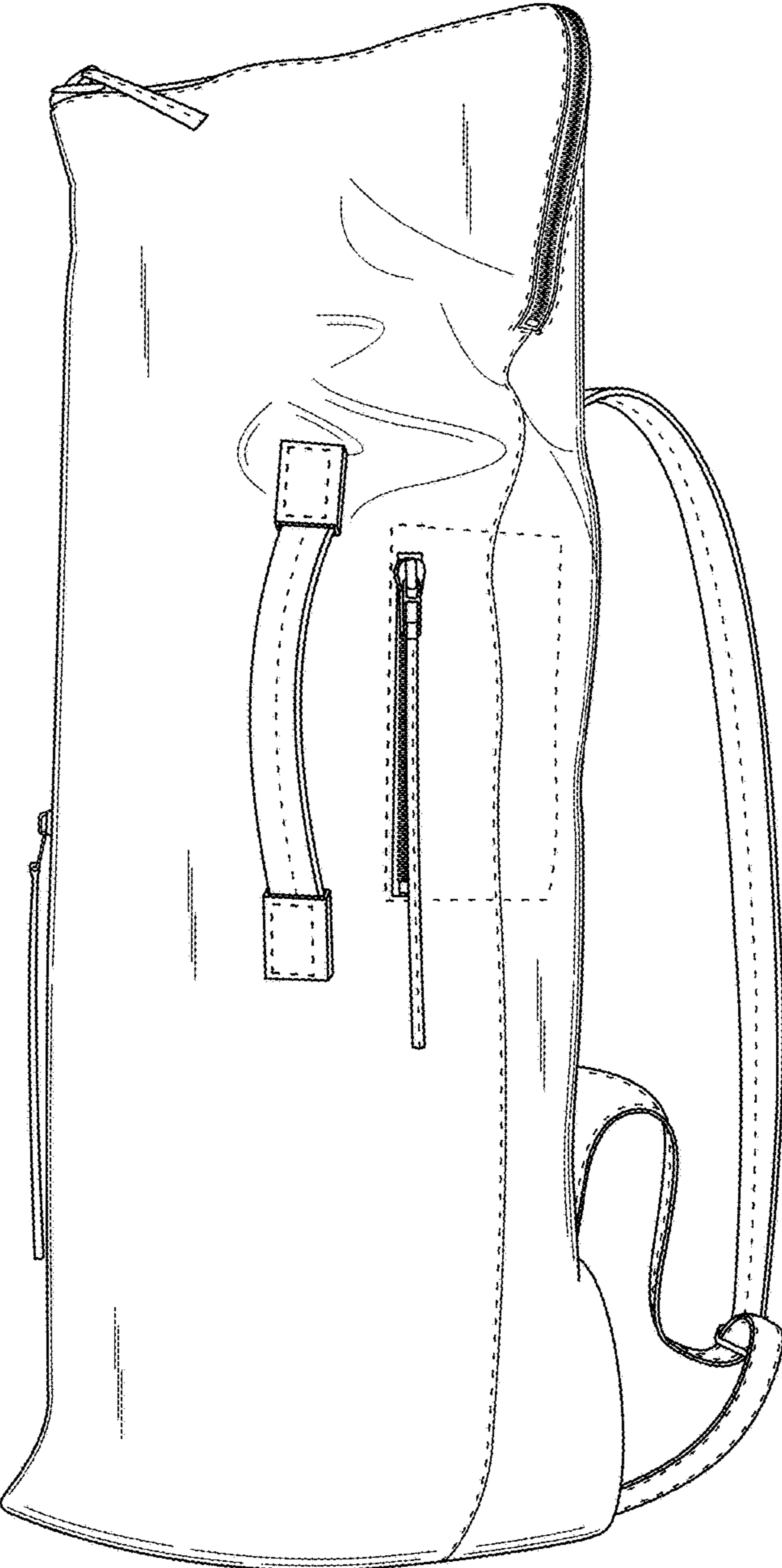


FIG. 12

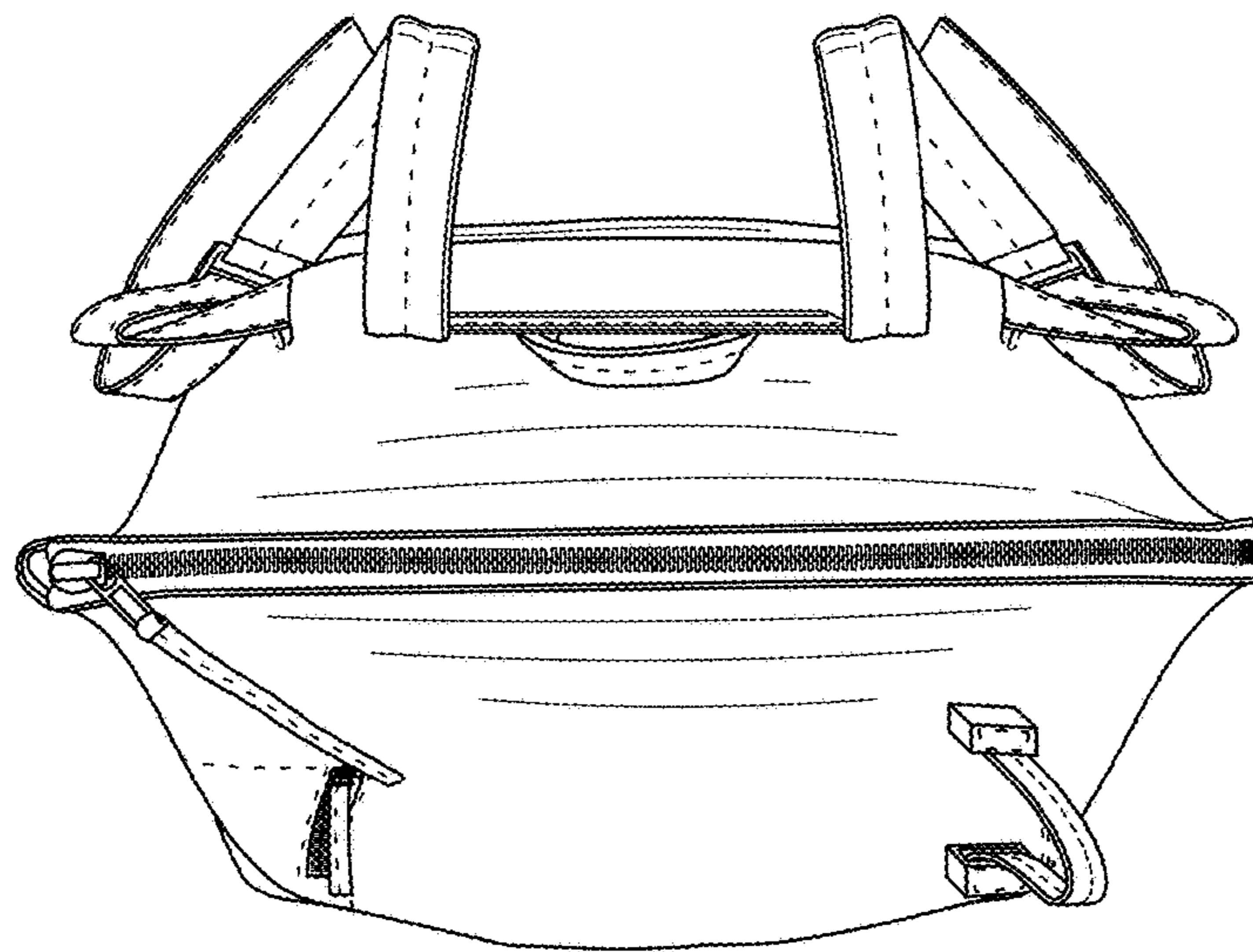


FIG. 13

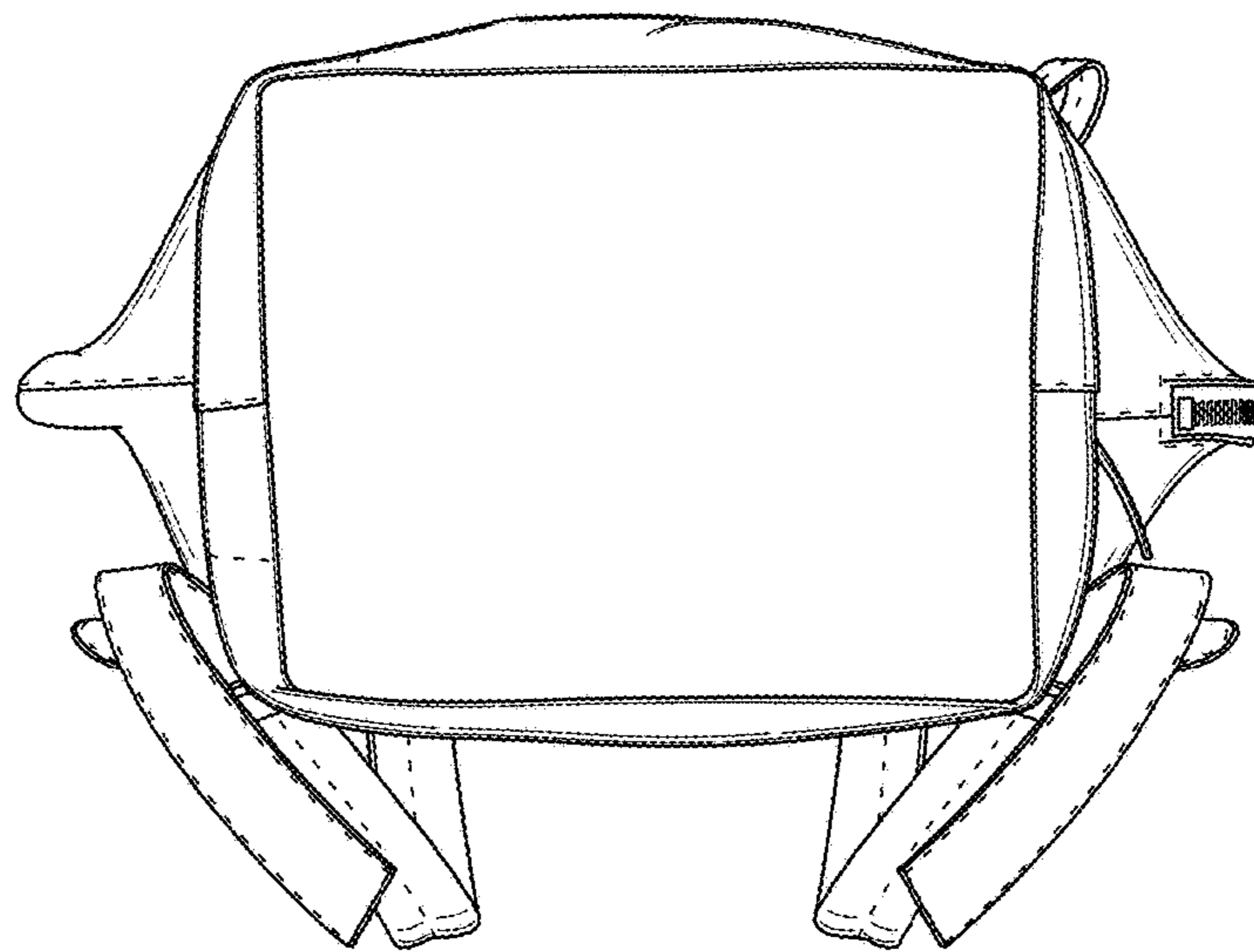


FIG. 14