



US00D858974S

(12) **United States Design Patent** (10) **Patent No.:** **US D858,974 S**  
**Petrie et al.** (45) **Date of Patent:** **\*\* Sep. 10, 2019**

(54) **SHOE UPPER**  
 (71) Applicant: **NIKE, Inc.**, Beaverton, OR (US)  
 (72) Inventors: **Jason G. Petrie**, Portland, OR (US);  
**Ronnie Fieg**, New York City, NY (US)  
 (73) Assignee: **NIKE, Inc.**, Beaverton, OR (US)  
 (\*\*) Term: **15 Years**  
 (21) Appl. No.: **29/623,553**  
 (22) Filed: **Oct. 25, 2017**  
 (51) **LOC (12) Cl.** ..... **02-99**  
 (52) **U.S. Cl.**  
 USPC ..... **D2/973**  
 (58) **Field of Classification Search**  
 USPC ..... D2/896, 902, 906-908, 946, 947, 969,  
 D2/972-974, 978; D5/47, 49, 50, 53, 54,  
 D5/56, 60  
 CPC ... A43B 13/181; A43B 13/141; A43B 13/186;  
 A43B 13/188; A43B 23/00; A43B 23/02;  
 A43B 5/00; A43B 23/26; A43B 1/04;  
 A43B 11/14; A43B 7/00; A43B 3/12;  
 A43C 3/00; A43C 5/00; A43C 7/00;  
 A43C 11/004  
 See application file for complete search history.

D516,787 S \* 3/2006 Johnson ..... D2/969  
 D545,541 S \* 7/2007 Belley ..... D2/923  
 D560,893 S \* 2/2008 Belley ..... D2/969  
 D575,481 S \* 8/2008 Santos ..... D2/896  
 D593,293 S \* 6/2009 Belley ..... D2/969  
 D712,131 S \* 9/2014 Leleu ..... D2/972  
 D774,292 S \* 12/2016 Spring ..... D2/925  
 D779,192 S \* 2/2017 Desphy ..... D2/973  
 D783,263 S \* 4/2017 Goldstein ..... D2/973  
 D790,202 S \* 6/2017 Devito ..... D2/973  
 D790,203 S \* 6/2017 Devito ..... D2/973  
 D790,829 S \* 7/2017 Goldstein ..... D2/969  
 D796,827 S \* 9/2017 Small ..... D2/972  
 D798,582 S \* 10/2017 James ..... D2/972  
 D811,057 S \* 2/2018 Zanotti ..... D2/902  
 D816,976 S \* 5/2018 Small ..... D2/973

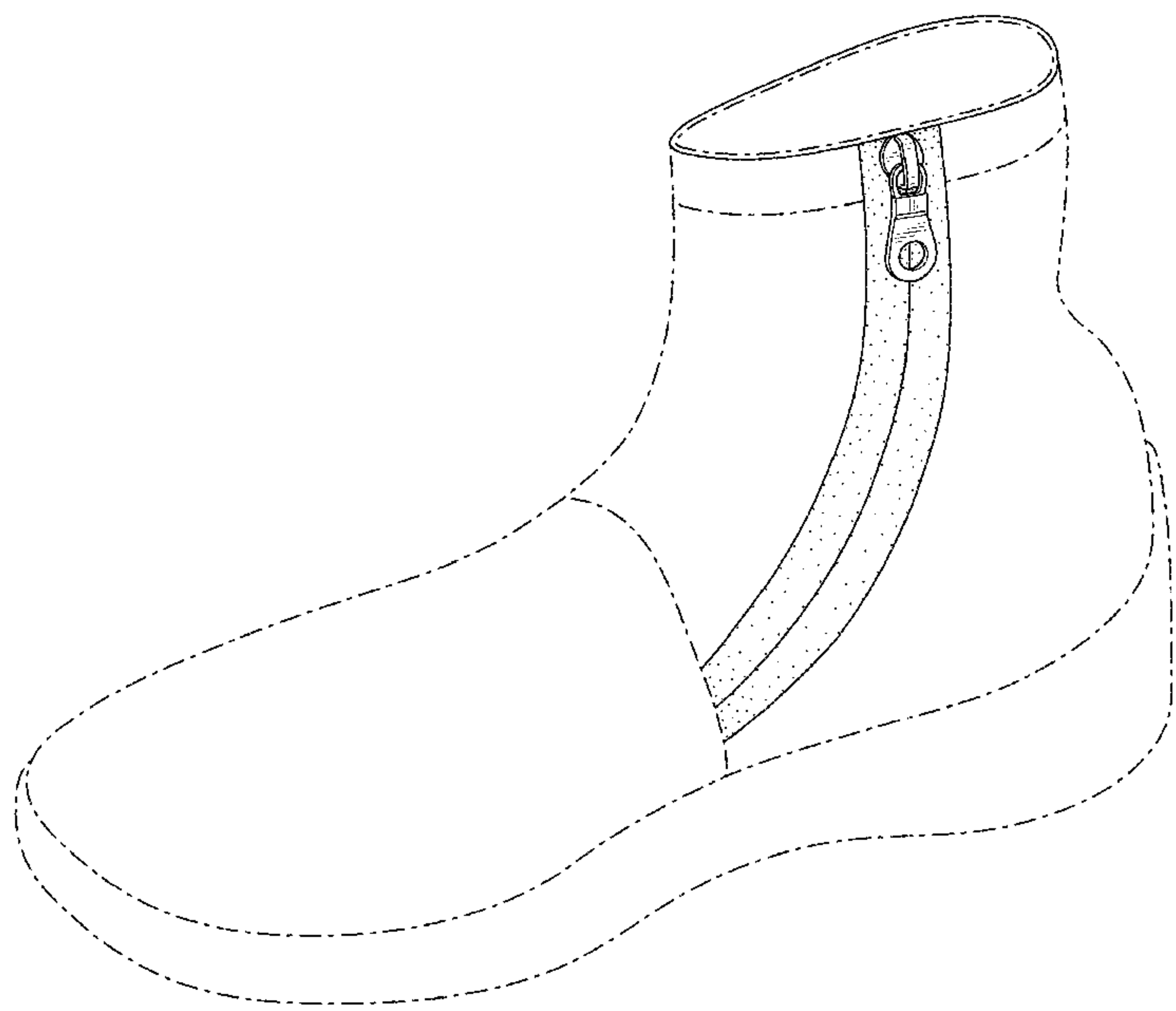
\* cited by examiner  
*Primary Examiner* — Dominic V Simone  
 (74) *Attorney, Agent, or Firm* — Banner & Witcoff, Ltd.

(57) **CLAIM**  
 The ornamental design for a shoe upper, as shown and described.

**DESCRIPTION**  
 FIG. 1 is a front perspective view of a shoe upper showing our new design;  
 FIG. 2 is a side view thereof; and,  
 FIG. 3 is a rear perspective view thereof.  
 The broken line immediately adjacent to the forward front end of the shaded area defines a bounds of the claimed design and forms no part thereof. The broken lines showing the remainder of the shoe represent unclaimed subject matter and form no part of the claimed design.

**1 Claim, 3 Drawing Sheets**

(56) **References Cited**  
 U.S. PATENT DOCUMENTS  
 D84,519 S \* 6/1931 Ebling ..... D2/973  
 D120,796 S \* 5/1940 Berkman ..... D2/943  
 D385,405 S \* 10/1997 Lozano ..... D2/943  
 D489,522 S \* 5/2004 Benini ..... D2/969  
 D504,206 S \* 4/2005 Bandini ..... D2/969



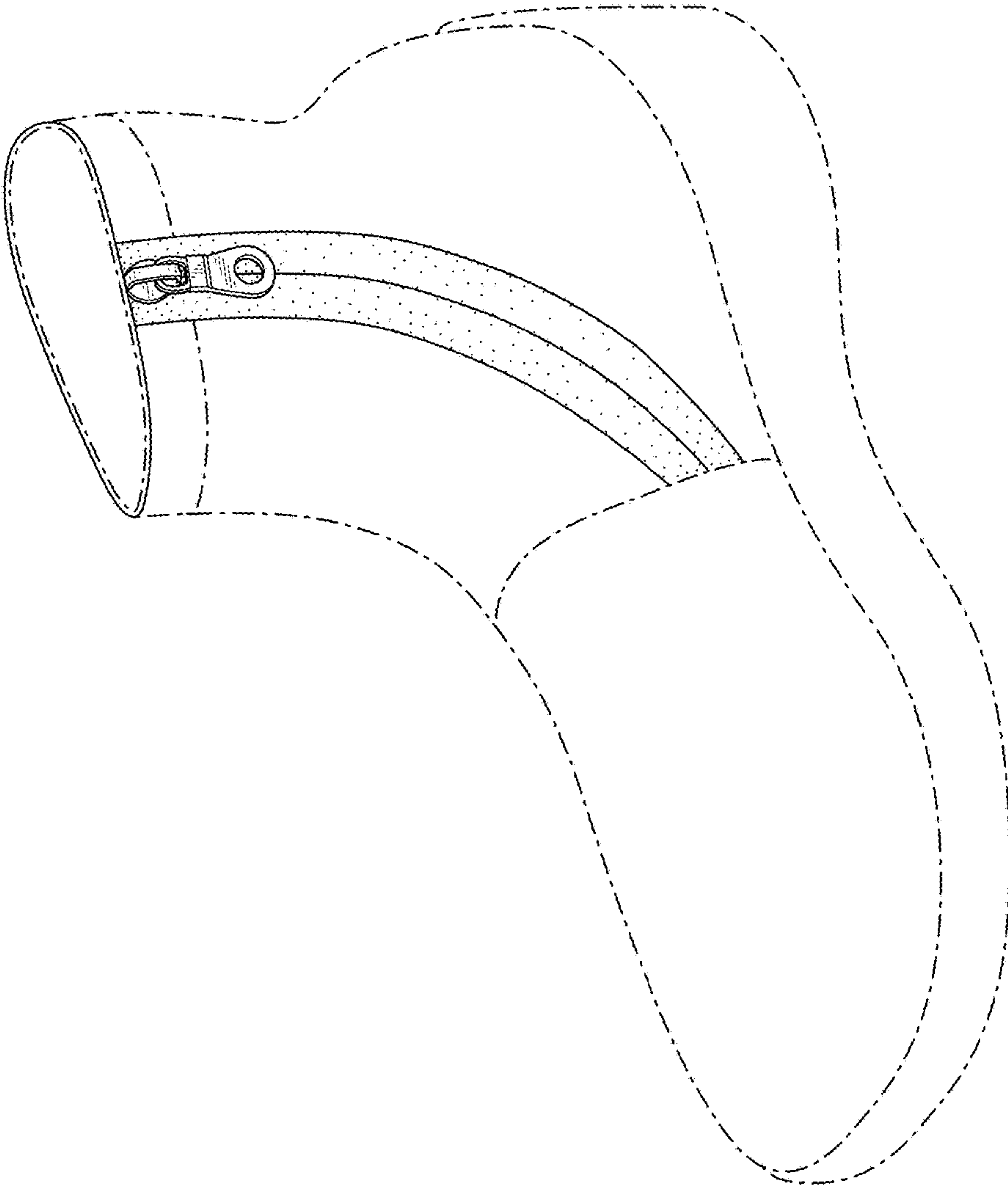


FIG. 1

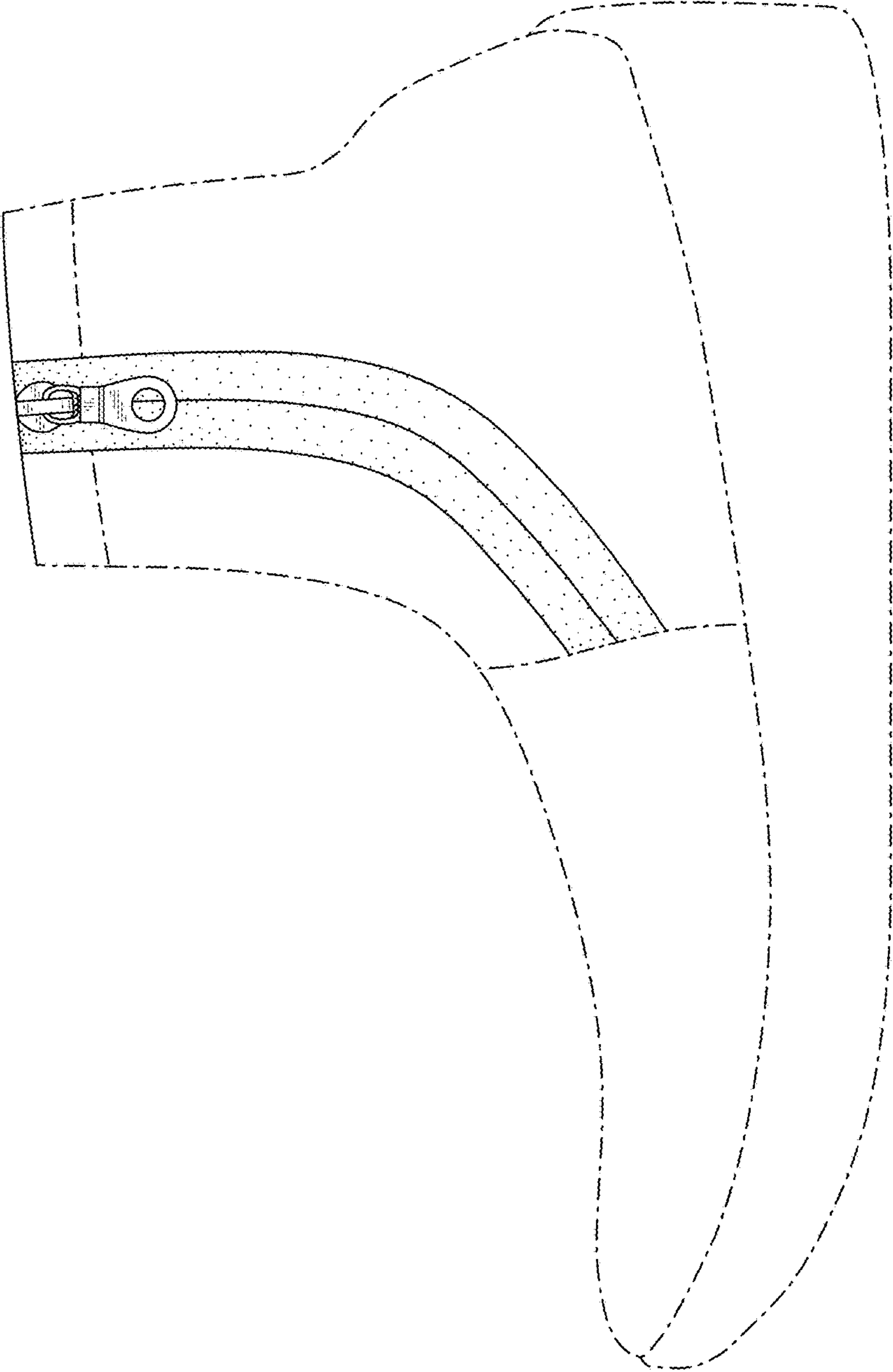


FIG. 2

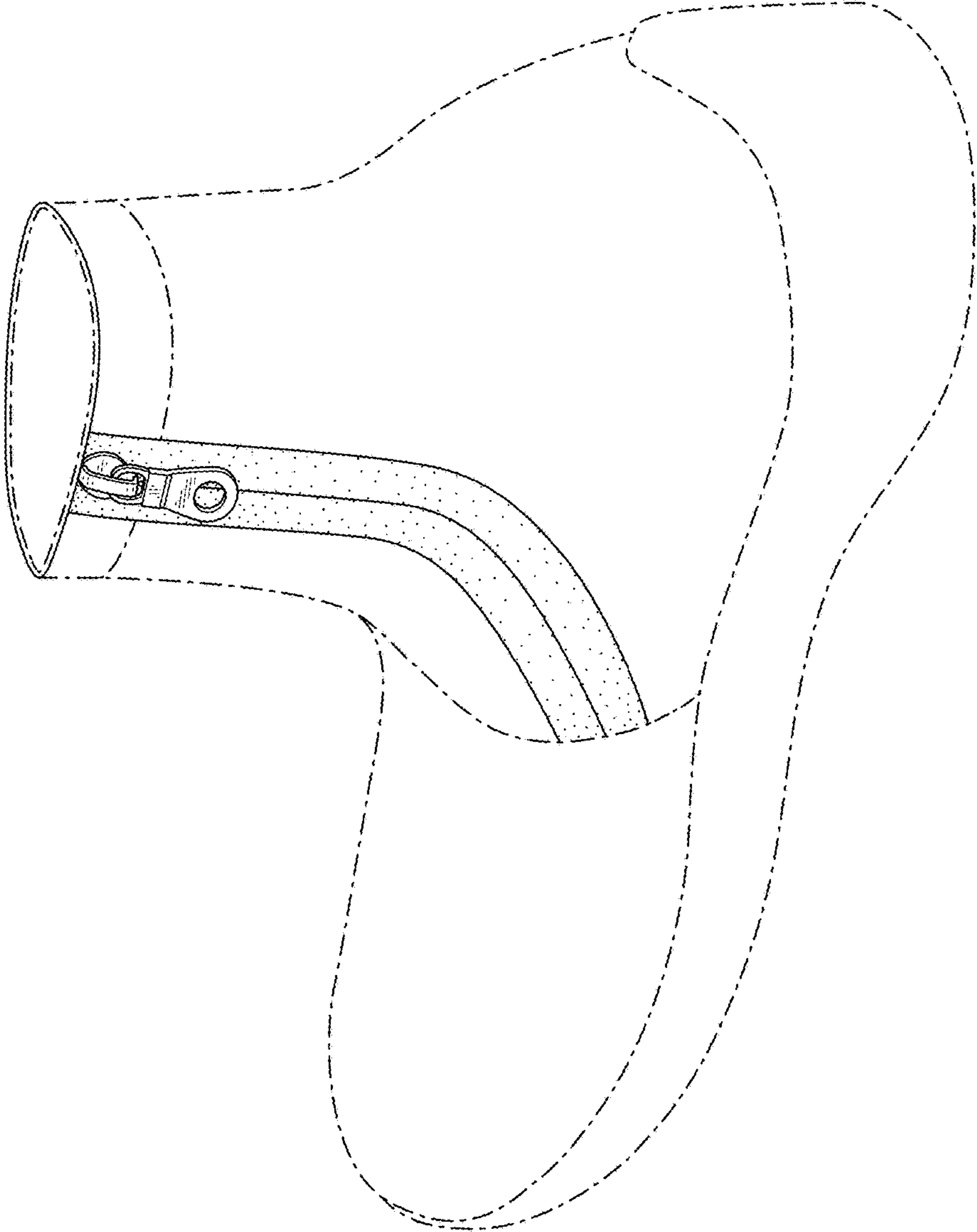


FIG. 3