



US00D858973S

(12) **United States Design Patent**
Vega

(10) **Patent No.:** **US D858,973 S**

(45) **Date of Patent:** **** *Sep. 10, 2019**

(54) **FOOTWEAR**

(71) Applicant: **Columbia Sportswear North America, Inc.**, Portland, OR (US)

(72) Inventor: **Rommel Vega**, Portland, OR (US)

(73) Assignee: **Columbia Sportswear North America, Inc.**, Portland, OR (US)

(*) Notice: This patent is subject to a terminal disclaimer.

(**) Term: **15 Years**

(21) Appl. No.: **29/640,127**

(22) Filed: **Mar. 12, 2018**

Related U.S. Application Data

(63) Continuation of application No. 29/566,313, filed on May 27, 2016.

(51) **LOC (12) Cl.** **02-04**

(52) **U.S. Cl.**
USPC **D2/970; D2/912**

(58) **Field of Classification Search**
USPC D2/896-900, 909-912, 946, 969,
D2/970-974

CPC .. A43B 5/00; A43B 23/02; A43B 5/04; A43B
23/00

See application file for complete search history.

(56) **References Cited**

U.S. PATENT DOCUMENTS

D613,932 S * 4/2010 Portzline D2/911
D659,975 S * 5/2012 Funck D2/912

D662,303 S * 6/2012 Denniston D2/911
D677,873 S * 3/2013 Portzline D2/912
D678,666 S * 3/2013 Portzline D2/912
D701,377 S * 3/2014 Spring D2/912
D701,379 S * 3/2014 Neely D2/912
D701,382 S * 3/2014 Neely D2/912
D701,683 S * 4/2014 Neely D2/912

* cited by examiner

Primary Examiner — Rashida C. Walshon

(74) *Attorney, Agent, or Firm* — Schwabe, Williamson & Wyatt, P.C.

(57) **CLAIM**

I claim the ornamental design for footwear, as shown and described.

DESCRIPTION

FIG. 1 is a front perspective view of footwear, showing my design;

FIG. 2 is left side view thereof;

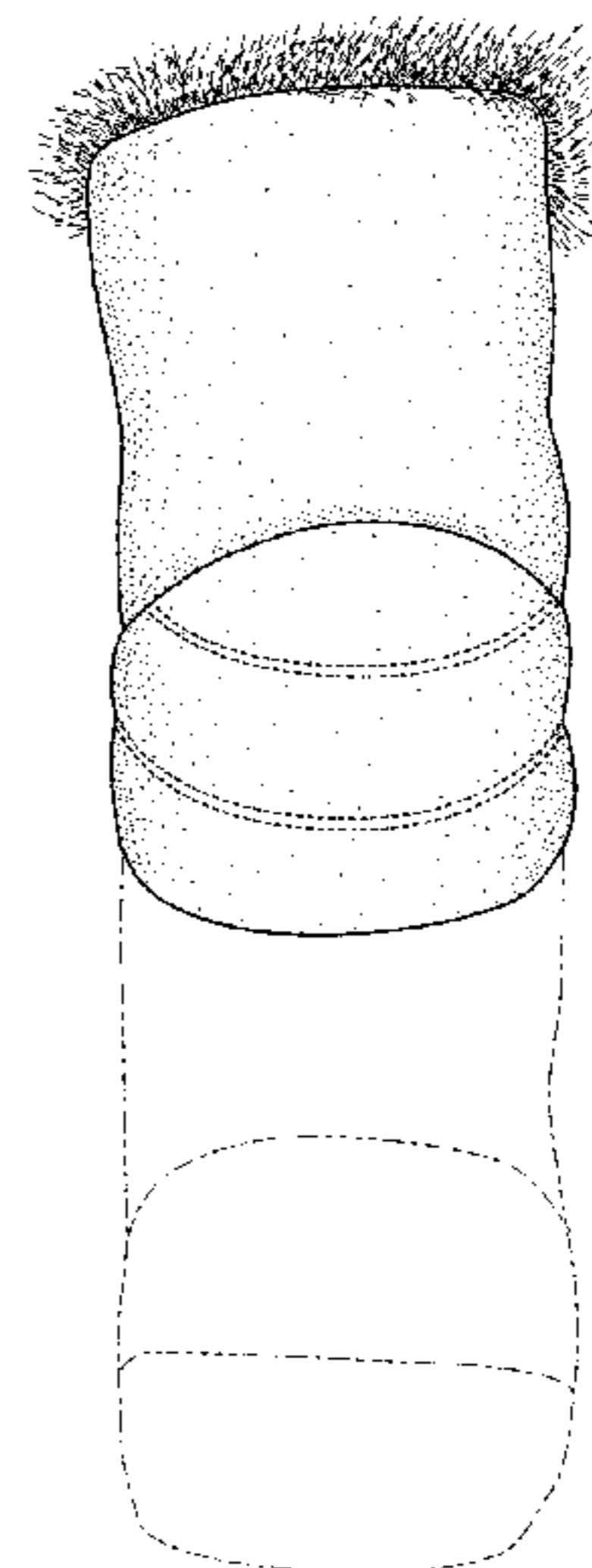
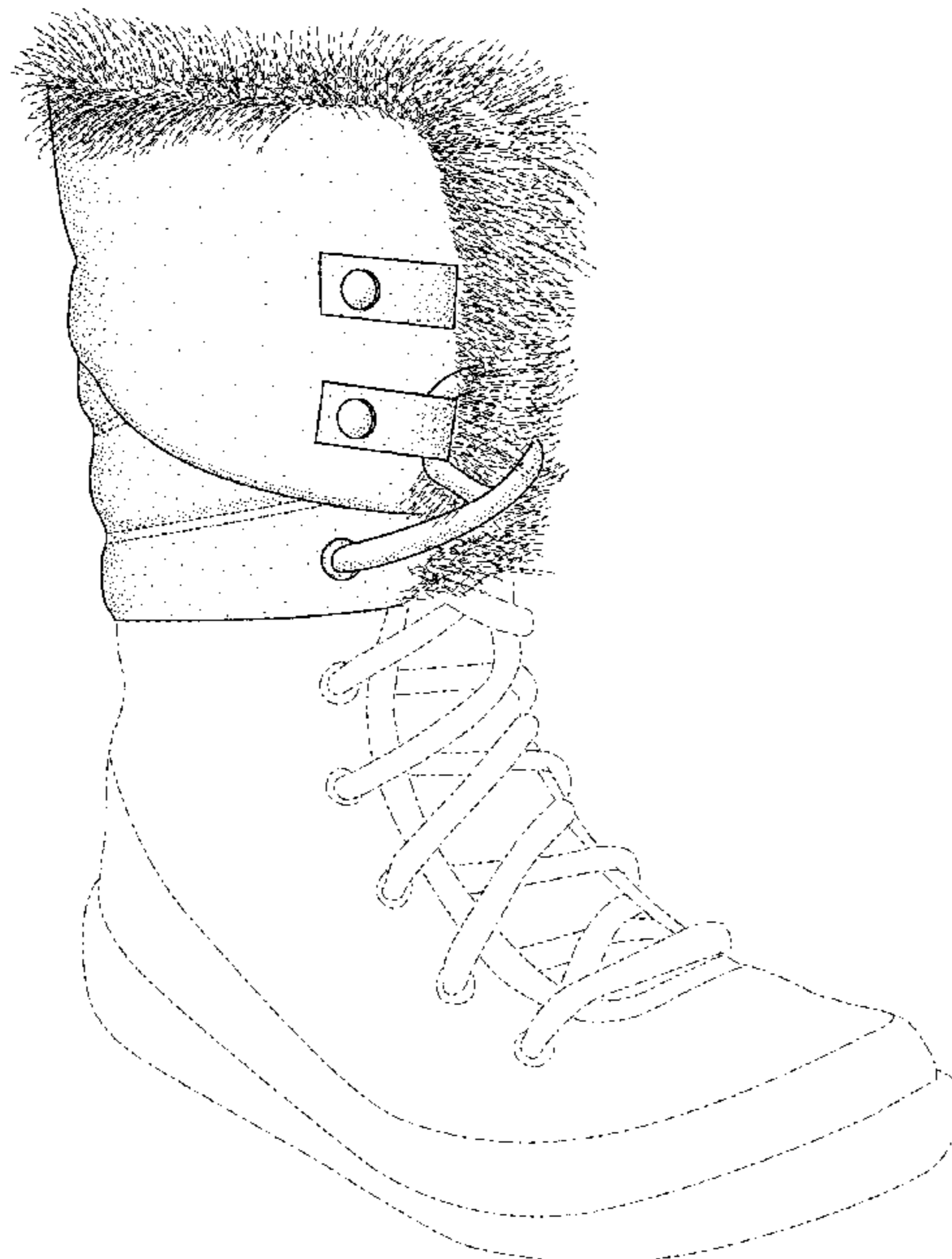
FIG. 3 is a right side view thereof;

FIG. 4 is a front view thereof; and,

FIG. 5 is a back view thereof.

The even dashed line stitching on the upper is part of the claimed design. The fur on the upper is shown in dashed lines and forms no part of the claimed design. And, the dash-dot-dash broken lines used for the lower portion of the upper, the outsole/midsole, and portions of the lacing are included for illustrating environmental structure and form no part of the claimed design.

1 Claim, 4 Drawing Sheets



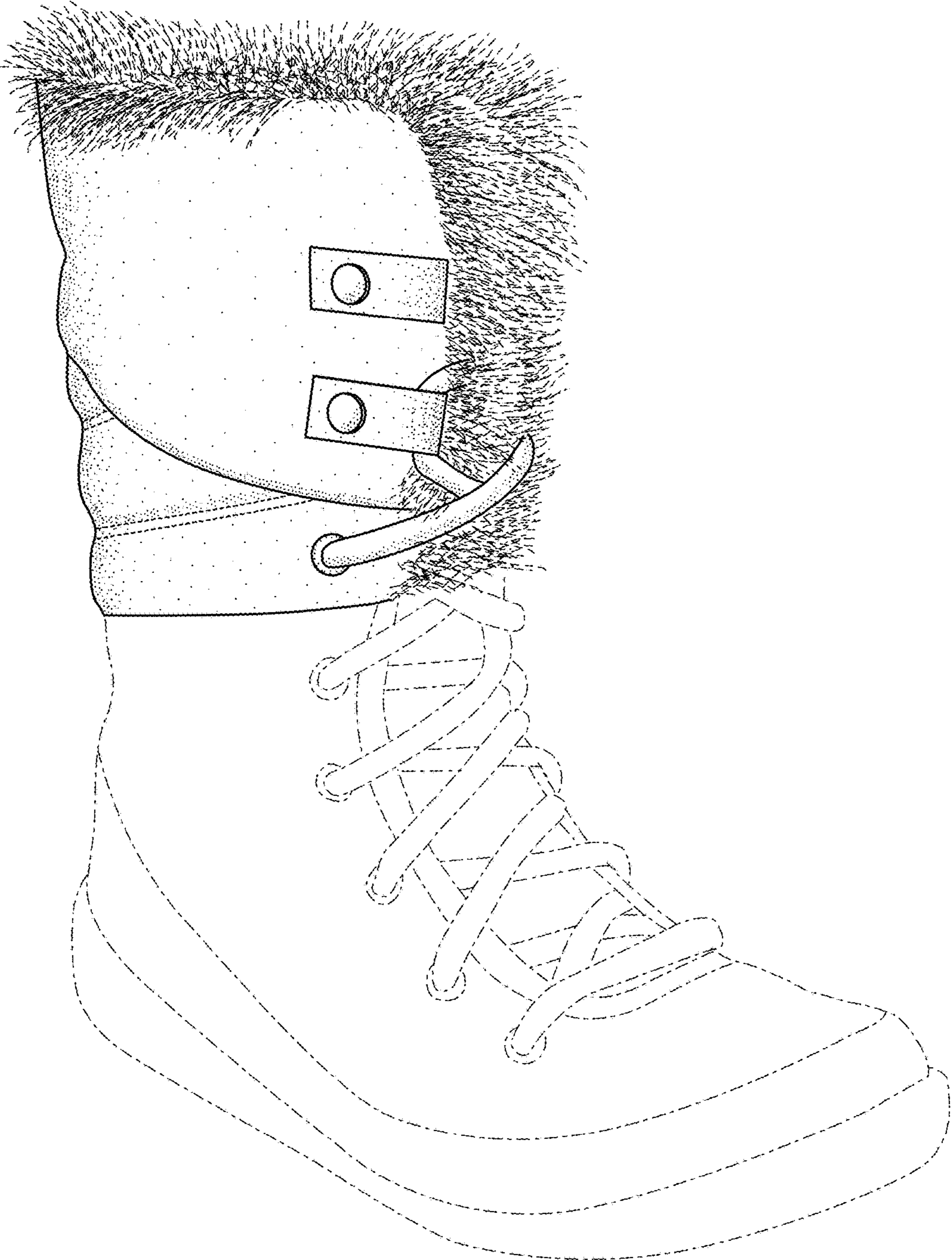


FIG. 1



FIG. 2

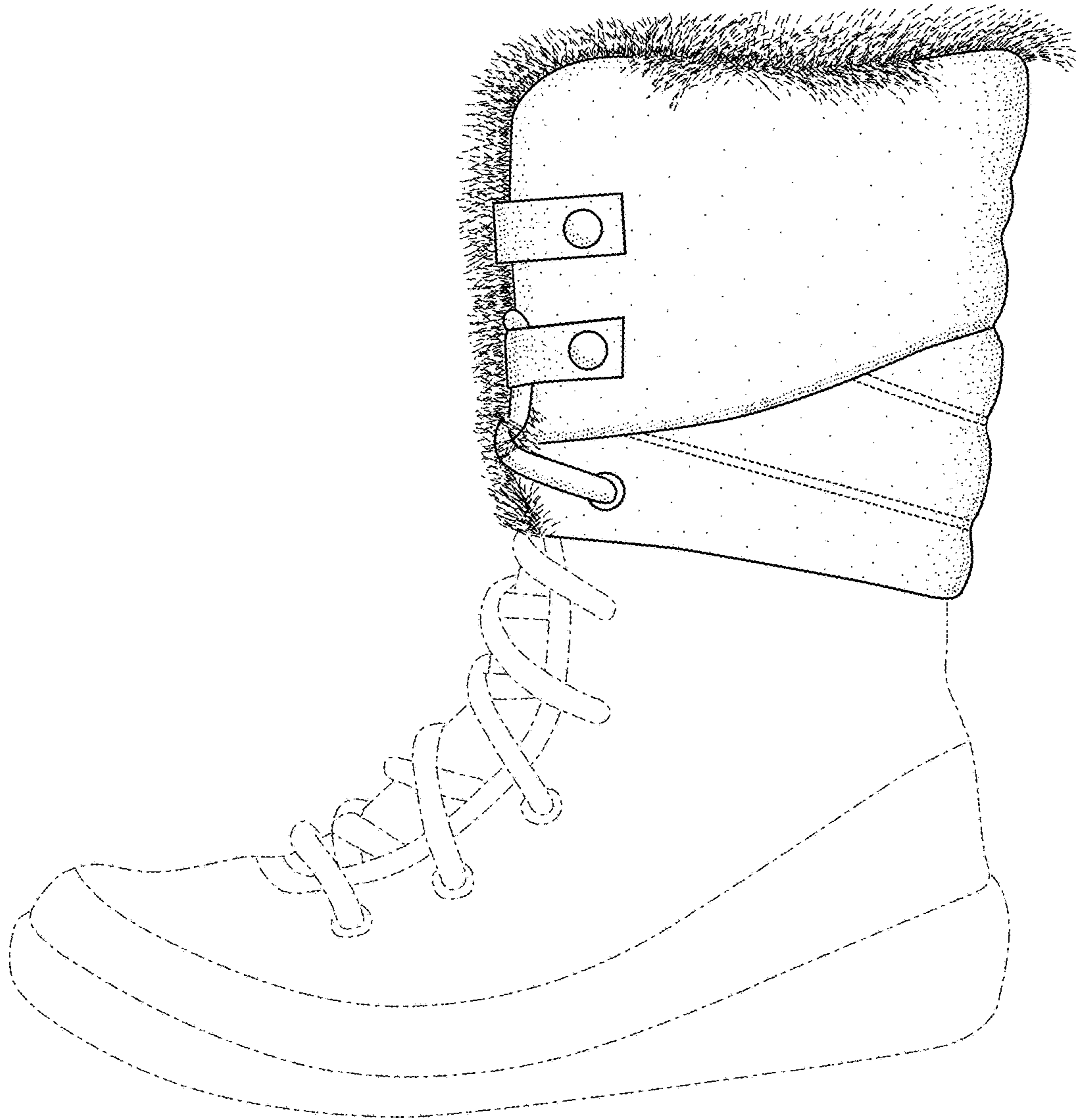


FIG. 3

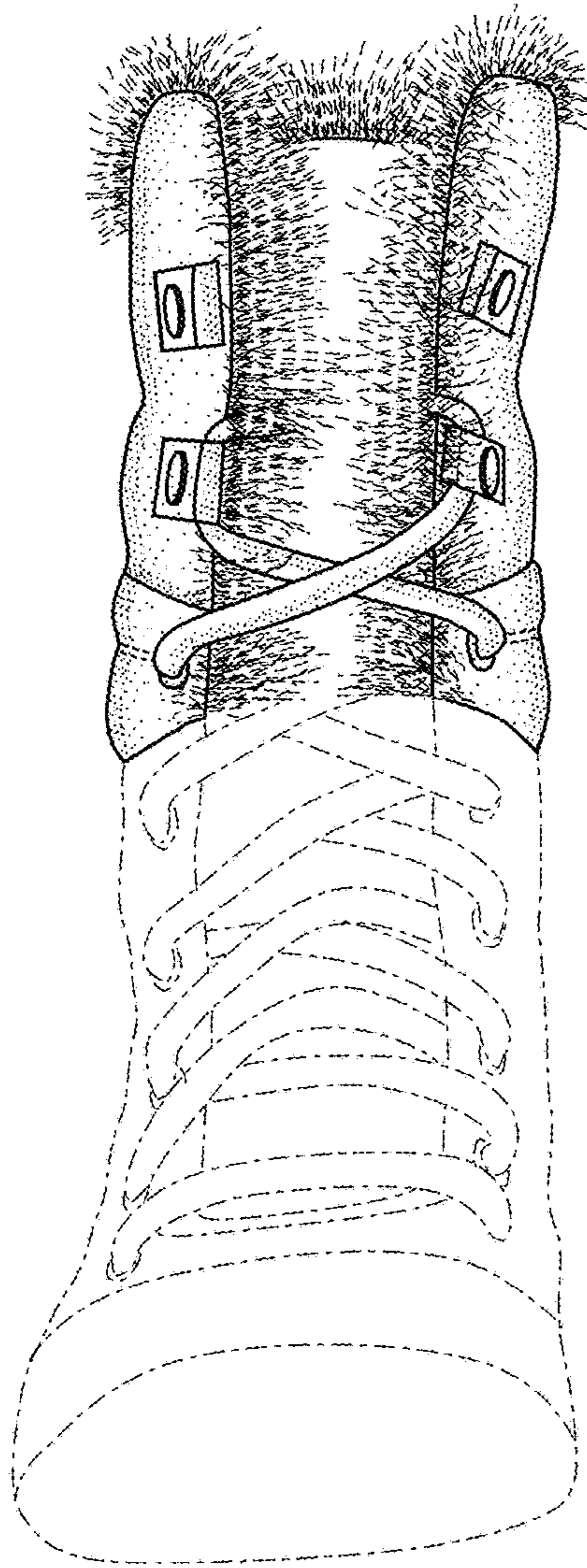


FIG. 4

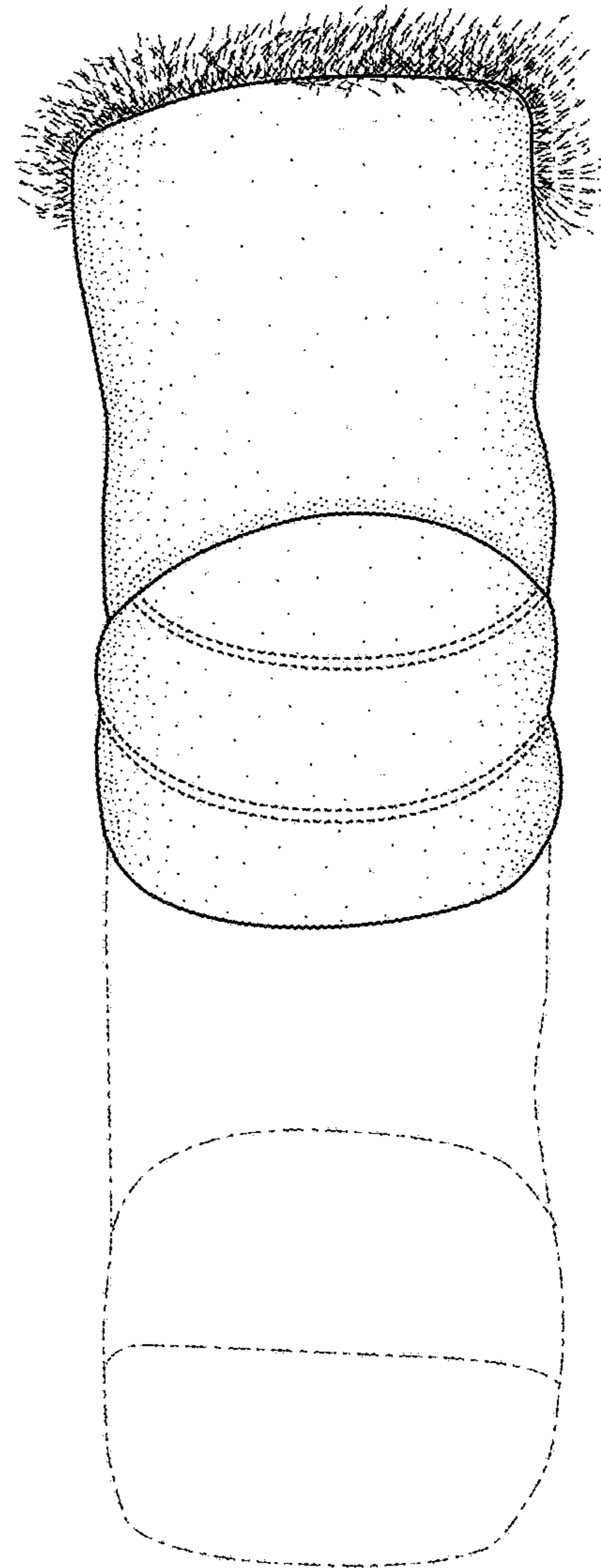


FIG. 5