



US00D858969S

(12) **United States Design Patent**
Miranda

(10) **Patent No.:** **US D858,969 S**

(45) **Date of Patent:** **** Sep. 10, 2019**

(54) **INSOLE**

(71) Applicant: **Bayer Healthcare LLC**, Whippany, NJ
(US)

(72) Inventor: **Daniel L. Miranda**, Basking Ridge, NJ
(US)

(73) Assignee: **Bayer Healthcare LLC**, Whippany, NJ
(US)

(**) Term: **15 Years**

(21) Appl. No.: **29/649,569**

(22) Filed: **May 31, 2018**

(51) **LOC (12) Cl.** **02-04**

(52) **U.S. Cl.**
USPC **D2/961**

(58) **Field of Classification Search**
USPC D2/896, 946, 947, 951, 953, 954, 955,
D2/956, 961
CPC A43B 13/00; A43B 13/02; A43B 13/04;
A43B 13/14; A43B 13/141; A43B 13/18;
A43B 13/181; A43B 13/32; A43B 13/38;
A43B 13/40; A43B 17/00; A43B 17/003;
A43B 17/14; A43B 19/00

See application file for complete search history.

(56) **References Cited**

U.S. PATENT DOCUMENTS

- 6,301,805 B1 * 10/2001 Howlett A43B 7/142
36/145
- 6,481,120 B1 * 11/2002 Xia A43B 13/12
36/140
- D515,293 S * 2/2006 Maguire D2/961
- D664,754 S * 8/2012 Klein D2/961
- D665,566 S * 8/2012 Klein D2/961
- D710,080 S * 8/2014 Faux D2/961

- D722,754 S * 2/2015 Vasyli D2/961
- D771,363 S * 11/2016 Vasyli D2/961
- D771,364 S * 11/2016 Nester D2/961
- D771,365 S * 11/2016 Nester D2/961
- D827,270 S * 9/2018 Yang D2/961
- D827,271 S * 9/2018 Yang D2/961
- D827,272 S * 9/2018 Yang D2/961
- D827,999 S * 9/2018 Yang D2/961
- D833,132 S * 11/2018 Yang D2/961
- D833,726 S * 11/2018 Dai D2/961
- 2010/0205831 A1 * 8/2010 Cheskin A43B 1/0009
36/44
- 2014/0068965 A1 * 3/2014 Vattes A43B 13/40
36/10

* cited by examiner

Primary Examiner — Elizabeth J Oswecki

(74) *Attorney, Agent, or Firm* — Lowenstein Sandler LLP

(57) **CLAIM**

The ornamental design for an insole, as shown and described.

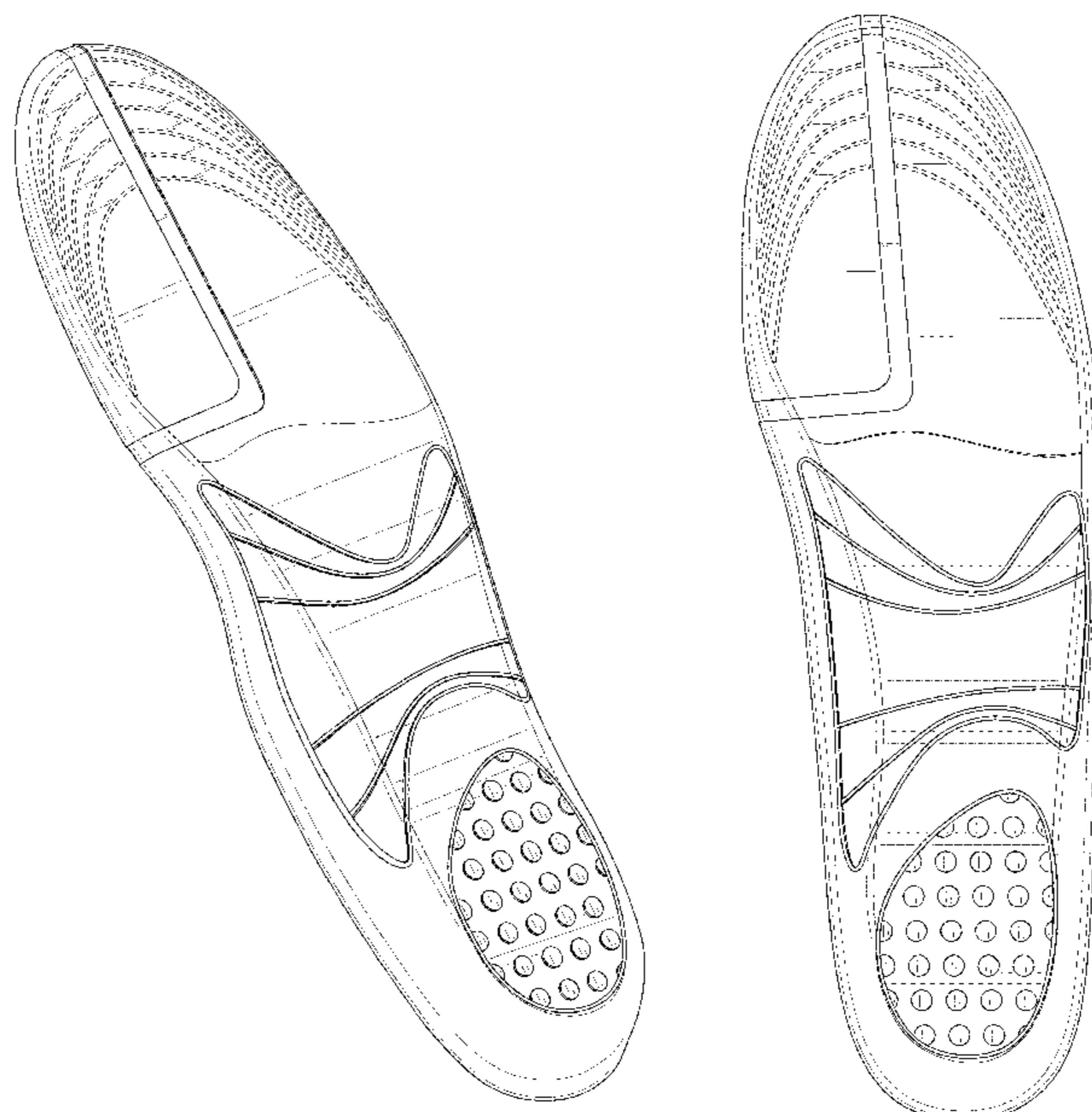
DESCRIPTION

FIG. 1 is a bottom perspective view of an insole showing my new design;
 FIG. 2 is a front view thereof;
 FIG. 3 is a rear view thereof;
 FIG. 4 is a side view thereof;
 FIG. 5 is an opposite side view thereof;
 FIG. 6 is a top view thereof; and,
 FIG. 7 is a bottom view thereof.

The insole shown in FIGS. 1-7 is for a left shoe. The corresponding insole for a right shoe is a mirror image of the insole for the left shoe and is not shown as it is considered duplicative.

Broken lines in the drawings illustrate portions of the insole that form no part of the claimed design.

1 Claim, 7 Drawing Sheets



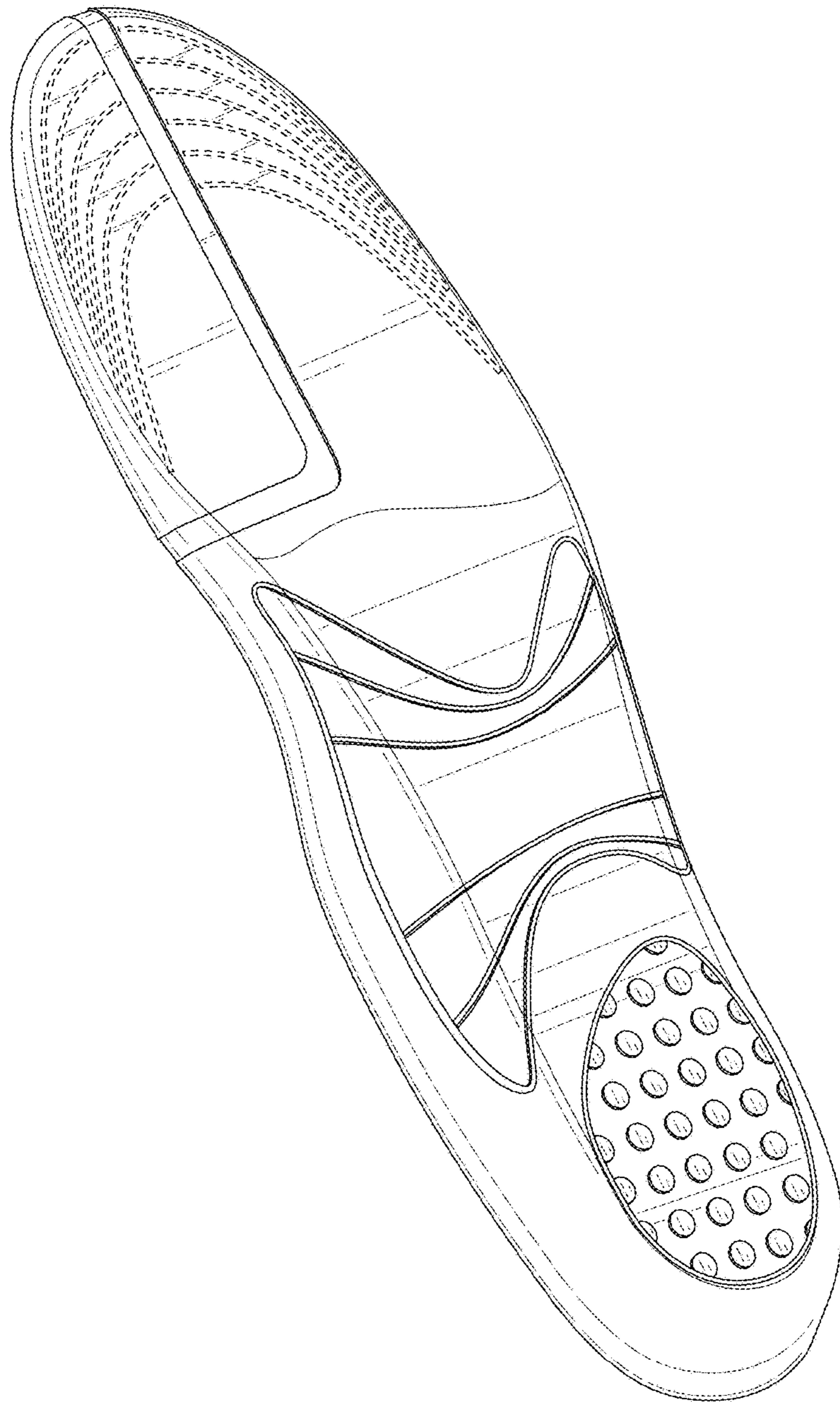


FIG. 1

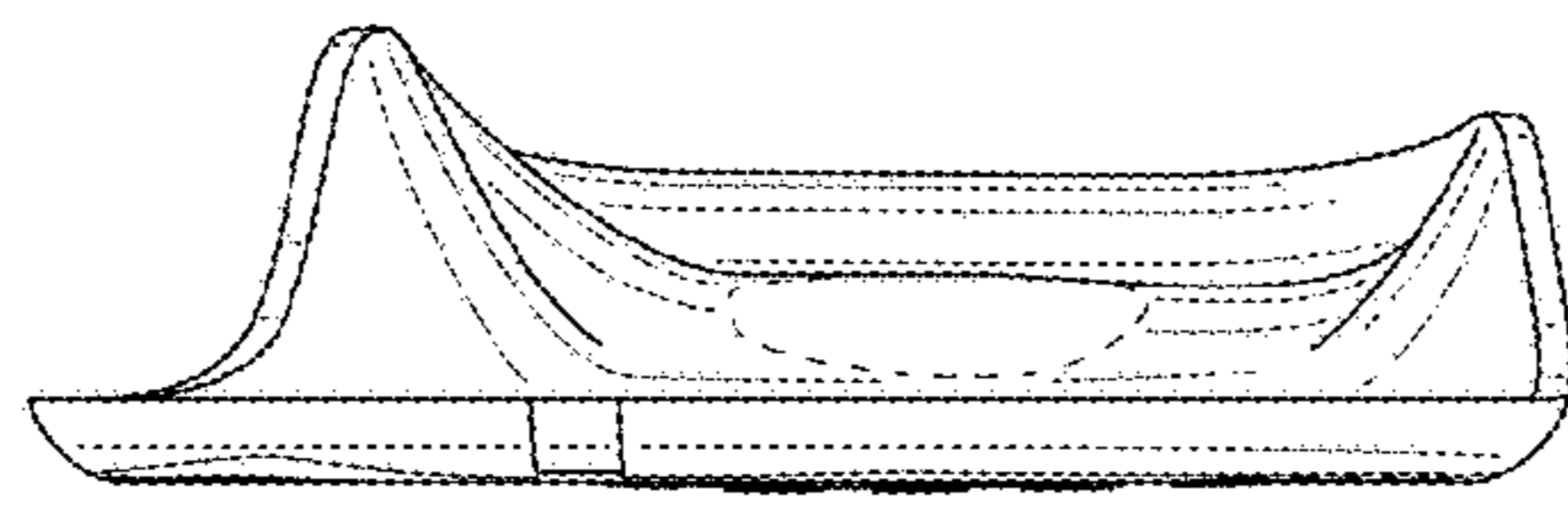


FIG. 2

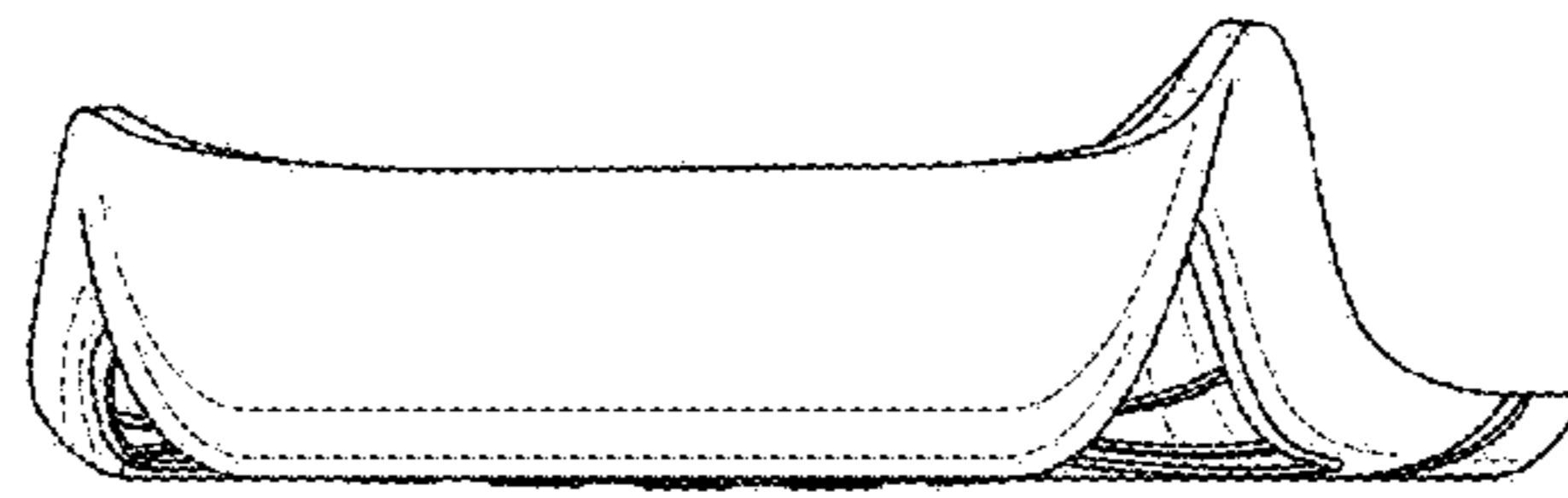


FIG. 3

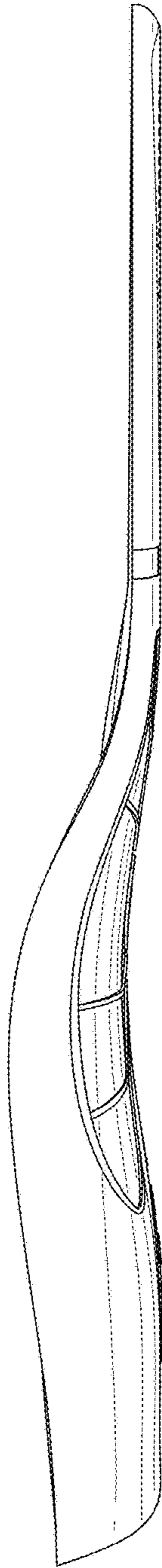


FIG. 4



FIG. 5

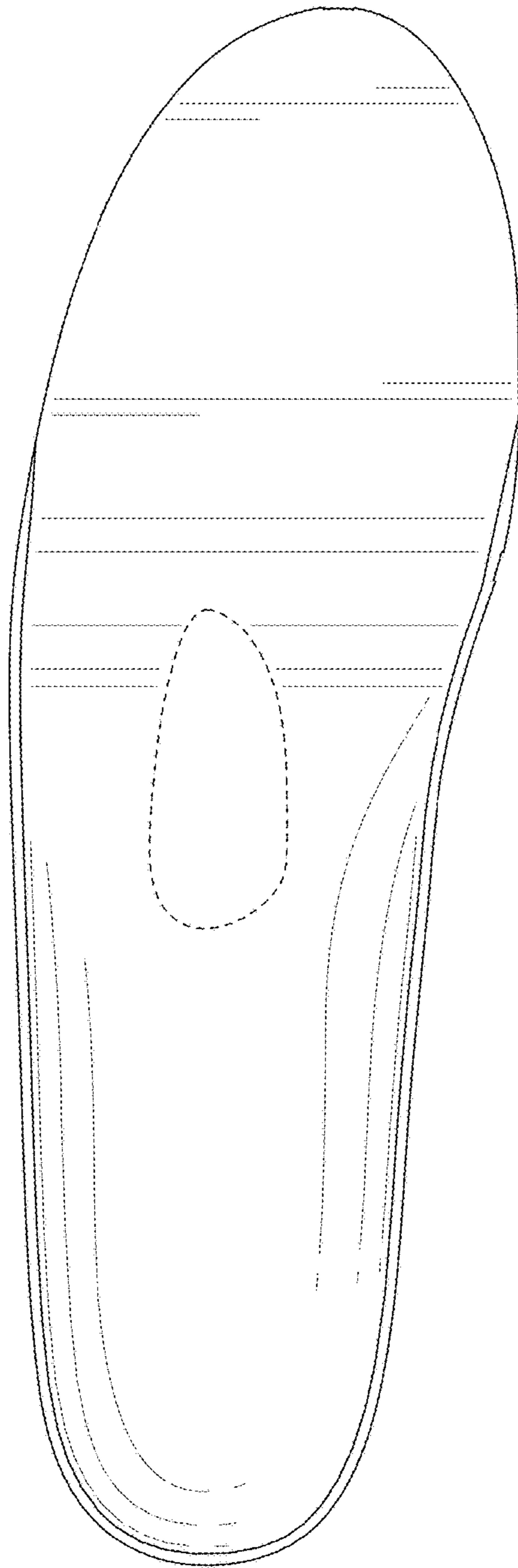


FIG. 6

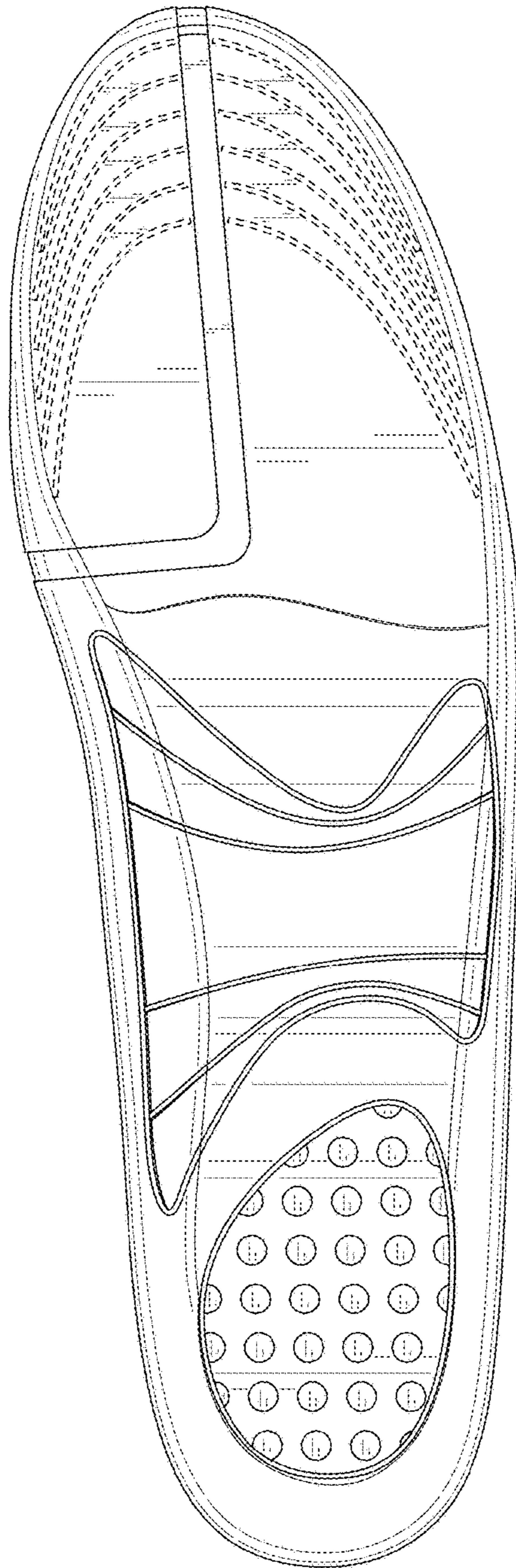


FIG. 7