



US00D858955S

(12) **United States Design Patent**
Bongers

(10) **Patent No.:** **US D858,955 S**

(45) **Date of Patent:** **** Sep. 10, 2019**

(54) **BOOT**

(71) Applicant: **Hevea B.V.**, Raalte (NL)

(72) Inventor: **Elroy Bongers**, Amersfoort (NL)

(73) Assignee: **HEVEA B.V.**, Raalte (NL)

(**) Term: **15 Years**

(21) Appl. No.: **29/644,489**

(22) Filed: **Apr. 18, 2018**

(30) **Foreign Application Priority Data**

Mar. 7, 2018 (WO) 006643801

(51) **LOC (12) Cl.** **02-04**

(52) **U.S. Cl.**
USPC **D2/910; D2/947; D2/951; D2/957**

(58) **Field of Classification Search**
USPC D2/896-900, 909-912, 947-957, 960,
D2/961, 970, 972, 977
CPC .. A43B 17/08; A43B 7/14; A43B 7/18; A43B
3/107; A43B 5/08; A43B 13/00-14; A43B
13/141-143
See application file for complete search history.

(56) **References Cited**

U.S. PATENT DOCUMENTS

D304,125 S * 10/1989 Kushitani D2/912
D315,823 S * 4/1991 Signori D2/910
D547,038 S * 7/2007 Nakano D2/957

D551,834 S * 10/2007 Favreau D2/953
D608,537 S * 1/2010 Anderson D2/951
D702,032 S * 4/2014 Nakano D2/951
D747,078 S * 1/2016 Feller D2/910
D769,588 S * 10/2016 Barker D2/910
D782,166 S * 3/2017 Feller D2/911
D811,705 S * 3/2018 Hughes D2/957
D812,359 S * 3/2018 Clough D2/970
D838,946 S * 1/2019 Barker D2/910
D839,578 S * 2/2019 Foust D2/970
2017/0079373 A1 * 3/2017 Huard A43B 13/026

* cited by examiner

Primary Examiner — Rashida C. Walshon

(74) *Attorney, Agent, or Firm* — Cantor Colburn LLP

(57) **CLAIM**

I claim, the ornamental design for a boot, as shown and described.

DESCRIPTION

FIG. 1 is a front perspective view of a boot, showing my new design;
FIG. 2 is a rear perspective view thereof;
FIG. 3 is a front elevation view thereof;
FIG. 4 is a side elevation view thereof, taken from the left of FIG. 3;
FIG. 5 is a side elevation view thereof, taken from the right of FIG. 3;
FIG. 6 is a rear elevation view thereof; and,
FIG. 7 is a top plan view thereof;
where portions shown in broken lines form no part of the claimed design.

1 Claim, 7 Drawing Sheets

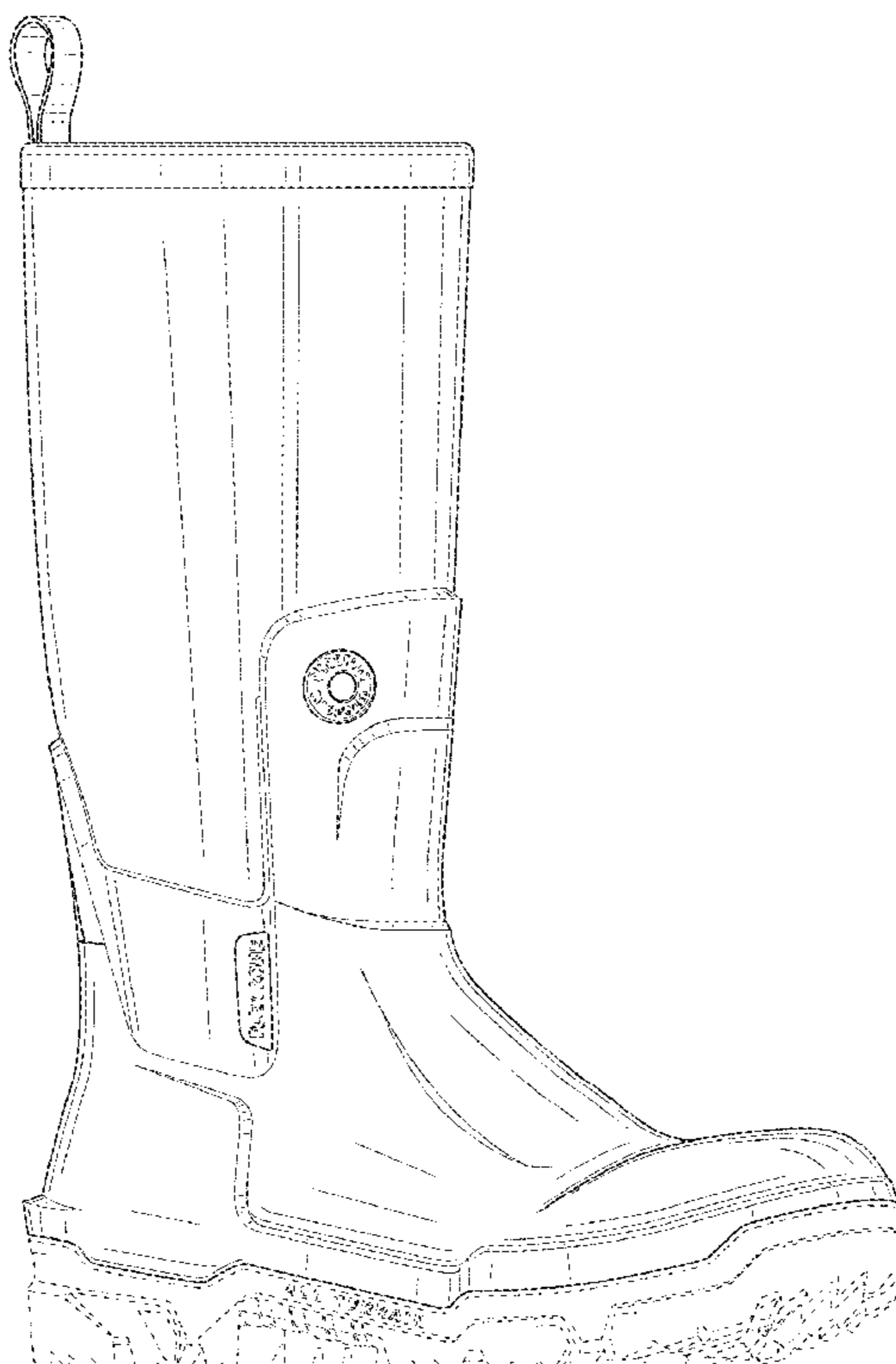




FIG. 1

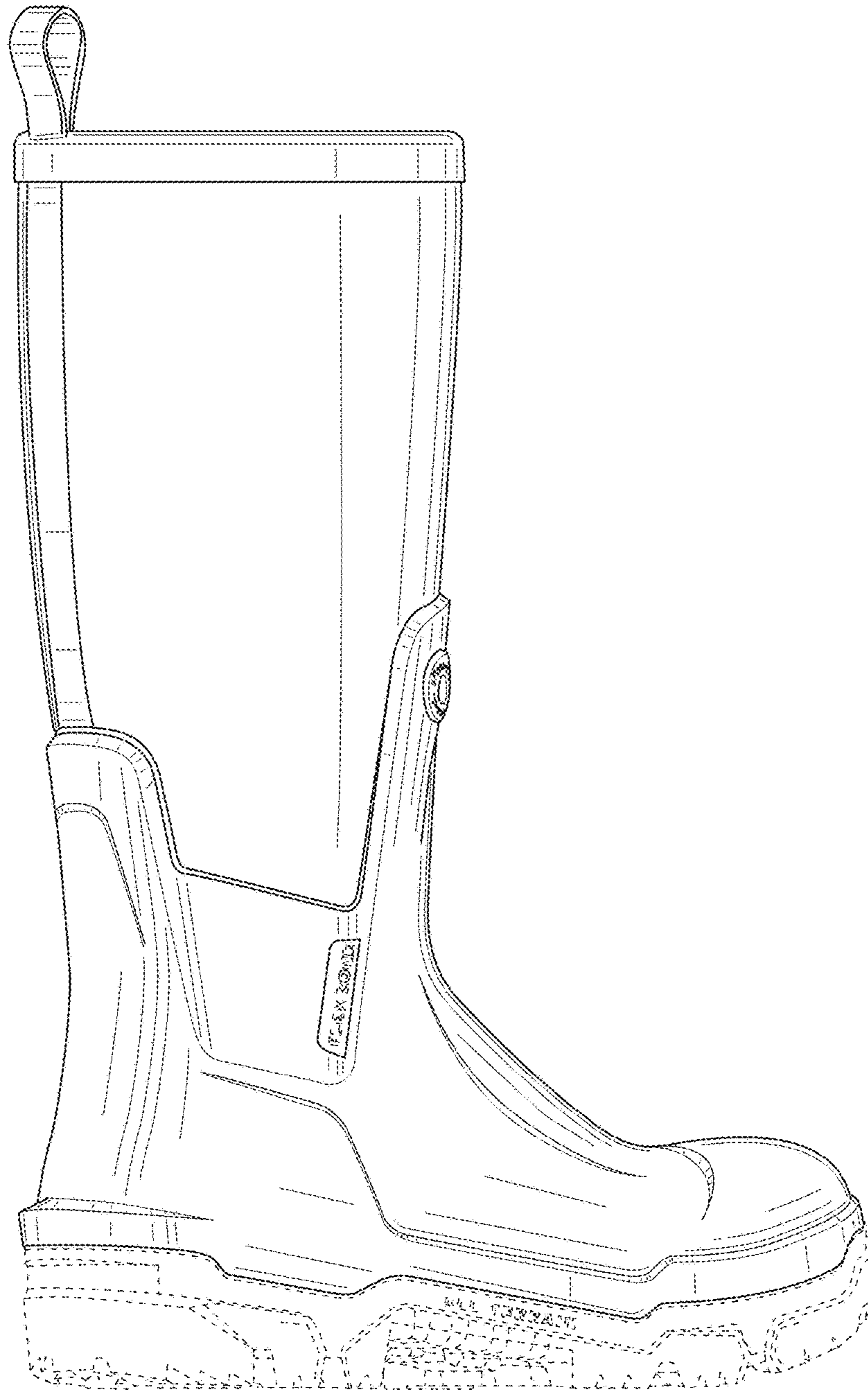


FIG. 2

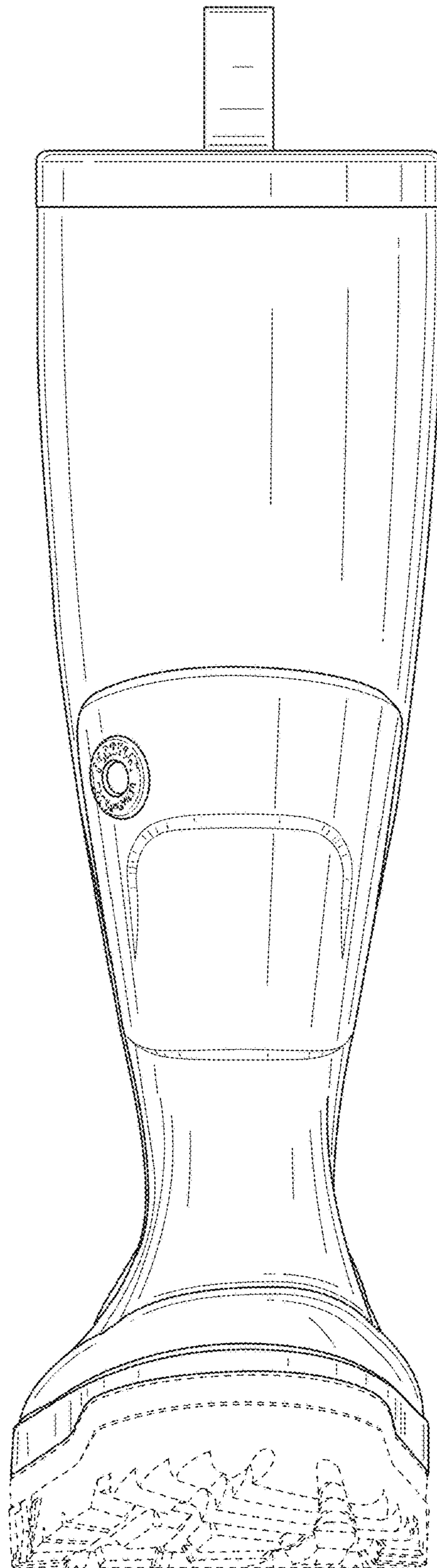


FIG. 3



FIG. 4



FIG. 5

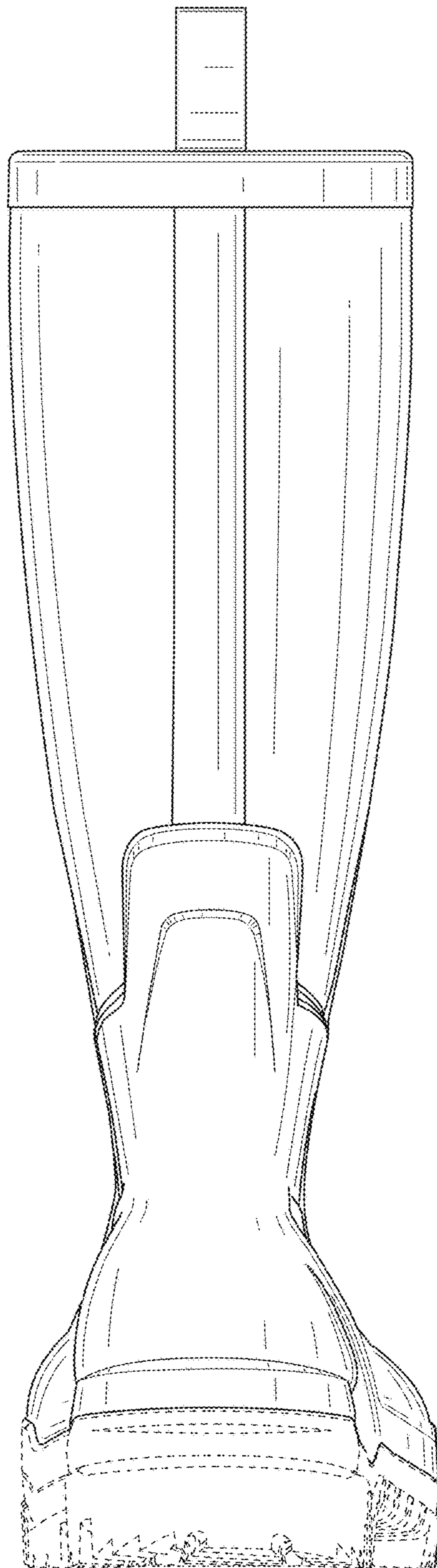


FIG. 6

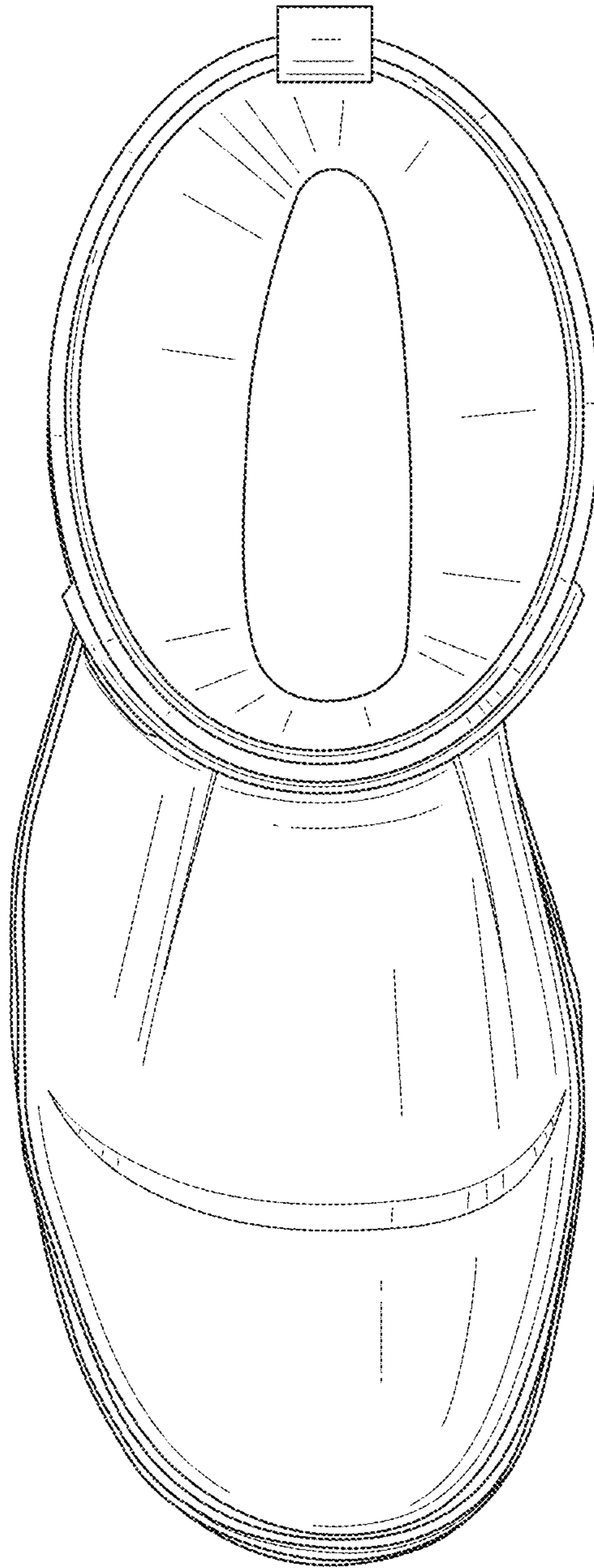


FIG. 7