



US00D858953S

(12) **United States Design Patent** (10) **Patent No.:** **US D858,953 S**
Sassi (45) **Date of Patent:** **** Sep. 10, 2019**

(54) **SHOE**

(71) Applicant: **VALENTINO S.p.A.**, Milan (IT)

(72) Inventor: **Stefano Sassi**, Milan (IT)

(73) Assignee: **VALENTINO S.p.A.**, Milan (IT)

(**) Term: **15 Years**

(21) Appl. No.: **29/604,329**

(22) Filed: **May 17, 2017**

(30) **Foreign Application Priority Data**

Nov. 18, 2016 (IT) 402016000116810

(51) **LOC (12) Cl.** **02-04**

(52) **U.S. Cl.**
USPC **D2/907; D2/929**

(58) **Field of Classification Search**

USPC D2/896, 902, 906-908, 929, 946, 947,
D2/969, 972-974, 976, 978; D5/47, 49,
D5/50, 53, 54, 56, 60

CPC ... A43B 13/181; A43B 13/141; A43B 13/186;
A43B 13/188; A43B 23/00; A43B 23/02;
A43B 5/00; A43B 23/26; A43B 1/04;
A43B 11/14; A43B 7/00; A43B 3/12;
A43C 3/00; A43C 5/00; A43C 7/00;
A43C 11/004

See application file for complete search history.

(56) **References Cited**

U.S. PATENT DOCUMENTS

D441,175 S *	5/2001	Ritter	D2/902
D575,941 S *	9/2008	Weber	D2/907
D636,564 S *	4/2011	Matsueda	D2/902
D746,578 S *	1/2016	Chang	D2/973
D779,796 S *	2/2017	Sassi	D2/929
D796,163 S *	9/2017	Lee	D2/902
D804,799 S *	12/2017	Petrenka	D2/969
D813,522 S *	3/2018	Cin	D2/973
D827,994 S *	9/2018	Sassi	D2/929

* cited by examiner

Primary Examiner — Dominic V Simone

(74) *Attorney, Agent, or Firm* — Thomas|Horstemeyer, LLP

(57) **CLAIM**

The ornamental design for a shoe, as shown and described.

DESCRIPTION

FIG. 1 is a perspective view of a shoe showing my new design;

FIG. 2 is a front view thereof;

FIG. 3 is a rear view thereof, opposite that of FIG. 2;

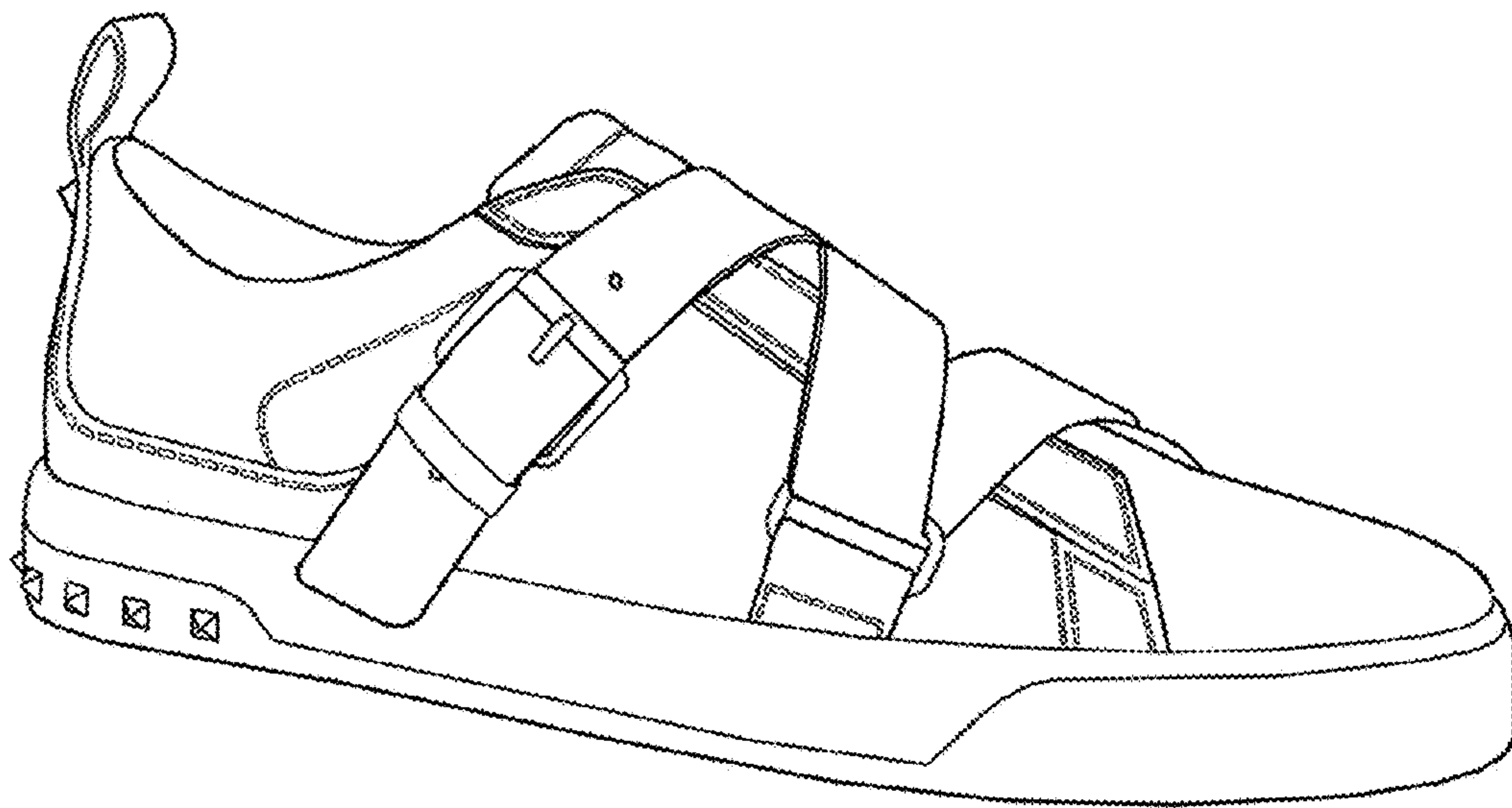
FIG. 4 is a side view thereof;

FIG. 5 is a side view thereof, from a side opposite that of FIG. 4;

FIG. 6 is a top view thereof; and,

FIG. 7 is a bottom view thereof.

1 Claim, 7 Drawing Sheets



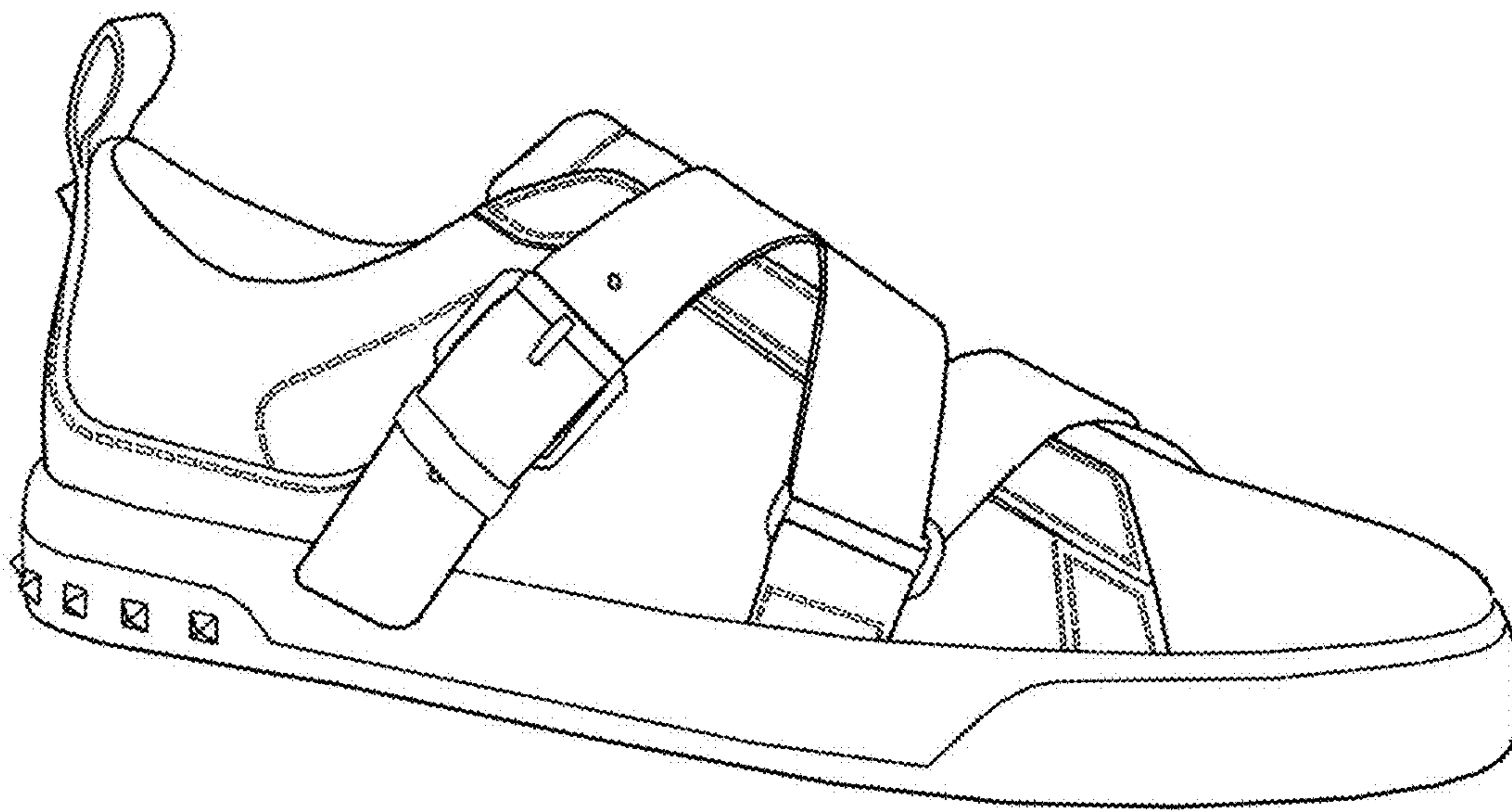


FIG. 1

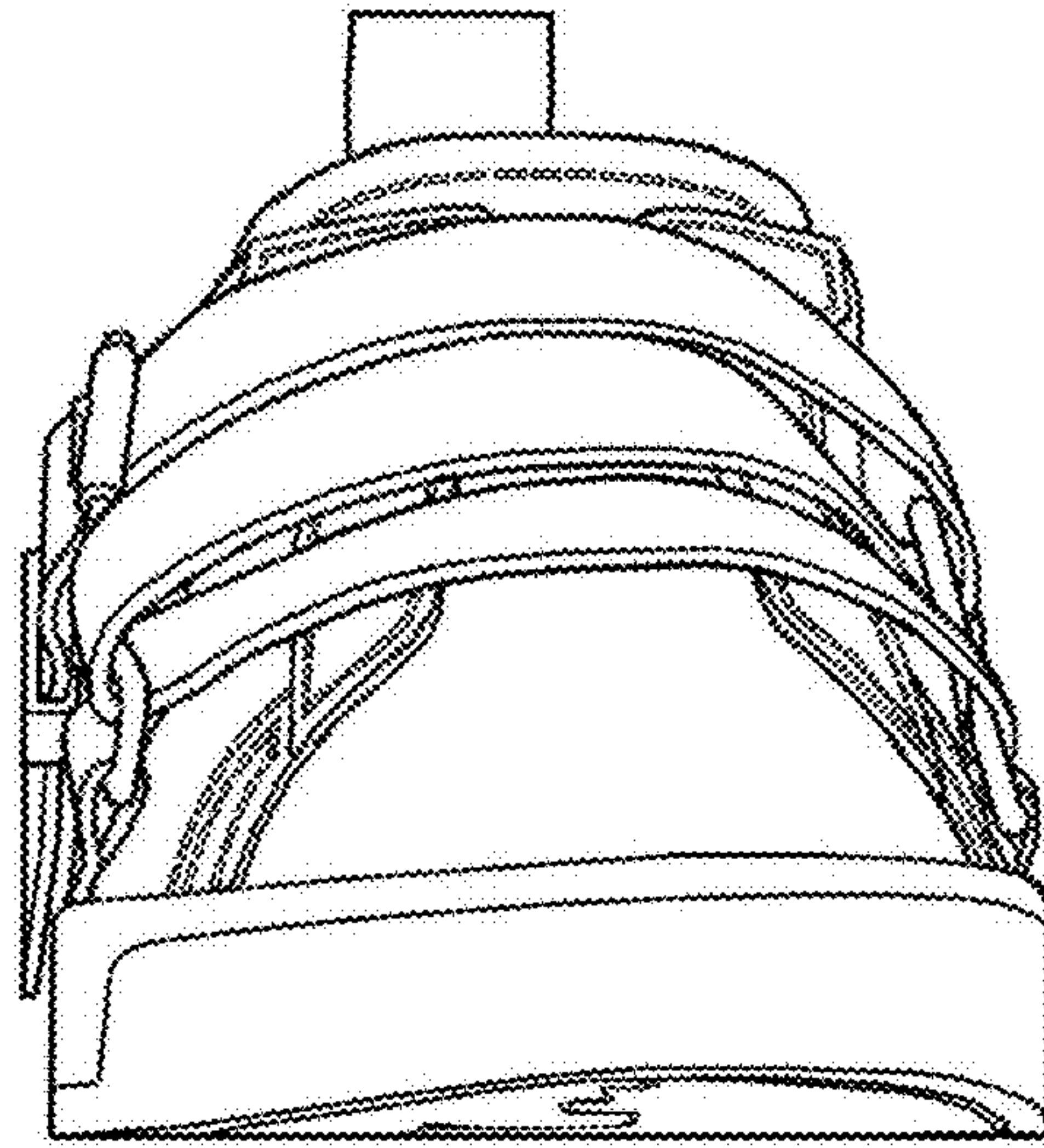


FIG. 2

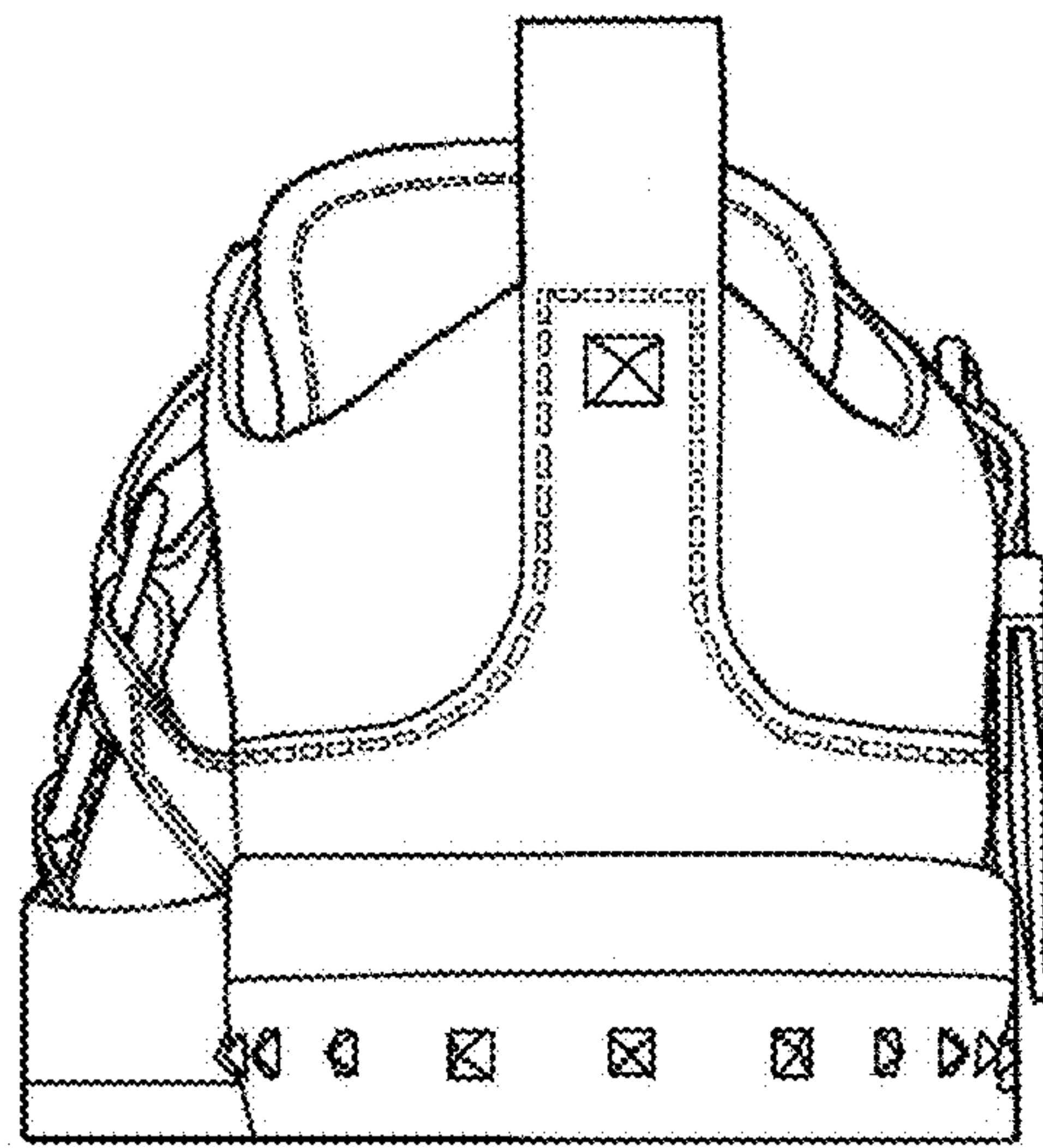


FIG. 3

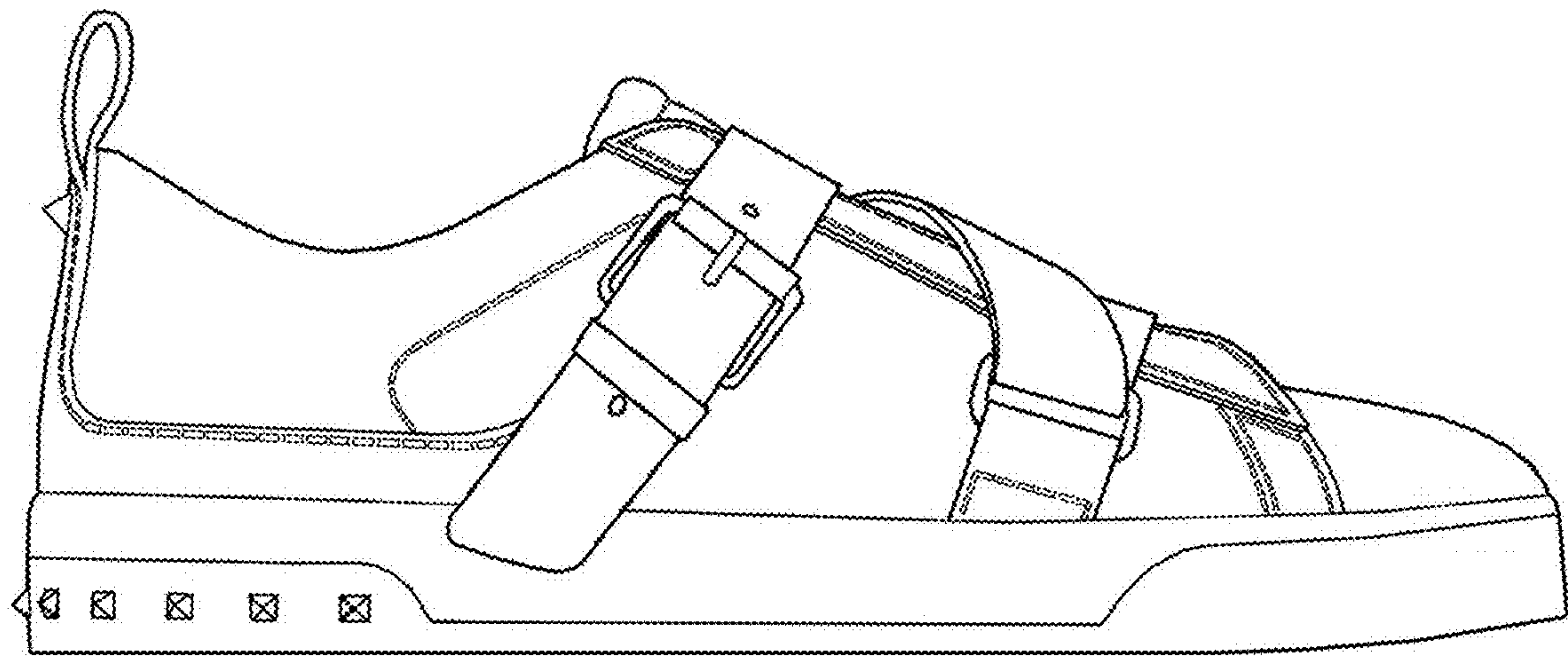


FIG. 4

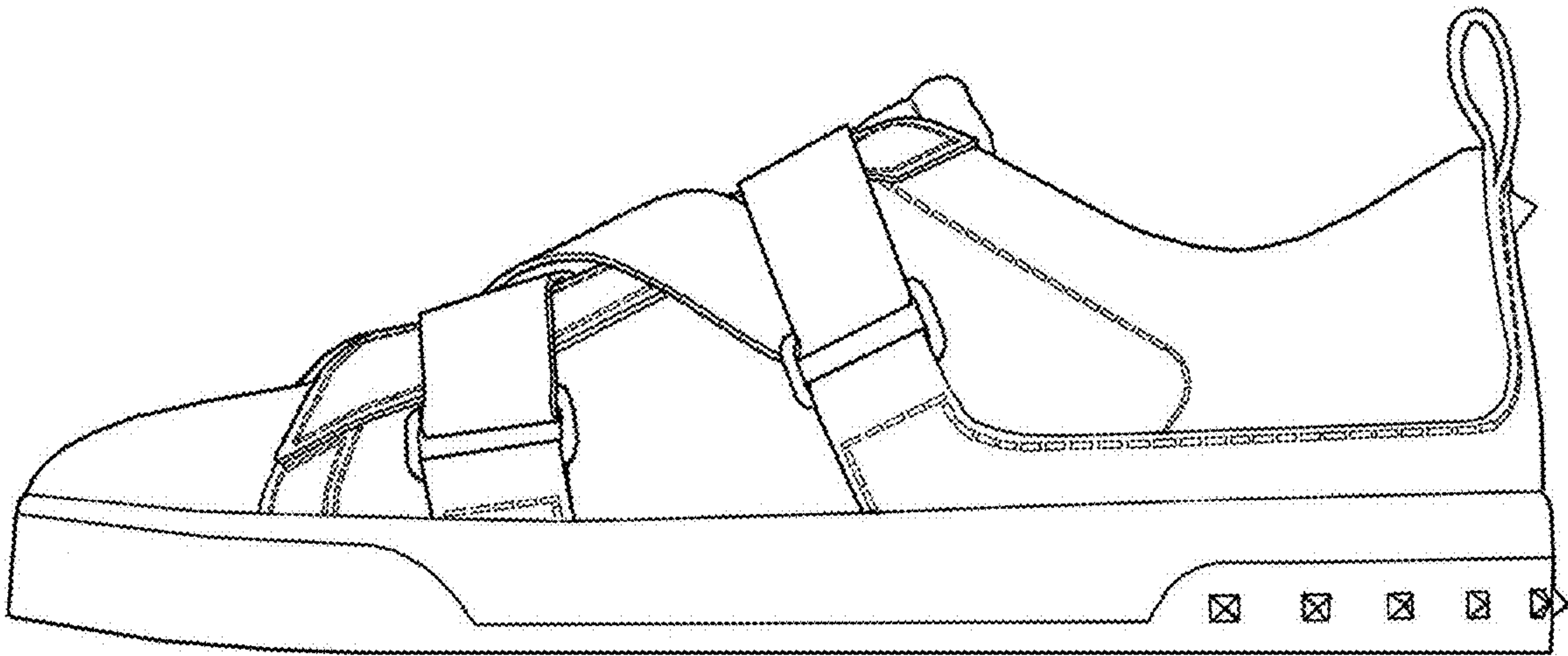


FIG. 5

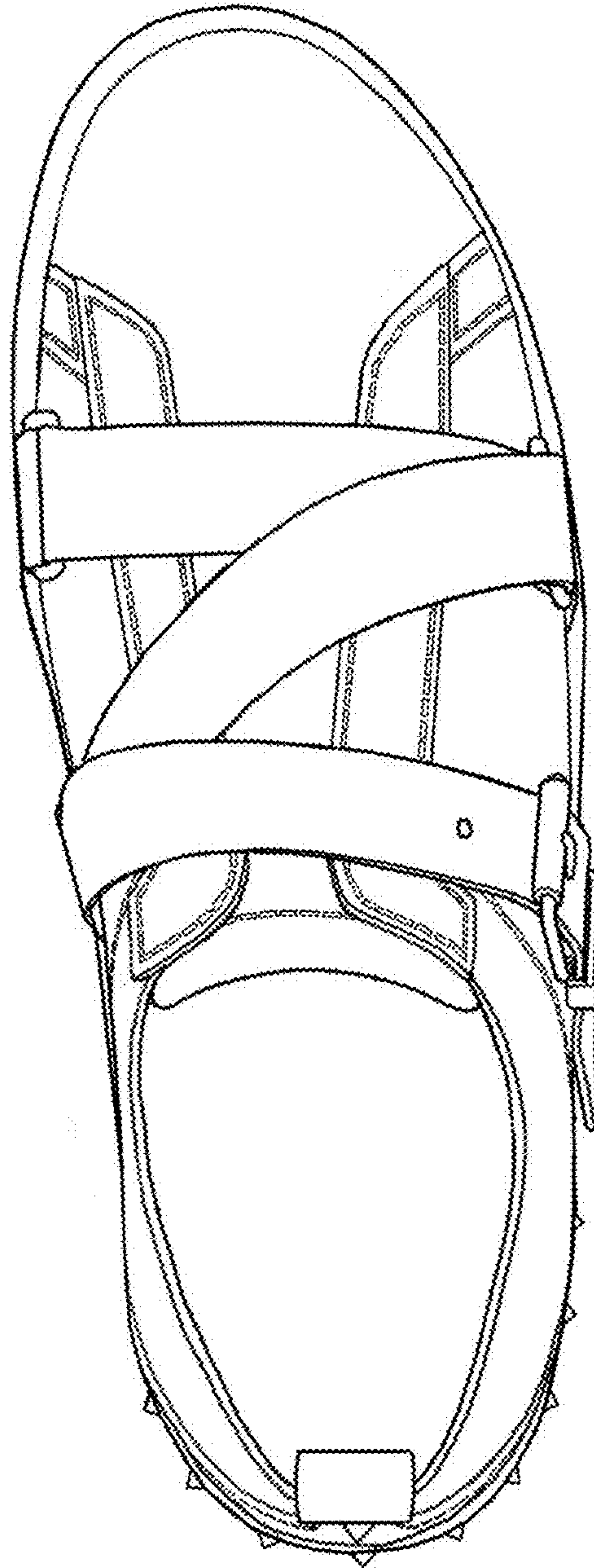


FIG. 6

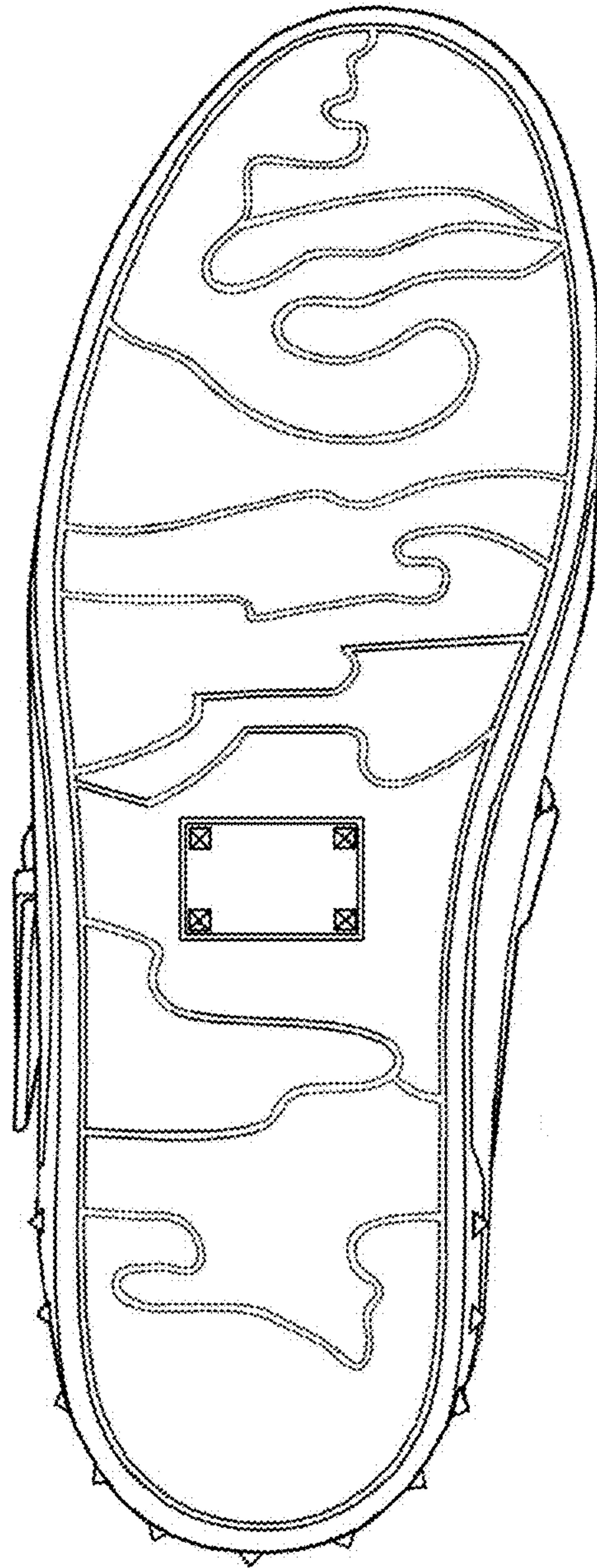


FIG. 7