



US00D858940S

(12) **United States Design Patent**
Rodriguez

(10) **Patent No.:** **US D858,940 S**

(45) **Date of Patent:** **** Sep. 10, 2019**

(54) **ATHLETIC SUPPORTER**

(71) Applicant: **Javier Rodriguez**, Dallas, TX (US)

(72) Inventor: **Javier Rodriguez**, Dallas, TX (US)

(**) Term: **15 Years**

(21) Appl. No.: **29/654,110**

(22) Filed: **Jun. 21, 2018**

(51) **LOC (12) Cl.** **02-01**

(52) **U.S. Cl.**

USPC **D2/711; D2/712**

(58) **Field of Classification Search**

USPC **D2/711-713, 738; 2/78.6, 223**

CPC **A41B 9/001; A41B 9/02; A41B 9/007**

See application file for complete search history.

(56) **References Cited**

U.S. PATENT DOCUMENTS

D233,633	S *	11/1974	Burkard	602/67
5,237,706	A *	8/1993	Nalbandian	A41B 9/023
					2/403
5,243,974	A	9/1993	Allen		
5,920,914	A	7/1999	Dempsey		
D419,280	S *	1/2000	Hines	D2/711
6,048,327	A	4/2000	Kieffer		
6,308,340	B1	10/2001	Cook		
D548,927	S *	8/2007	Perryman	D2/712

D579,628	S	11/2008	Wiens		
D838,083	S *	1/2019	Lenahan	D2/711
2006/0101558	A1	5/2006	Coleman		
2011/0016604	A1 *	1/2011	Lim	A41B 9/007
					2/78.2
2013/0338742	A1	12/2013	Gallen		

FOREIGN PATENT DOCUMENTS

WO WO2006047761 5/2006

* cited by examiner

Primary Examiner — Catherine R Oliver-Garcia

Assistant Examiner — J. Thorn, Sr.

(57) **CLAIM**

The ornamental design for a athletic supporter, as shown and described.

DESCRIPTION

FIG. 1 is a front view of a athletic supporter showing my new design;

FIG. 2 is a rear view of the athletic supporter;

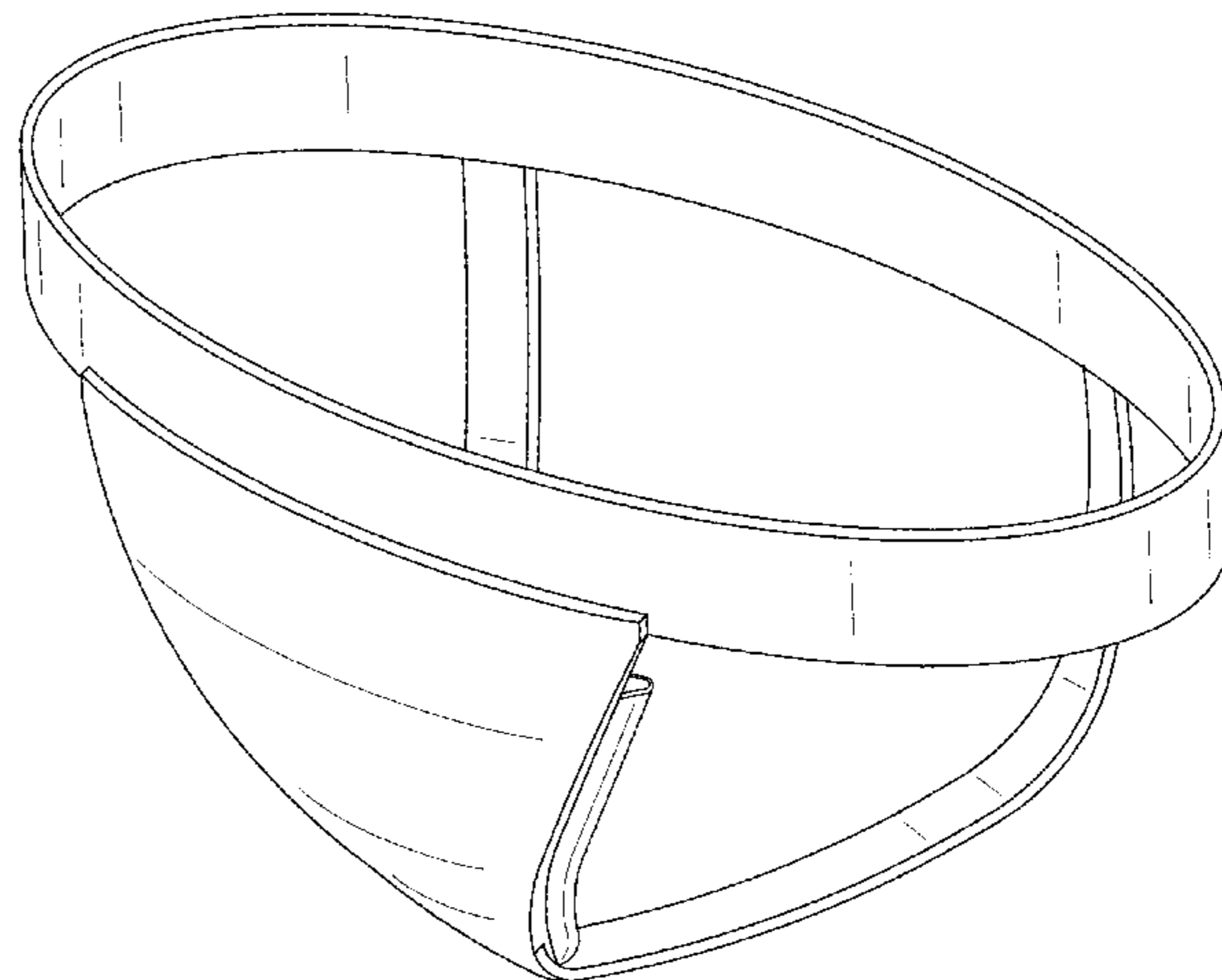
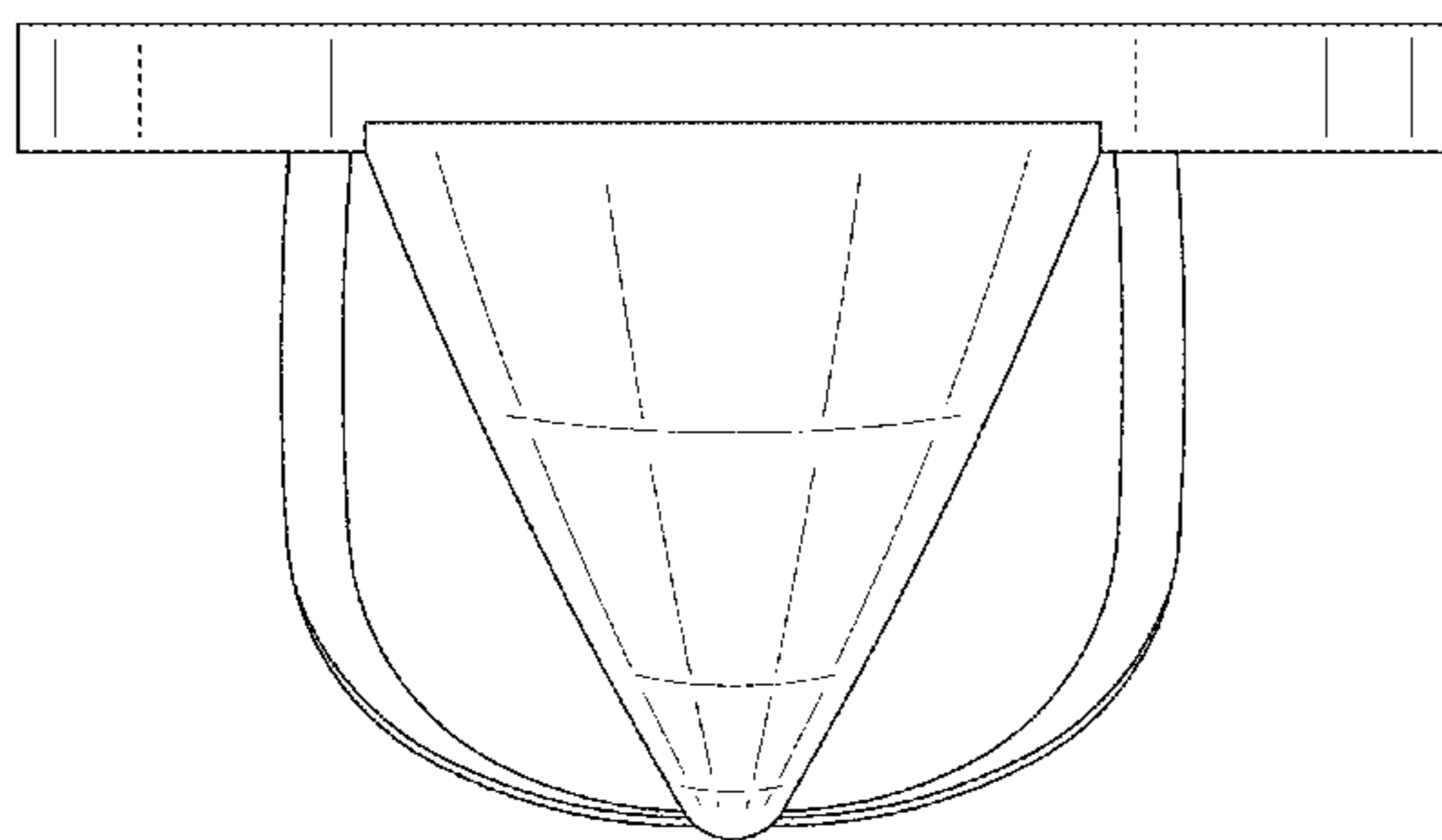
FIG. 3 is a left side view of the athletic supporter, a right side view being a mirror image thereof;

FIG. 4 is a top view of the athletic supporter;

FIG. 5 is a bottom view of the athletic supporter; and,

FIG. 6 is a top front side perspective view of the athletic supporter.

1 Claim, 5 Drawing Sheets



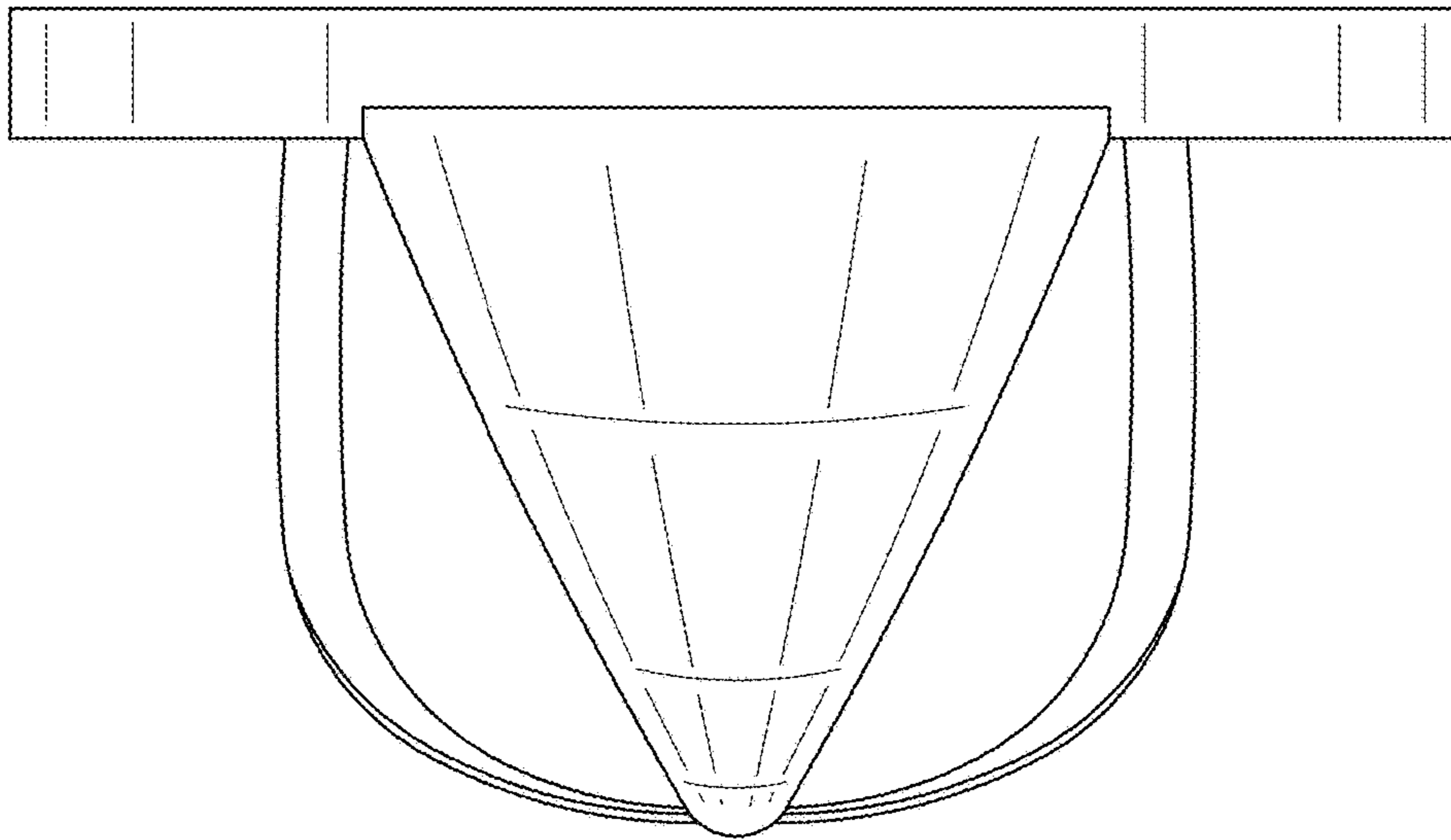


FIG. 1

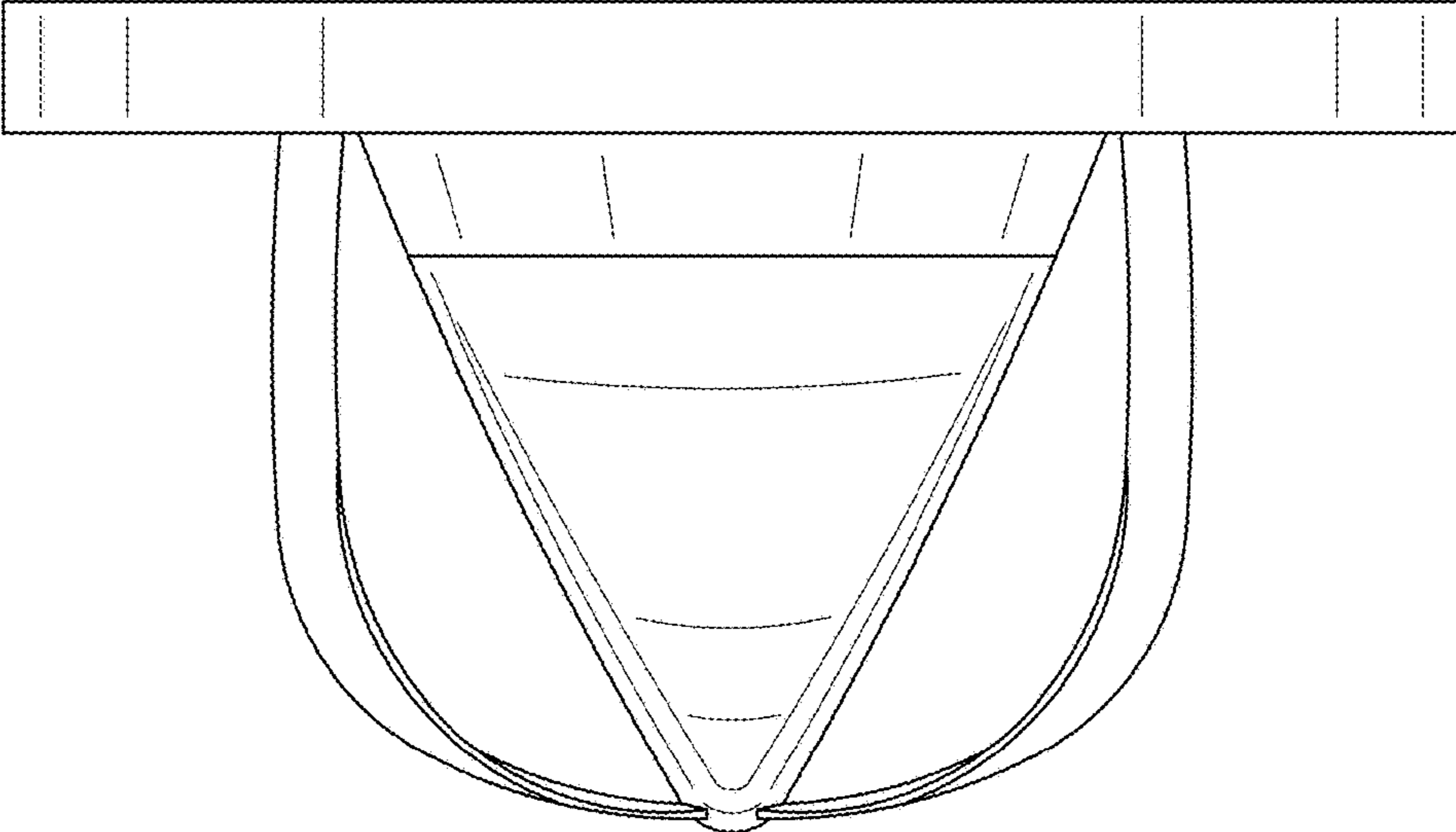


FIG. 2

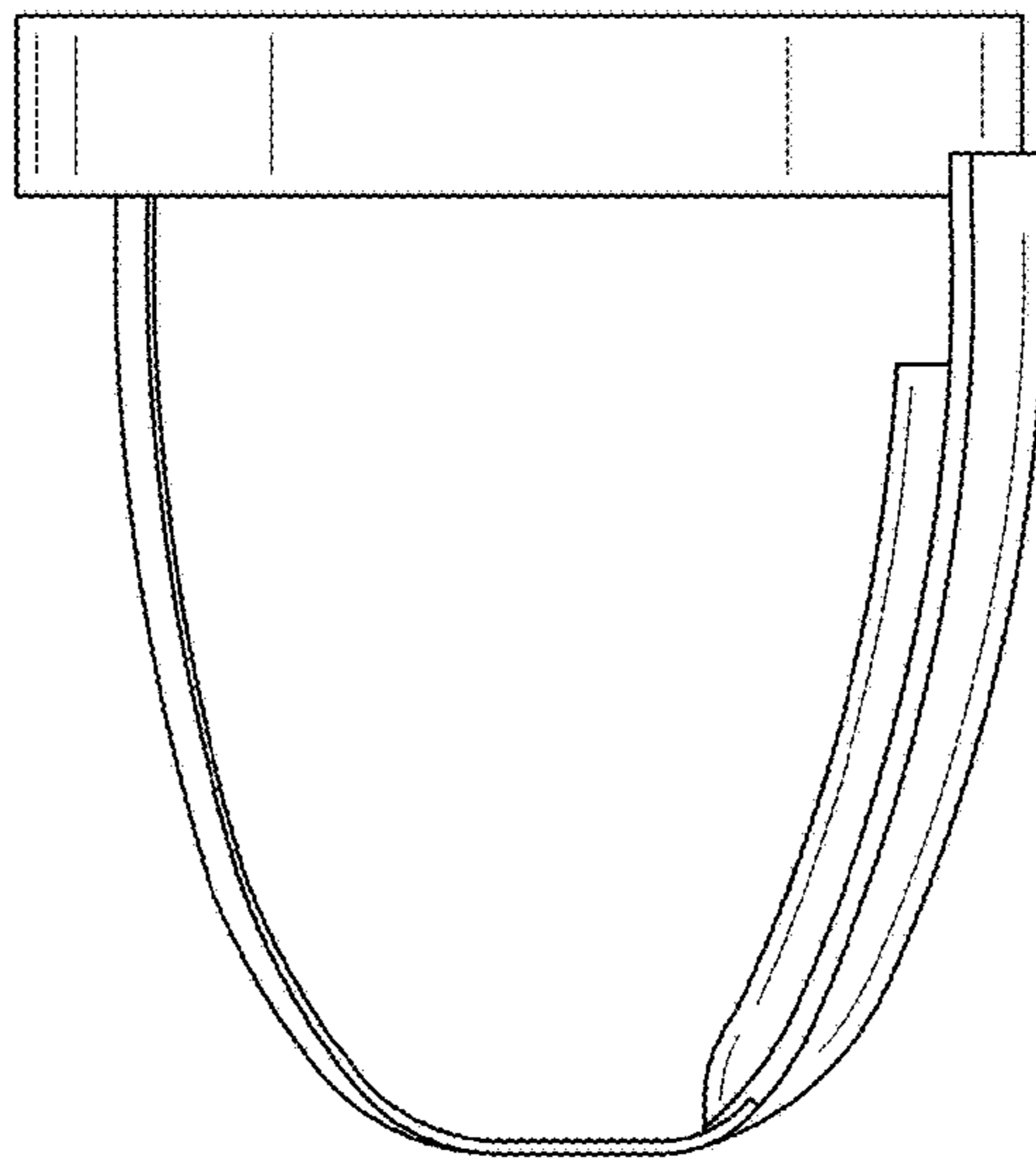


FIG. 3

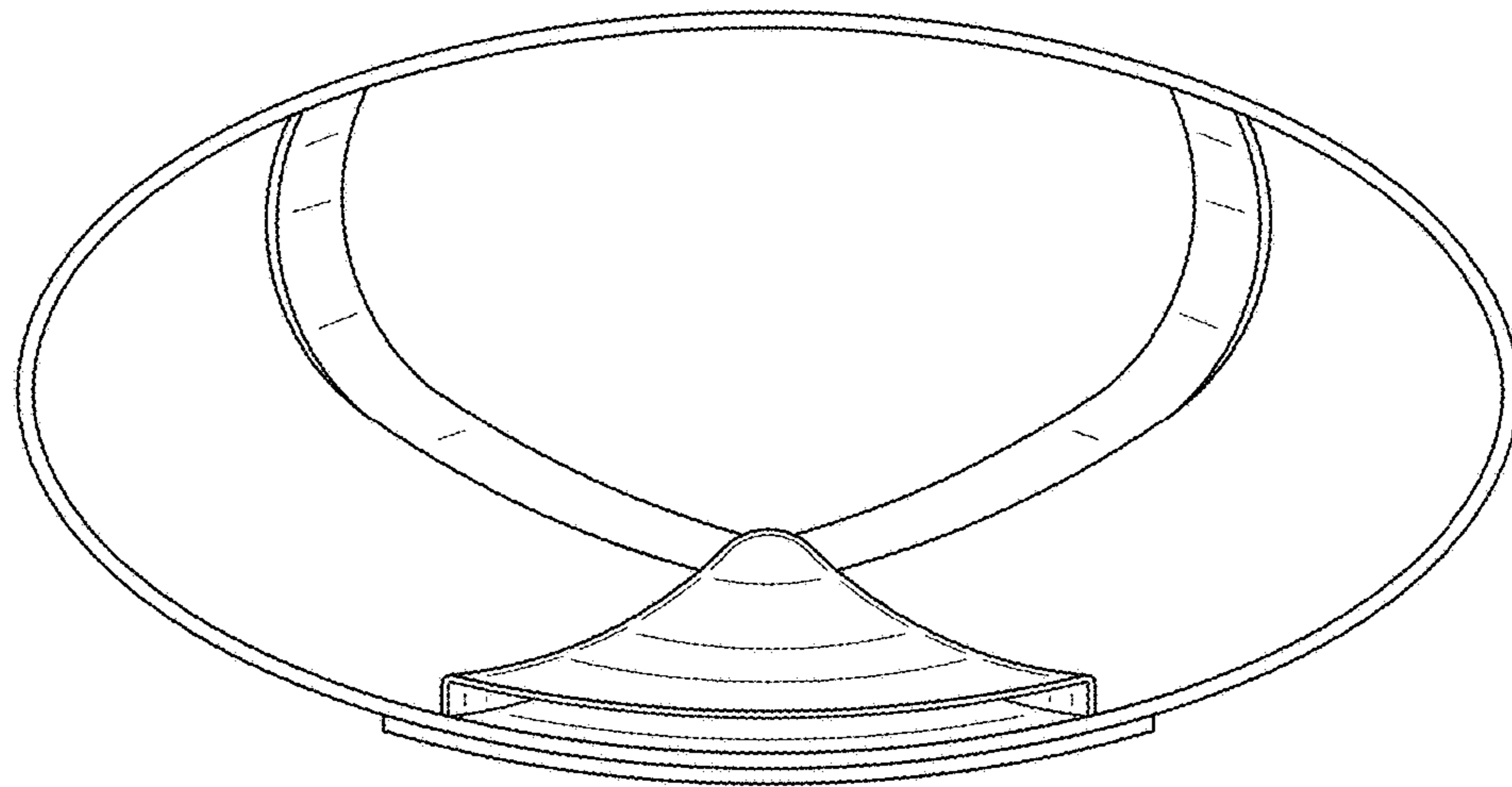


FIG. 4

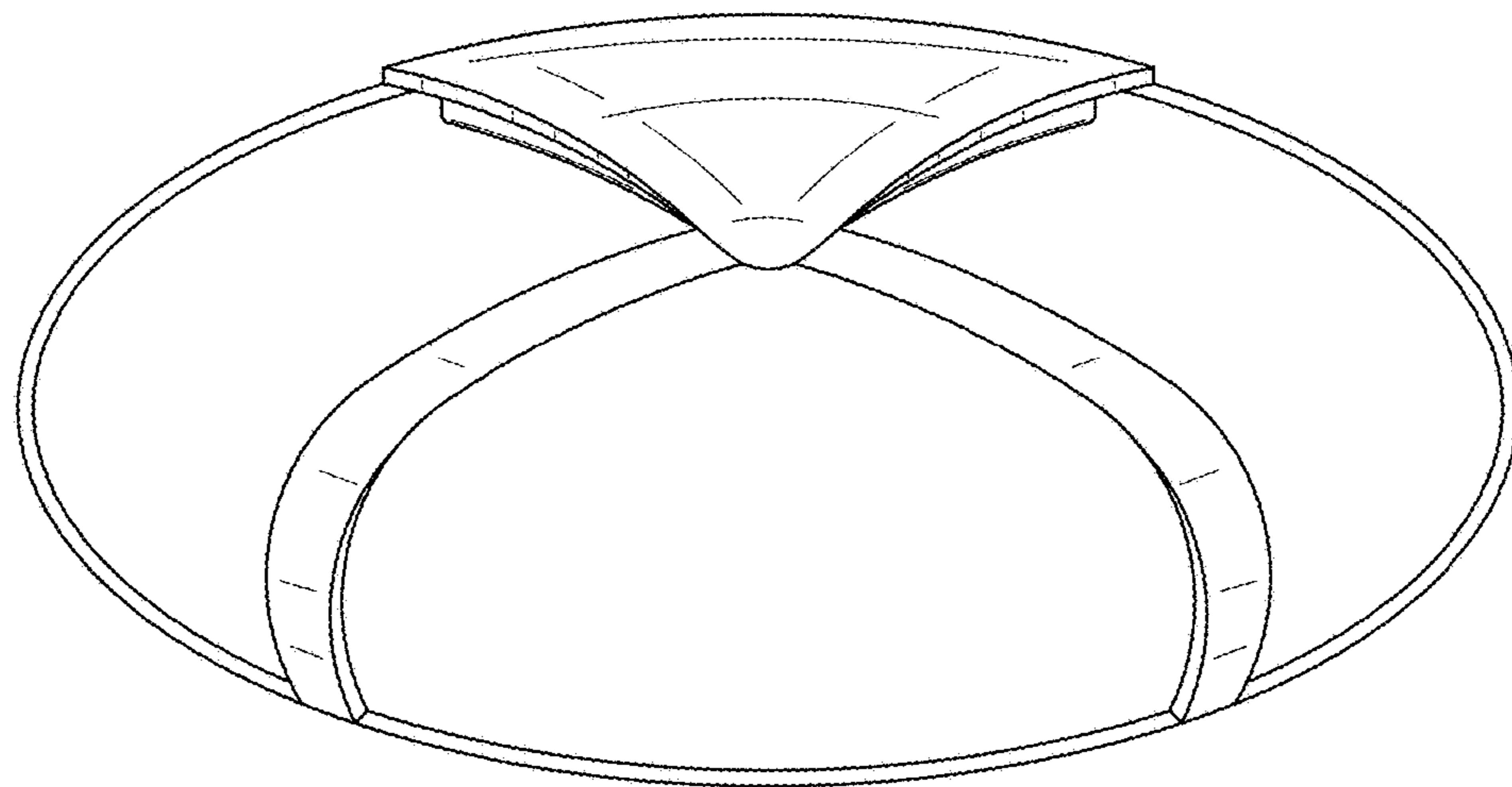


FIG. 5

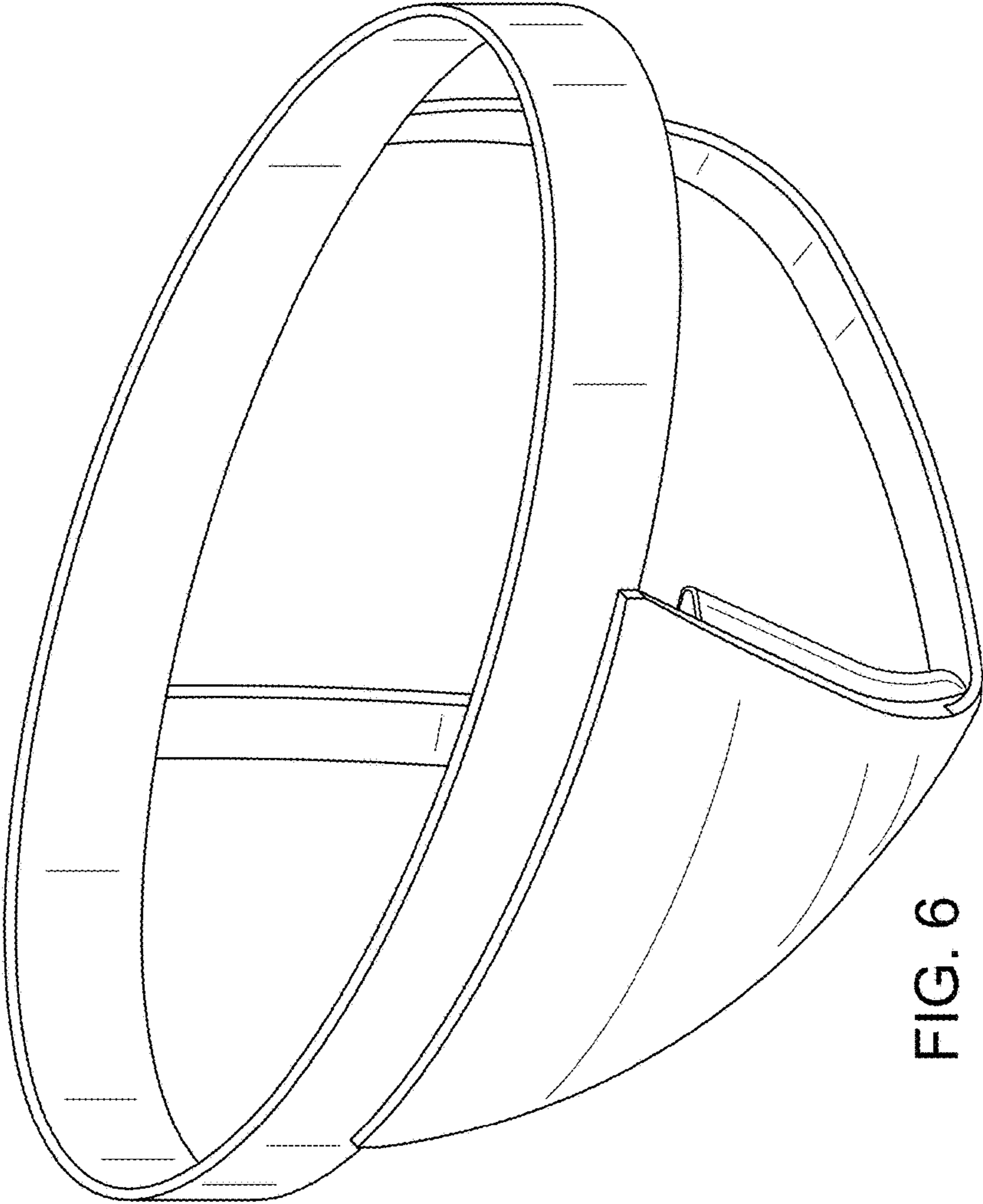


FIG. 6