



US00D858937S

(12) **United States Design Patent**  
**Sweeting**

(10) **Patent No.:** **US D858,937 S**

(45) **Date of Patent:** **\*\* Sep. 10, 2019**

(54) **SET OF NUMBERED WRIST SWEATBANDS**

(71) Applicant: **Craymond Sweeting**, Miami, FL (US)

(72) Inventor: **Craymond Sweeting**, Miami, FL (US)

(\*\*) Term: **15 Years**

(21) Appl. No.: **29/650,926**

(22) Filed: **Jun. 11, 2018**

(51) **LOC (12) Cl.** ..... **02-06**

(52) **U.S. Cl.**  
USPC ..... **D2/610**

(58) **Field of Classification Search**  
USPC ..... D2/610, 614  
CPC . A41D 19/0062; A41D 13/0051; A41D 13/08  
See application file for complete search history.

(56) **References Cited**

**U.S. PATENT DOCUMENTS**

D278,384 S *	4/1985	Wilson .....	D2/614
4,843,653 A *	7/1989	Coble .....	A41D 20/00
			2/170
D355,132 S *	2/1995	Williams .....	D10/31
D409,357 S *	5/1999	Hirata .....	D2/610
D453,985 S *	3/2002	Casey .....	D2/610
D569,577 S *	5/2008	Barker .....	D2/614
D595,927 S *	7/2009	Rubin .....	D2/610
D600,428 S *	9/2009	Rubin .....	D2/610
D670,867 S *	11/2012	Niemeyer .....	D29/120.1
D738,072 S *	9/2015	Cho .....	D2/894
D791,430 S *	7/2017	Sheedy .....	D2/610

**OTHER PUBLICATIONS**

0-19 Number Sweatband Nov. 9, 2017, posted at ebay.com, posting date by Nov. 9, 2017, [online], [site visited Apr. 23, 2019]. Available from Internet, URL: <https://www.ebay.com/itm/0-19-Number-Sweatband-Wristband-Football-Baseball-Basketball-Purple-Money-/322570540345> (Year: 2017).\*

Ajin Sweatband, posted at amazon.com, posting date not given, [online], [site visited Apr. 23, 2019]. Available from Internet, URL: <https://www.amazon.com/Ajin-Sweatband-IMB-003/dp/B0784Z9Q3W> (Year: 2019).\*

Embroidered Sweatband Navy Blue with White Number, posted at amazon.com, posting date by Mar. 28, 2016, [online], [site visited Apr. 23, 2019]. Available from Internet, URL: <https://www.amazon.com/Embroidered-Stitched-Sweatband-Wristband-Number/dp/B00U0VDC3G> (Year: 2016).\*

University of Georgia Bulldogs Wrist Sweatband, posted at amazon.com, posting date not given, [online], [site visited Apr. 23, 2019]. Available from Internet, URL: <https://www.amazon.com/University-Georgia-Bulldogs-hats-Sweatband/dp/B00FIBD3FU/> (Year: 2019).\*

Wrist Sweatband With Numbers, posted at alibaba.com, posting date not given, [online], [site visited Apr. 23, 2019]. Available from Internet, URL: [https://www.alibaba.com/product-detail/wrist-sweatband-with-Numbers\\_1438956593.html](https://www.alibaba.com/product-detail/wrist-sweatband-with-Numbers_1438956593.html) (Year: 2019).\*

\* cited by examiner

*Primary Examiner* — George D. Kirschbaum

*Assistant Examiner* — Maria J Edwards

(74) *Attorney, Agent, or Firm* — Mark Terry

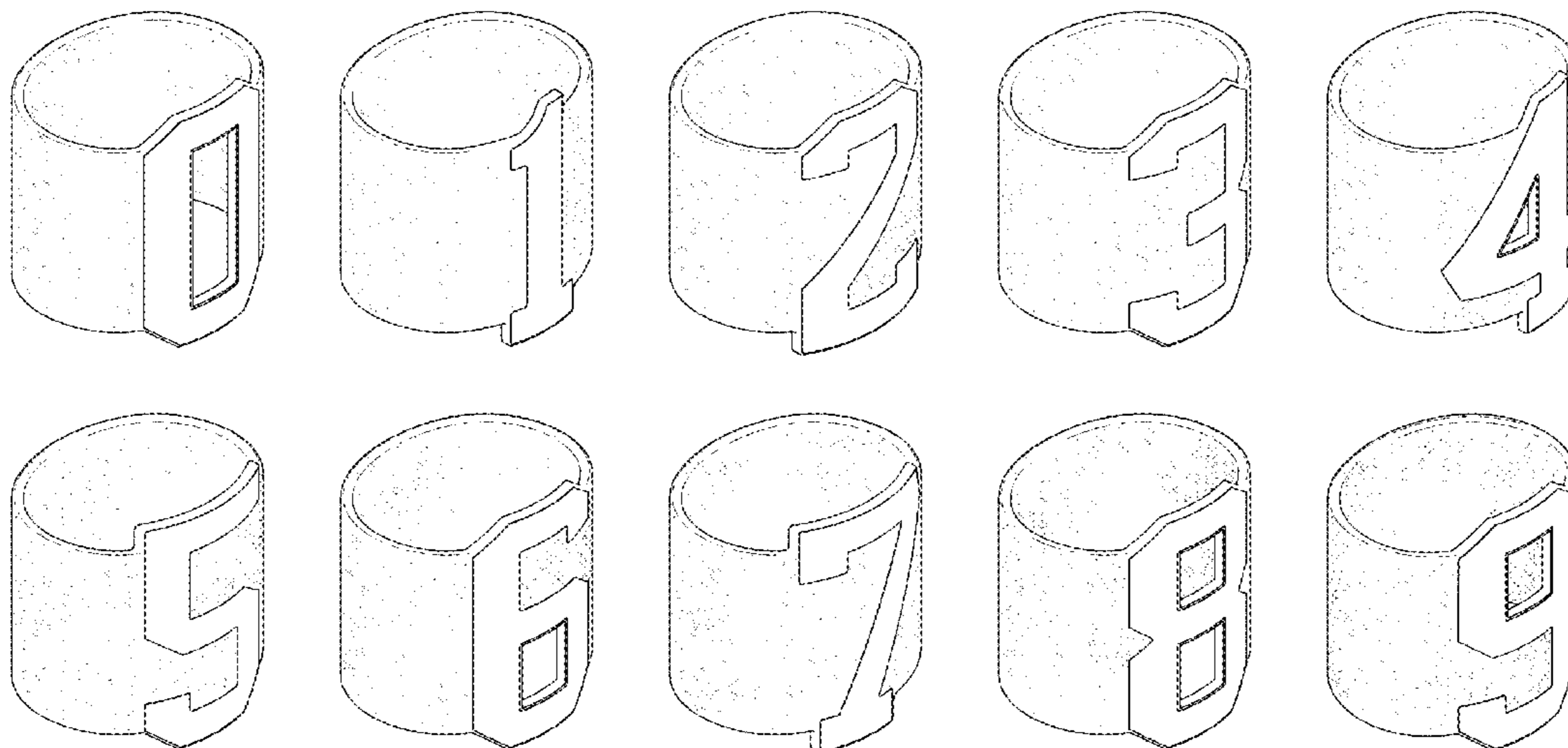
(57) **CLAIM**

The ornamental design for a set of numbered wrist sweatbands, as shown and described.

**DESCRIPTION**

FIG. 1 is a top perspective view of a set of numbered wrist sweatbands, showing the new design;  
FIG. 2 is a bottom perspective view thereof;  
FIG. 3 is a front view thereof;  
FIG. 4 is a rear view thereof;  
FIG. 5 is a left view thereof;  
FIG. 6 is a right view thereof;  
FIG. 7 is a top view thereof; and,  
FIG. 8 is a bottom view thereof.

**1 Claim, 8 Drawing Sheets**



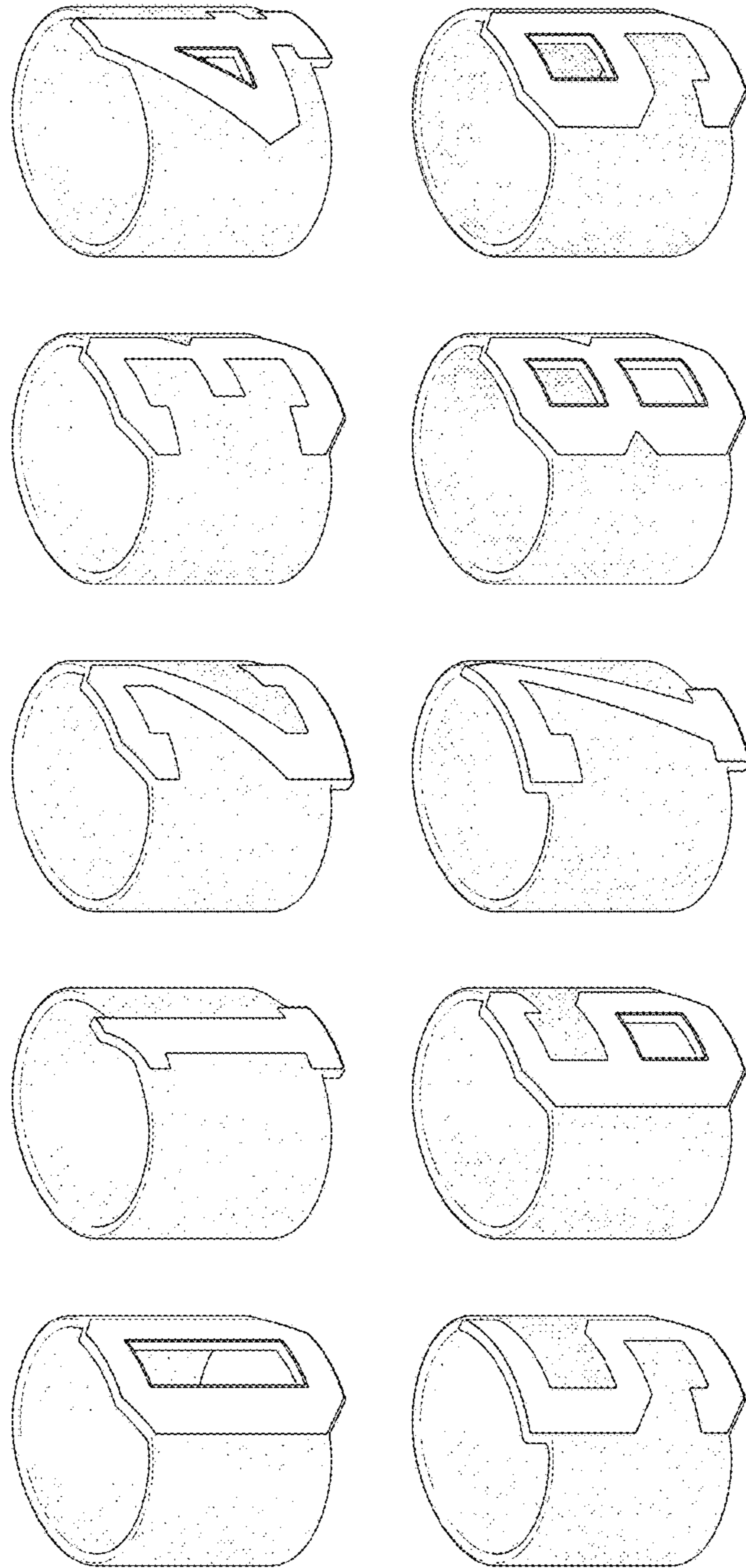


Fig. 1

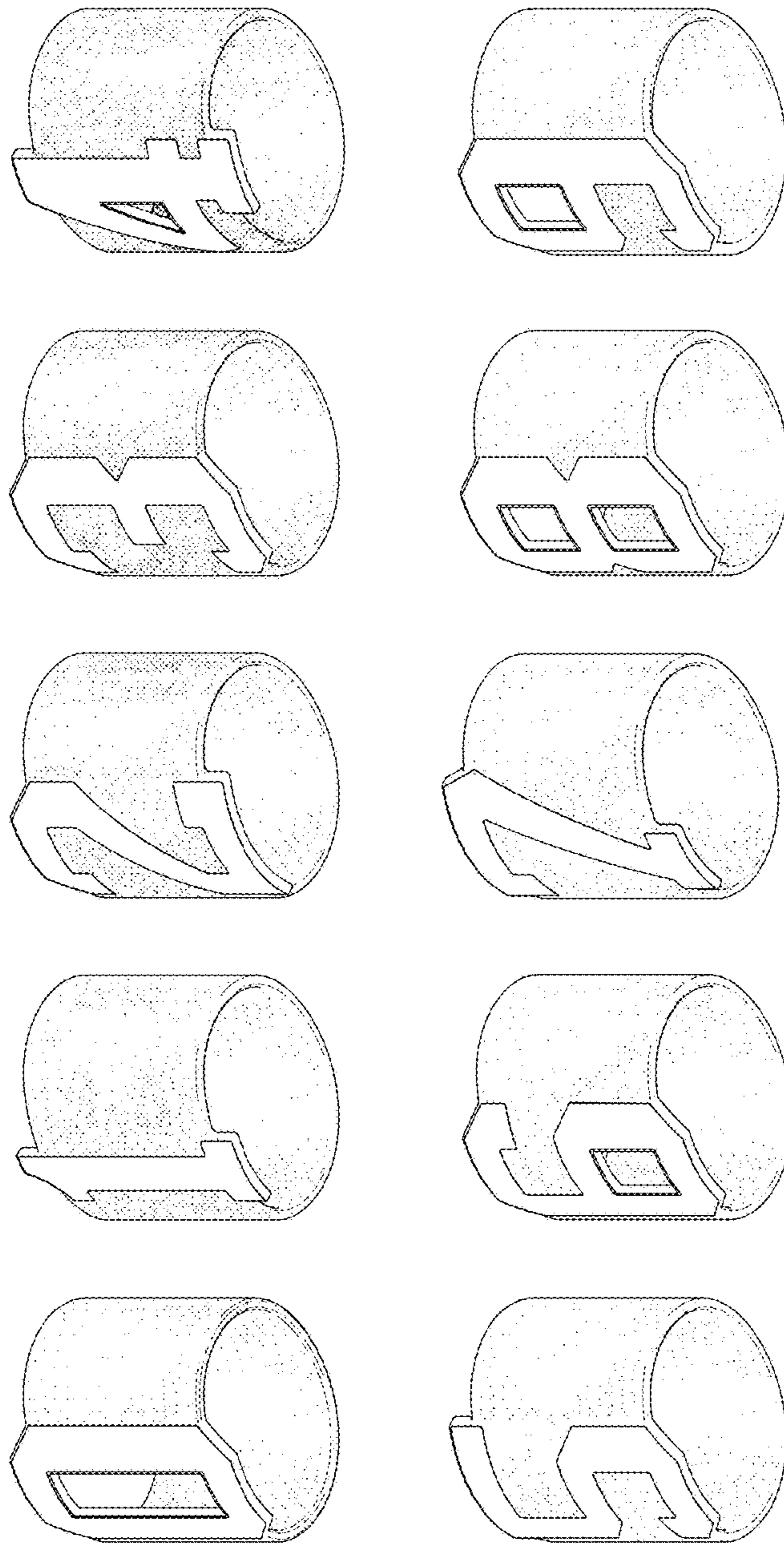


Fig. 2

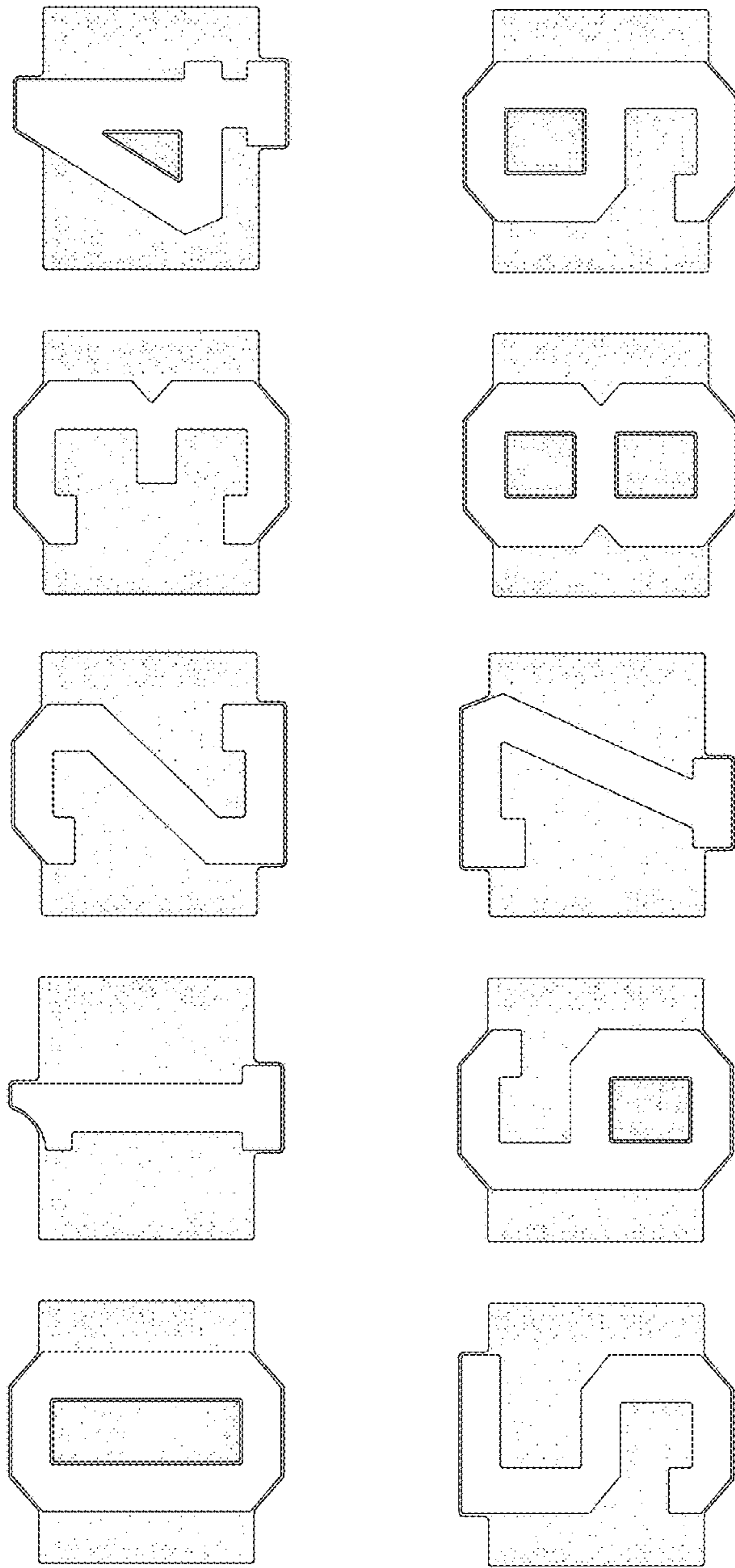


Fig. 3

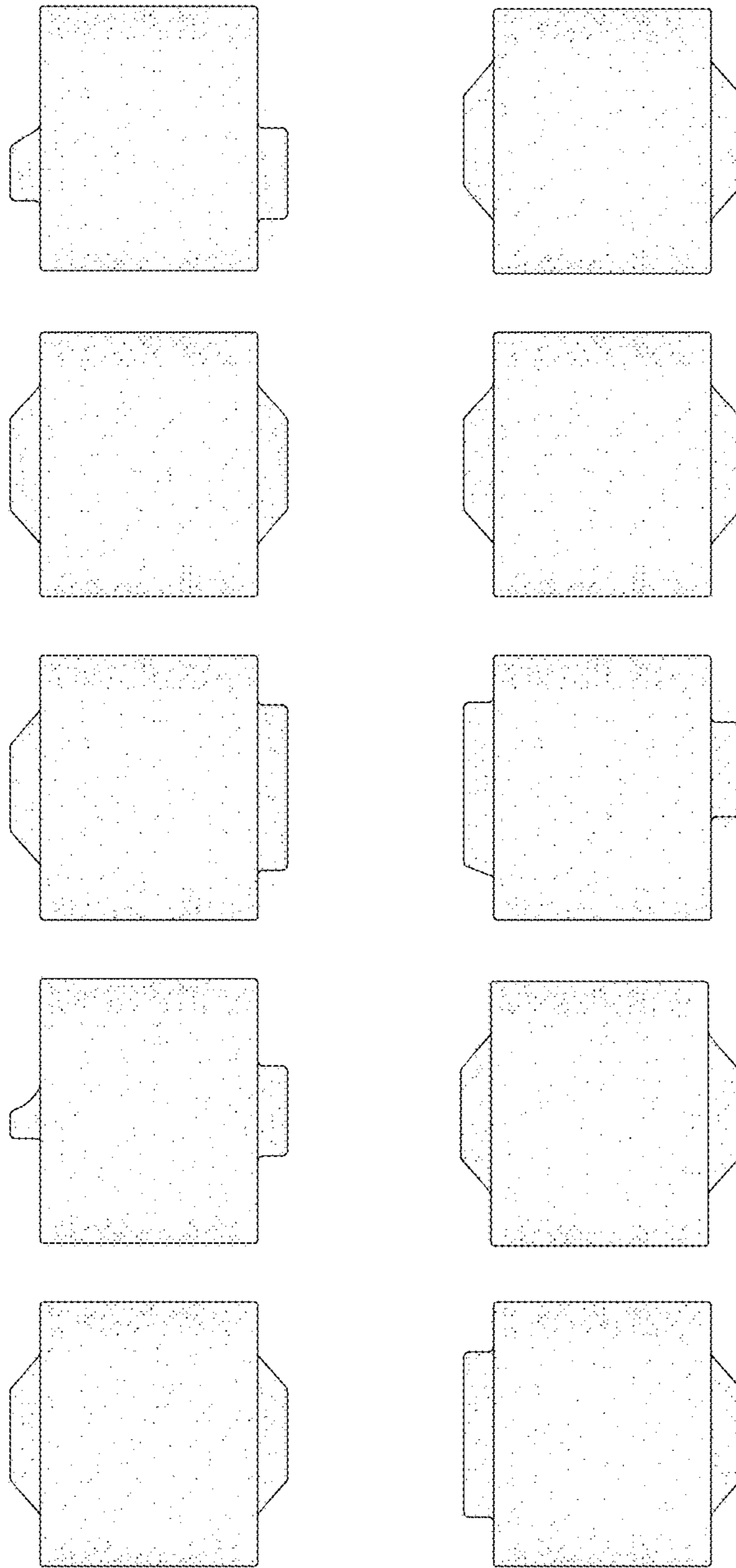


Fig. 4

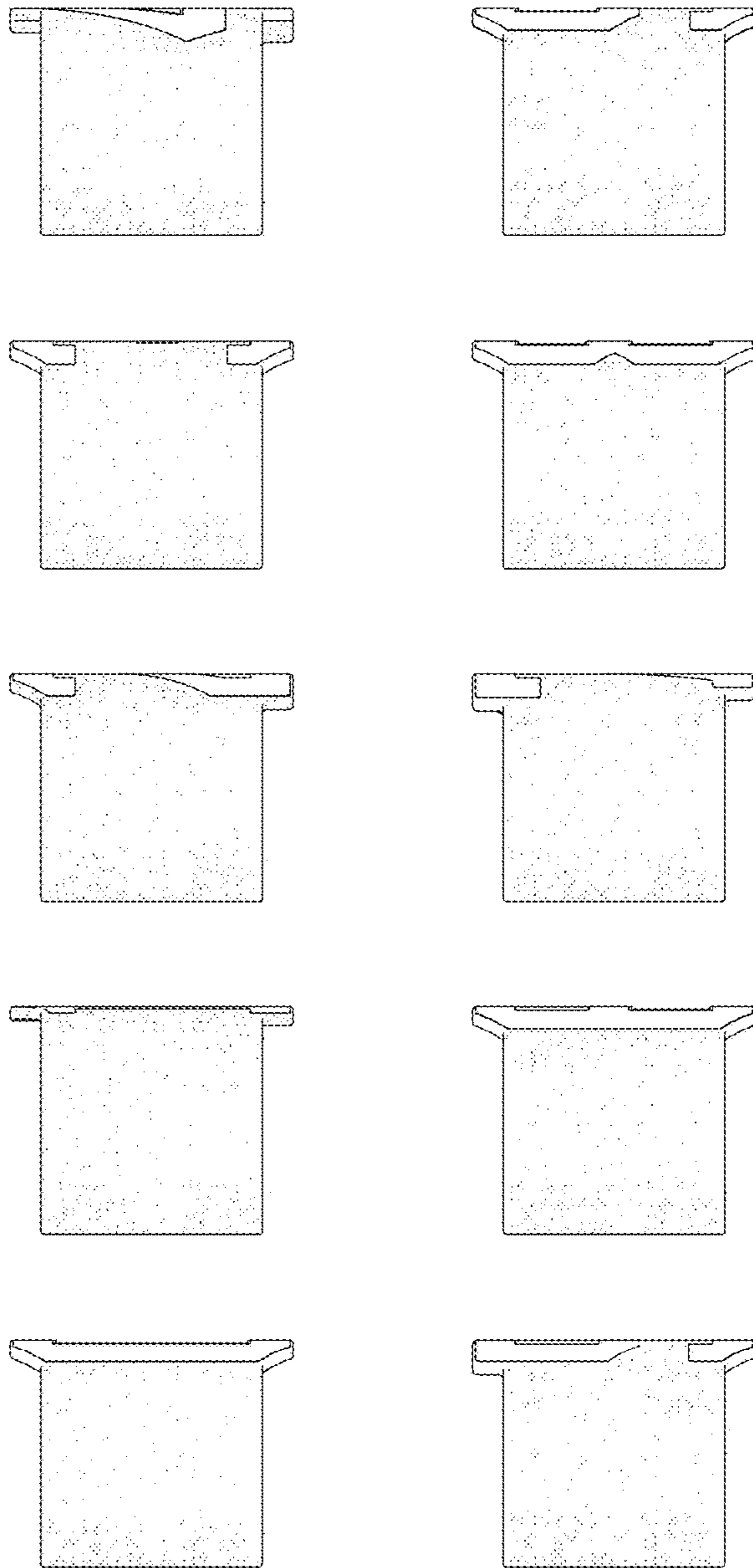


Fig. 5

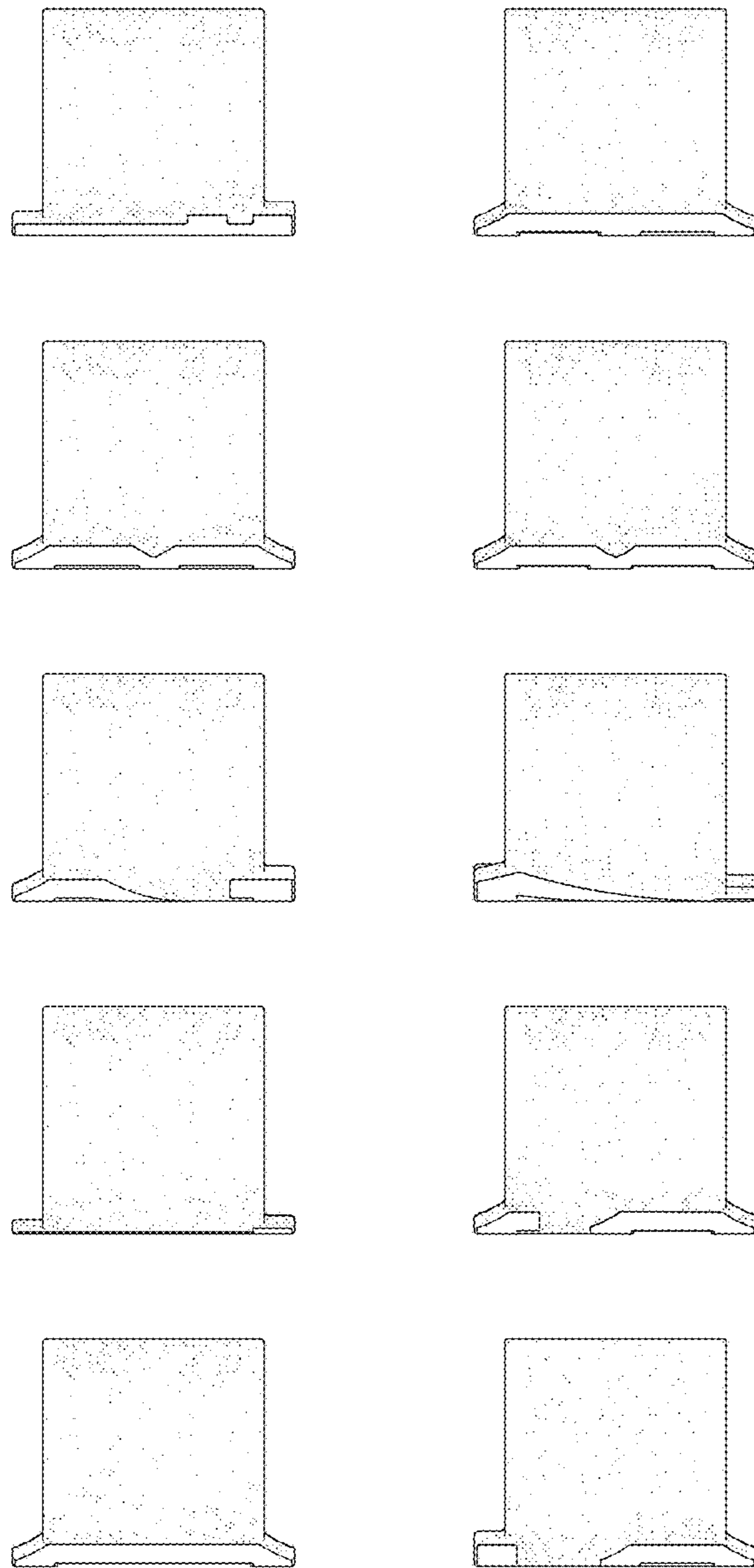


Fig. 6

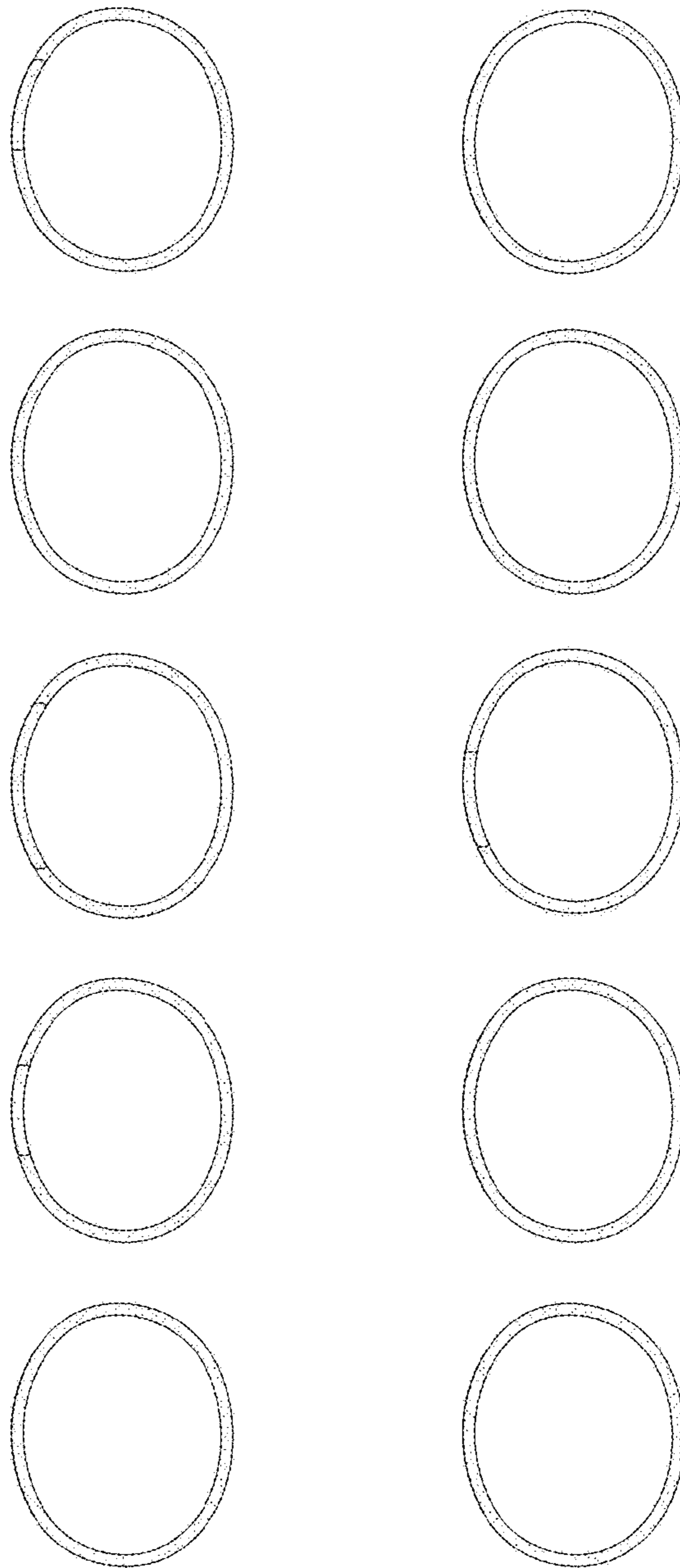


Fig. 7



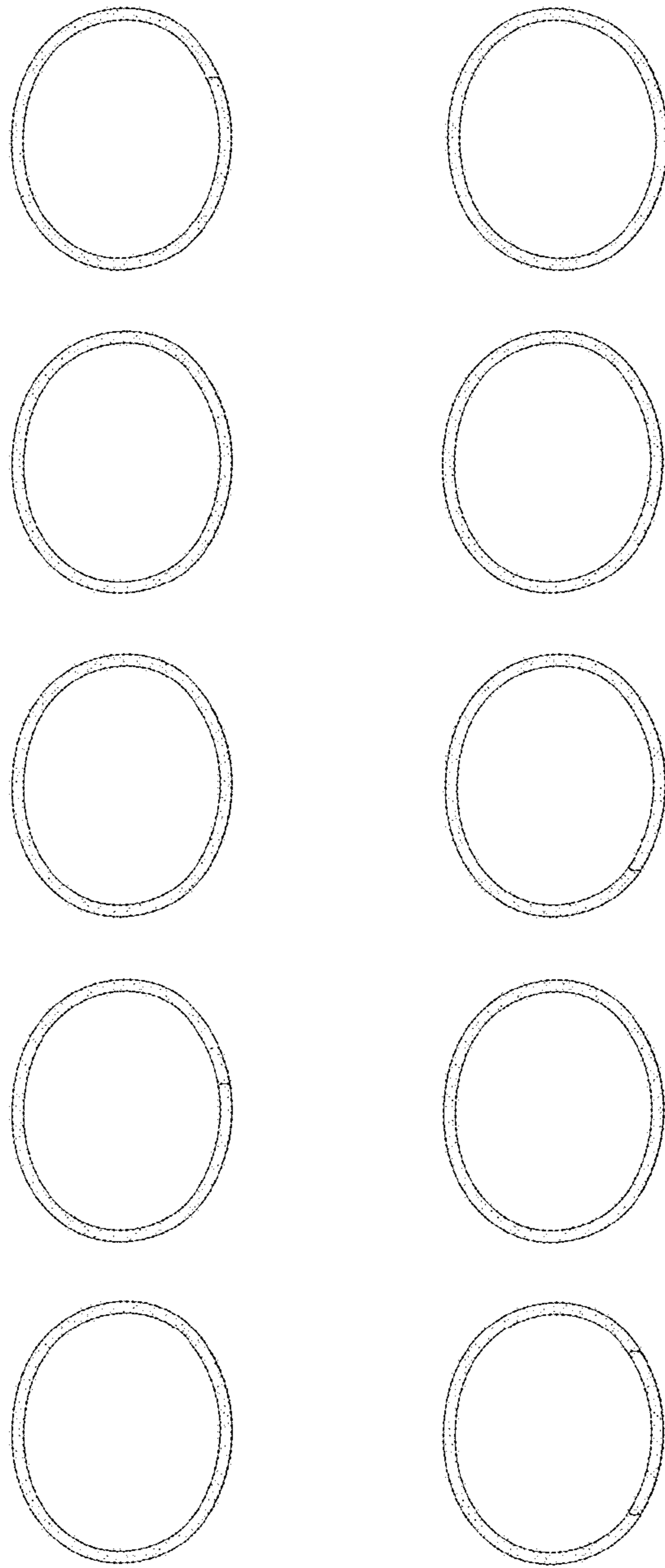


Fig. 8