



US00D858931S

(12) **United States Design Patent**  
**van Eyk et al.**

(10) **Patent No.:** **US D858,931 S**

(45) **Date of Patent:** **\*\* Sep. 10, 2019**

(54) **RIB PET TREAT**

(71) Applicant: **Spectrum Brands, Inc.**, Middleton, WI (US)

(72) Inventors: **Gregory van Eyk**, Christiansburg, VA (US); **Casey Sims**, London (GB); **Todd Palmer**, O Fallon, MO (US)

(73) Assignee: **Spectrum Brands, Inc.**, Middleton, WI (US)

(\*\*) Term: **15 Years**

(21) Appl. No.: **29/672,111**

(22) Filed: **Dec. 3, 2018**

(51) **LOC (12) Cl.** ..... **01-01**

(52) **U.S. Cl.**  
USPC ..... **D1/106; D1/121**

(58) **Field of Classification Search**  
USPC ..... D1/100-130, 199; 426/5, 76, 87, 92, 94, 426/95, 101, 103, 104, 108, 134,  
(Continued)

(56) **References Cited**

**U.S. PATENT DOCUMENTS**

2,246,770 A 3/1939 Wessel  
D225,919 S \* 1/1973 Corn ..... D1/101  
(Continued)

**FOREIGN PATENT DOCUMENTS**

EP 170770 2/1986  
WO WO 2007/063338 6/2007

**OTHER PUBLICATIONS**

“EETOYS Nylon Chew Toy Durable Dog Chew Bone for Aggressive Chewers.” Pet Supplies. Oct. 10, 2016. Web. May 21, 2019.

<<https://www.amazon.com/EETOYS-Teething-Chewing-Development-Spareribs/dp/B06XX6FNM7>>.\*

*Primary Examiner* — Katie Jane Stofko

(74) *Attorney, Agent, or Firm* — Merchant & Gould P.C.

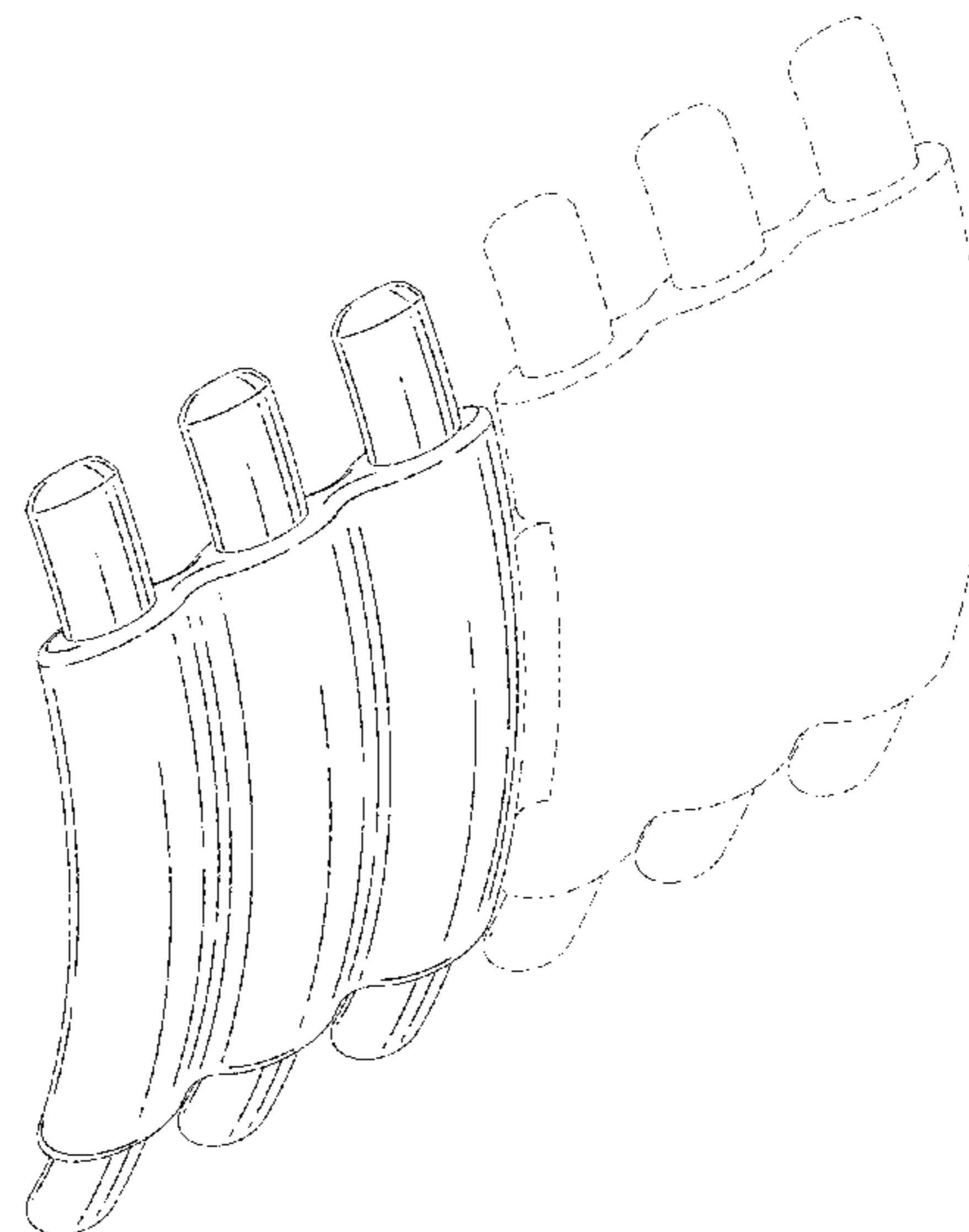
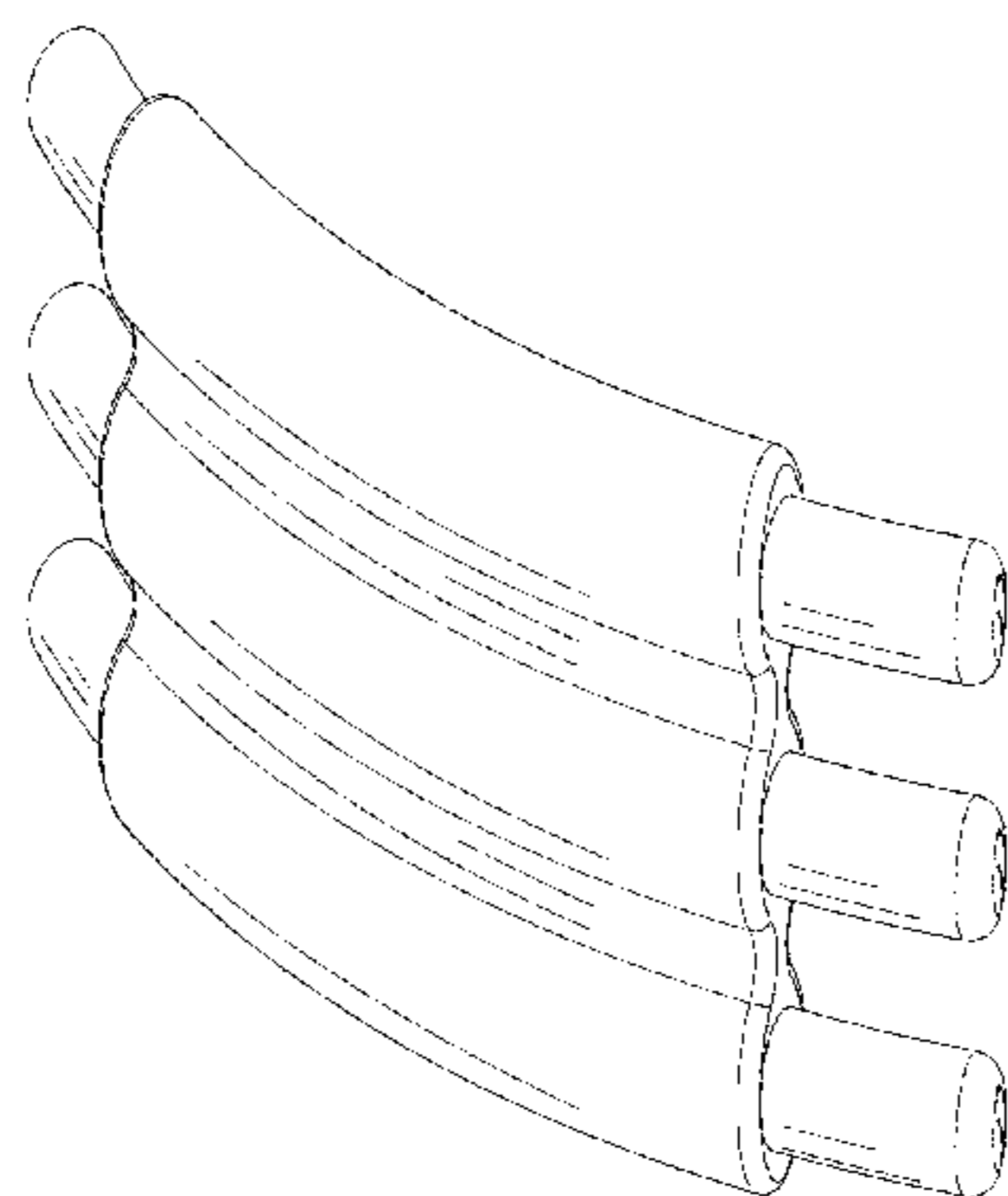
(57) **CLAIM**

The ornamental design for a rib pet treat, as shown and described.

**DESCRIPTION**

FIG. 1 is a front, top and right side perspective view of a first embodiment of a rib pet treat according to the new design; FIG. 2 is a front, bottom and right side perspective view of the embodiment of FIG. 1; FIG. 3 is a front view of the embodiment of FIG. 1; FIG. 4 is a back view of the embodiment of FIG. 1; FIG. 5 is a left side elevation view of the embodiment of FIG. 1; FIG. 6 is a right side elevation view of the embodiment of FIG. 1; FIG. 7 is a top plan view of the embodiment of FIG. 1; FIG. 8 is a bottom plan view of the embodiment of FIG. 1; FIG. 9 is a front, bottom and left side perspective view of a second embodiment of a rib pet treat according to the new design; FIG. 10 is a back, top and left side perspective view of the embodiment of FIG. 9; FIG. 11 is a front view of the embodiment of FIG. 9; FIG. 12 is a back view of the embodiment of FIG. 9; FIG. 13 is a bottom plan view of the embodiment of FIG. 9; FIG. 14 is a top plan view of the embodiment of FIG. 9; FIG. 15 is a left side elevation view of the embodiment of FIG. 9; and, FIG. 16 is a right side elevation view of the embodiment of FIG. 9. The broken lines in FIGS. 9-12 and 14-16 illustrate portions of the rib pet treat that form no part of the claimed design.

**1 Claim, 12 Drawing Sheets**



(58) **Field of Classification Search**

USPC ..... 426/138-139, 143, 144, 279, 282, 283,  
 426/391, 514, 549, 559, 560, 660, 808;  
 D30/60; D11/1, 86; D21/386, 658  
 CPC ..... B26D 3/11; A47J 37/043; A47J 37/049;  
 A47J 43/18; A22C 17/006; A22C  
 13/0013; A23L 1/164; A23L 1/005; A23B  
 4/10; B65D 81/343

See application file for complete search history.

(56) **References Cited**

U.S. PATENT DOCUMENTS

D261,820 S \* 11/1981 Yamanaka ..... D1/101  
 D270,299 S \* 8/1983 Arend ..... D1/199  
 D277,045 S 1/1985 Arend  
 D283,460 S \* 4/1986 Thomassen ..... D1/121  
 D309,520 S \* 7/1990 Thomassen ..... D1/121  
 4,963,379 A 10/1990 Ferrero  
 D404,887 S 2/1999 Prins

D429,866 S 8/2000 Zhang et al.  
 D439,391 S 3/2001 Sheen et al.  
 6,280,311 B1 \* 8/2001 Kuck ..... A22C 17/006  
 452/135  
 D469,238 S 1/2003 Bedi et al.  
 D498,896 S 11/2004 Stoddart et al.  
 D503,506 S \* 4/2005 Tepper ..... D1/101  
 D527,164 S \* 8/2006 Speck ..... D1/122  
 D534,331 S \* 1/2007 Axelrod ..... D1/121  
 D575,477 S 8/2008 Eitler et al.  
 D625,896 S \* 10/2010 Flaksman ..... D1/101  
 D627,127 S 11/2010 Wilson et al.  
 D634,508 S 3/2011 Wilson et al.  
 D639,967 S \* 6/2011 Bredemeier ..... D24/195  
 D692,627 S \* 10/2013 Yerton ..... D1/121  
 D706,943 S \* 6/2014 Bredemeier ..... D24/195  
 D759,941 S 6/2016 Baker et al.  
 D765,828 S 9/2016 Kane  
 D809,240 S 2/2018 Astheimer et al.  
 D831,925 S 10/2018 Astheimer et al.  
 D833,707 S 11/2018 Colquhoun

\* cited by examiner

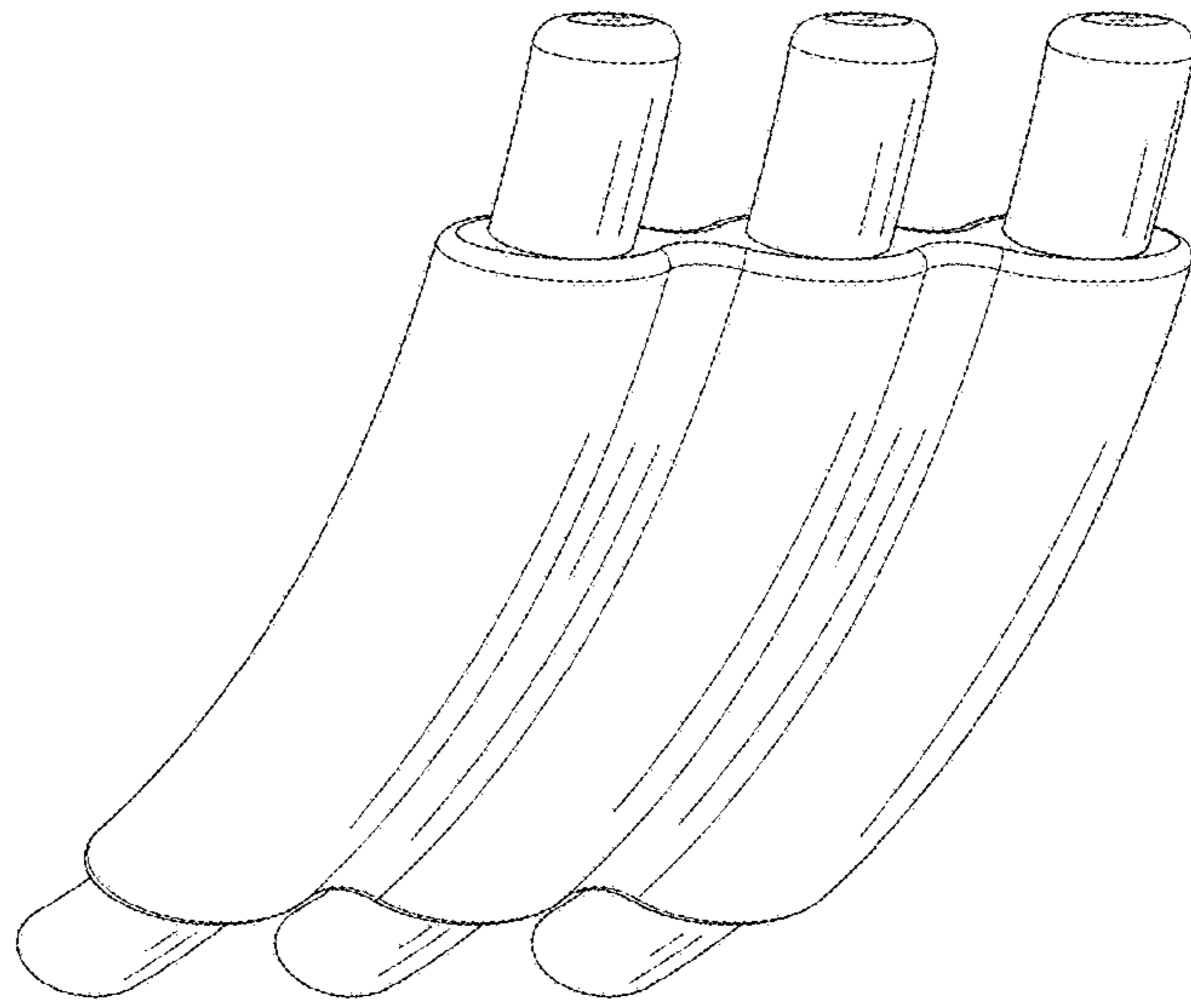


FIG. 1

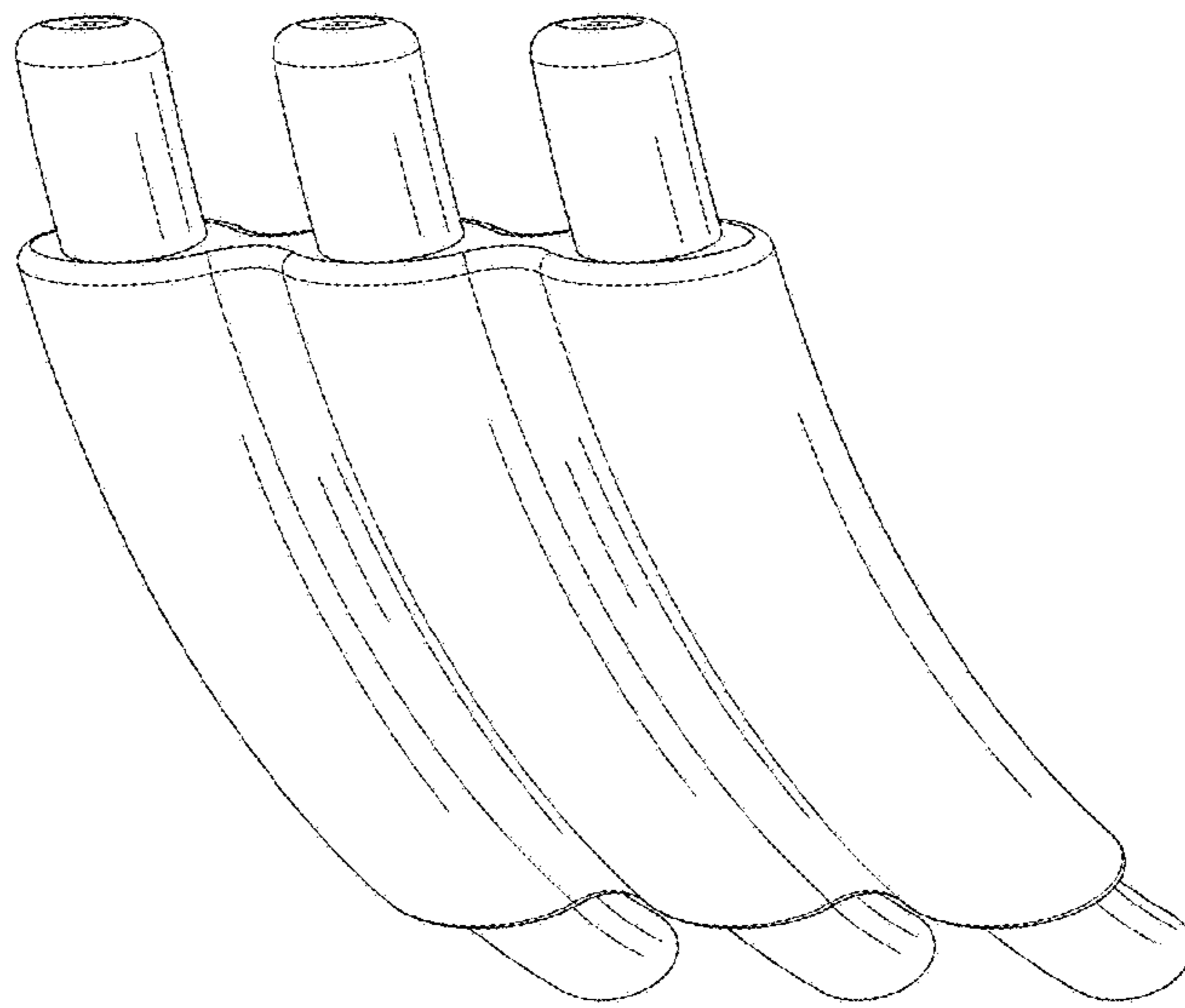


FIG. 2

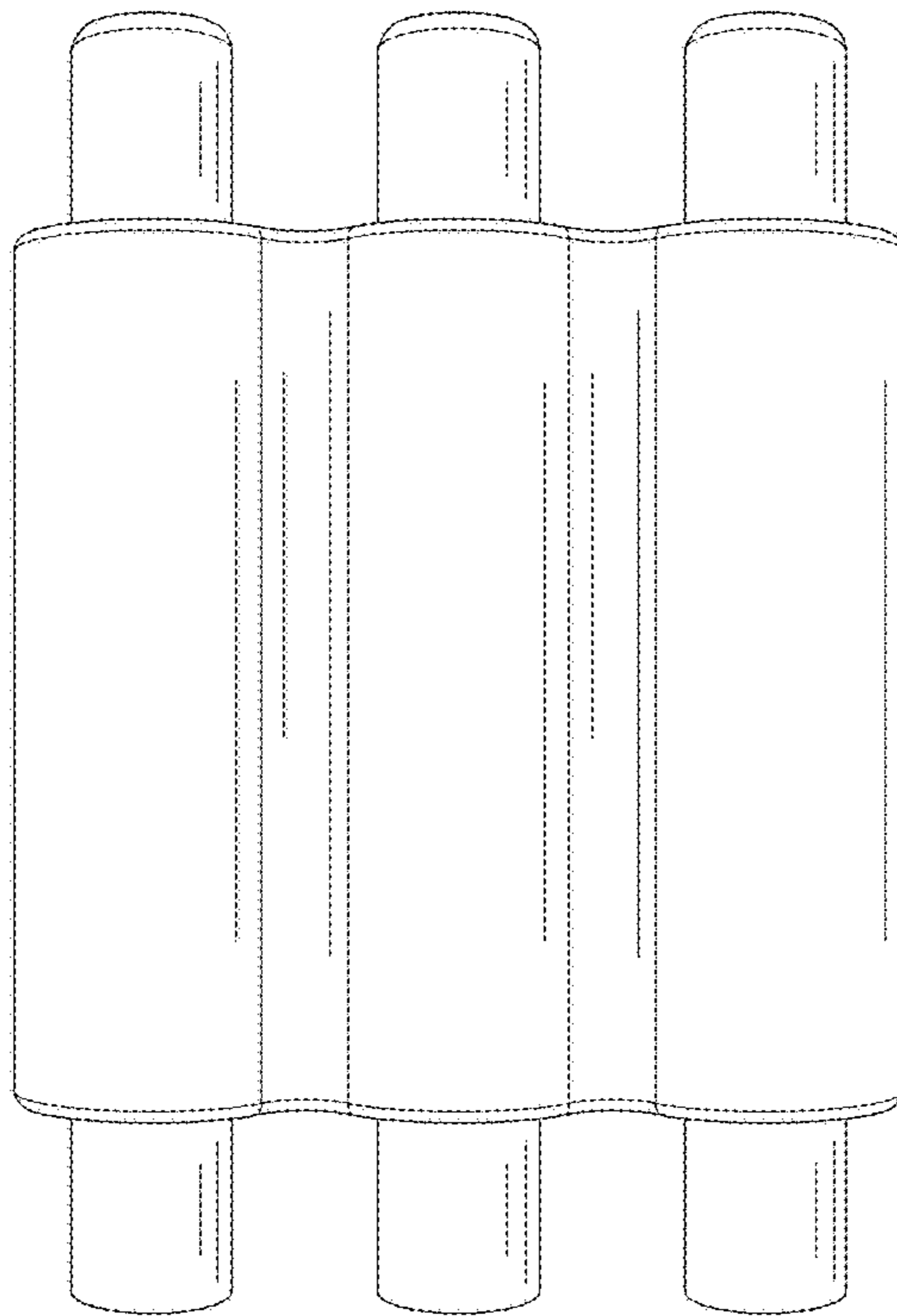


FIG. 3

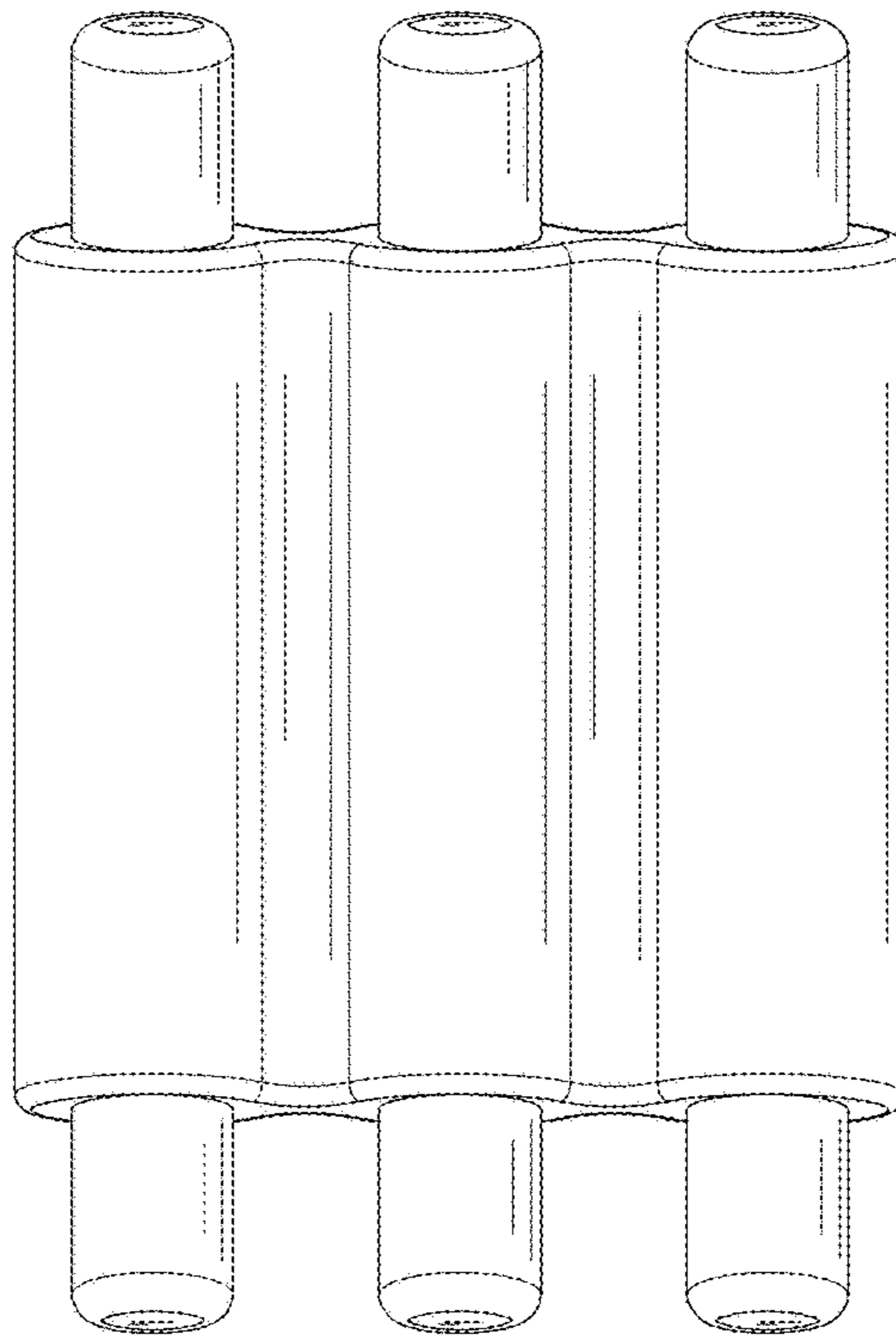


FIG. 4

FIG. 6

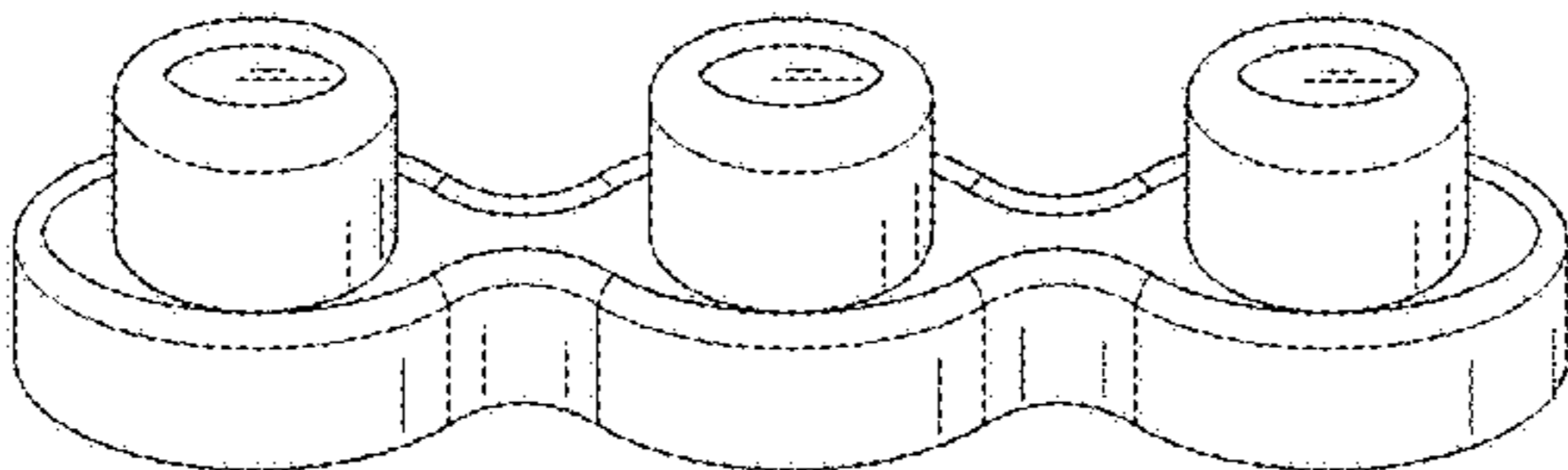


FIG. 5

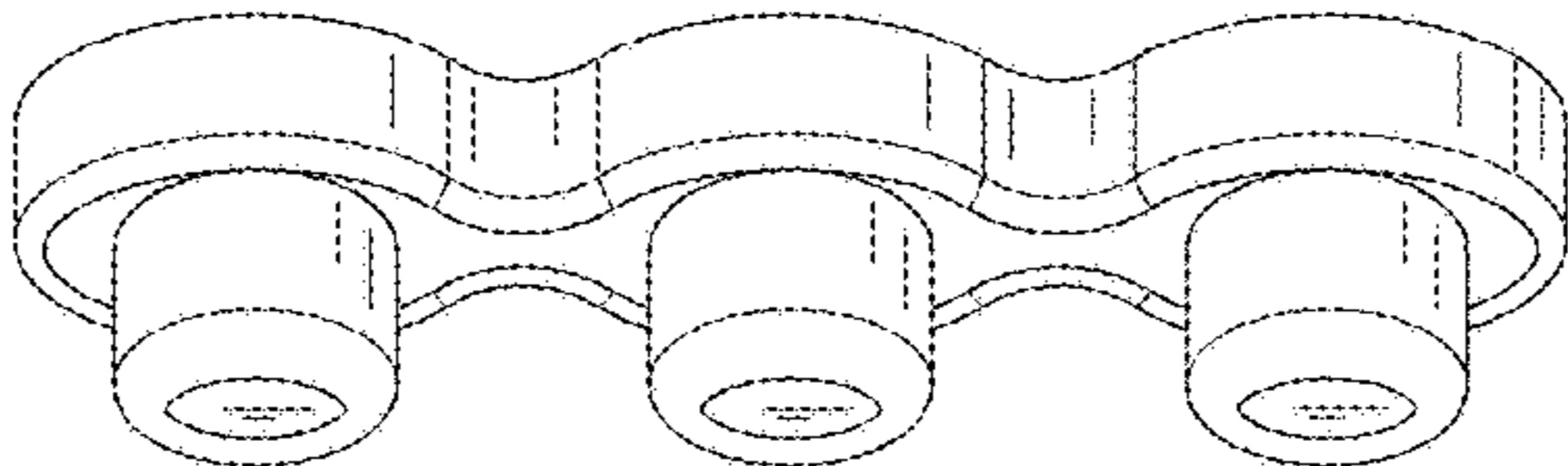


FIG. 7

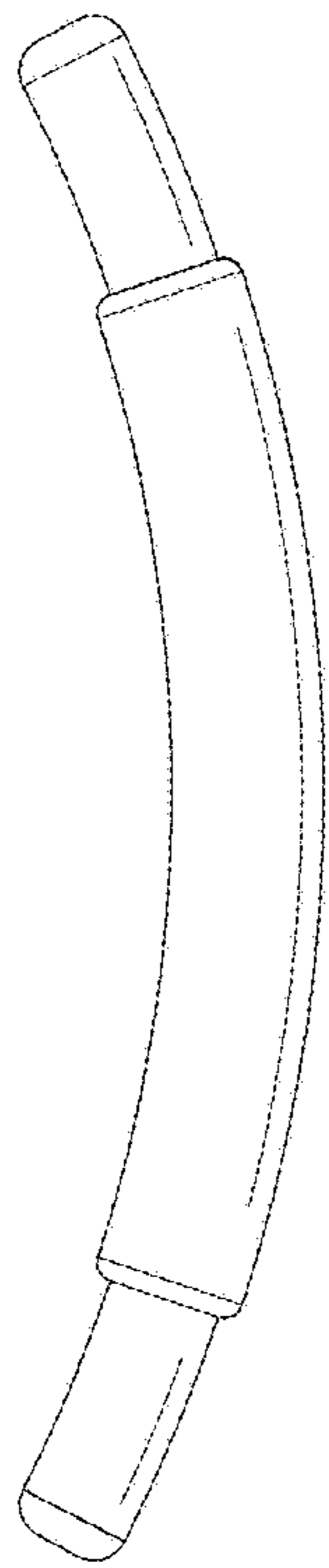
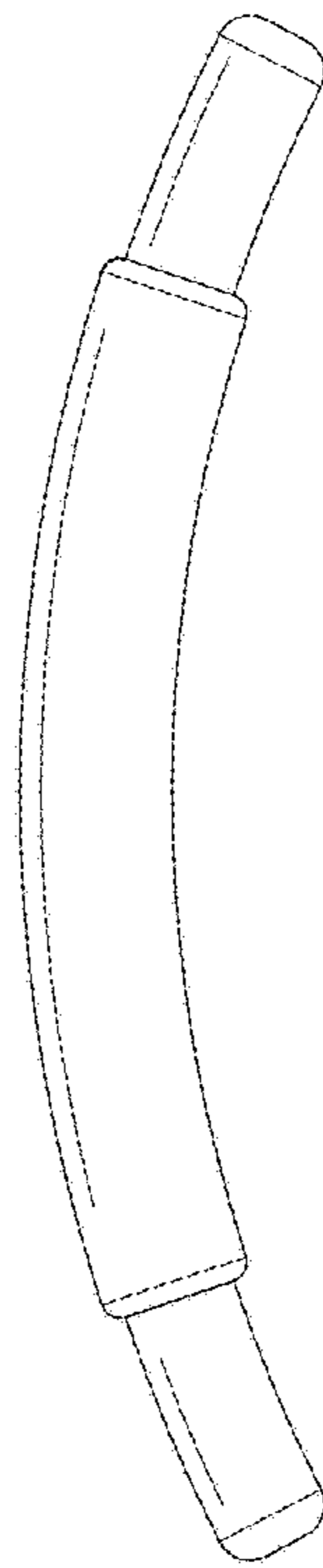


FIG. 8





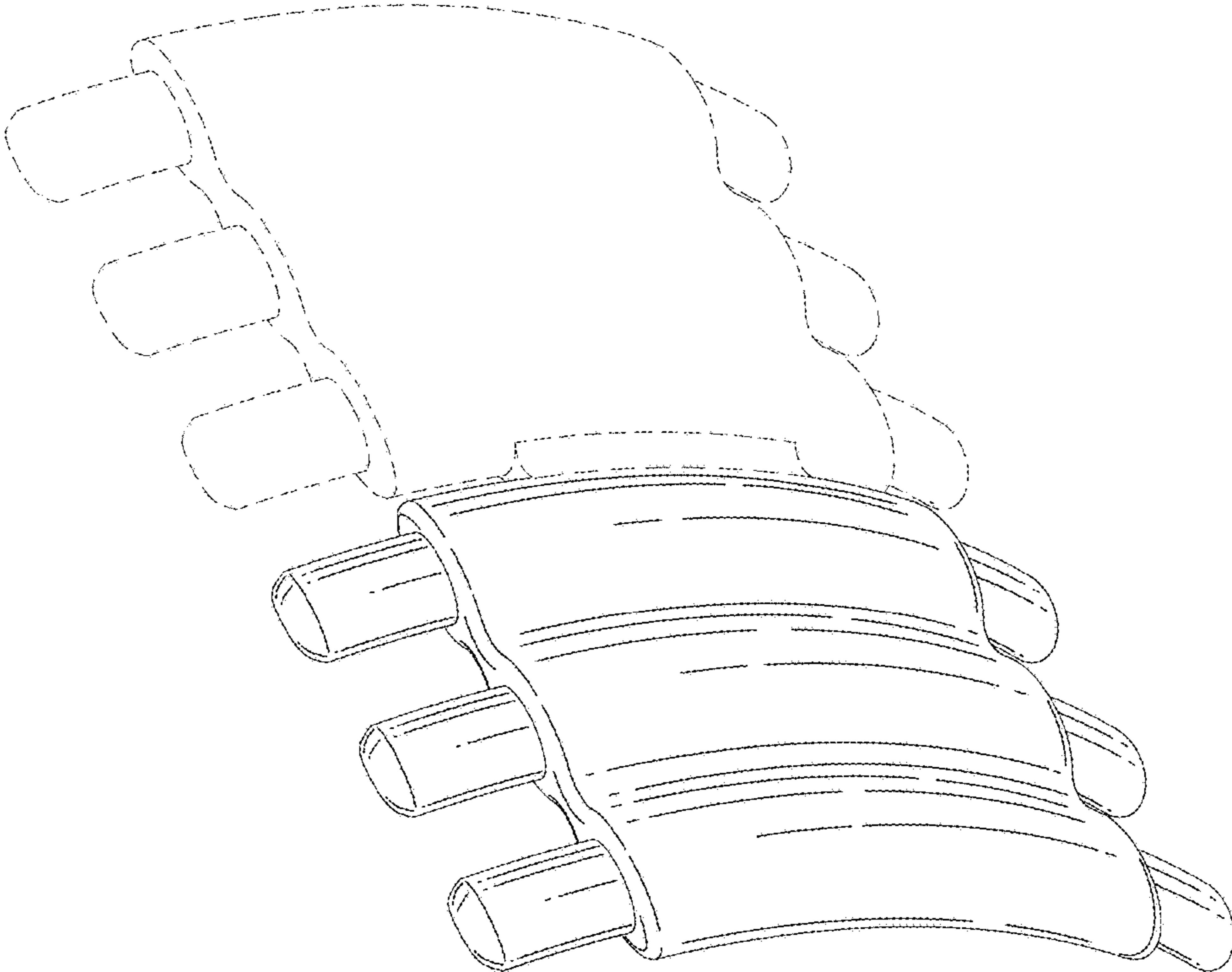


FIG. 9

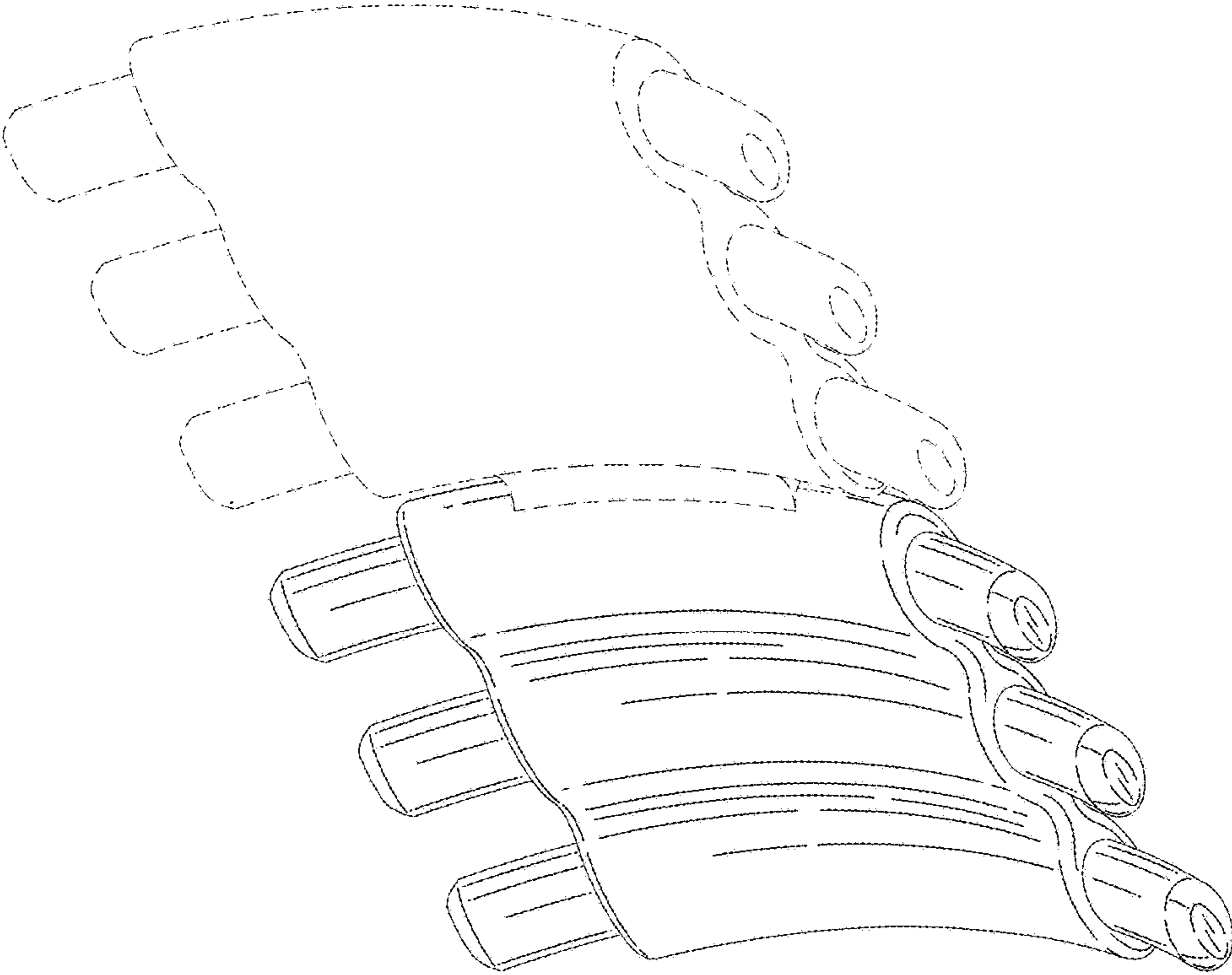


FIG. 10

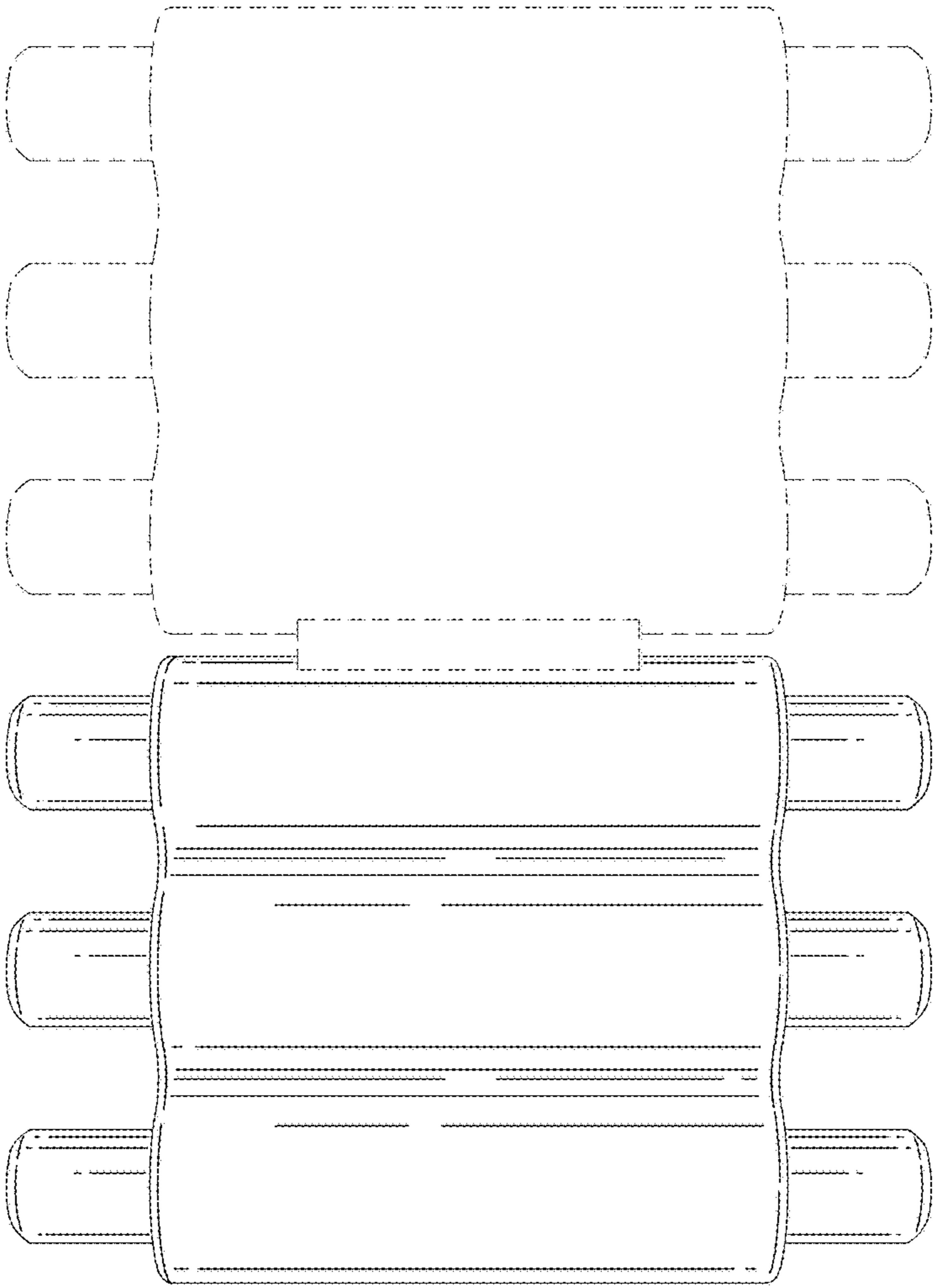


FIG. 11

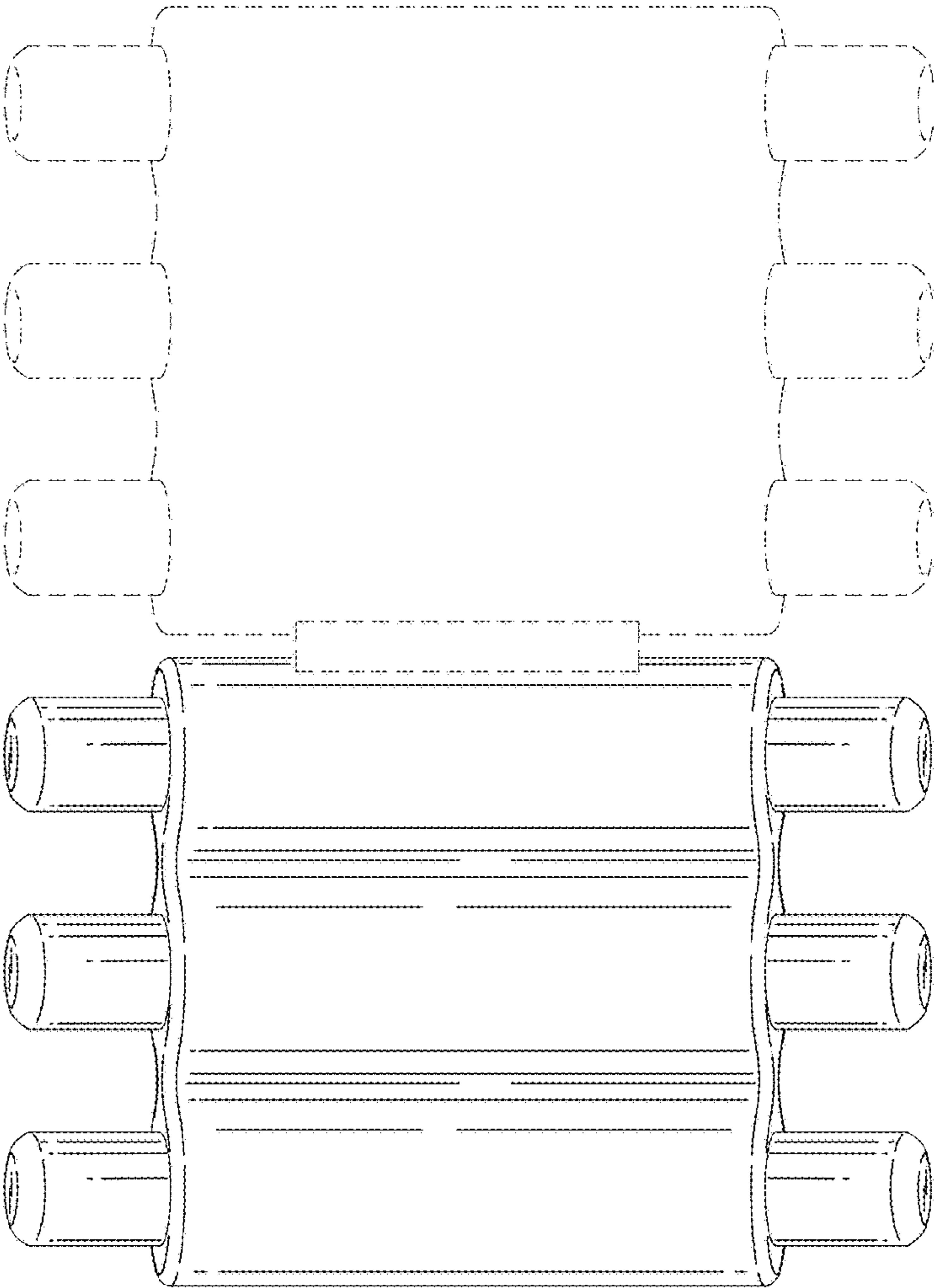


FIG. 12

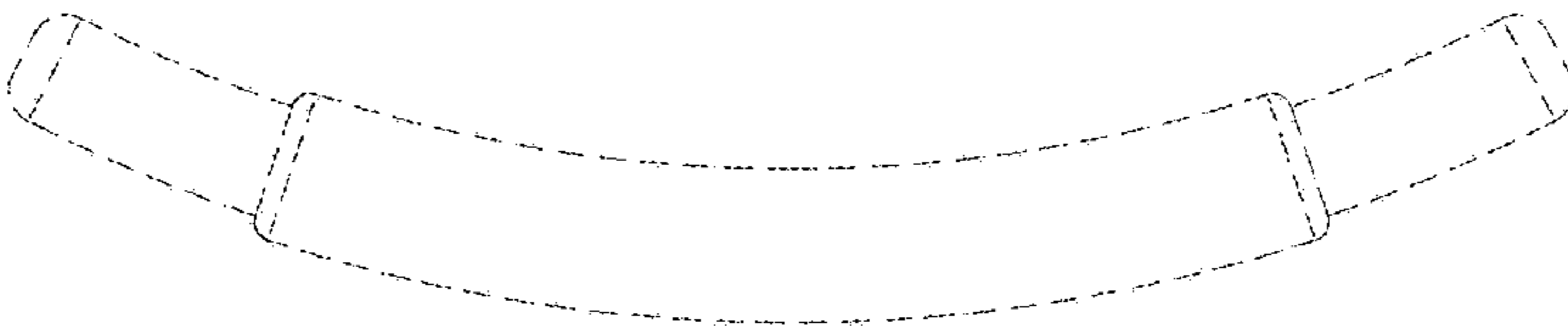


FIG. 14

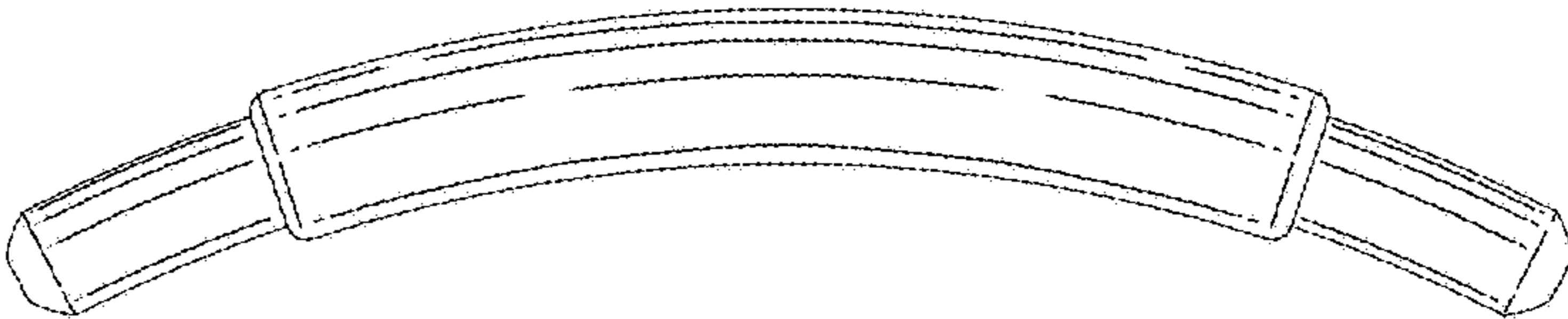


FIG. 13

FIG. 15

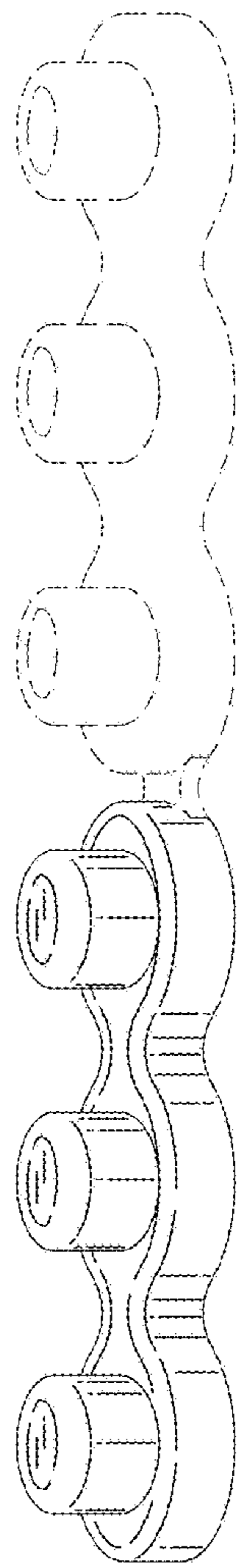


FIG. 16

