



US00D858927S

(12) **United States Design Patent**
Wolford et al.

(10) **Patent No.:** **US D858,927 S**

(45) **Date of Patent:** **** Sep. 3, 2019**

(54) **TOOL CART**

(71) Applicant: **VIS, LLC**, Travelers Rest, SC (US)

(72) Inventors: **Sherri Wolford**, Greenville, SC (US);
Stephen Cain, Greer, SC (US); **Jorge Palacio**, Greenville, SC (US); **John D. Parson**, Easley, SC (US)

(73) Assignee: **VIS, LLC**, Travelers Rest, SC (US)

(**) Term: **15 Years**

(21) Appl. No.: **29/642,384**

(22) Filed: **Mar. 29, 2018**

(51) **LOC (12) Cl.** **12-02**

(52) **U.S. Cl.**
USPC **D34/14**; D6/671; D34/19

(58) **Field of Classification Search**
USPC 180/20; 280/33.991, 33.992, 33.995,
280/33.996, 33.997, 47.35, 659, 79.2,
280/79.3, 79.11, 647, 651; D12/129;
D34/12, 14, 16, 17, 19, 20, 21, 23, 24,
D34/25, 27; 312/249, 249.11; D6/671
CPC B62B 3/027; B62B 5/0438; B62B 3/00;
B62B 3/16

See application file for complete search history.

(56) **References Cited**

U.S. PATENT DOCUMENTS

D240,629 S *	7/1976	Cope	D34/20
4,875,696 A *	10/1989	Welch	B60B 33/02
				280/47.34
5,016,948 A *	5/1991	Welch	A61G 12/001
				211/126.15
5,040,811 A *	8/1991	Busken	B62B 3/003
				280/47.34
D323,051 S *	1/1992	Baggott	D34/14
D332,855 S *	1/1993	Royse	D24/185
D335,566 S *	5/1993	Spriggs	D34/14

D341,010 S *	11/1993	Johnson	D34/14
D345,839 S *	4/1994	Senese	D34/14
5,375,860 A *	12/1994	Ernsberger	B62B 3/00
				220/909
D393,553 S *	4/1998	Beggs	D3/312
D404,874 S *	1/1999	Sandy	D34/12
D407,578 S *	4/1999	Crinion	D34/19
D457,704 S *	5/2002	Fiscus	D34/19
D478,199 S *	8/2003	Presnell	D34/20
D482,173 S *	11/2003	Van Lanningham, Jr.	D34/27
D487,604 S *	3/2004	Van Lanningham, Jr.	D34/12
D493,593 S *	7/2004	Anderson	D34/14
D510,168 S *	9/2005	Lovegrove	D34/17
7,144,020 B2 *	12/2006	Huguet	A47B 95/043
				280/47.34

(Continued)

Primary Examiner — Cynthia Ramirez

Assistant Examiner — Michael A Maharajh

(74) *Attorney, Agent, or Firm* — J. Bennett Mullinax, LLC

(57) **CLAIM**

The ornamental design for a tool cart, as shown and described.

DESCRIPTION

FIG. 1 is a front perspective view of the tool cart according to the present design;

FIG. 2 is a right side view of the tool cart as shown in FIG. 1;

FIG. 3 is a left side view of the tool cart as shown in FIG. 1;

FIG. 4 is a front view of the tool cart as shown in FIG. 1;

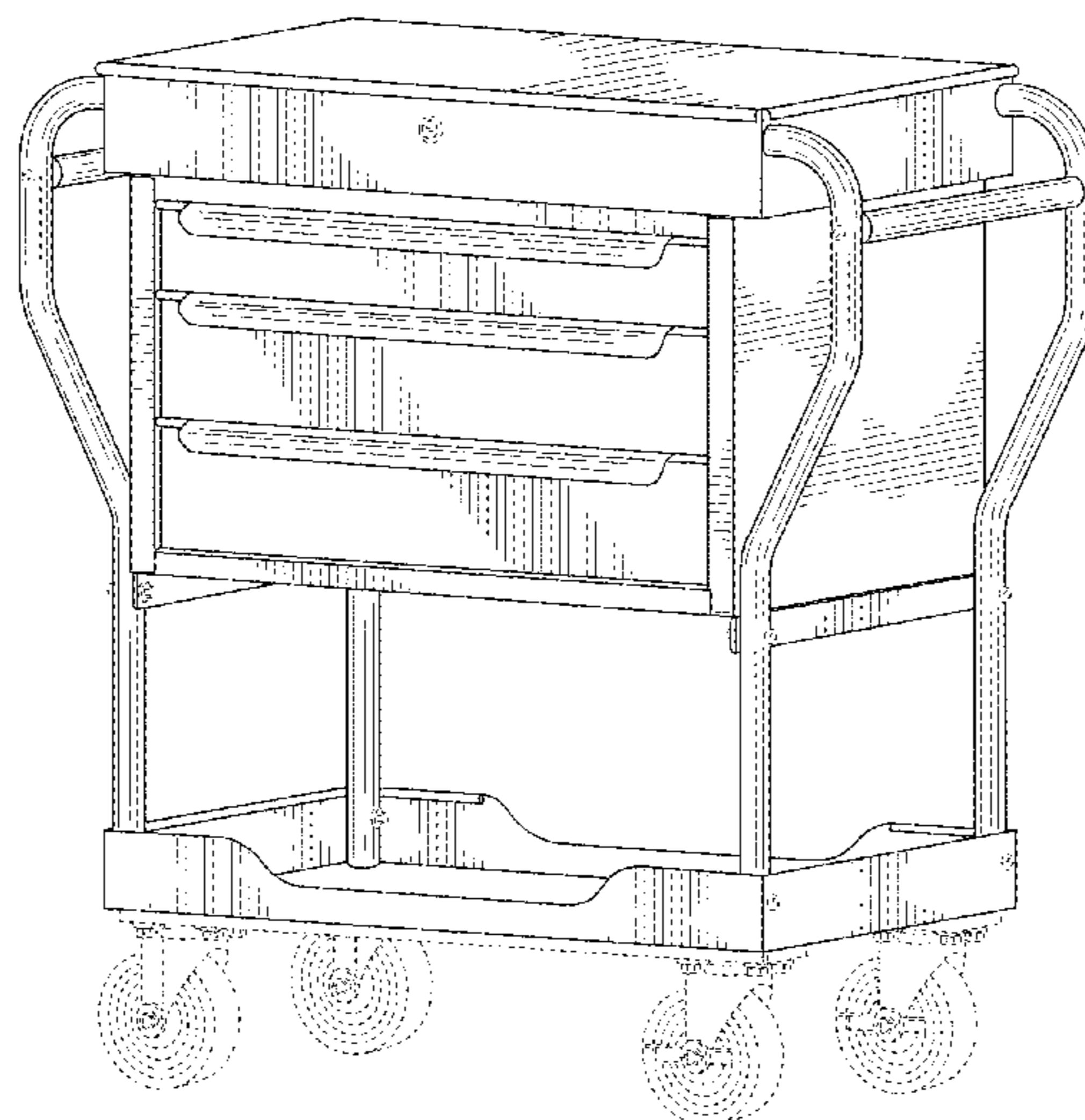
FIG. 5 is a rear view of the tool cart as shown in FIG. 1;

FIG. 6 is a bottom view of the tool cart as shown in FIG. 1; and,

FIG. 7 is a top view of the tool cart as shown in FIG. 1.

The broken lines in the drawings are for the purpose of illustrating portions of the tool cart, which form no part of the claimed design.

1 Claim, 6 Drawing Sheets



(56)

References Cited

U.S. PATENT DOCUMENTS

7,198,511	B2 *	4/2007	Brennan, Jr.	B25H 3/00 280/47.19
D546,017	S *	7/2007	Wise	D34/19
D574,570	S *	8/2008	Tsai	D34/12
D598,622	S *	8/2009	Wise	D34/19
D608,969	S *	1/2010	Wise	D34/12
D618,418	S *	6/2010	Catron	D34/12
D637,373	S *	5/2011	Benning	D34/19
8,070,181	B2 *	12/2011	Forrest	B62B 3/02 280/35
D653,010	S *	1/2012	Shen	D34/19
D707,912	S *	6/2014	Koehler	D34/19
8,752,848	B2 *	6/2014	Petrick	H01R 13/465 280/47.35
8,864,149	B2 *	10/2014	Stryker	A61G 12/001 280/47.35
D723,237	S *	2/2015	Maddux	D34/12
D730,661	S *	6/2015	Brunner	D6/671
D794,273	S *	8/2017	Abel	D34/12
D809,730	S *	2/2018	Churchvara	D34/21
D832,625	S *	11/2018	Chiao	D6/671
2005/0236940	A1 *	10/2005	Rockoff	A61G 12/001 312/209
2013/0181419	A1 *	7/2013	Benning	B62B 3/005 280/79.2
2017/0232988	A1 *	8/2017	Bernier	B62B 3/005 280/47.35

* cited by examiner

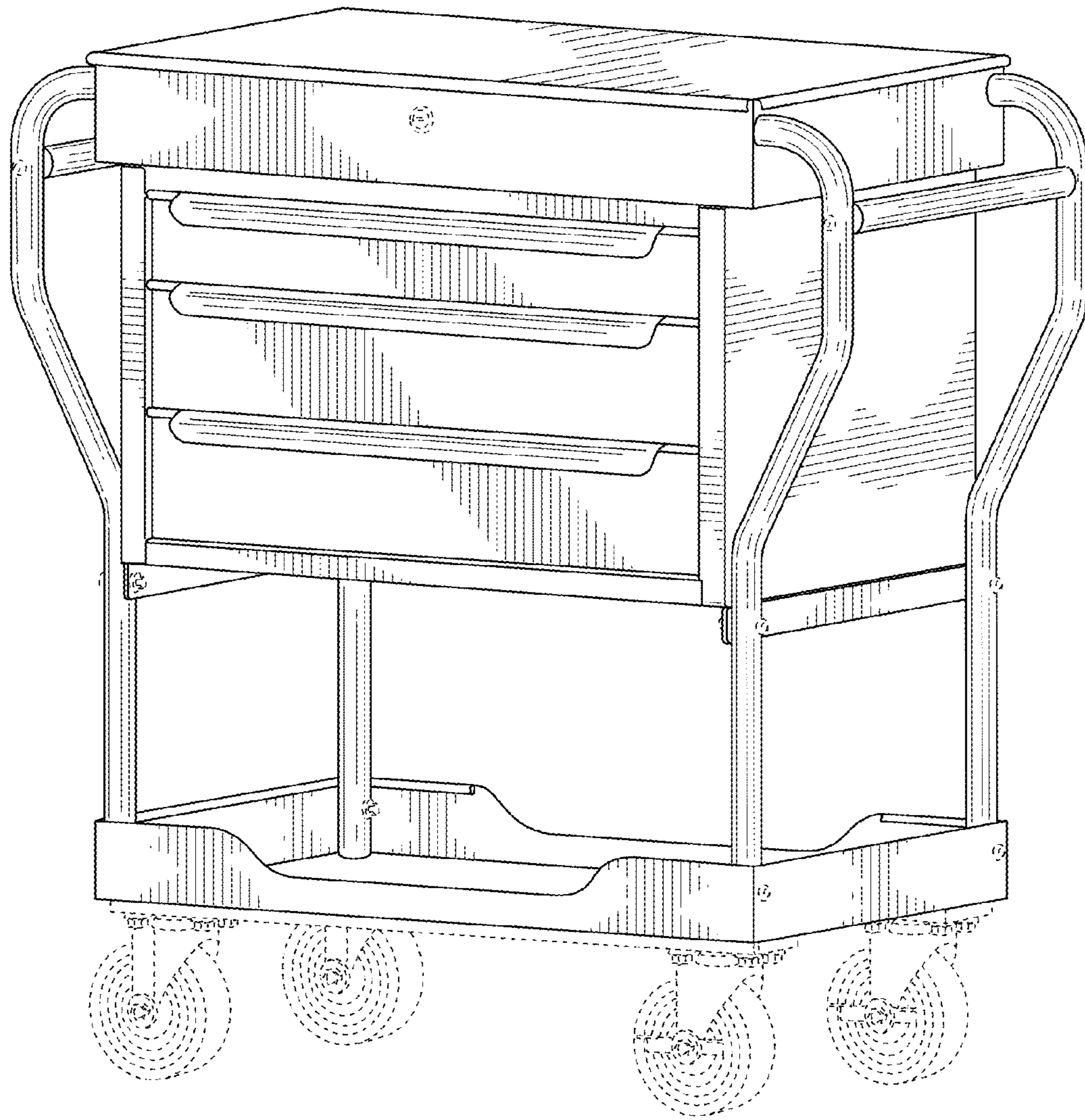


FIG. 1

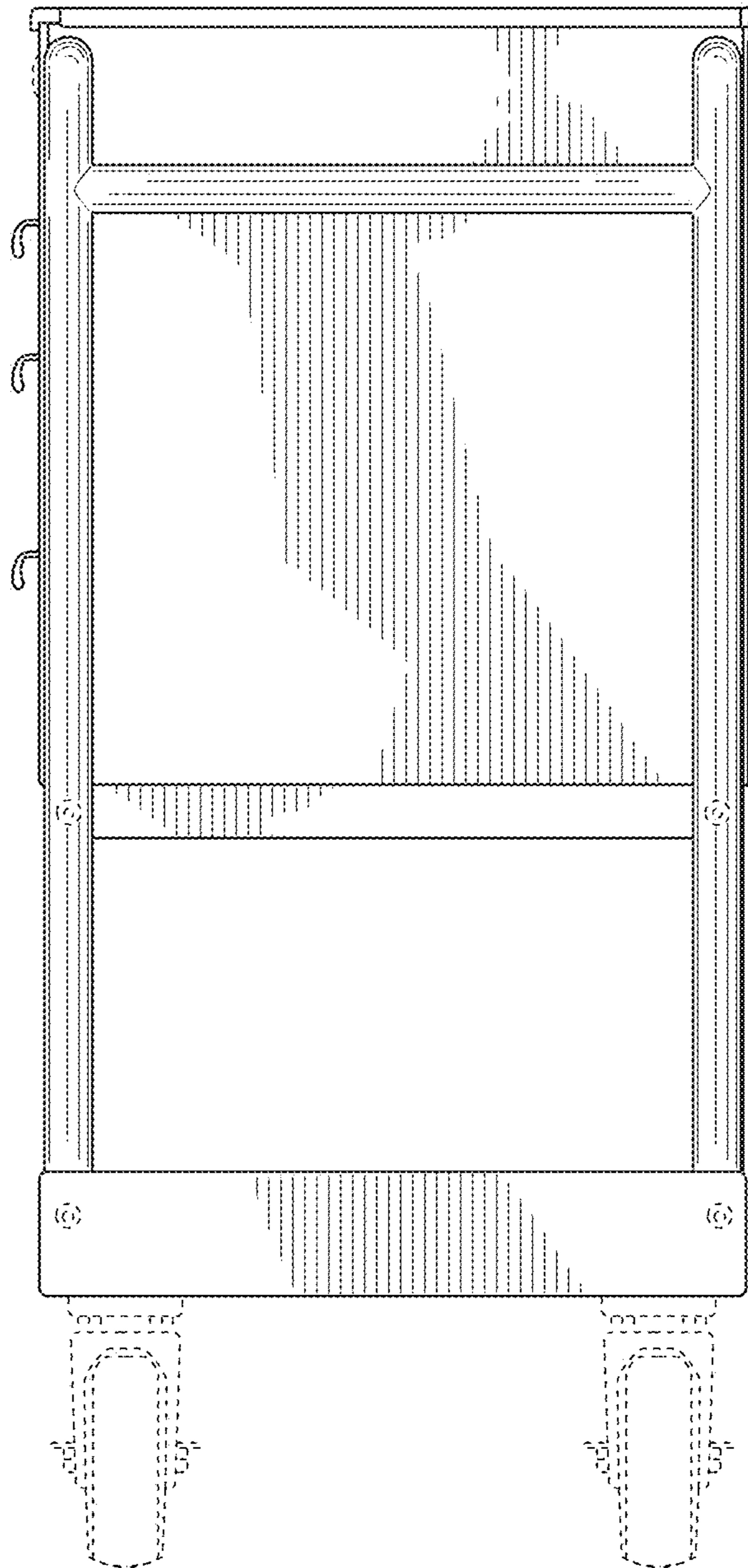


FIG. 2

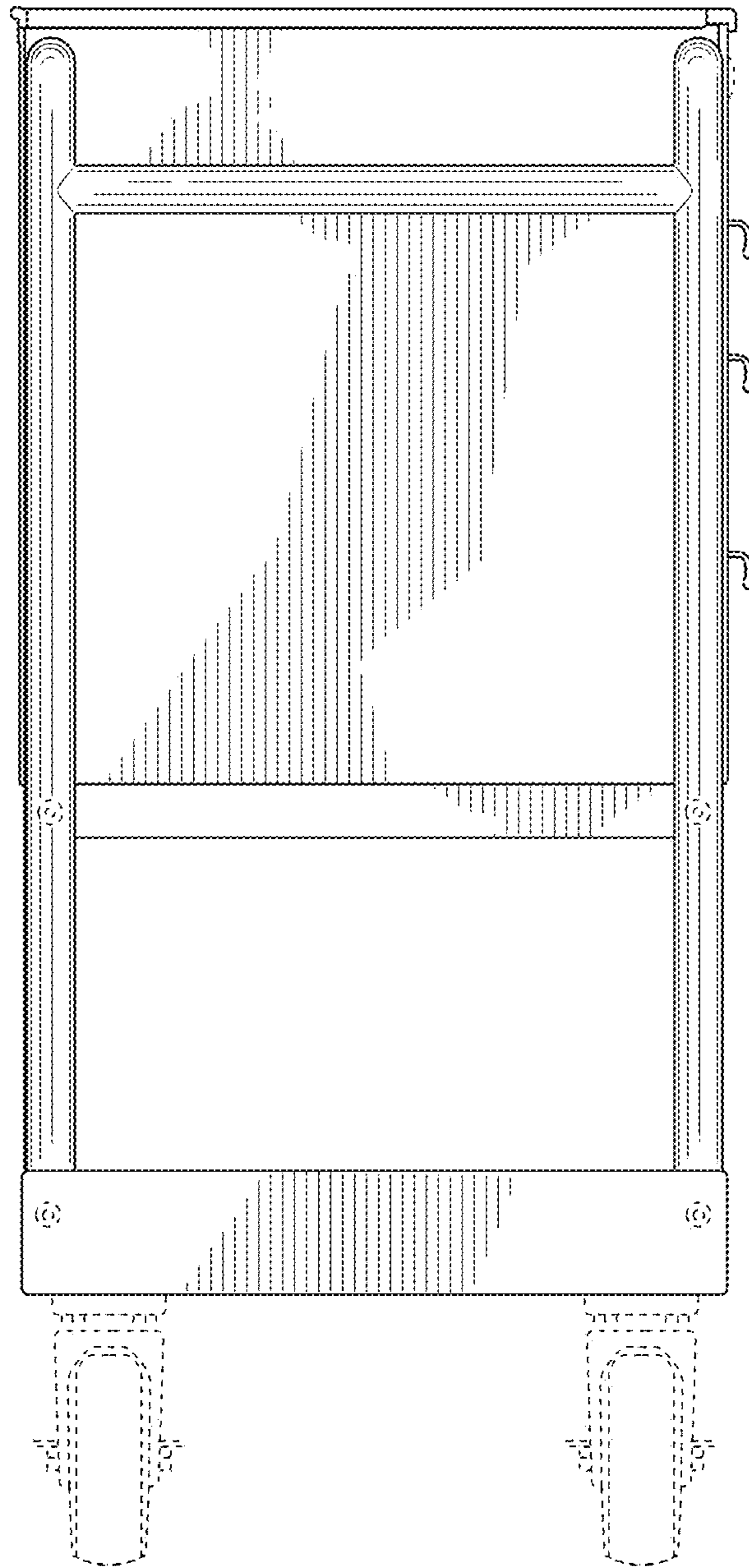


FIG. 3

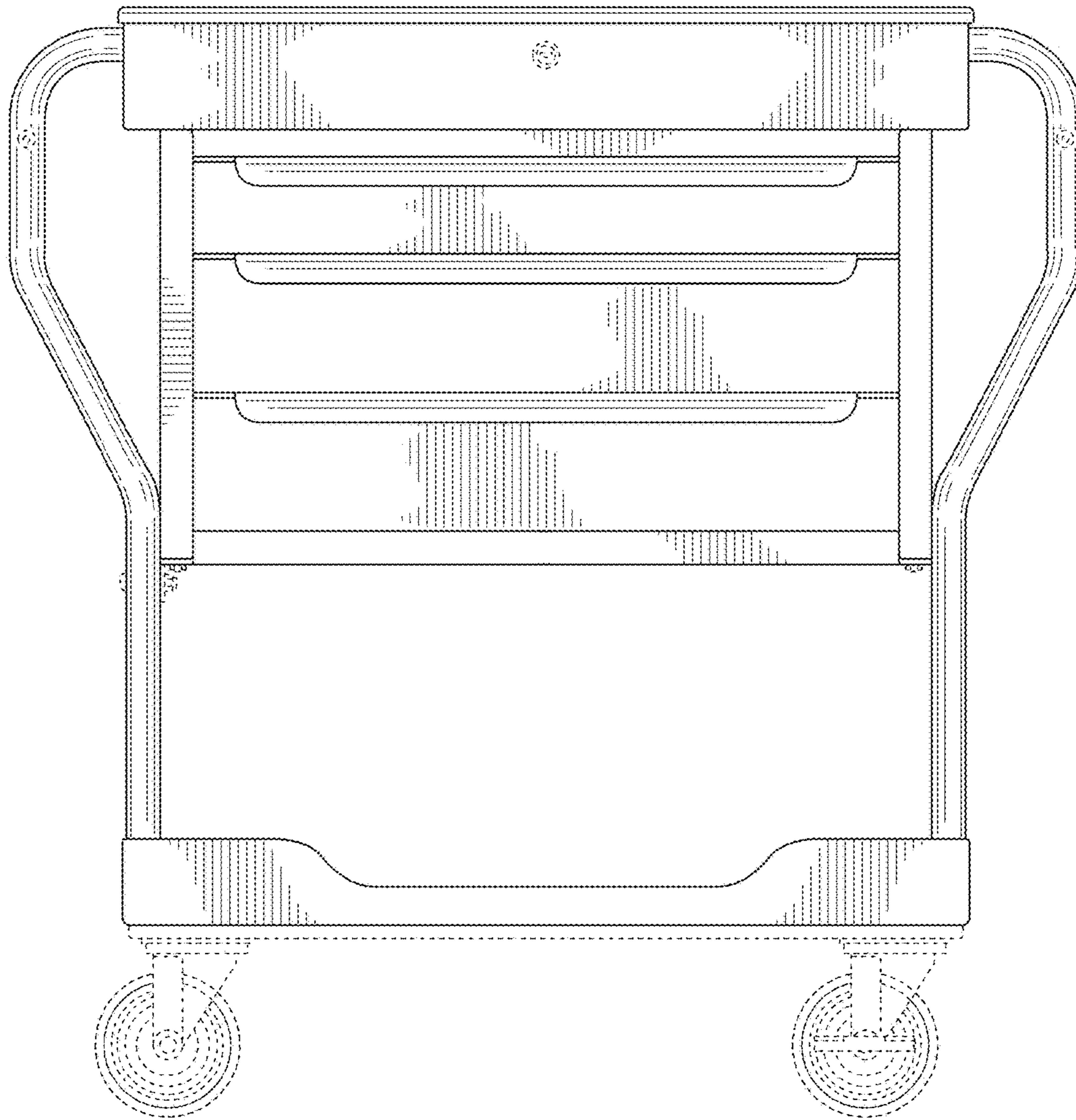


FIG. 4

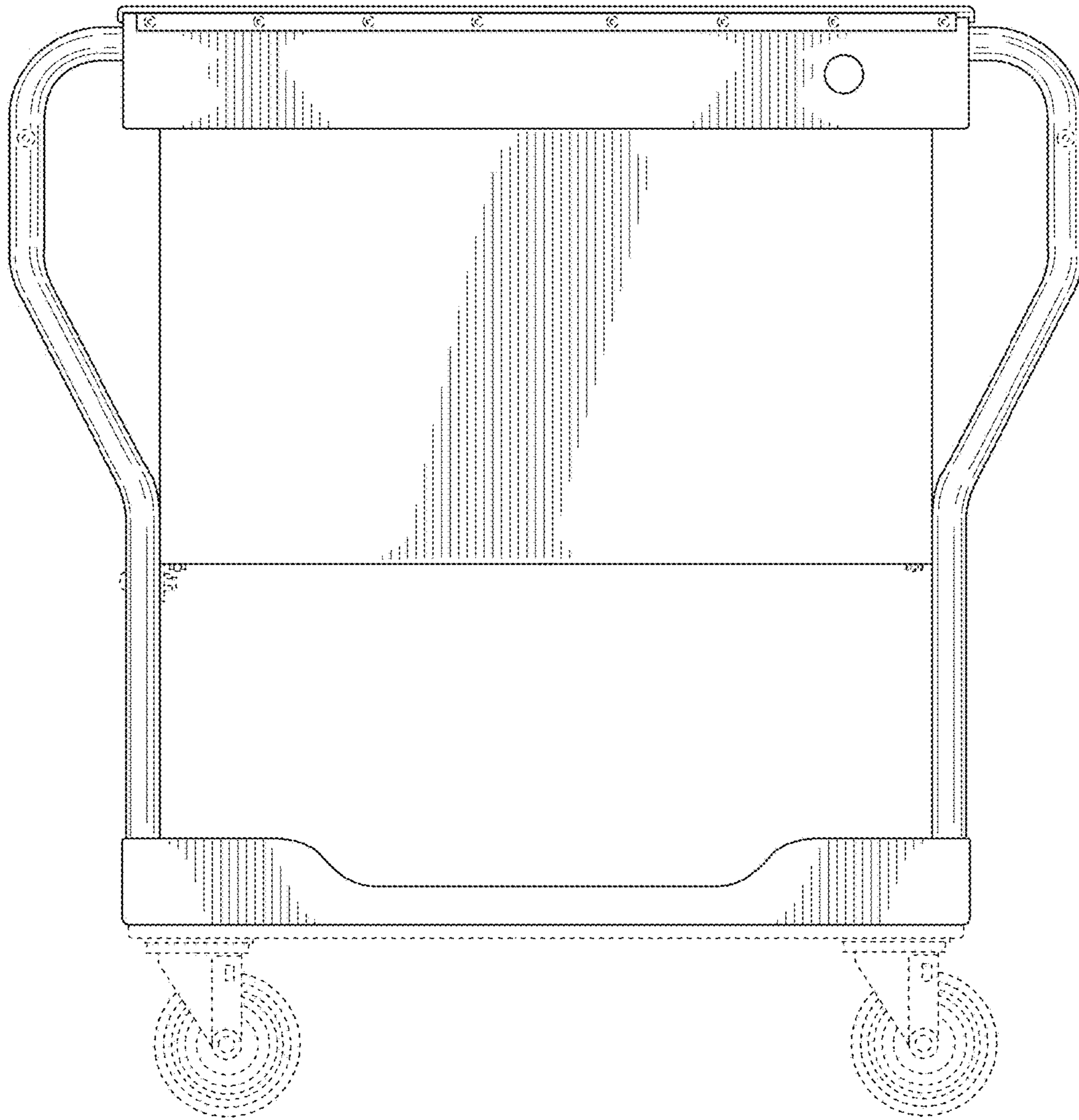


FIG. 5

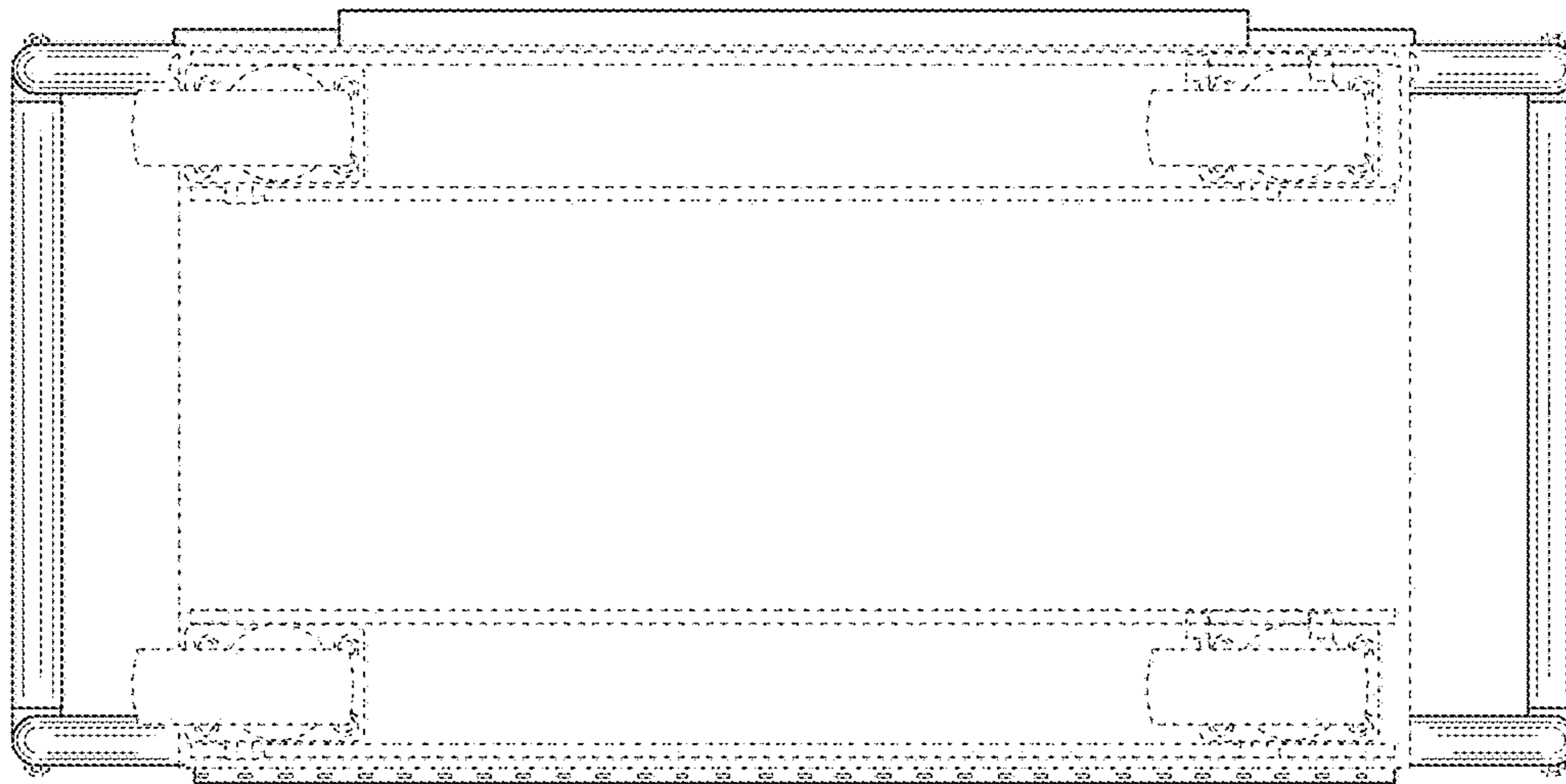


FIG. 6

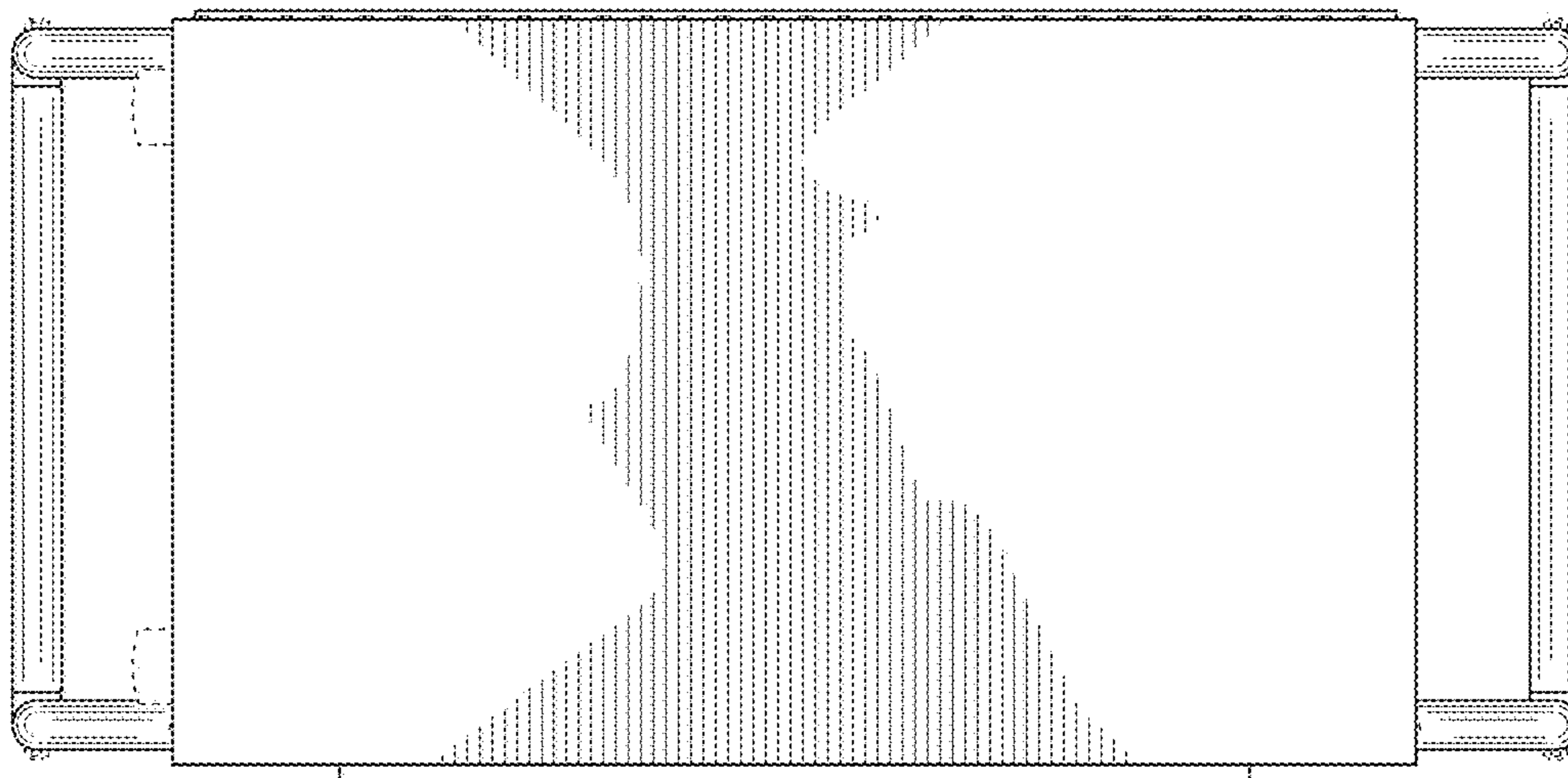


FIG. 7