



US00D858926S

(12) **United States Design Patent** (10) **Patent No.:** **US D858,926 S**  
**Sukhov et al.** (45) **Date of Patent:** **\*\* Sep. 3, 2019**

(54) **STORAGE CART**

(56) **References Cited**

(71) Applicant: **Star Way Systems Corporation,**  
Temecula, CA (US)  
(72) Inventors: **Alex Nicolai Sukhov,** Temecula, CA  
(US); **Nathanial Alexander Sukhov,**  
Temecula, CA (US)  
(73) Assignee: **STAR WAY SYSTEMS**  
**CORPORATION,** Temecula, CA (US)  
(\*\*) Term: **15 Years**  
(21) Appl. No.: **29/631,925**  
(22) Filed: **Jan. 3, 2018**

U.S. PATENT DOCUMENTS

D304,111 S	10/1989	Mehalick	
D307,209 S	4/1990	Gallagher	
5,478,189 A	12/1995	Agtuca	
D420,187 S	2/2000	Houry	
D444,930 S	7/2001	Brown	
D574,628 S	8/2008	Grela	
D810,377 S *	2/2018	Sukhov	..... D34/12

\* cited by examiner

*Primary Examiner* — Cynthia Ramirez  
(74) *Attorney, Agent, or Firm* — Entralta P.C.; Justin G. Sanders; Peter D. Weinstein

(57) **CLAIM**

The ornamental design for a storage cart, as shown and described.

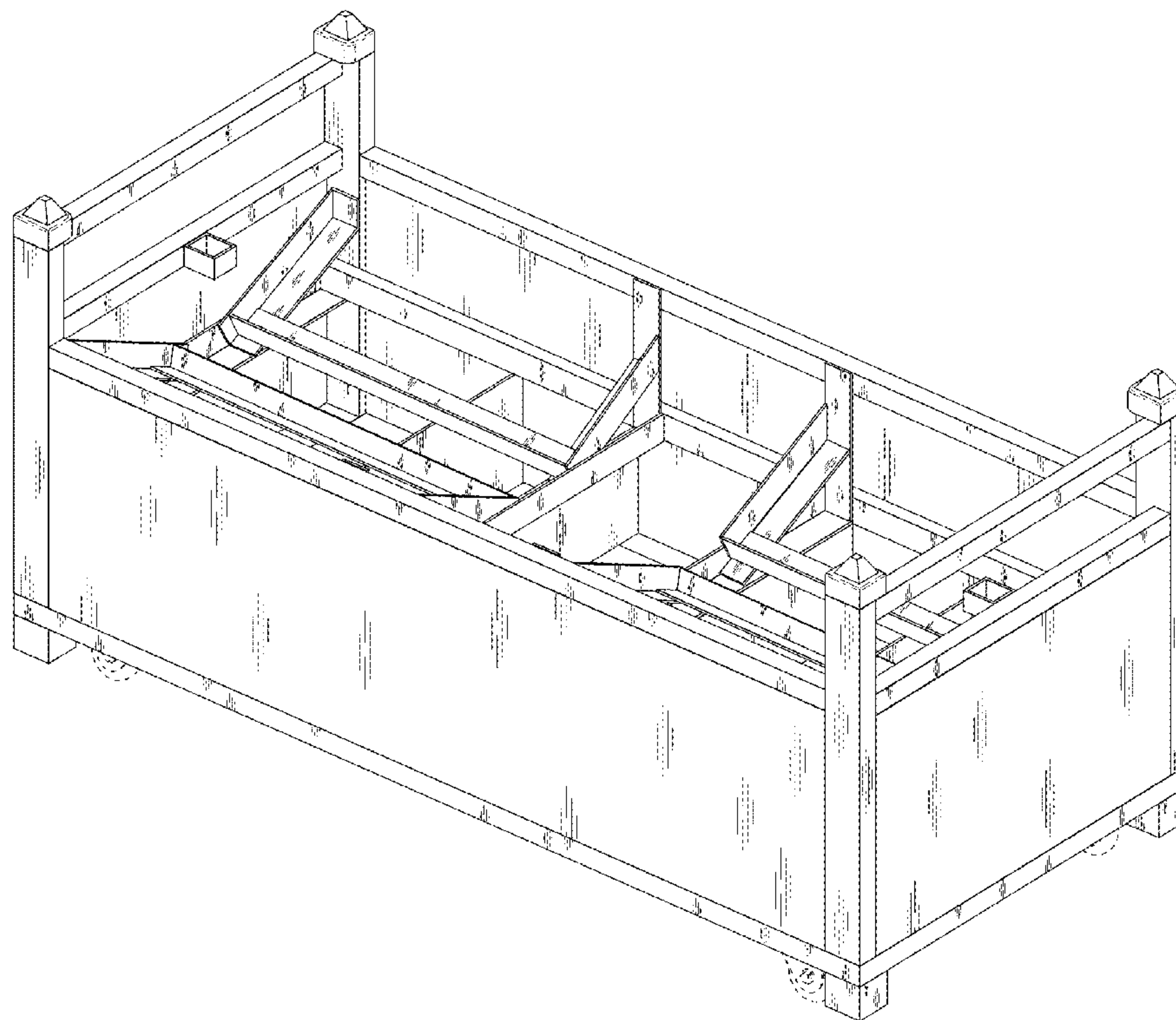
**DESCRIPTION**

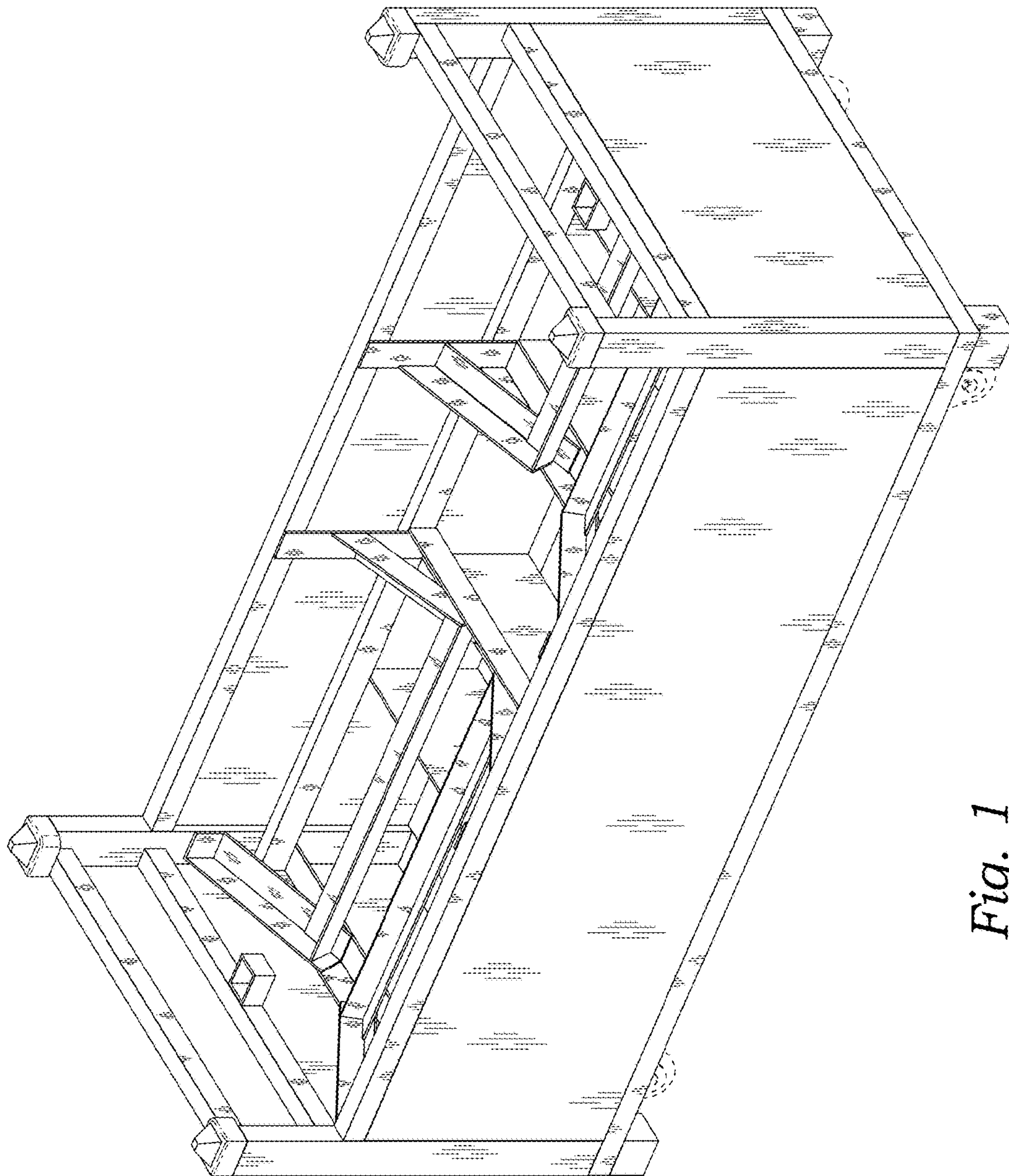
FIG. 1 is a perspective view of our new storage cart design; FIG. 2 is a side view thereof, both side views being identical; FIG. 3 is a front view thereof, the rear view being identical thereto; FIG. 4 is a top view thereof; and, FIG. 5 is a bottom view thereof. The broken lines shown are included only for the purpose of illustrating unclaimed portions of the storage cart and form no part of the claimed design.

**Related U.S. Application Data**

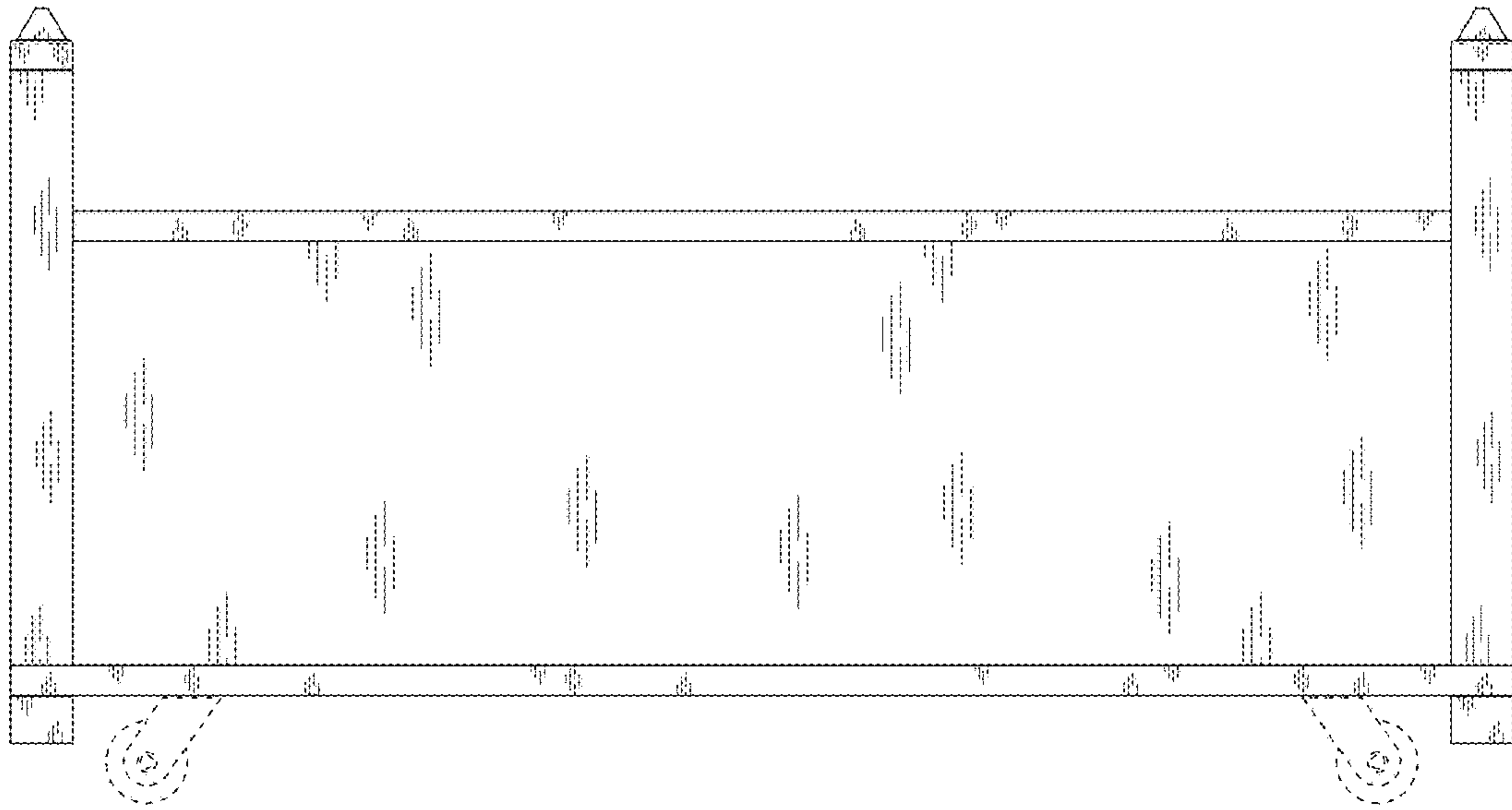
(63) Continuation-in-part of application No. 29/558,885, filed on Mar. 22, 2016, now Pat. No. Des. 810,377.  
(51) **LOC (12) Cl.** ..... **12-02**  
(52) **U.S. Cl.**  
USPC ..... **D34/12**  
(58) **Field of Classification Search**  
USPC ..... D34/12, 19, 20, 25; 280/47.35, 79.3  
CPC ..... B62B 3/02; B62B 3/002; B62B 3/006;  
B62B 3/10  
See application file for complete search history.

**1 Claim, 3 Drawing Sheets**

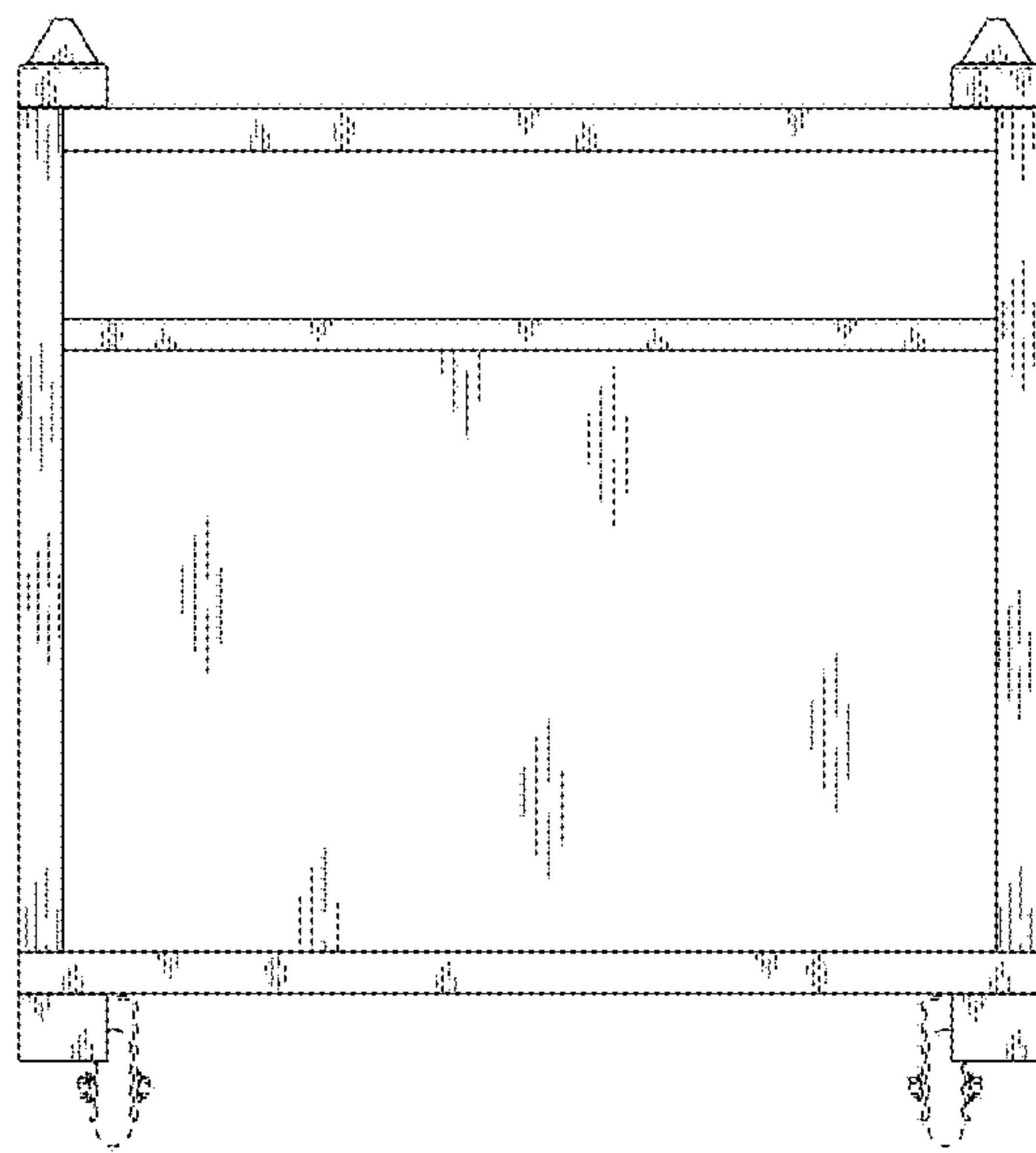




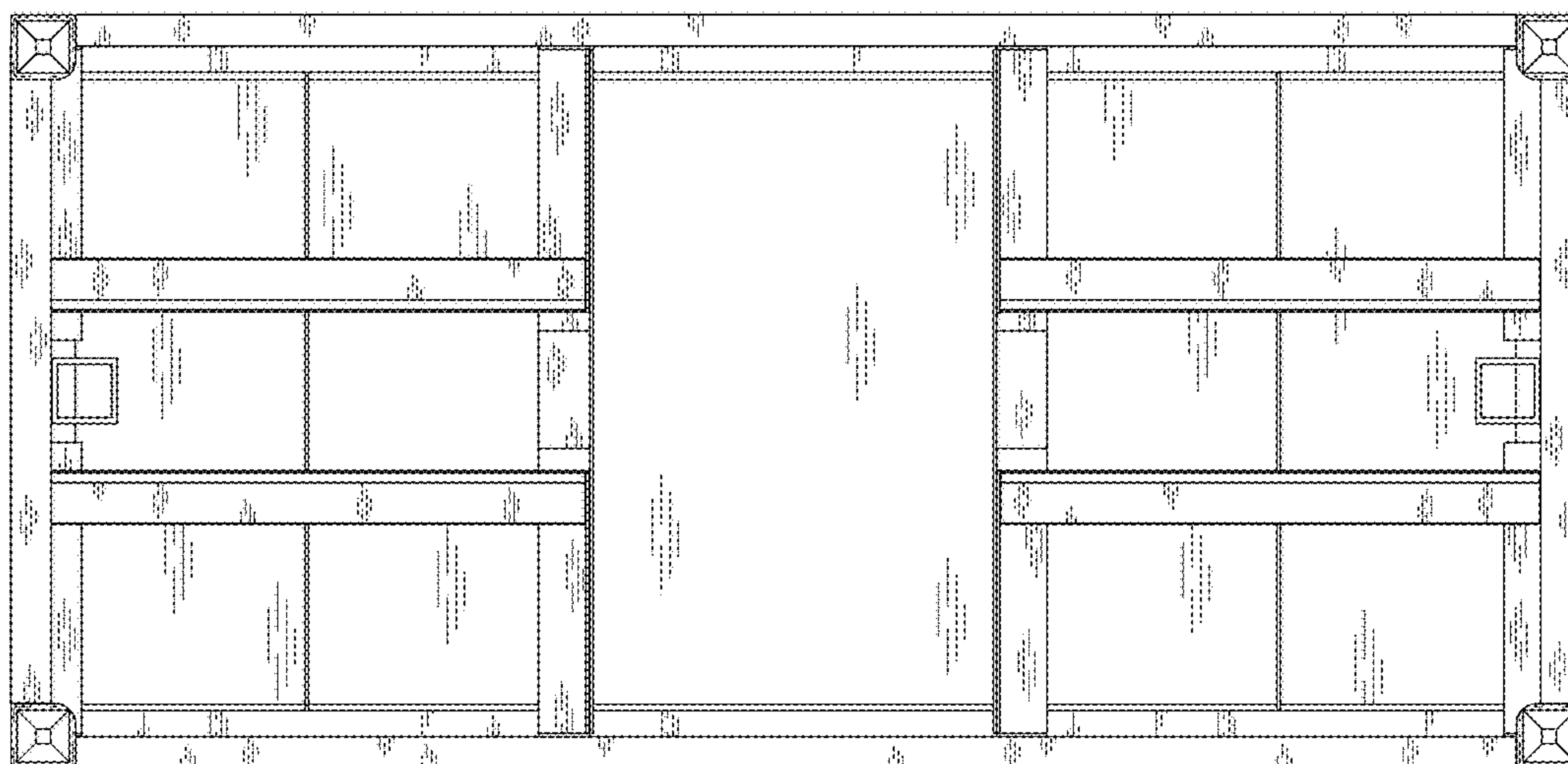
*Fig. 1*



*Fig. 2*



*Fig. 3*



*Fig. 4*



*Fig. 5*