



US00D858925S

(12) **United States Design Patent** (10) **Patent No.:** **US D858,925 S**
Sukhov et al. (45) **Date of Patent:** **** Sep. 3, 2019**

(54) **STORAGE CART**

(56) **References Cited**

(71) Applicant: **Star Way Systems Corporation,**
Temecula, CA (US)
(72) Inventors: **Alex Nicolai Sukhov,** Temecula, CA
(US); **Nathaniel Alexander Sukhov,**
Temecula, CA (US)
(73) Assignee: **STAR WAY SYSTEMS**
CORPORATION, Temecula, CA (US)
(**) Term: **15 Years**
(21) Appl. No.: **29/631,924**
(22) Filed: **Jan. 3, 2018**

U.S. PATENT DOCUMENTS

D304,111 S	10/1989	Mehalick	
D307,209 S	4/1990	Gallagher	
5,478,189 A	12/1995	Agtuca	
D420,187 S	2/2000	Houry	
D444,930 S	7/2001	Brown	
D574,628 S	8/2008	Grela	
D810,377 S *	2/2018	Sukhov D34/12

* cited by examiner

Primary Examiner — Cynthia Ramirez
(74) *Attorney, Agent, or Firm* — Entralta P.C.; Justin G. Sanders; Peter D. Weinstein

(57) **CLAIM**

The ornamental design for a storage cart, as shown and described.

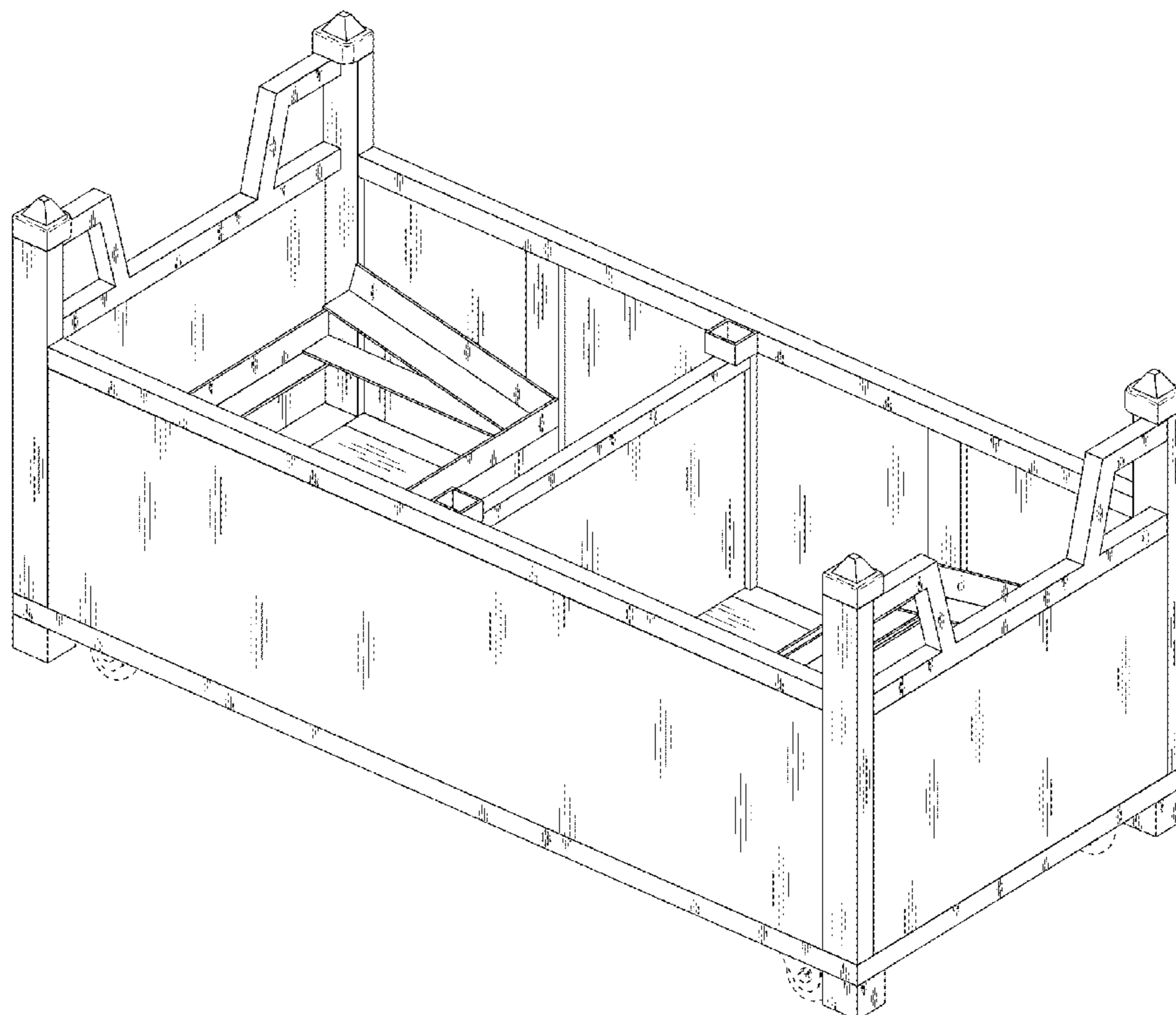
DESCRIPTION

FIG. 1 is a perspective view of our new storage cart design; FIG. 2 is a side view thereof, both side views being identical; FIG. 3 is a front view thereof, the rear view being identical thereto; FIG. 4 is a top view thereof; and, FIG. 5 is a bottom view thereof. The broken lines shown are included only for the purpose of illustrating unclaimed portions of the storage cart and form no part of the claimed design.

Related U.S. Application Data

(63) Continuation-in-part of application No. 29/558,885, filed on Mar. 22, 2016, now Pat. No. Des. 810,377.
(51) **LOC (12) Cl.** **12-02**
(52) **U.S. Cl.**
USPC **D34/12**
(58) **Field of Classification Search**
USPC D34/12, 19, 20, 25; 280/47.35, 79.3
CPC B62B 3/02; B62B 3/002; B62B 3/006;
B62B 3/10
See application file for complete search history.

1 Claim, 3 Drawing Sheets



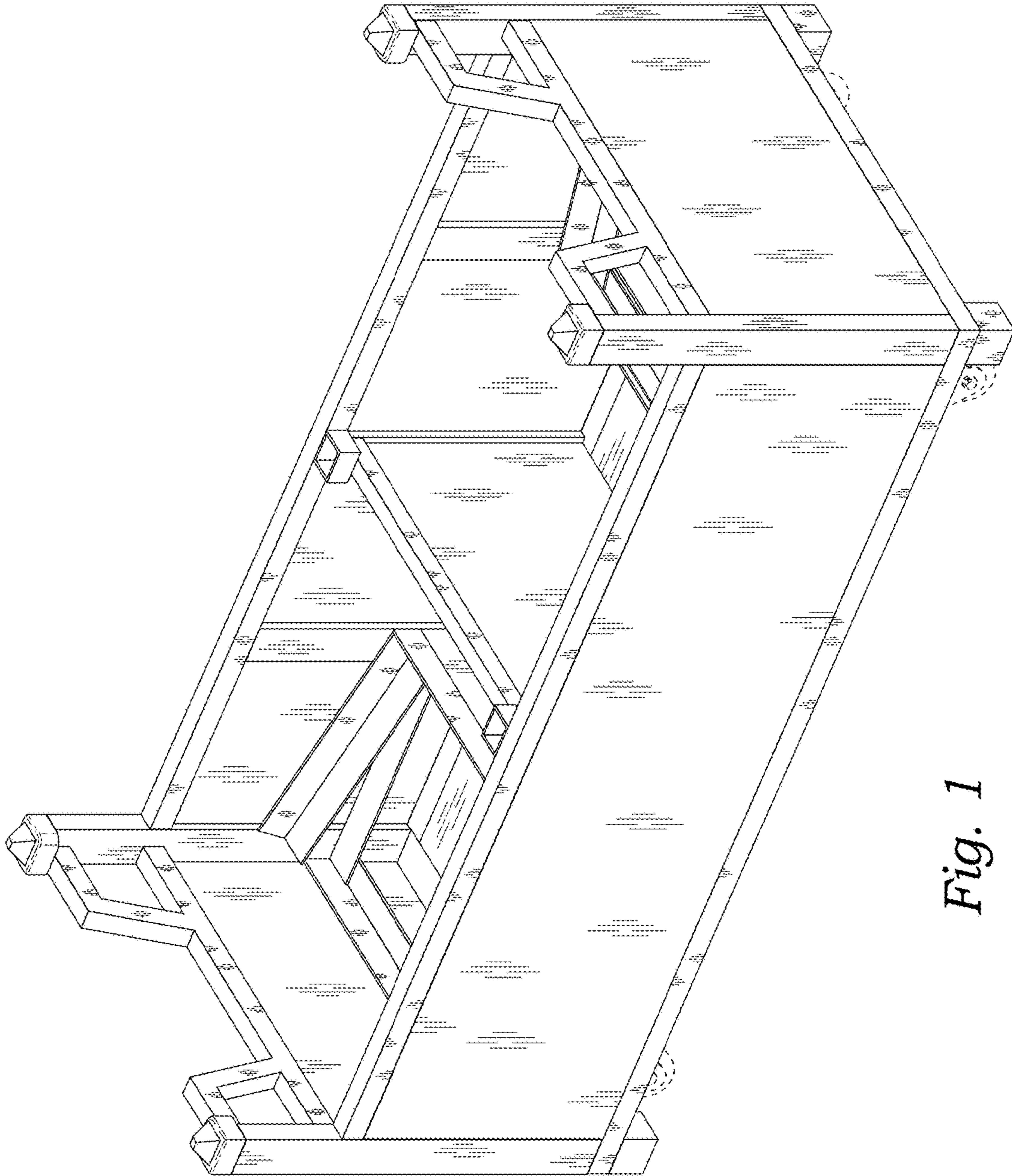


Fig. 1

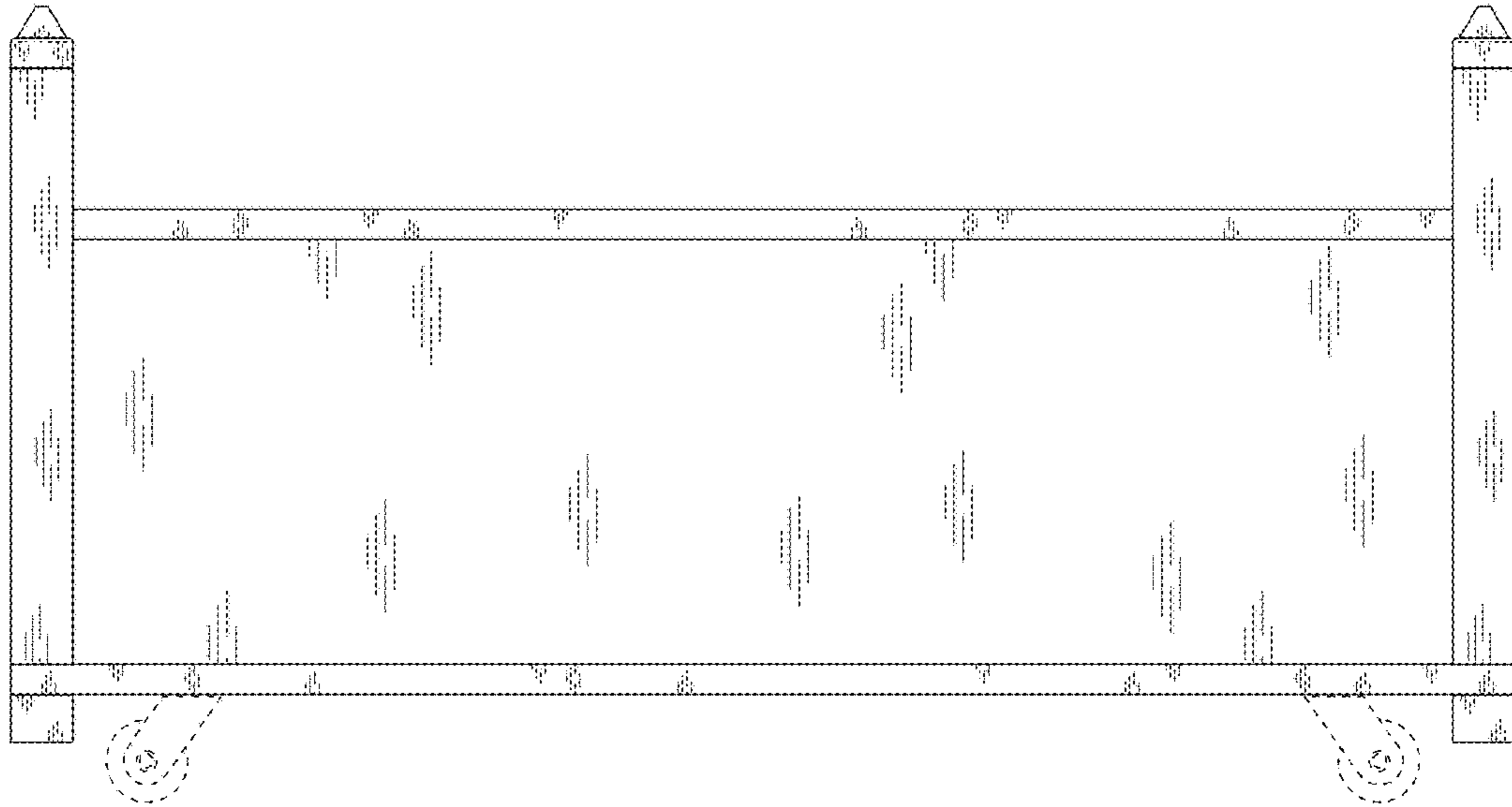


Fig. 2

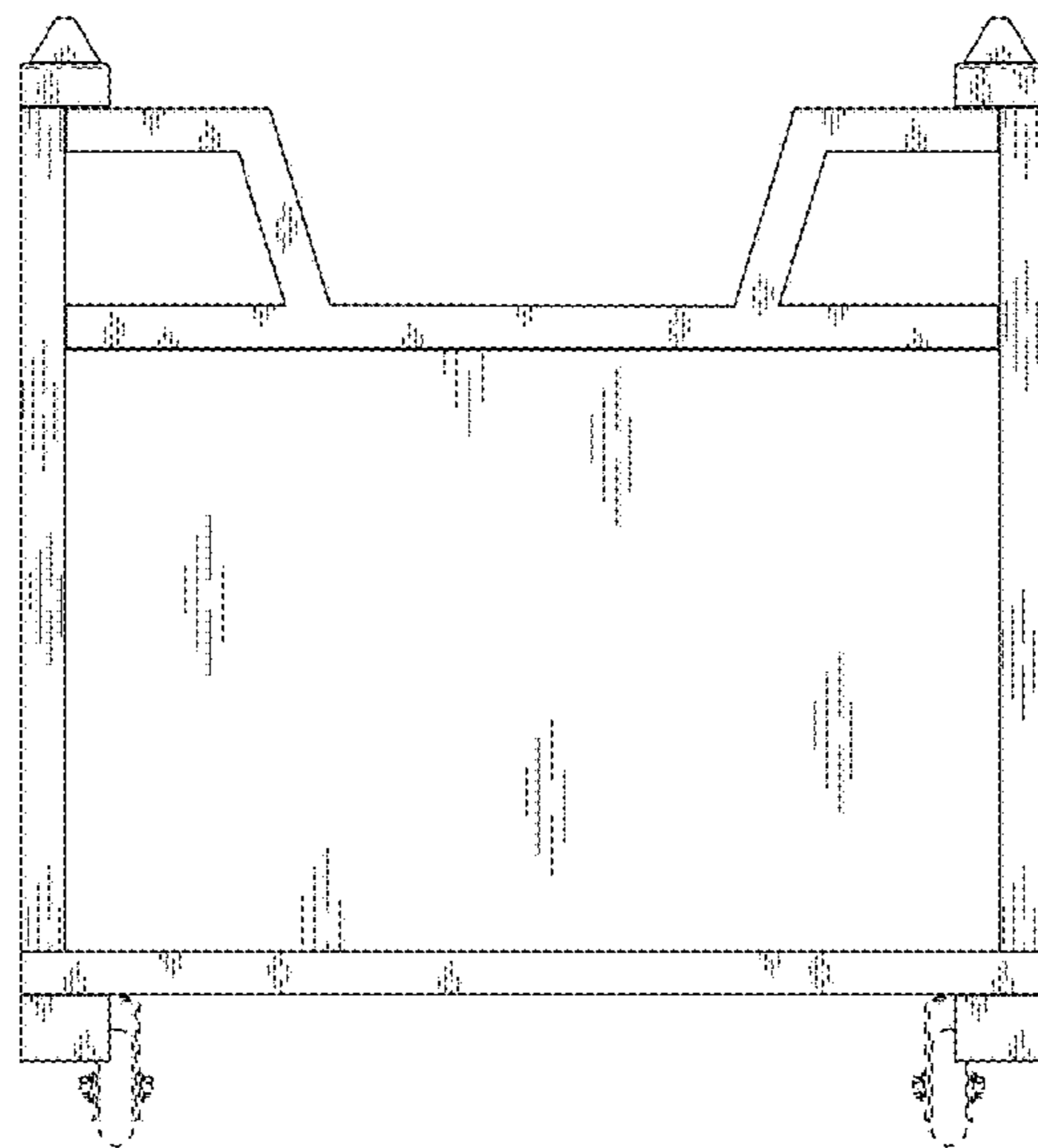


Fig. 3

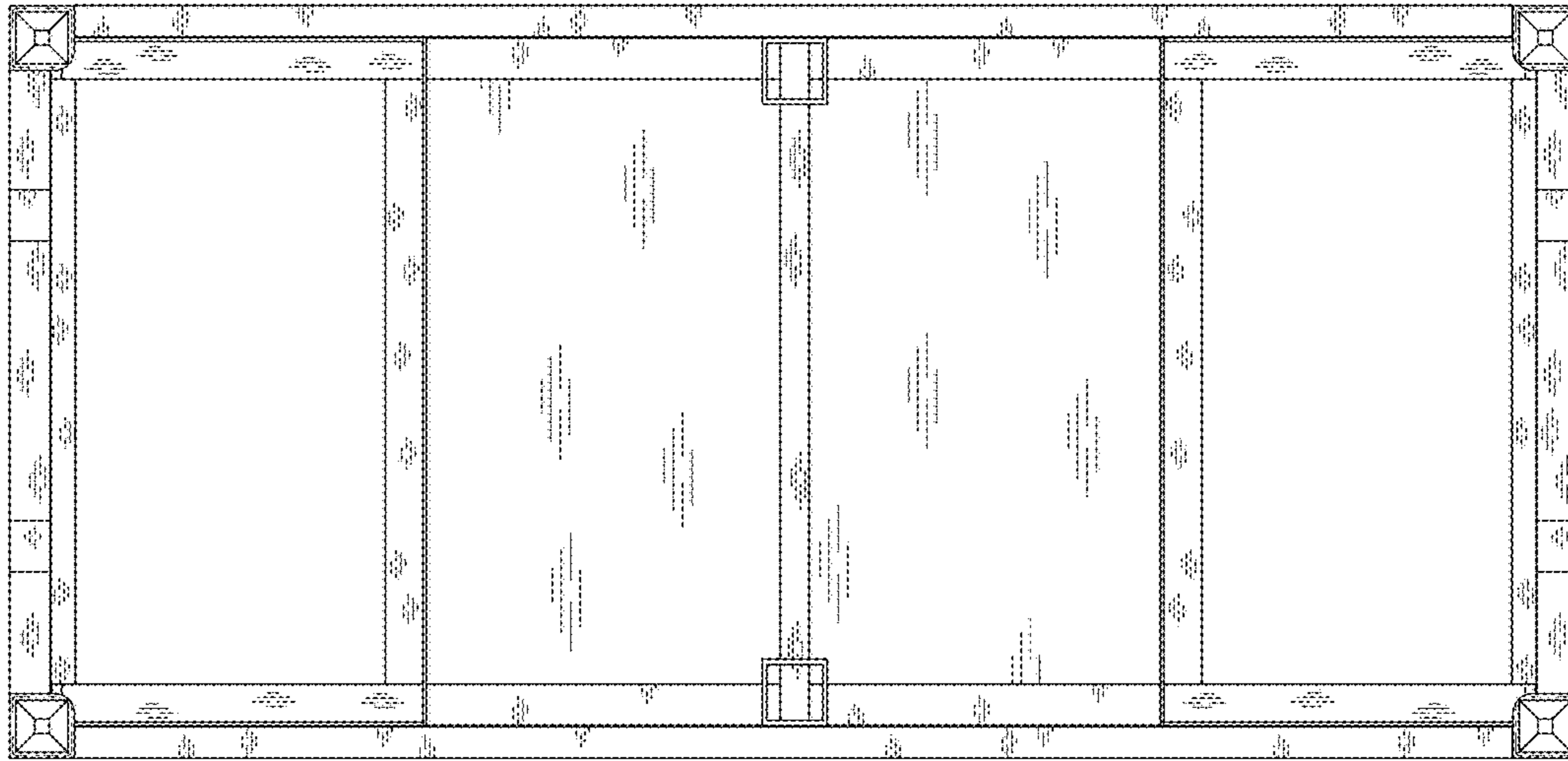


Fig. 4

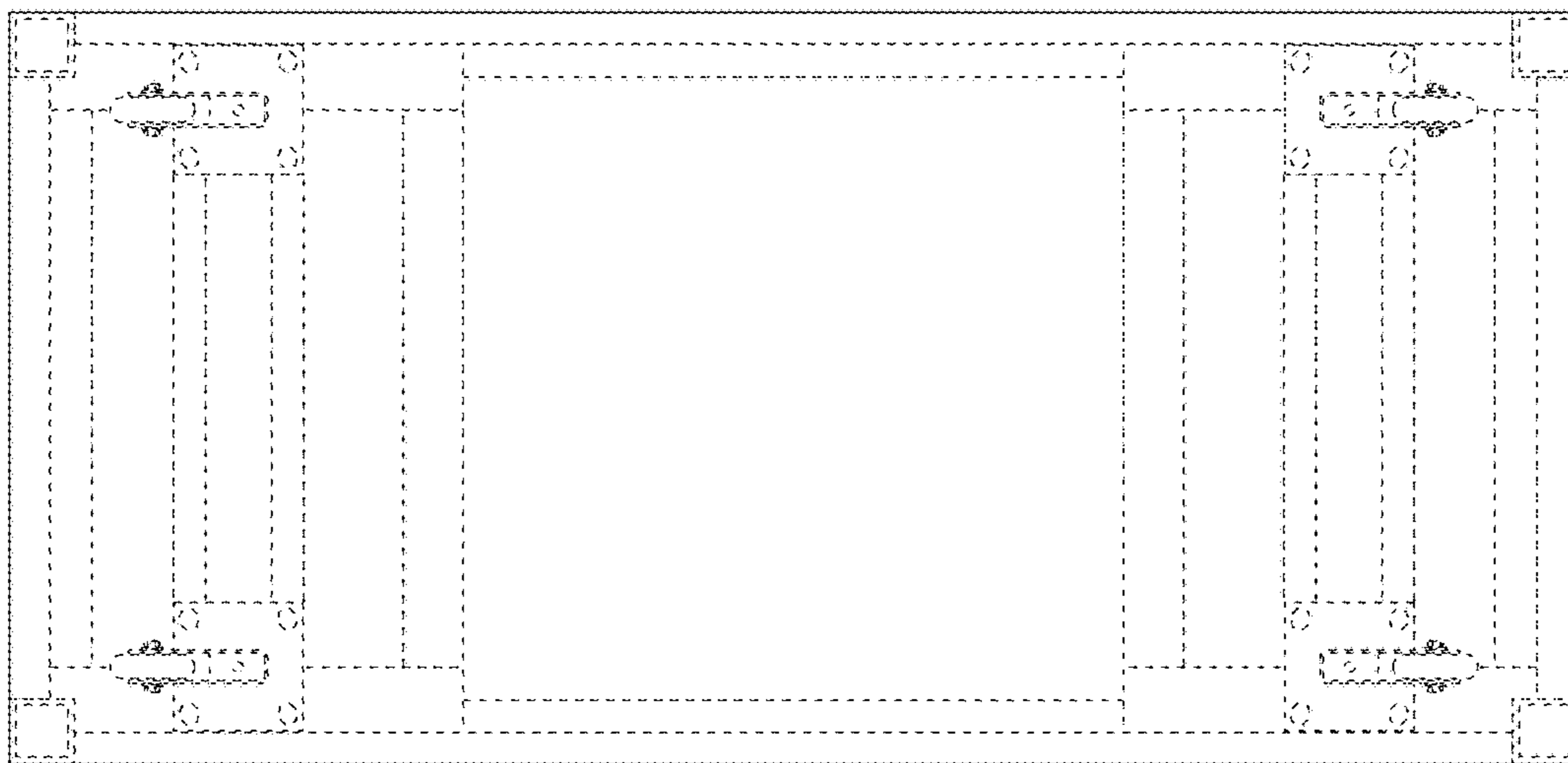


Fig. 5