



US00D858924S

(12) **United States Design Patent** (10) **Patent No.:** **US D858,924 S**
Smyth (45) **Date of Patent:** **** Sep. 3, 2019**

(54) **WASTEBASKET WITH HIDDEN STORAGE COMPARTMENT**

(71) Applicant: **Christina Smyth**, New York, NY (US)

(72) Inventor: **Christina Smyth**, New York, NY (US)

(**) Term: **15 Years**

(21) Appl. No.: **29/639,706**

(22) Filed: **Mar. 8, 2018**

(51) **LOC (12) Cl.** **09-09**

(52) **U.S. Cl.**
USPC **D34/9**

(58) **Field of Classification Search**
USPC D23/202, 203, 207; D34/1, 2, 3, 4, 5, 6, D34/7, 8, 9, 10, 11, 39; 220/252, 62.13, 220/484, 569, 4.04, 703, 737, 748, 908, 220/908.1, 908.2, 909, 495.08, 211, 262, 220/263, 212; D9/737, 738, 770, 772, D9/777, 778, 781, 783
CPC B65F 1/0006; B65F 1/163; B65F 1/1607; B65F 1/02; B65F 1/1421; B65D 43/262

See application file for complete search history.

(56) **References Cited**

U.S. PATENT DOCUMENTS

2,079,052	A *	5/1937	Tamini	B65D 45/22 220/262
5,350,079	A *	9/1994	Larson	B65F 1/163 220/264
D446,619	S	8/2001	Howard et al.		
6,311,859	B1 *	11/2001	Haas	B65F 1/141 220/4.22
6,386,386	B1	5/2002	George		
D476,457	S	6/2003	Verbeek		
D489,857	S *	5/2004	Yang	D34/9
D491,706	S *	6/2004	Yang	D34/9

(Continued)

FOREIGN PATENT DOCUMENTS

CN	203402559	U	1/2014
CN	103771059	A	5/2014
KR	101010853	B1	1/2011

OTHER PUBLICATIONS

Homedepot, "Oscar Round 8 Gal . . . Open Trash Can . . .", Mar. 21, 2019. <https://www.homedepot.com/p/happimess-Oscar-Round-8-Gal-White-Black-Step-Open-Trash-Can-with-Free-Mini-Trash-Can-HPM1003A/305266019>. Shown on p. 1. (Year: 2019).*

Primary Examiner — Cynthia Ramirez

Assistant Examiner — Michael A Maharajh

(74) *Attorney, Agent, or Firm* — Weber Rosselli & Cannon LLP

(57) **CLAIM**

The ornamental design for a wastebasket with hidden storage compartment, as shown and described.

DESCRIPTION

FIG. 1 is a front, perspective view of a wastebasket with hidden storage compartment in a closed position showing my new design;

FIG. 2 is a front side elevation view thereof;

FIG. 3 is a back elevation view thereof;

FIG. 4 is a right side elevation view thereof;

FIG. 5 is a left side elevation view thereof;

FIG. 6 is a top plan view thereof;

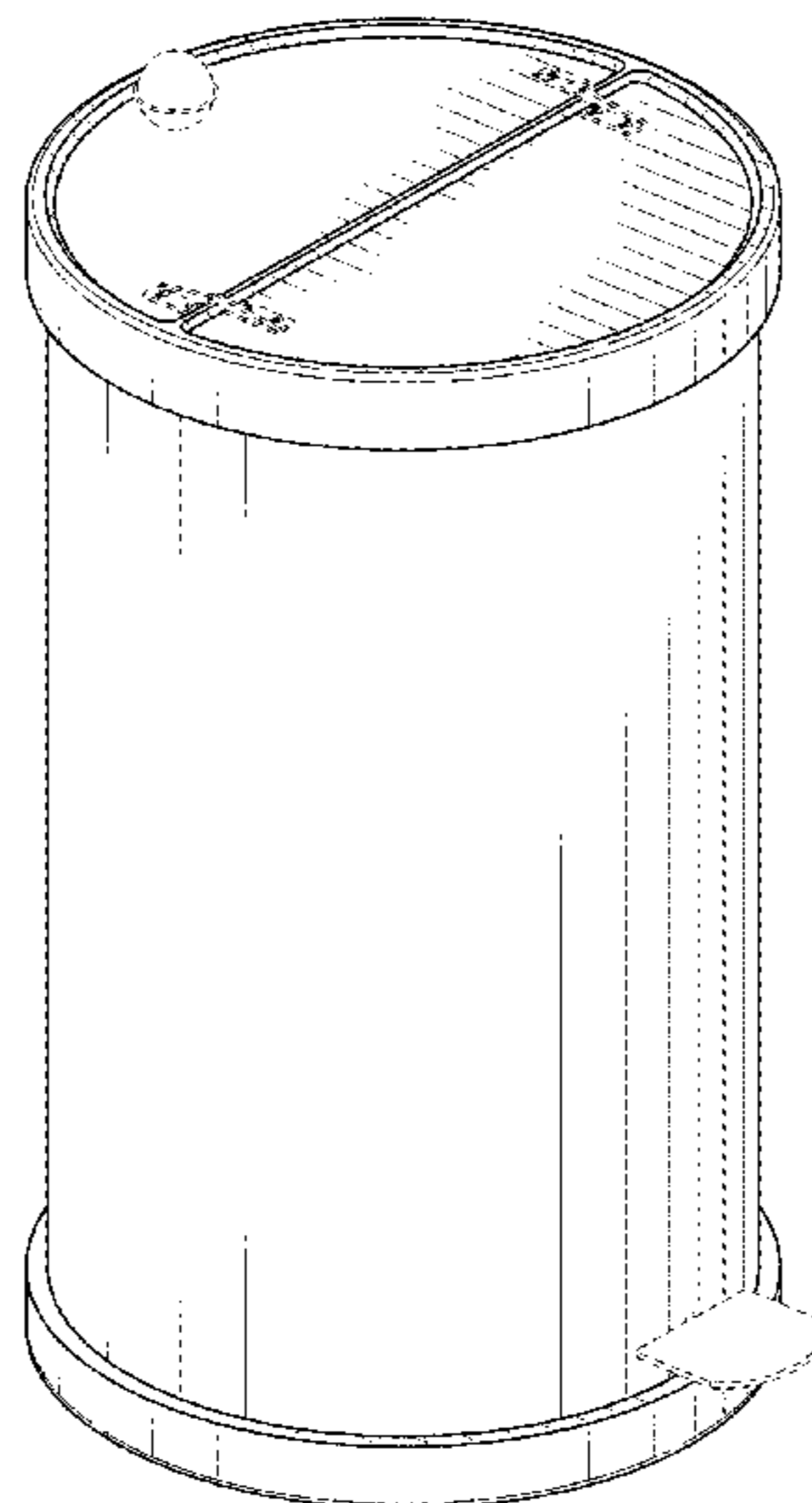
FIG. 7 is a bottom plan view thereof;

FIG. 8 is a front, perspective view of the wastebasket with hidden storage compartment in an open position thereof; and,

FIG. 9 is a front perspective exploded view of the wastebasket with hidden storage compartment in an open position thereof.

The broken lines shown in the figures are for the purpose of illustrating portions of the wastebasket with hidden storage compartment which form no part of the claimed design.

1 Claim, 6 Drawing Sheets



(56)

References Cited

U.S. PATENT DOCUMENTS

D493,930 S * 8/2004 Wang D34/9
 D503,021 S 3/2005 Yang et al.
 D503,502 S * 3/2005 Lai D34/9
 D517,761 S * 3/2006 Yang D34/7
 D517,766 S * 3/2006 Lin D34/9
 D522,204 S * 5/2006 Lin D34/9
 D526,103 S * 8/2006 Sangteerasintop D34/9
 D530,874 S 10/2006 Lin
 D540,000 S * 4/2007 Mandel D34/7
 D540,995 S * 4/2007 Haupt D34/10
 D544,170 S * 6/2007 Lin D34/9
 D555,319 S * 11/2007 Lin D34/9
 D568,572 S * 5/2008 Yang D34/10
 D579,618 S 10/2008 Wang et al.
 D582,121 S * 12/2008 Wang D34/7
 D623,819 S * 9/2010 Yang D34/9
 D626,713 S * 11/2010 Yang D34/9
 D629,579 S * 12/2010 Lin D34/9
 D632,864 S * 2/2011 Yang D34/9
 D639,009 S * 5/2011 Lin D34/9
 D653,009 S * 1/2012 Larrivee D34/1
 D657,108 S 4/2012 Yang et al.
 D671,290 S * 11/2012 Vanhoof D34/9

D674,571 S * 1/2013 Sakaguchi D34/7
 D716,015 S * 10/2014 van de Leest D34/9
 D719,313 S * 12/2014 Kao D34/7
 8,973,774 B1 * 3/2015 Stravitz B65F 1/14
 220/495.06
 D759,332 S 6/2016 Basmajian et al.
 D762,037 S 7/2016 Chen
 D769,565 S * 10/2016 Chen D34/9
 D769,566 S * 10/2016 Chen D34/9
 D799,137 S * 10/2017 Bowen D34/7
 D803,505 S * 11/2017 Duvigneau D34/9
 D808,103 S * 1/2018 Bowen D34/11
 D825,130 S * 8/2018 Duvigneau D34/9
 D831,291 S * 10/2018 Chenvainu D34/10
 D838,426 S * 1/2019 Chenvainu D34/10
 D840,628 S * 2/2019 Chang D34/9
 D841,924 S * 2/2019 Liao D34/9
 2009/0071959 A1 * 3/2009 Cheung B65F 1/163
 220/263
 2010/0147865 A1 * 6/2010 Yang B65F 1/04
 220/810
 2014/0246432 A1 * 9/2014 Yang B65D 43/262
 220/262
 2018/0127204 A1 * 5/2018 Smyth B65F 1/004

* cited by examiner

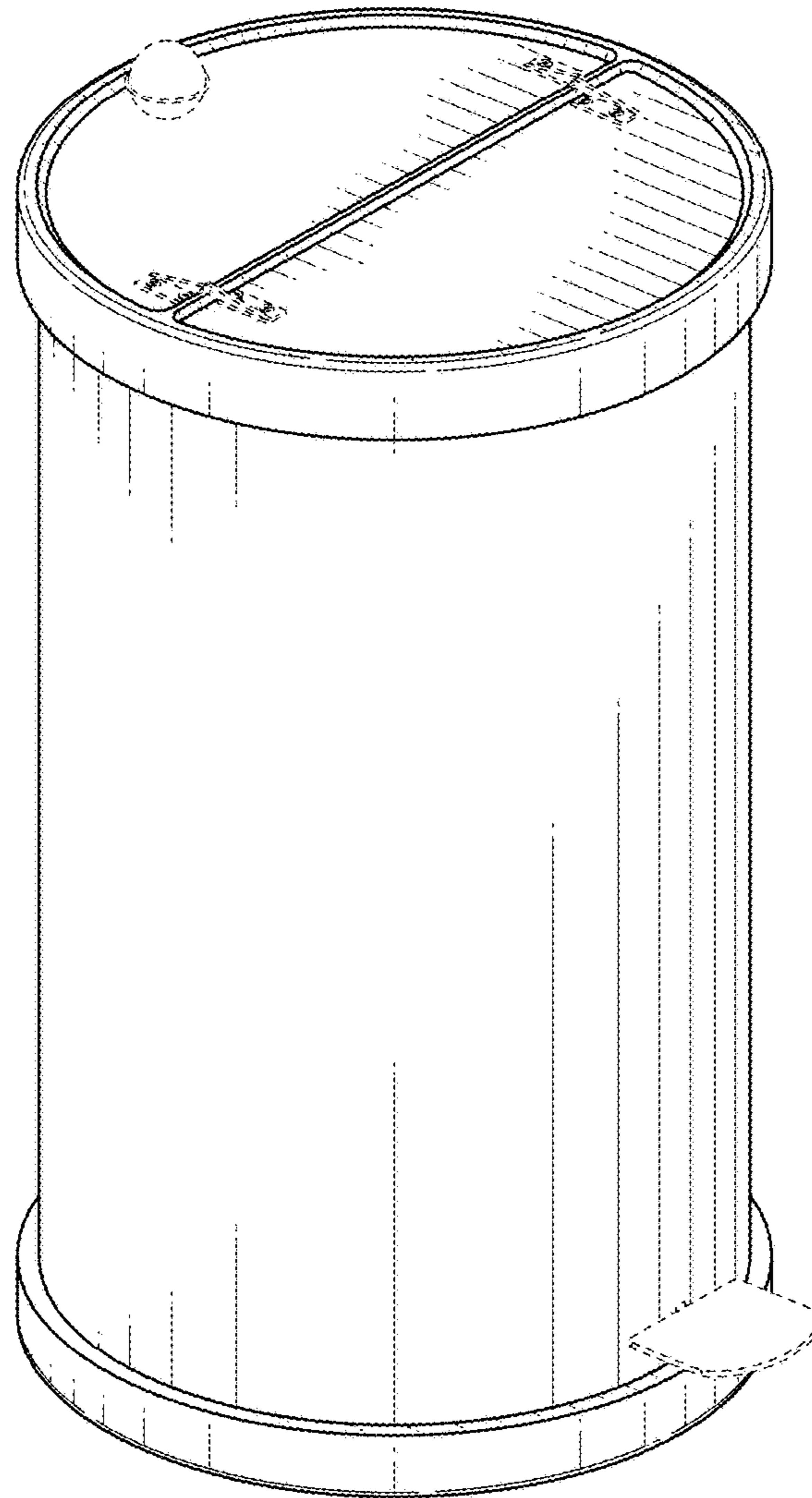


FIG. 1

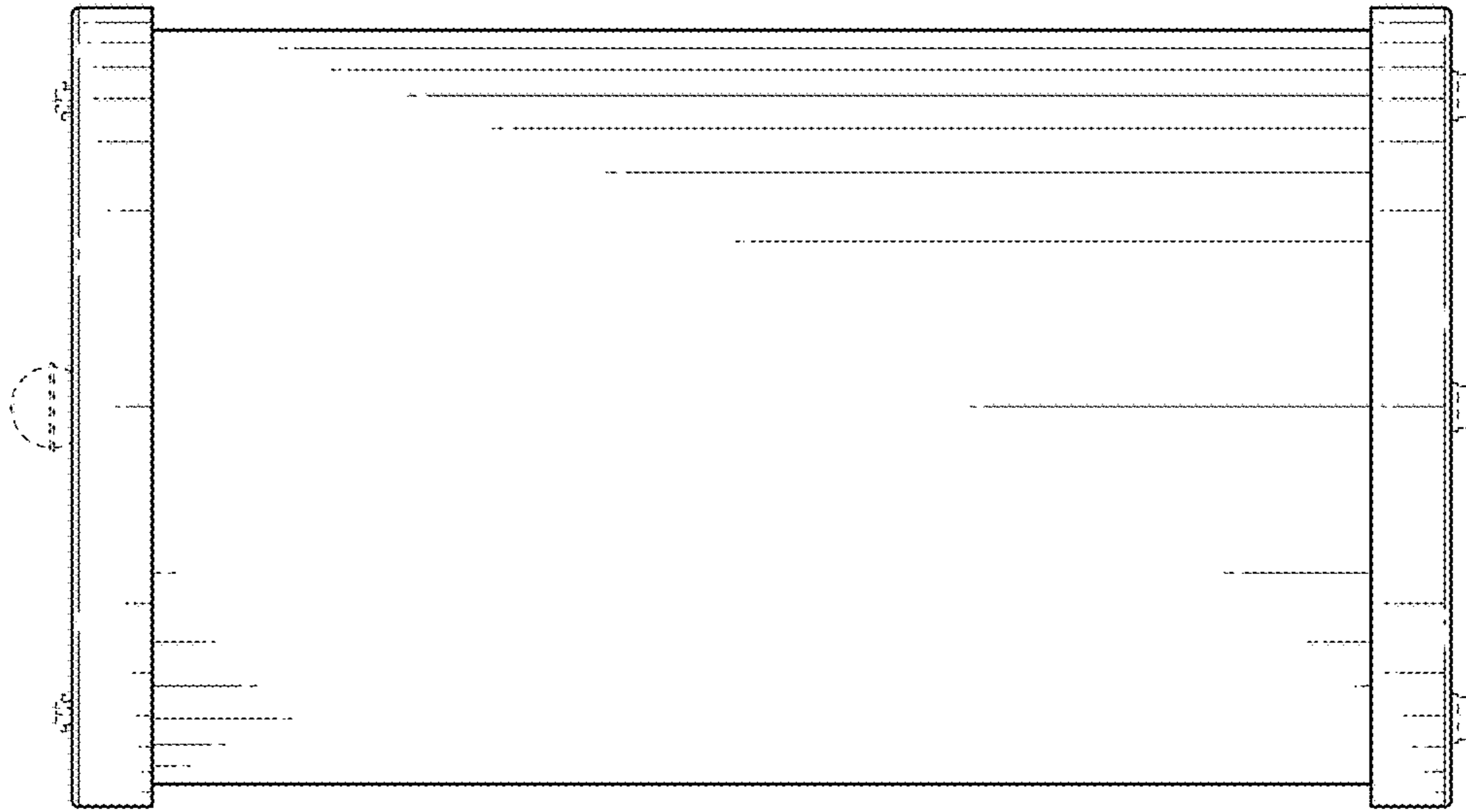


FIG. 3

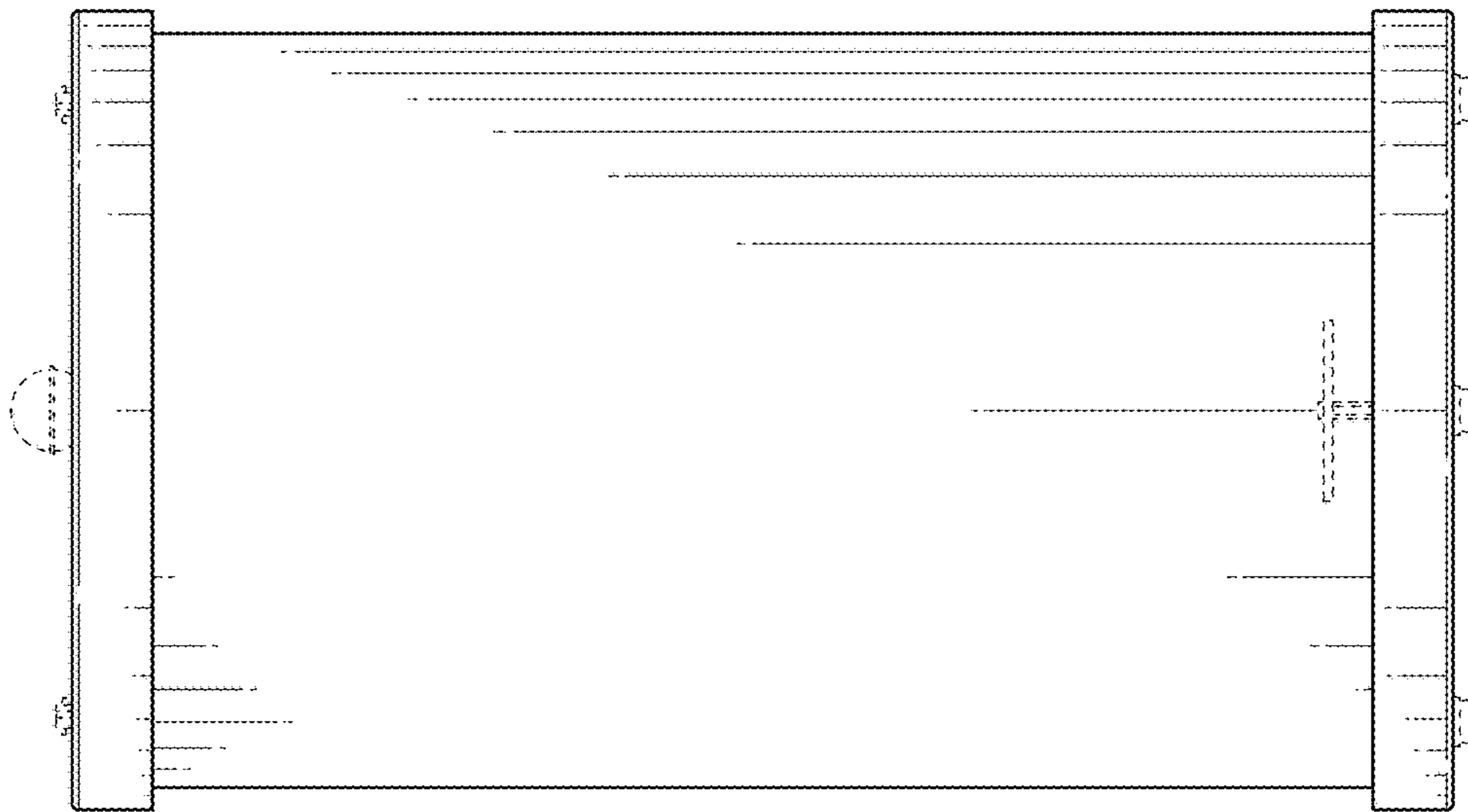


FIG. 2

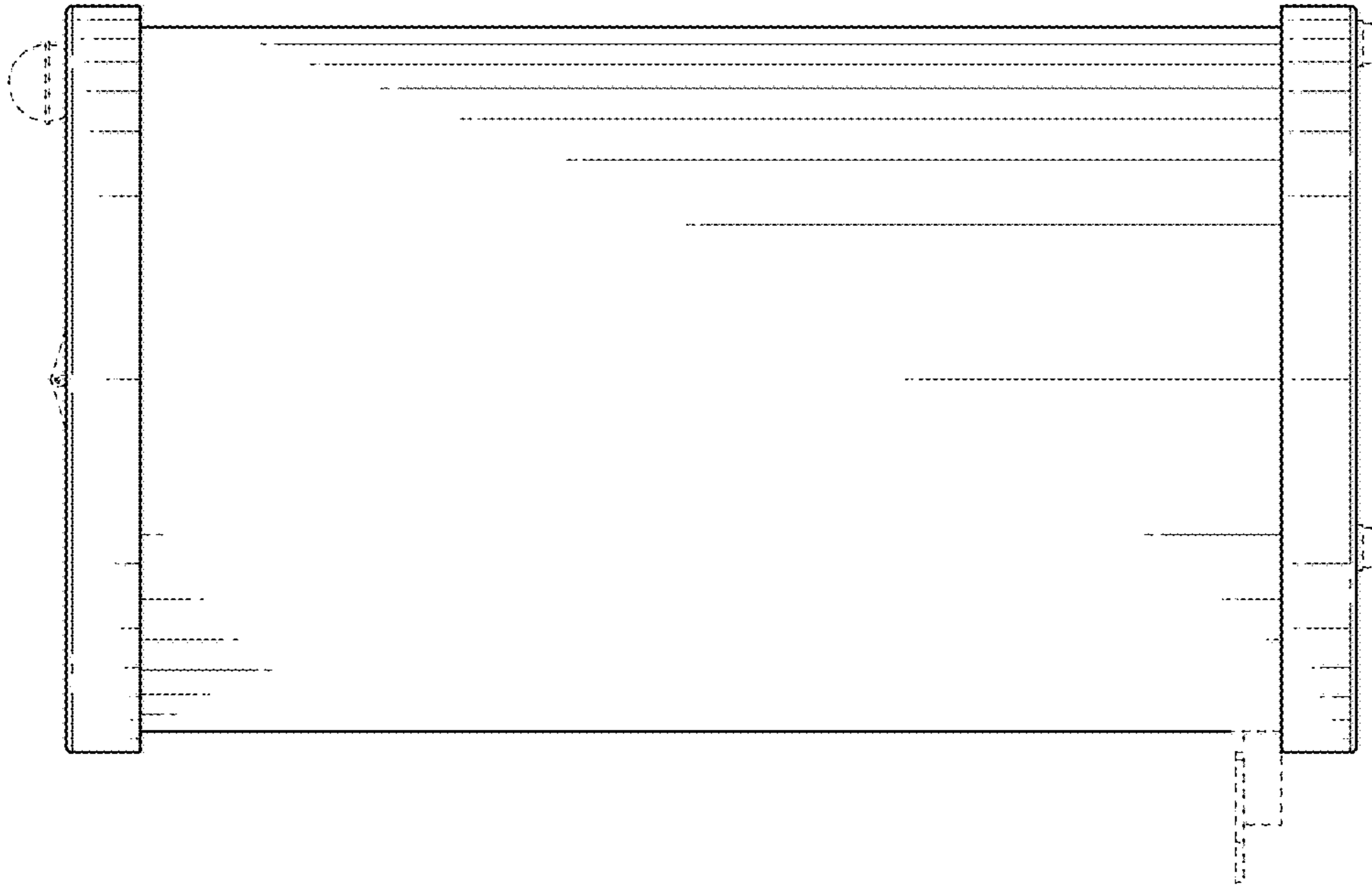


FIG. 5

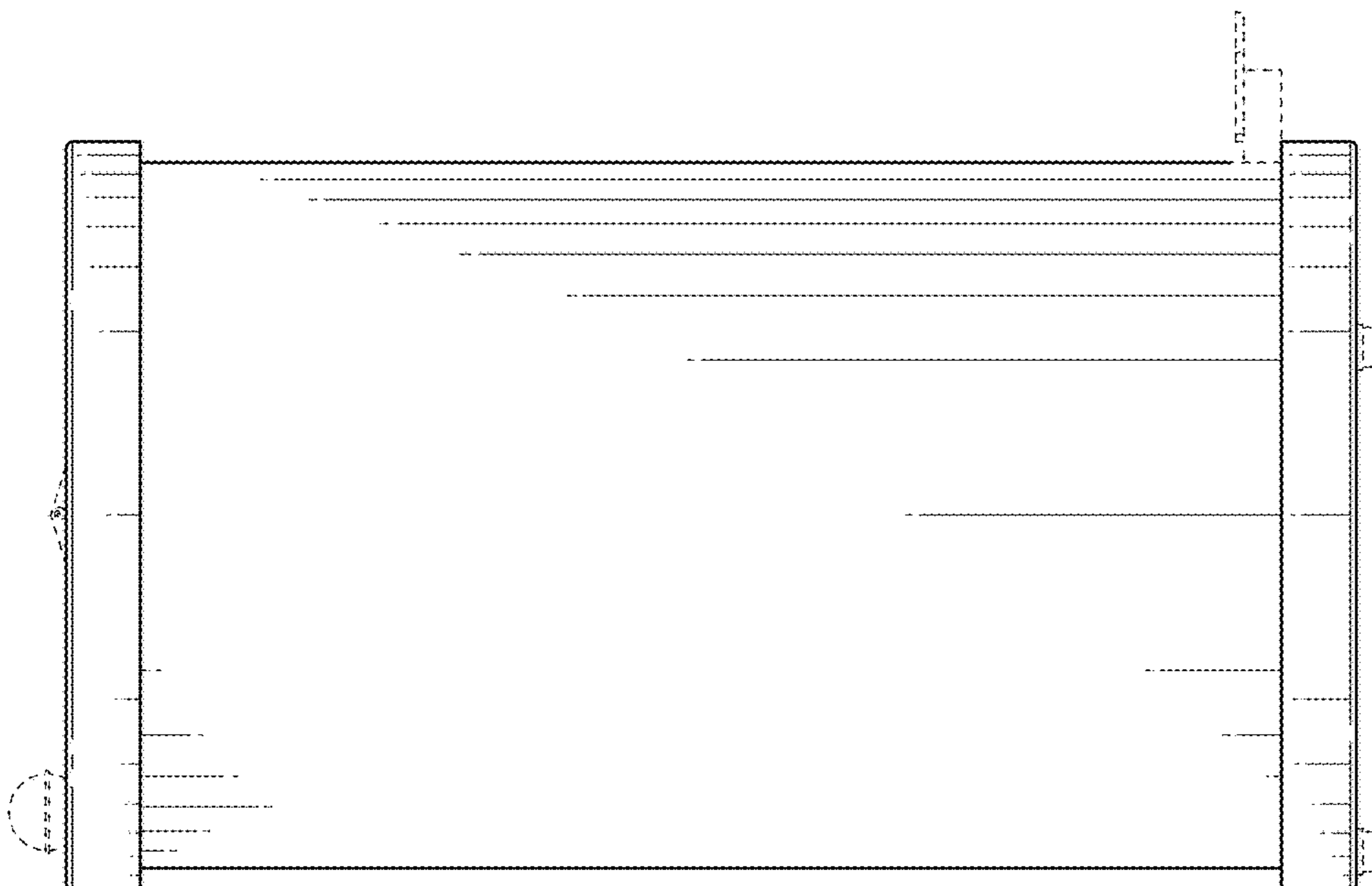


FIG. 4

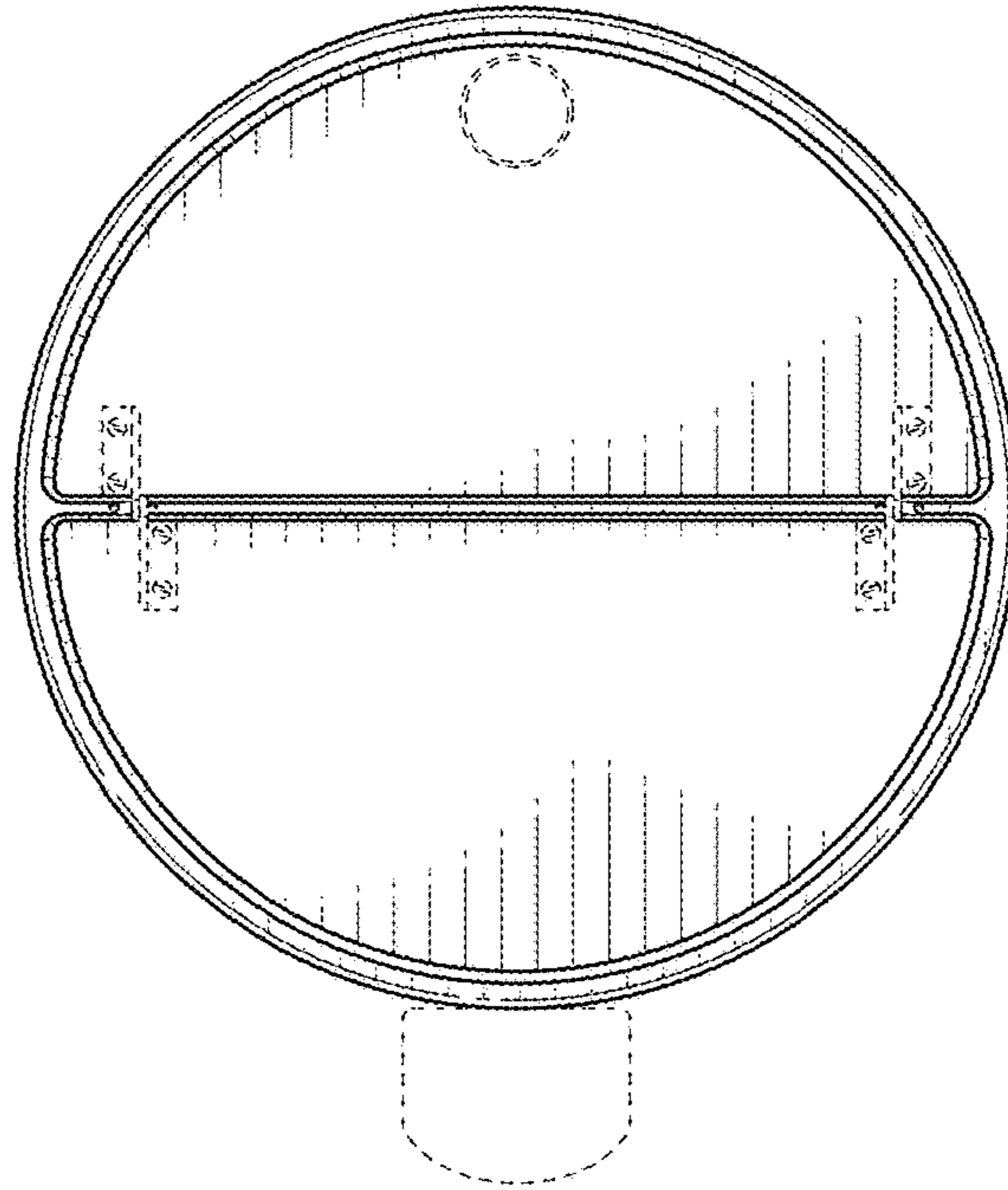


FIG. 6

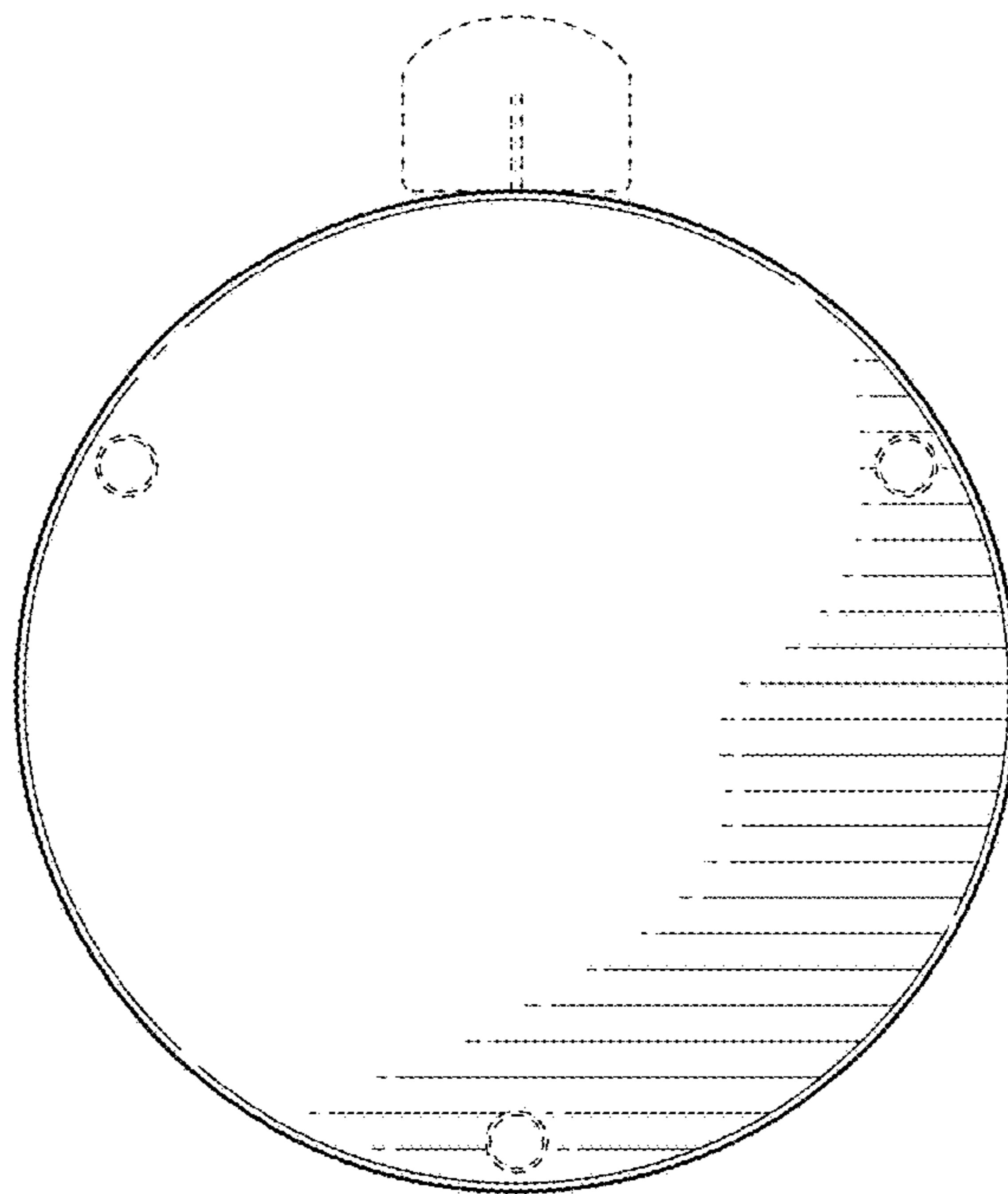


FIG. 7

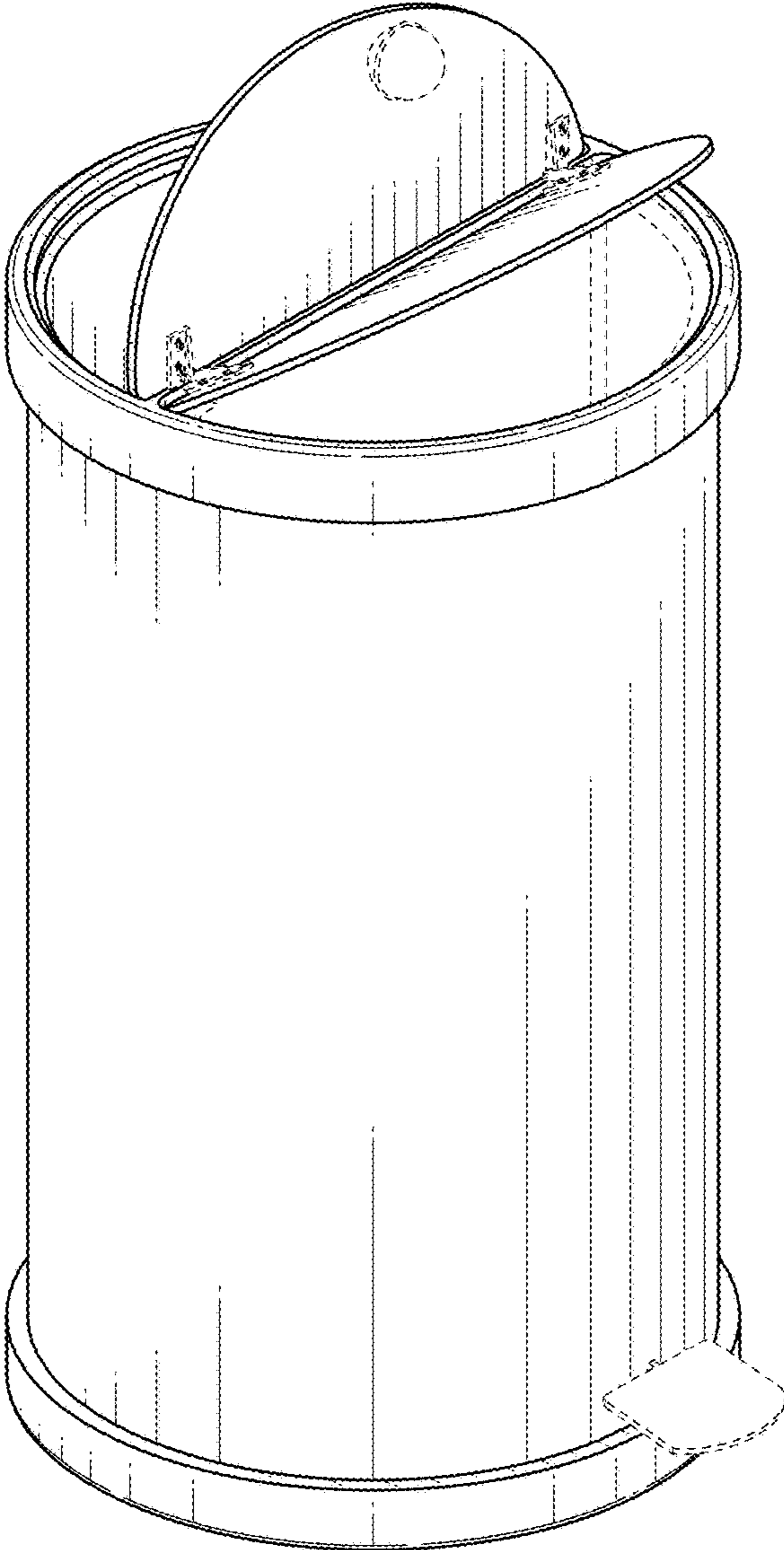


FIG. 8

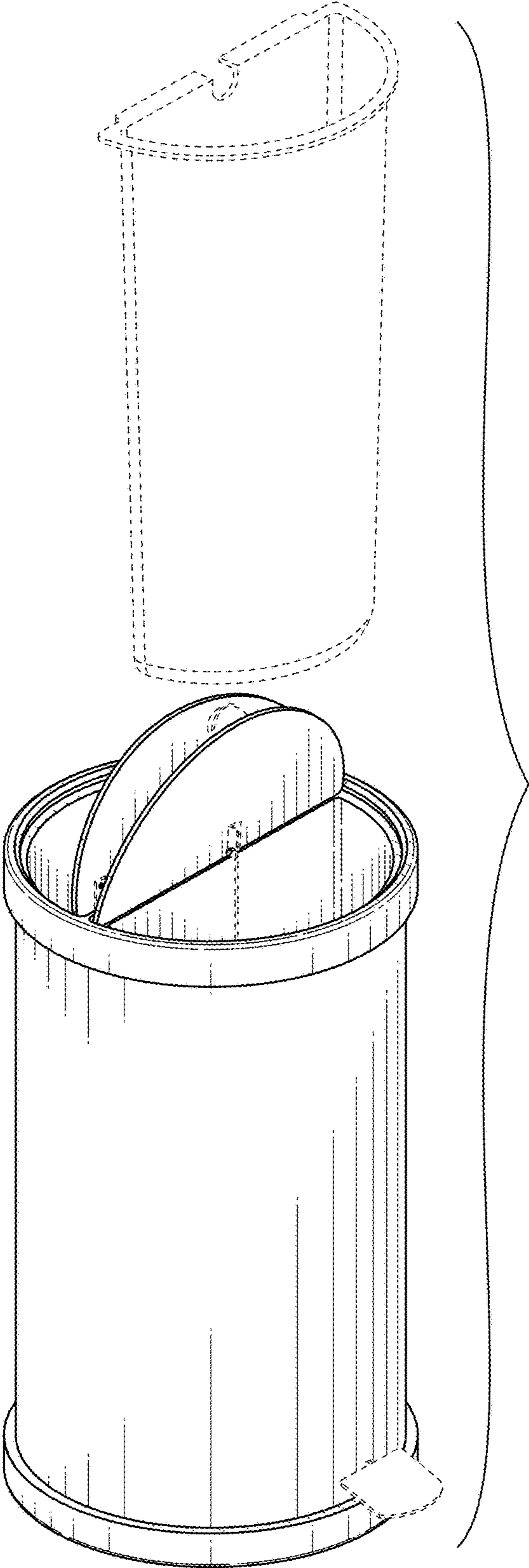


FIG. 9