



US00D858922S

(12) **United States Design Patent**
Dobson

(10) **Patent No.:** **US D858,922 S**
(45) **Date of Patent:** **** Sep. 3, 2019**

(54) **WASTE BIN**

D793,022 S * 7/2017 Liao D34/7
2012/0000911 A1* 1/2012 Wang B65F 1/06
220/495.11

(71) Applicant: **Eco Bin (Aust) Pty Ltd**, Victoria (AU)

* cited by examiner

(72) Inventor: **Nicholas Dobson**, Victoria (AU)

Primary Examiner — Cynthia Ramirez

(73) Assignee: **ECO BIN (AUST) PTY LTD** (AU)

(74) *Attorney, Agent, or Firm* — Onello & Mello LLP

(**) Term: **15 Years**

(57) **CLAIM**

(21) Appl. No.: **29/622,580**

The ornamental design for a waste bin, as shown and described.

(22) Filed: **Oct. 18, 2017**

DESCRIPTION

(30) **Foreign Application Priority Data**

Apr. 21, 2017 (AU) 201712339

(51) **LOC (12) Cl.** **09-09**

(52) **U.S. Cl.**
USPC **D34/7**

(58) **Field of Classification Search**

USPC D34/1, 7, 9
CPC .. B65F 1/06; B65F 1/08; B65F 1/1607; B65F
1/1615; B65F 1/163; B65F 1/062; B65F
1/068

See application file for complete search history.

FIG. 1 is a top perspective view of a waste bin in accordance with the present invention;

FIG. 2 is a top view of the waste bin of FIG. 1;

FIG. 3 is a left side view of the waste bin of FIG. 1;

FIG. 4 is a right side view of the waste bin of FIG. 1;

FIG. 5 is a rear view of the waste bin of FIG. 1;

FIG. 6 is a front view of the waste bin of FIG. 1;

FIG. 7 is a bottom view of the waste bin of FIG. 1;

FIG. 8 is a bottom perspective view of the waste bin of FIG. 1;

FIG. 9 is a top isometric view of the waste bin of FIG. 1; and, FIG. 10 is a bottom isometric view of the waste bin of FIG. 1.

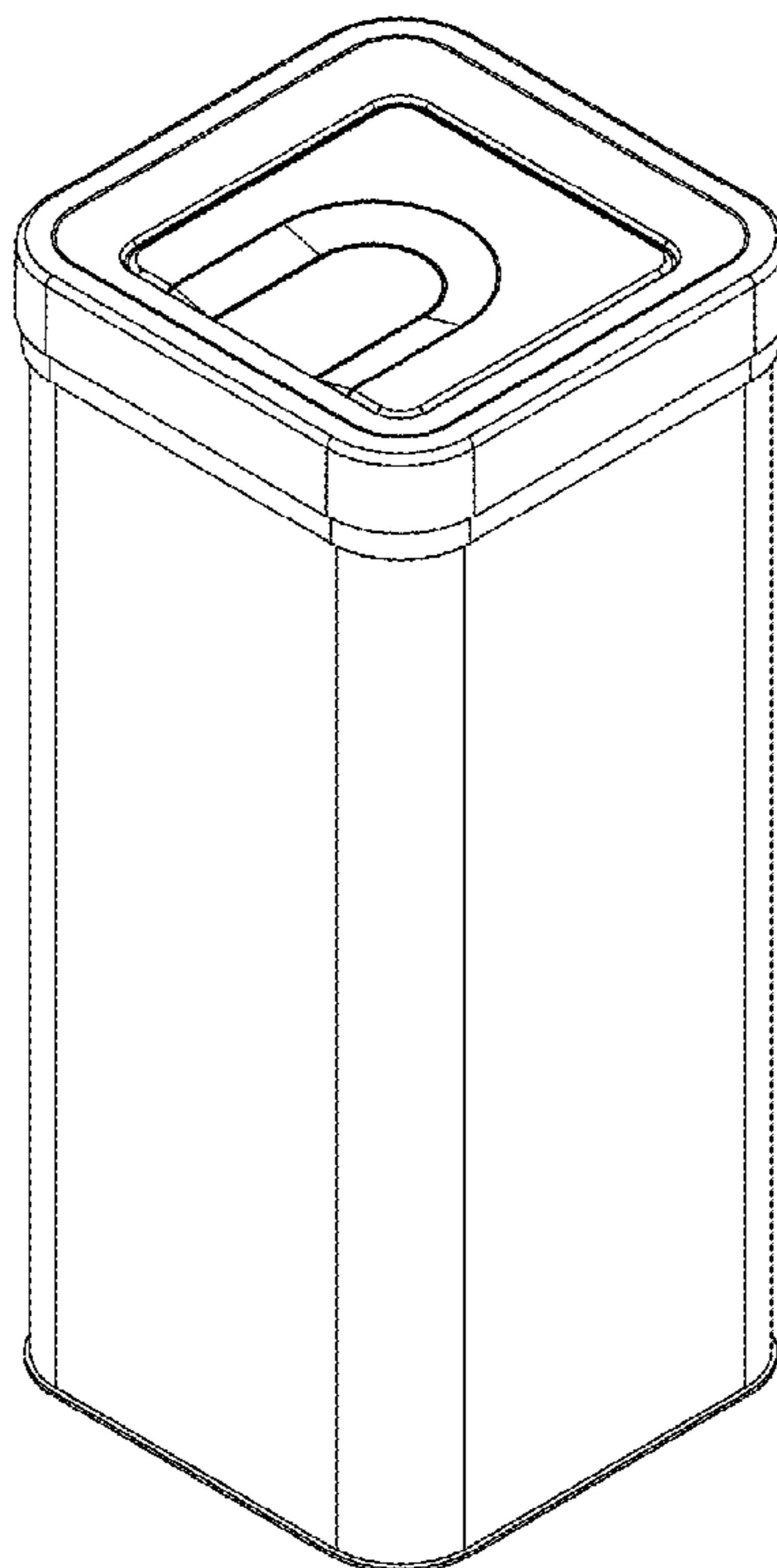
In the drawings, the broken lines illustrate environment and form no part of the claimed design.

(56) **References Cited**

U.S. PATENT DOCUMENTS

D772,516 S * 11/2016 Burt D11/144

1 Claim, 10 Drawing Sheets



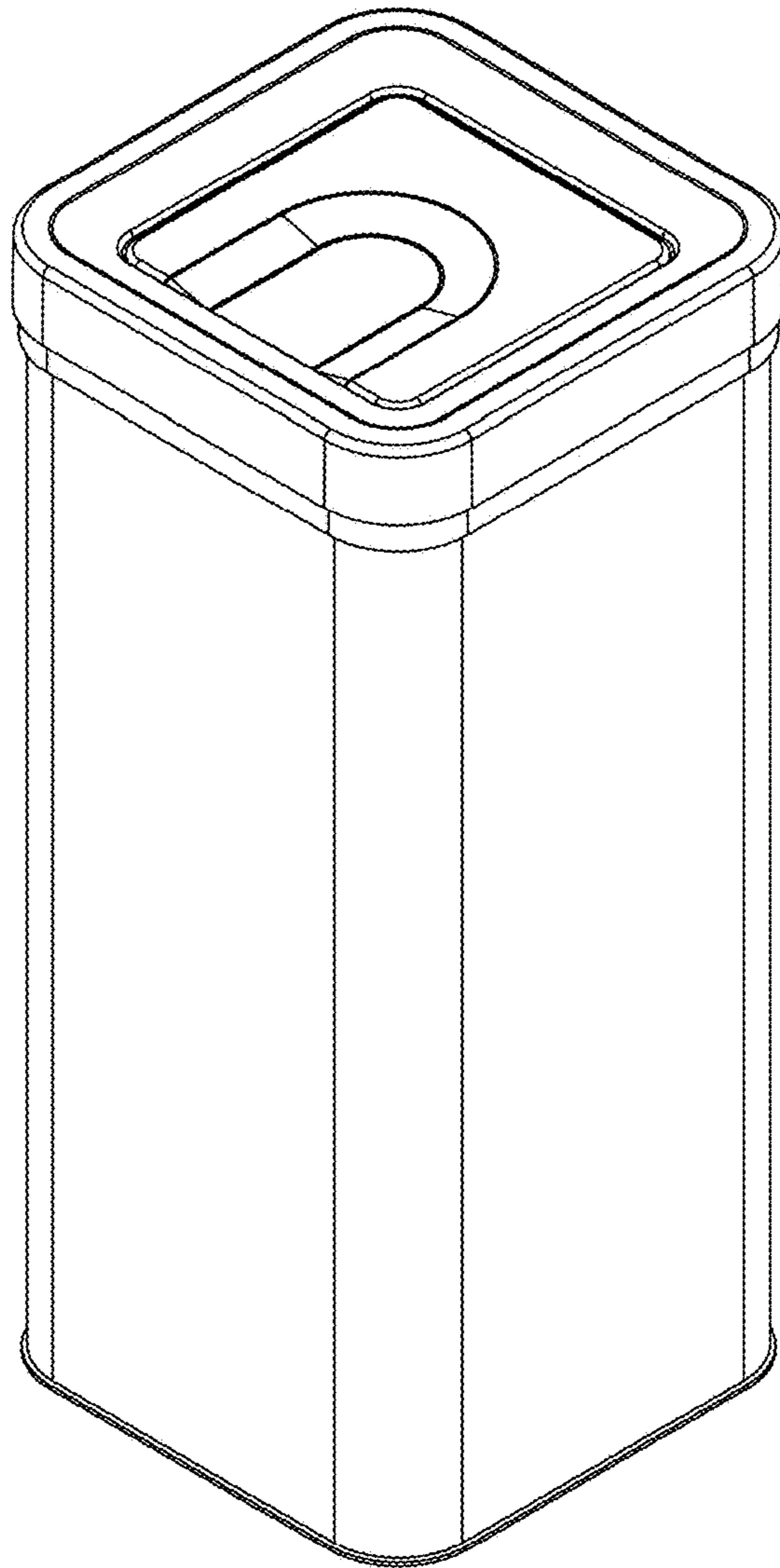


FIG. 1

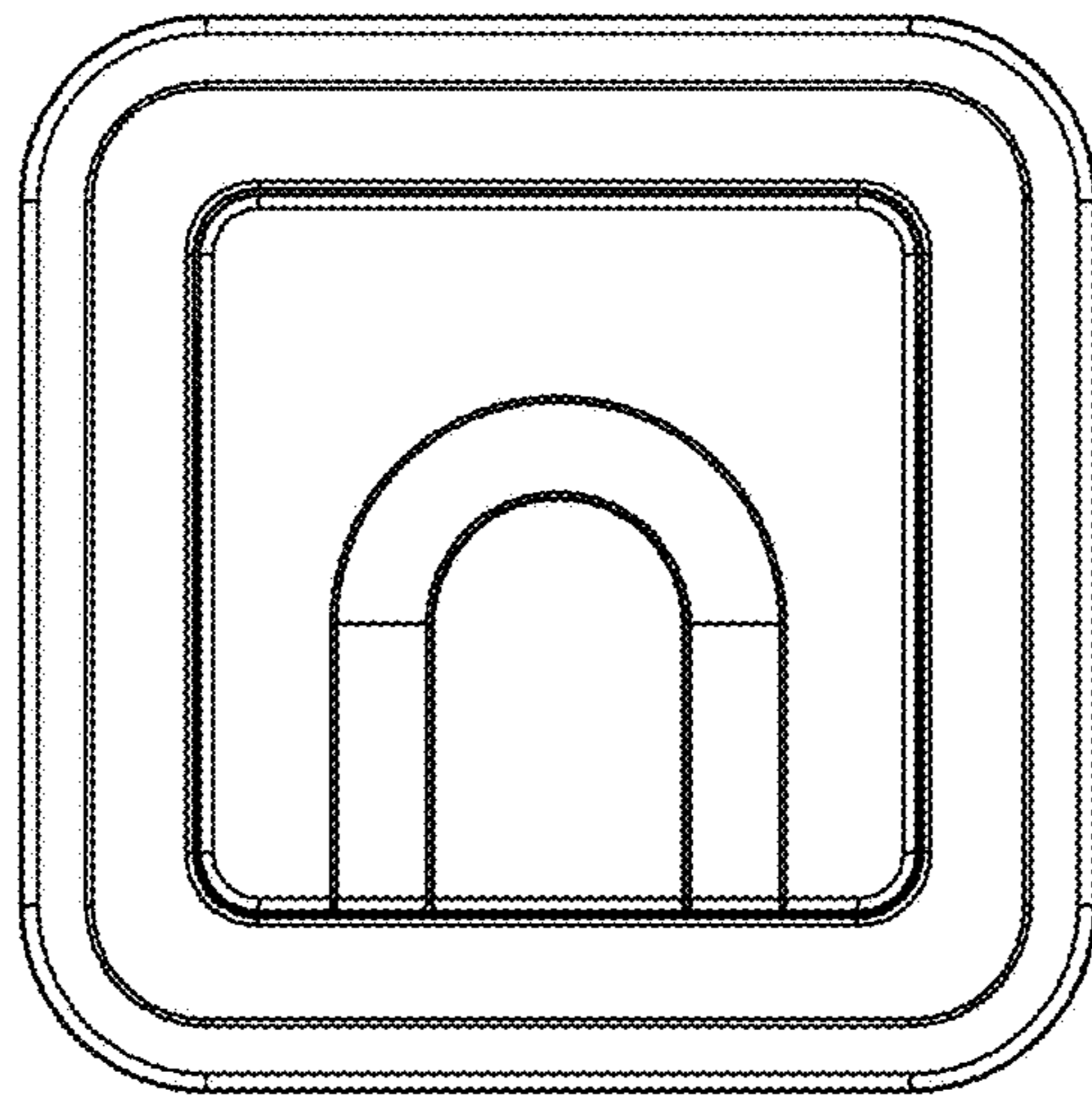


FIG. 2

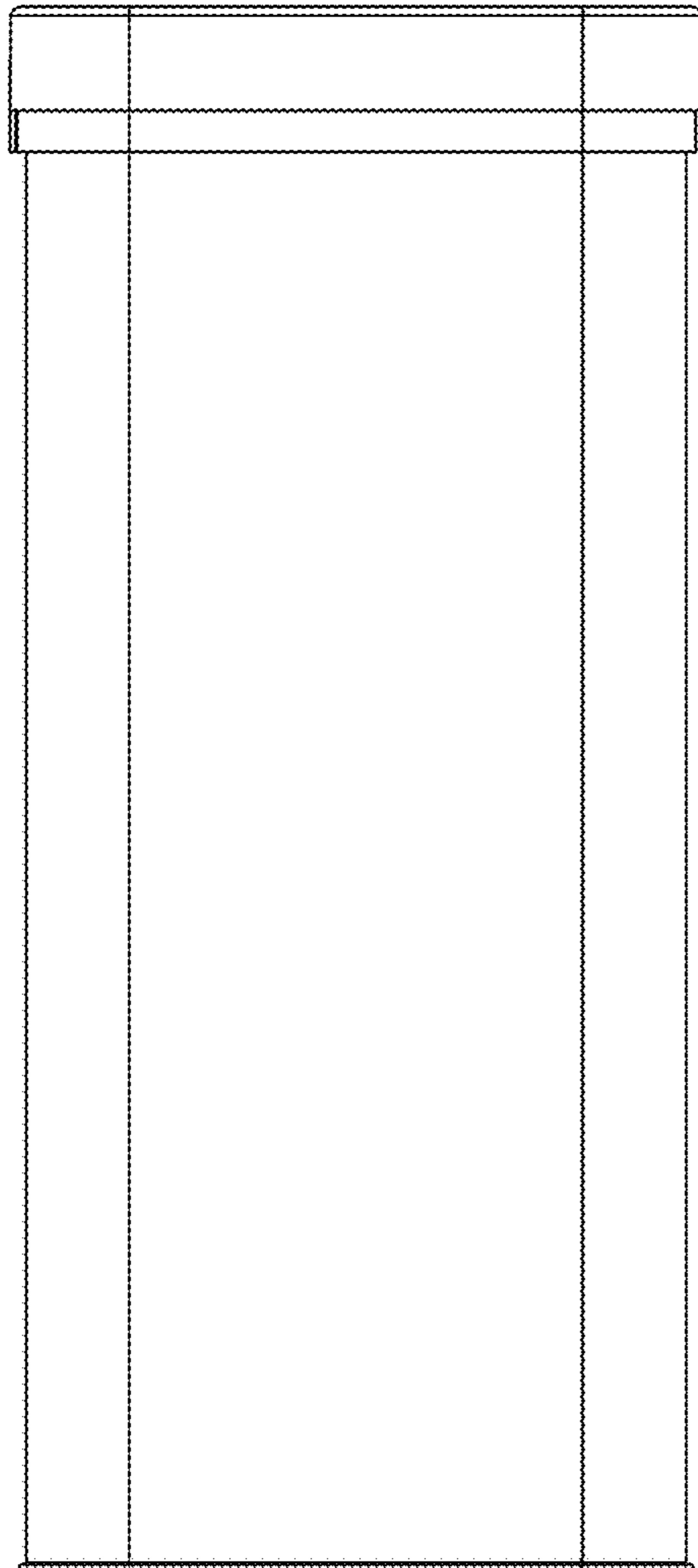


FIG. 3

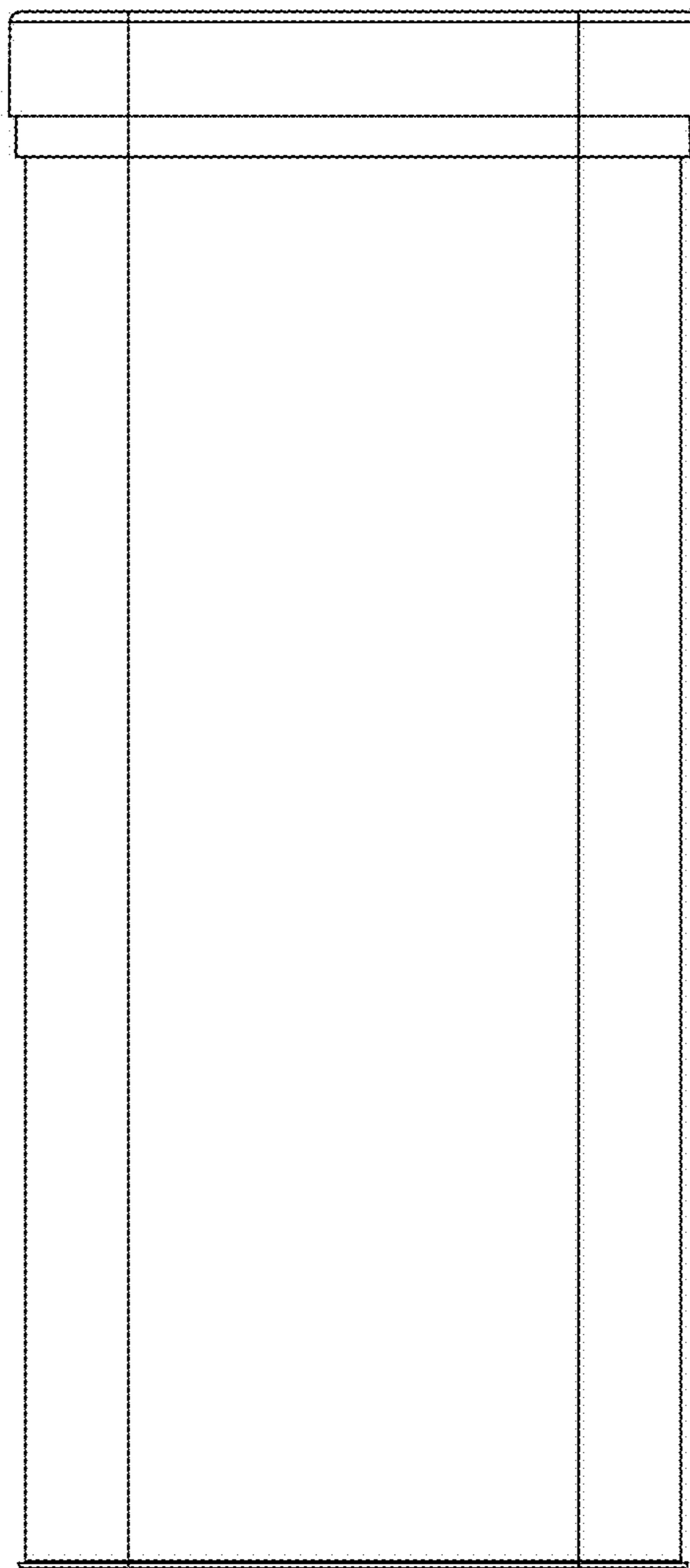


FIG. 4

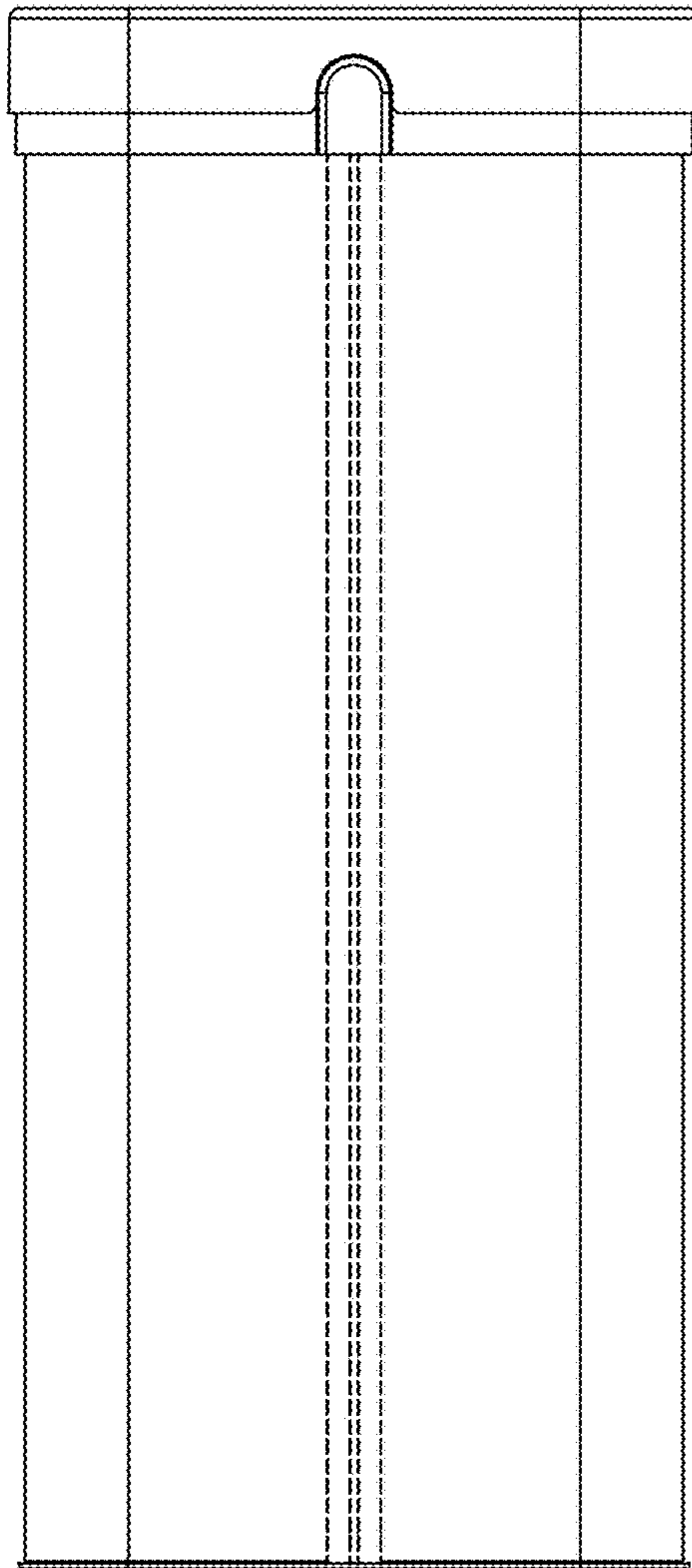


FIG. 5

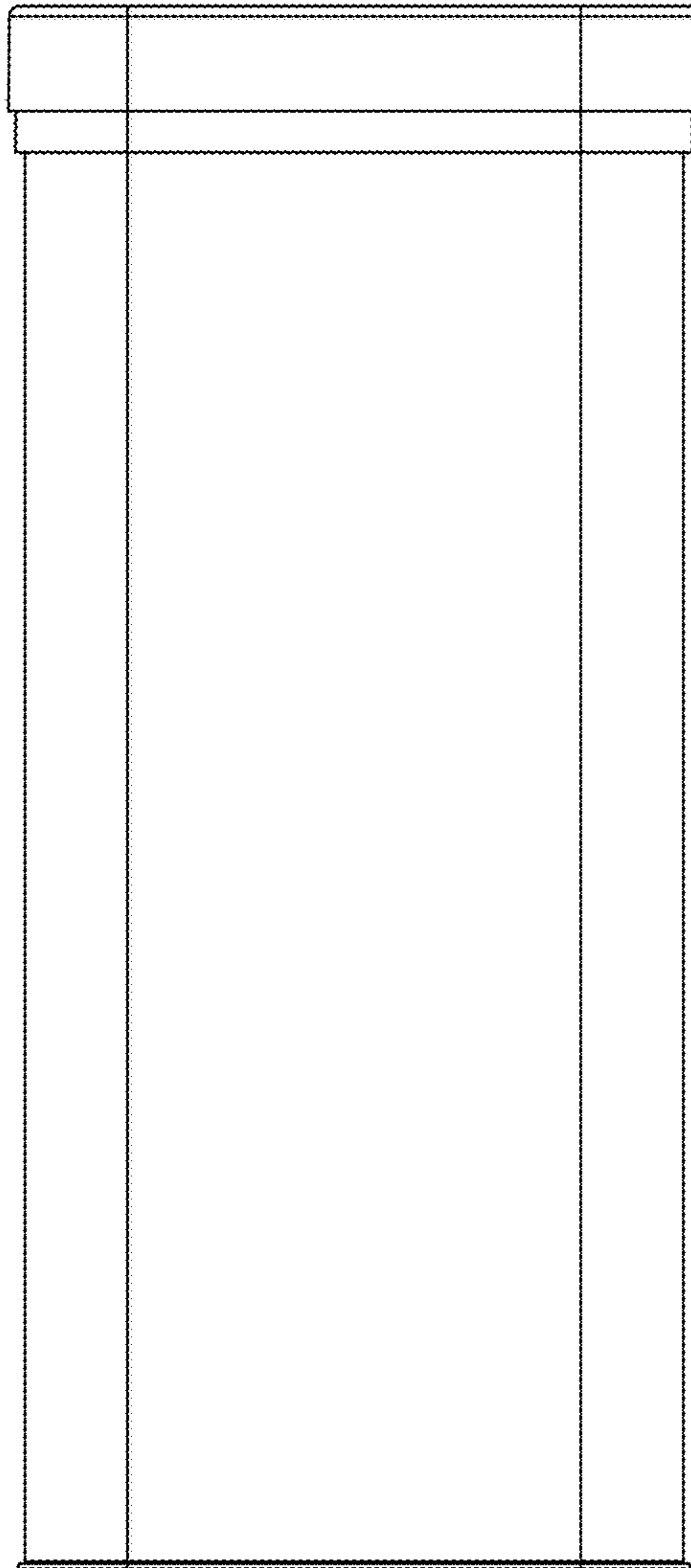


FIG. 6

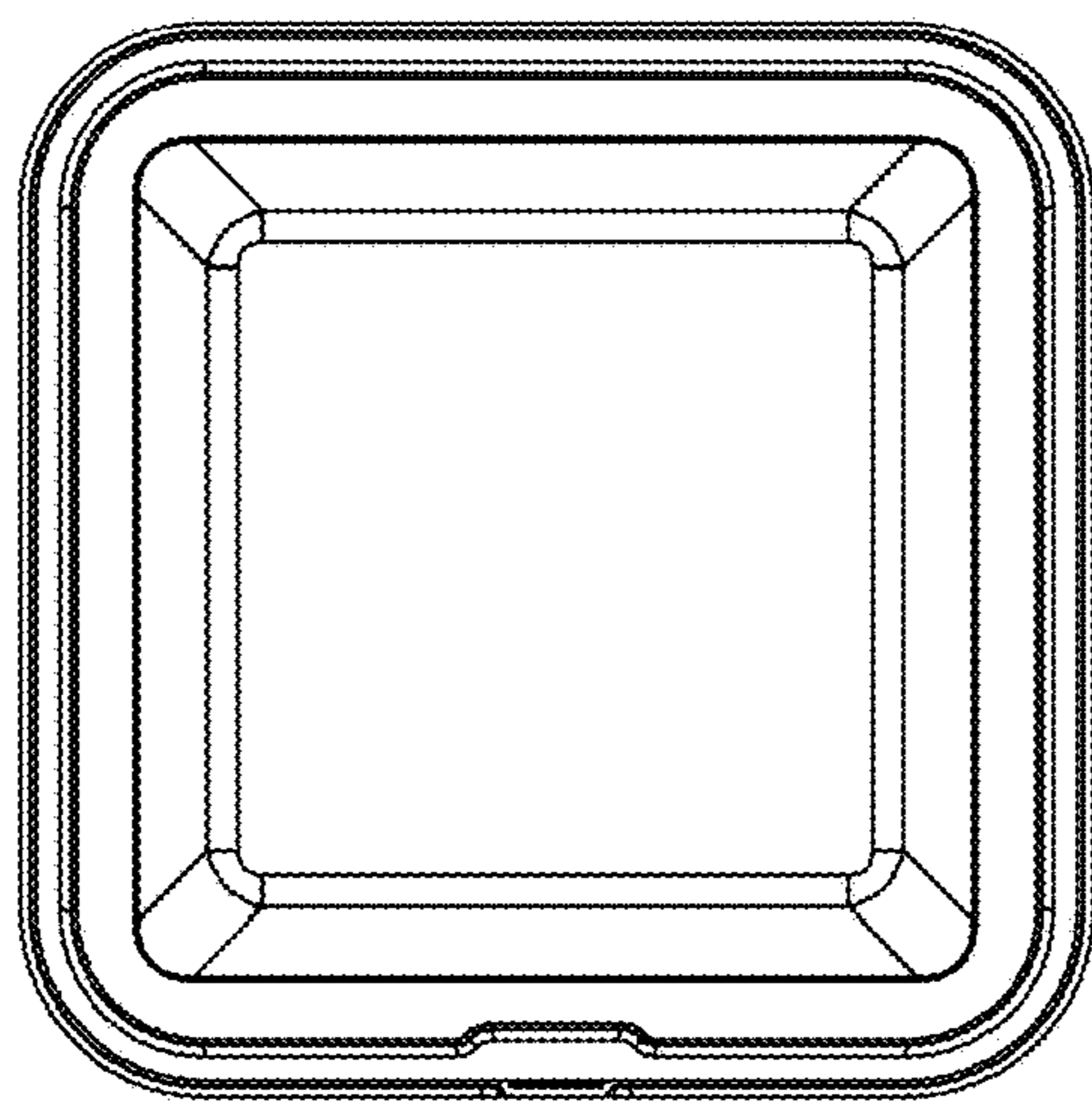


FIG. 7

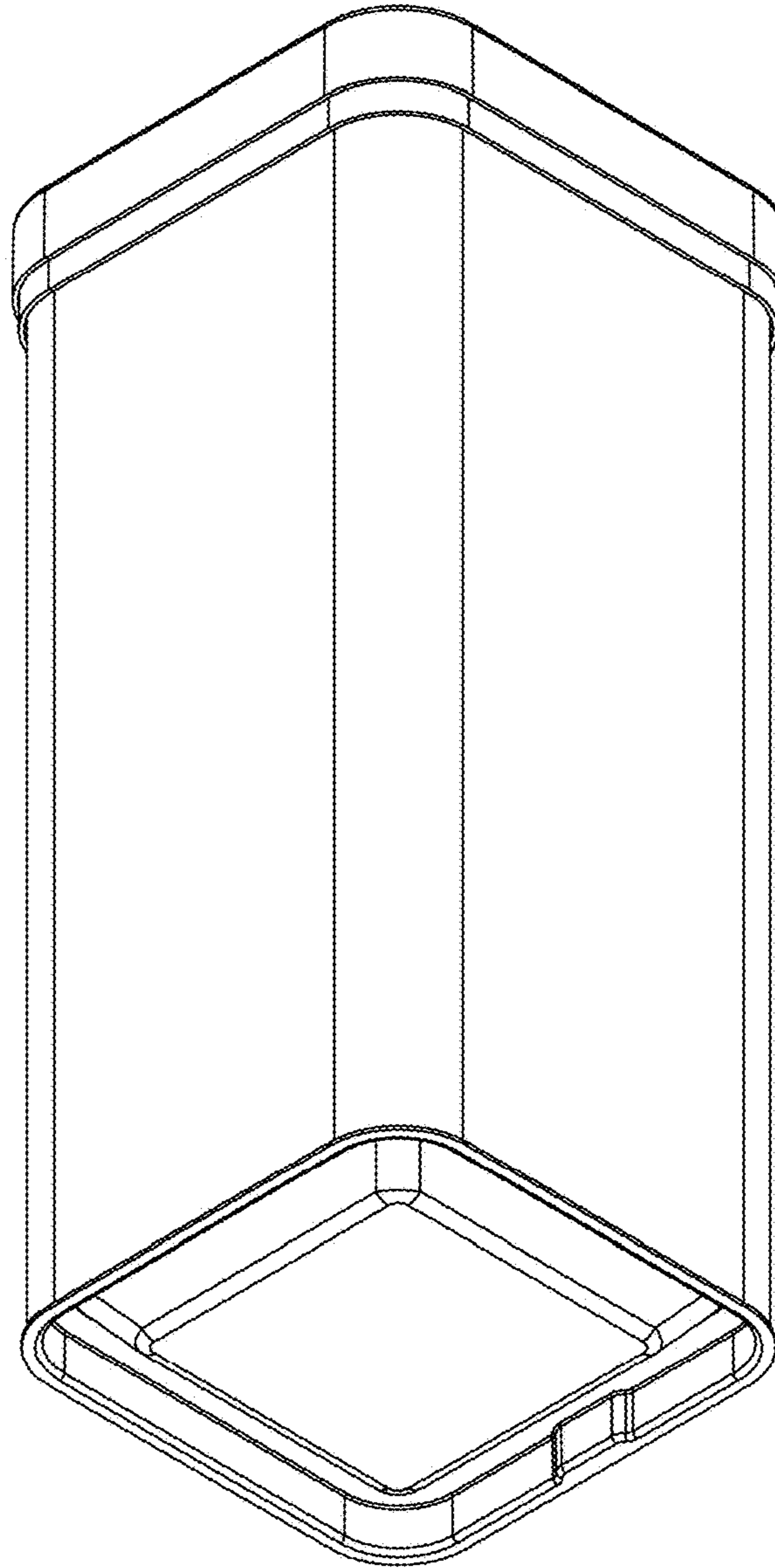


FIG. 8

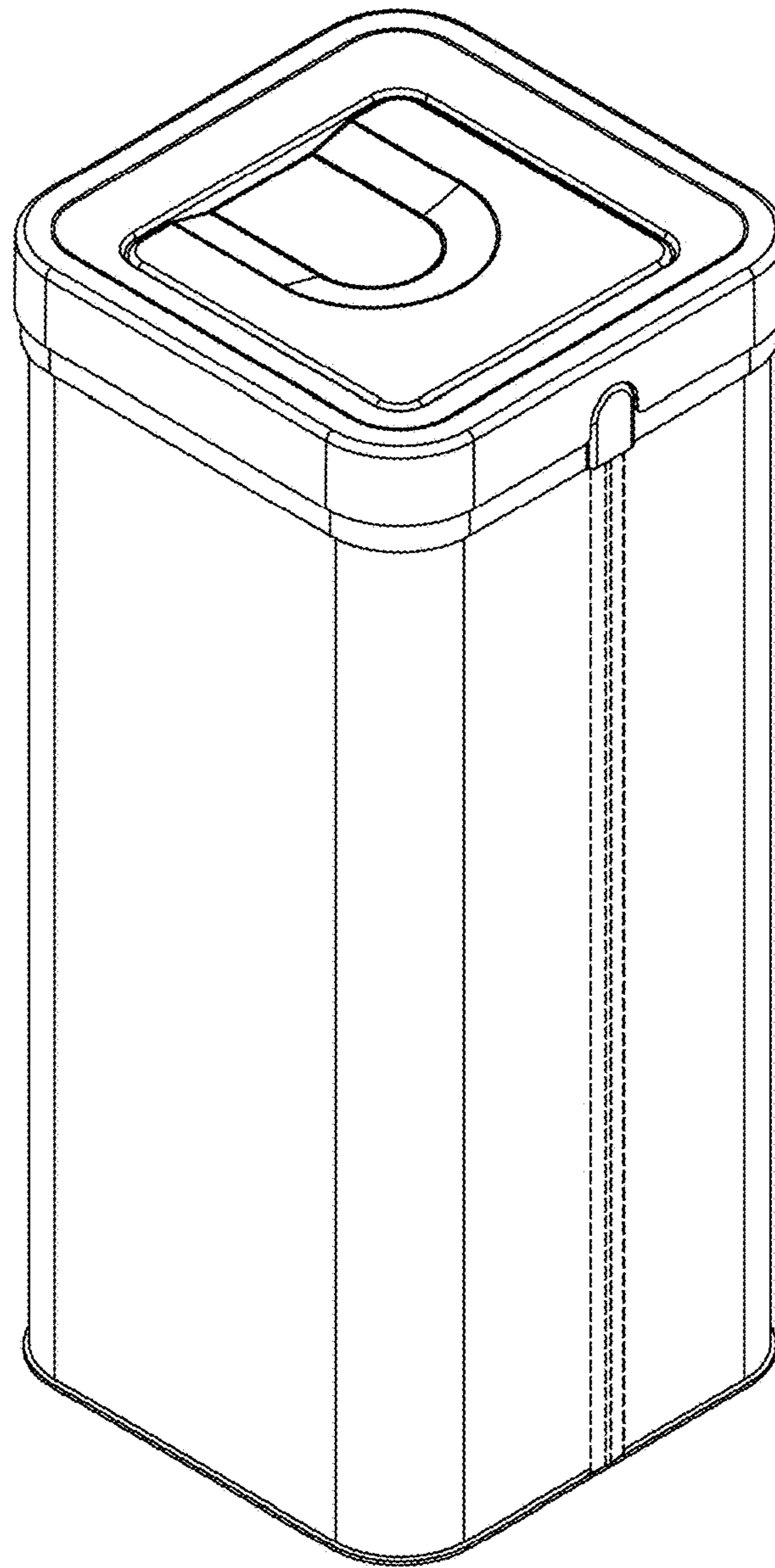


FIG. 9

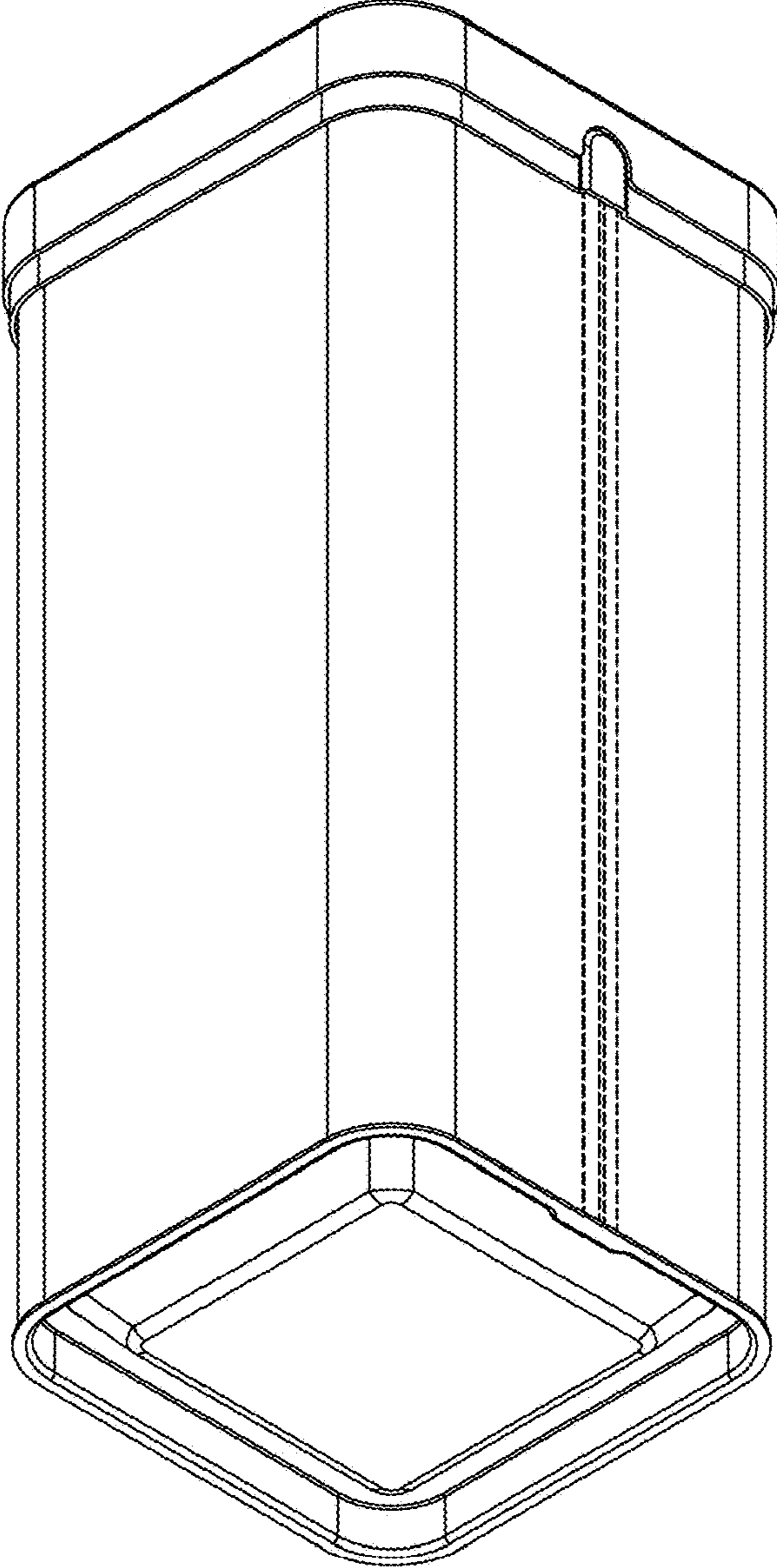


FIG. 10