



US00D858920S

(12) **United States Design Patent** (10) **Patent No.:** **US D858,920 S**
Floyd (45) **Date of Patent:** **** Sep. 3, 2019**

(54) **PORTABLE WINDSHIELD WASHING CONTAINER**

6,036,388 A 3/2000 Atcher
6,135,276 A 10/2000 French
6,854,910 B2 * 2/2005 Leblanc A47L 1/06
15/121
D640,432 S * 6/2011 Jackson D32/41
8,210,762 B1 * 7/2012 Breau B60S 3/045
15/245
D685,556 S * 7/2013 Fields D32/42
9,580,050 B2 * 2/2017 Opatry B60S 3/047
D818,231 S * 5/2018 Helfert D32/46
2003/0229962 A1 12/2003 DeHart
2005/0005949 A1 * 1/2005 Boggess A47L 1/06
134/6

(71) Applicant: **Gary Floyd**, Clinton Township, MI (US)

(72) Inventor: **Gary Floyd**, Clinton Township, MI (US)

(**) Term: **15 Years**

(21) Appl. No.: **29/692,238**

(22) Filed: **May 23, 2019**

(51) **LOC (12) Cl.** **07-05**

(52) **U.S. Cl.**
USPC **D32/42**

(58) **Field of Classification Search**
USPC D32/40-46; 15/245; 401/118, 119
CPC . A47L 1/06; A47L 13/11; A47L 13/12; A47L 13/51; B60S 3/045; B25G 1/04; B25G 3/38

See application file for complete search history.

(56) **References Cited**

U.S. PATENT DOCUMENTS

4,143,792 A 3/1979 Rex
4,887,713 A * 12/1989 Tupper A47L 1/06
206/225
D318,158 S * 7/1991 Ediger 401/139
5,035,321 A * 7/1991 Denton A47L 13/51
206/225
5,085,317 A * 2/1992 Jensen B25H 3/06
15/257.06
5,238,106 A * 8/1993 Nguyen A47L 17/00
206/223
5,839,771 A * 11/1998 DeMars A47L 13/51
294/146
D409,342 S * 5/1999 Kajimoto D32/40
5,960,513 A 10/1999 Beshah

* cited by examiner

Primary Examiner — Michelle E. Wilson
(74) *Attorney, Agent, or Firm* — Mitchell Law PLLC;
Matthew W. Mitchell

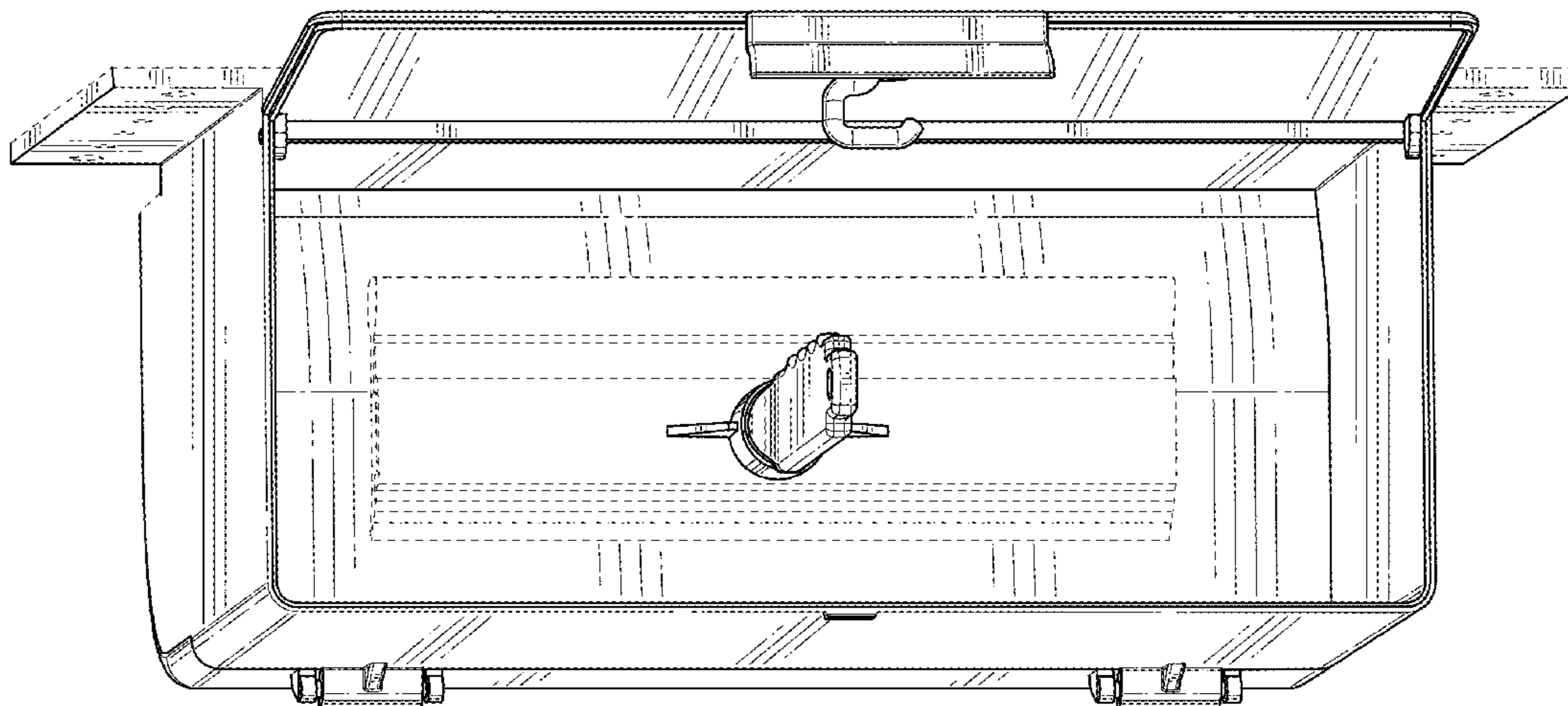
(57) **CLAIM**

The ornamental design for a portable windshield washing container, as shown and described.

DESCRIPTION

FIG. 1 is a first top isometric view of the portable windshield washing container of the present invention, shown with the lid in an open position;
FIG. 2 is a second top isometric view thereof;
FIG. 3 is front, bottom isometric view thereof;
FIG. 4 is a top, front isometric view thereof;
FIG. 5 is a front view thereof;
FIG. 6 is a right side view thereof;
FIG. 7 is a left-side view thereof;
FIG. 8 is a top view thereof; and,
FIG. 9 is a bottom view thereof.
The broken lines shown on the portable windshield washing container is included for the purpose of illustrating portions of the container that forms no part of the claimed design.

1 Claim, 9 Drawing Sheets



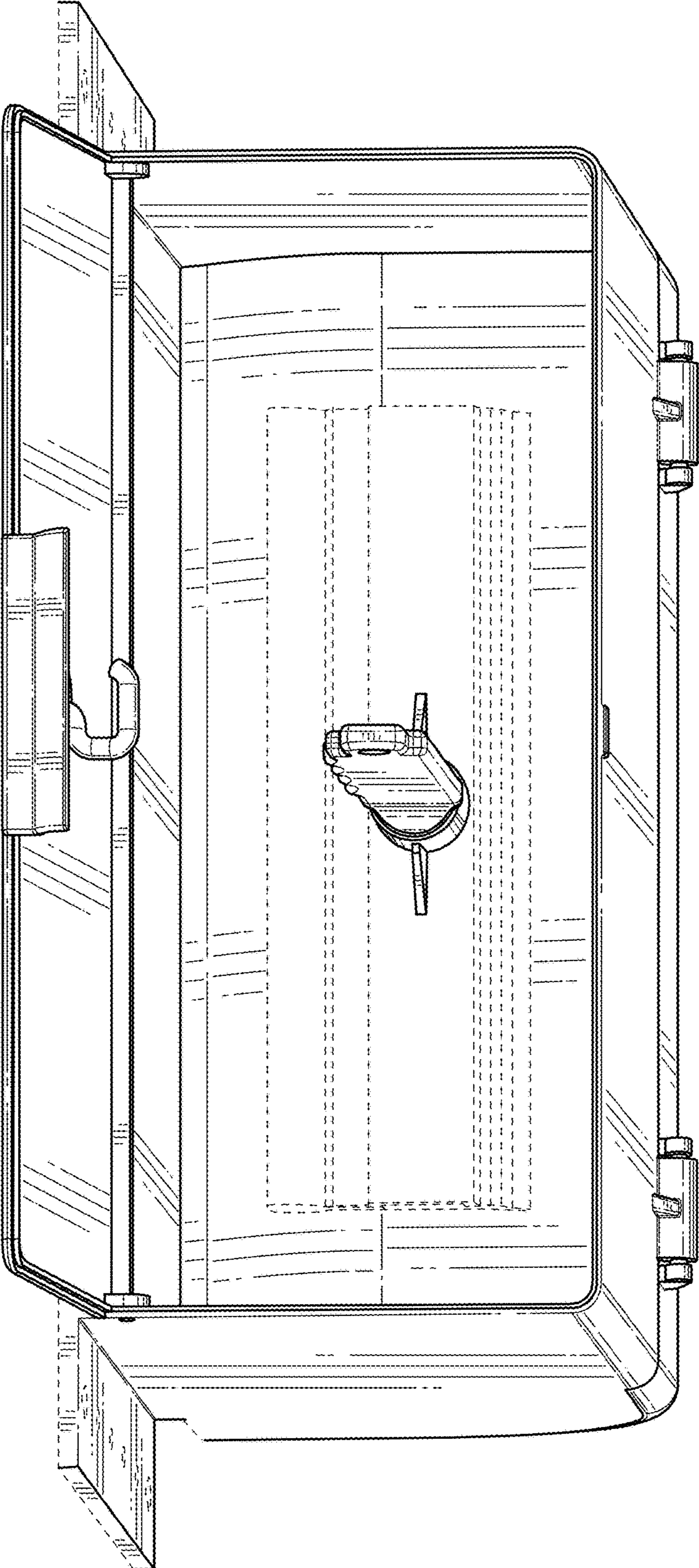


FIG. 1

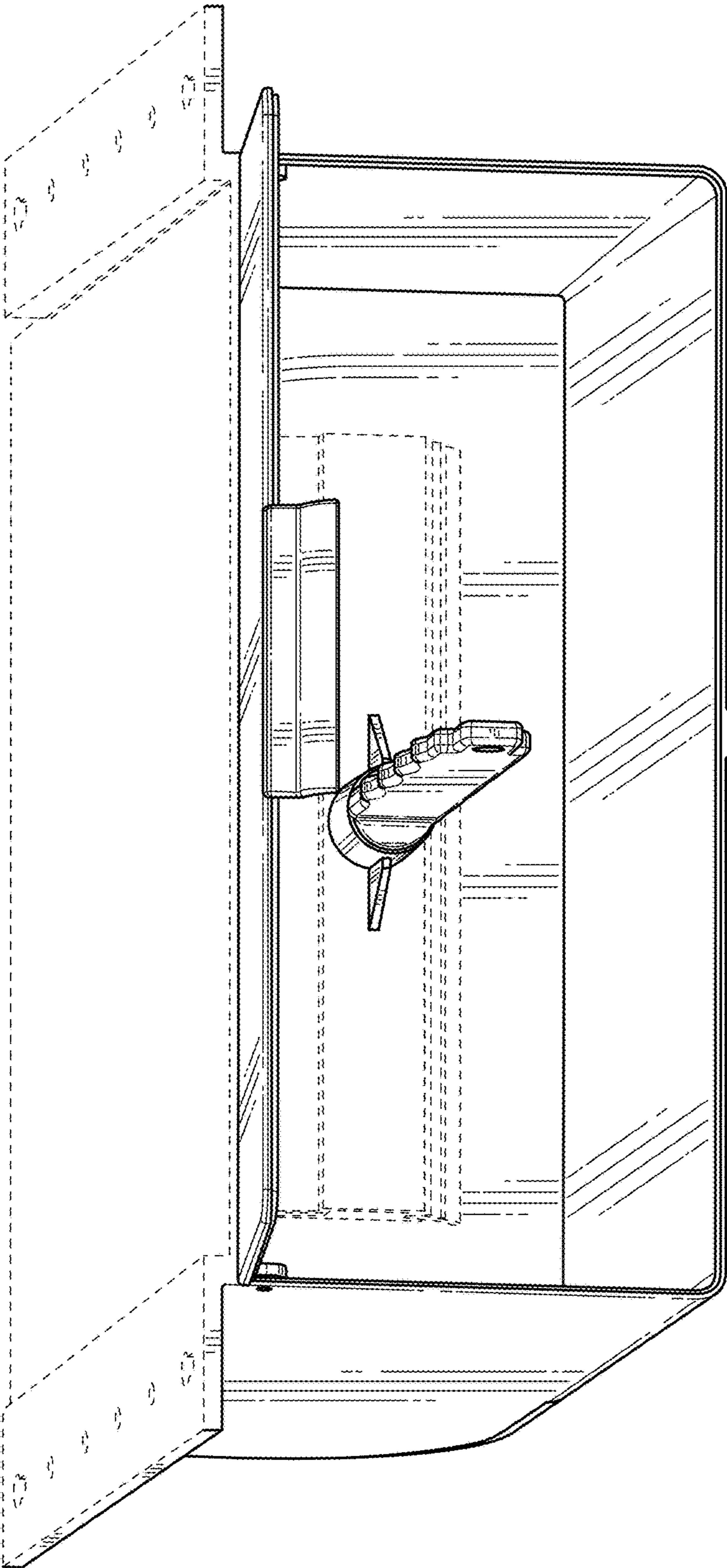


FIG. 2

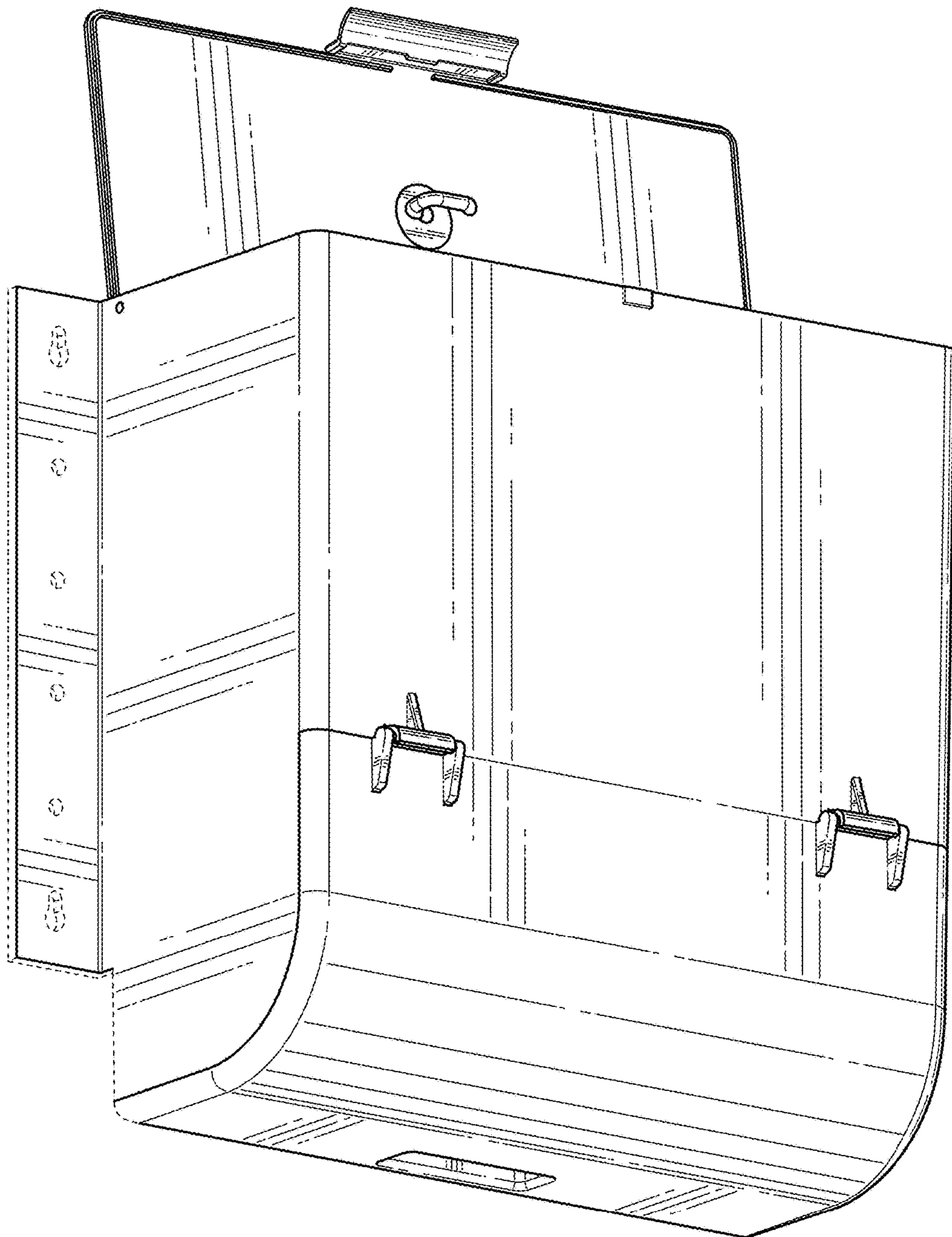


FIG. 3

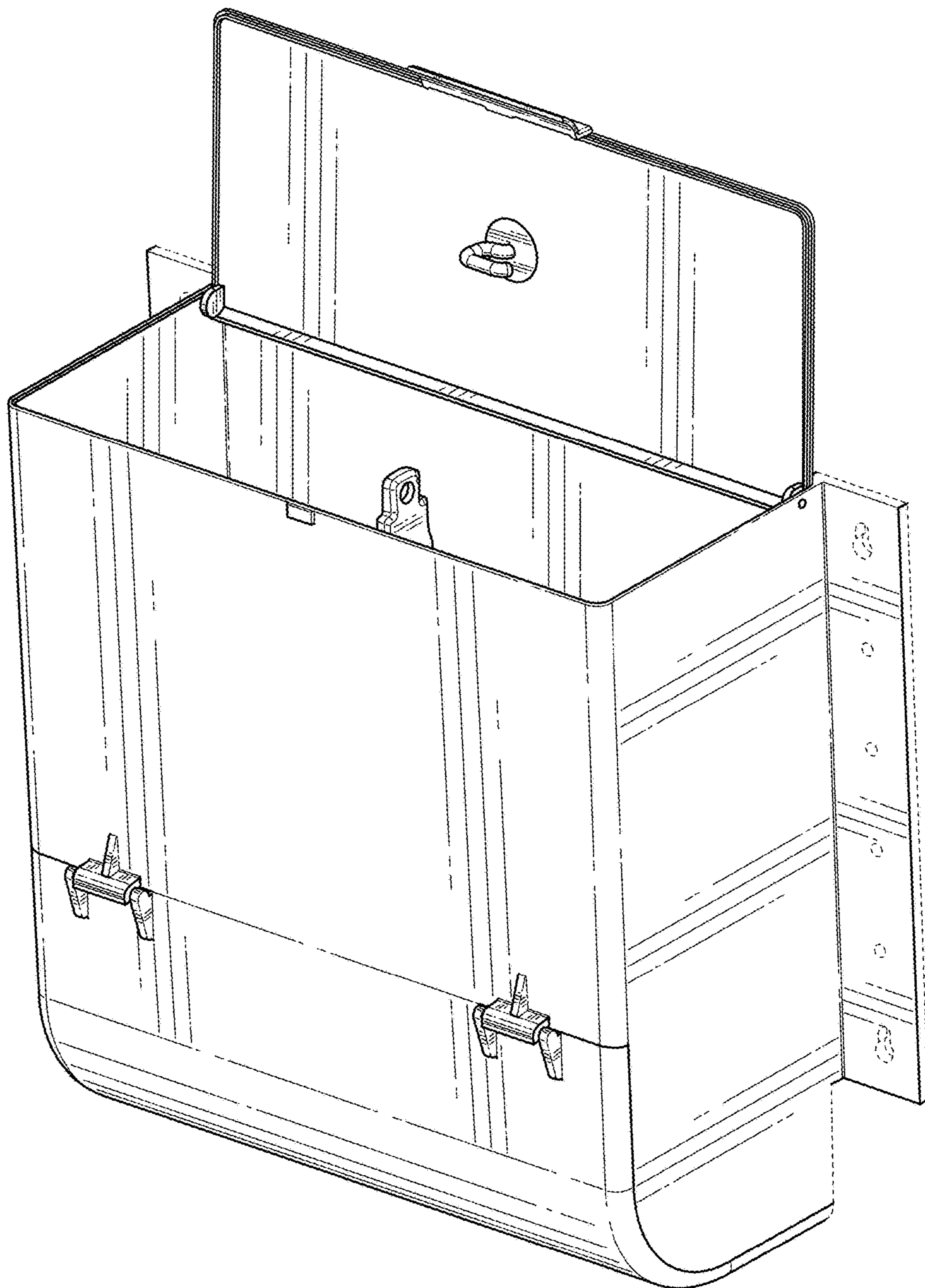


FIG. 4

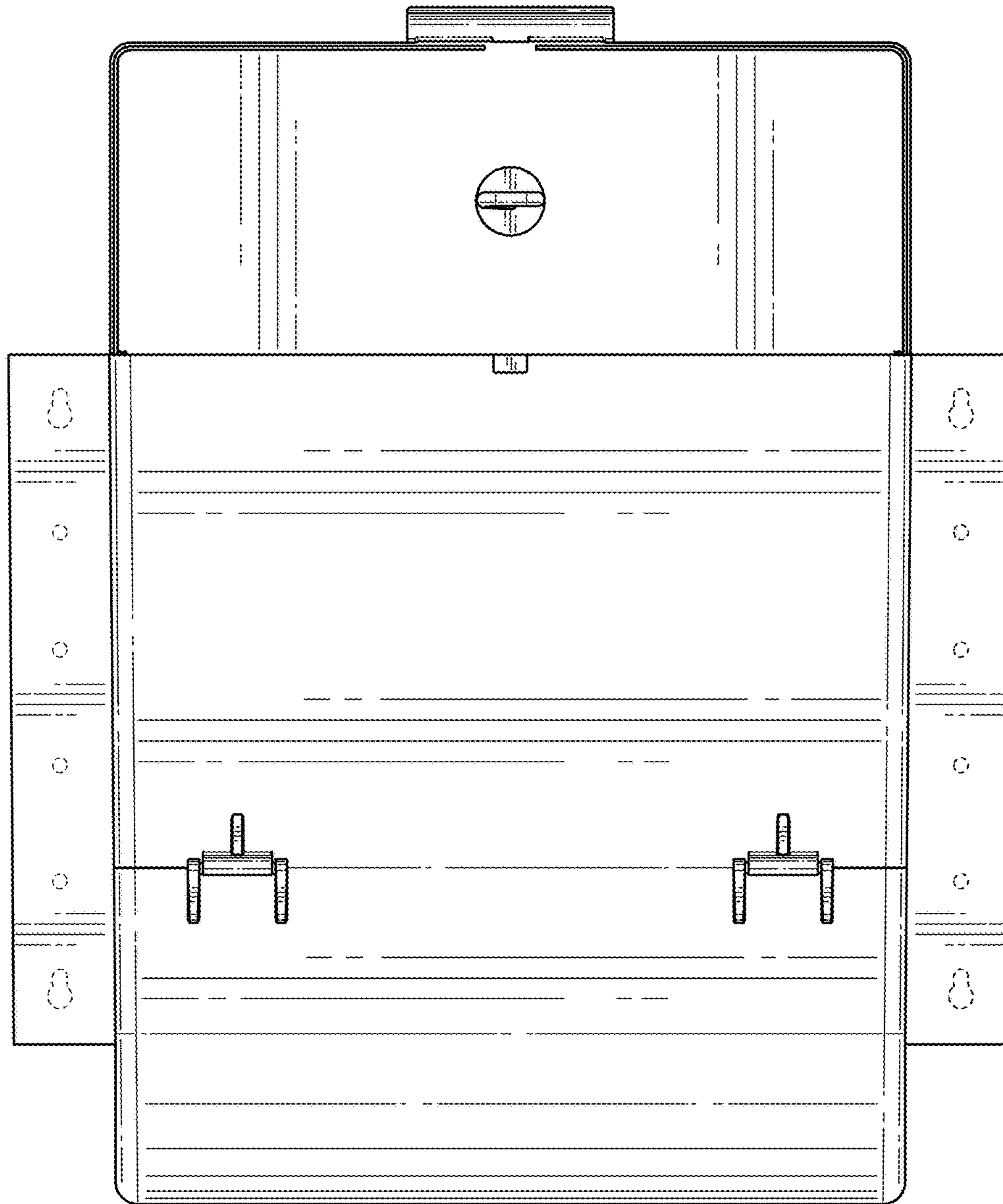


FIG. 5

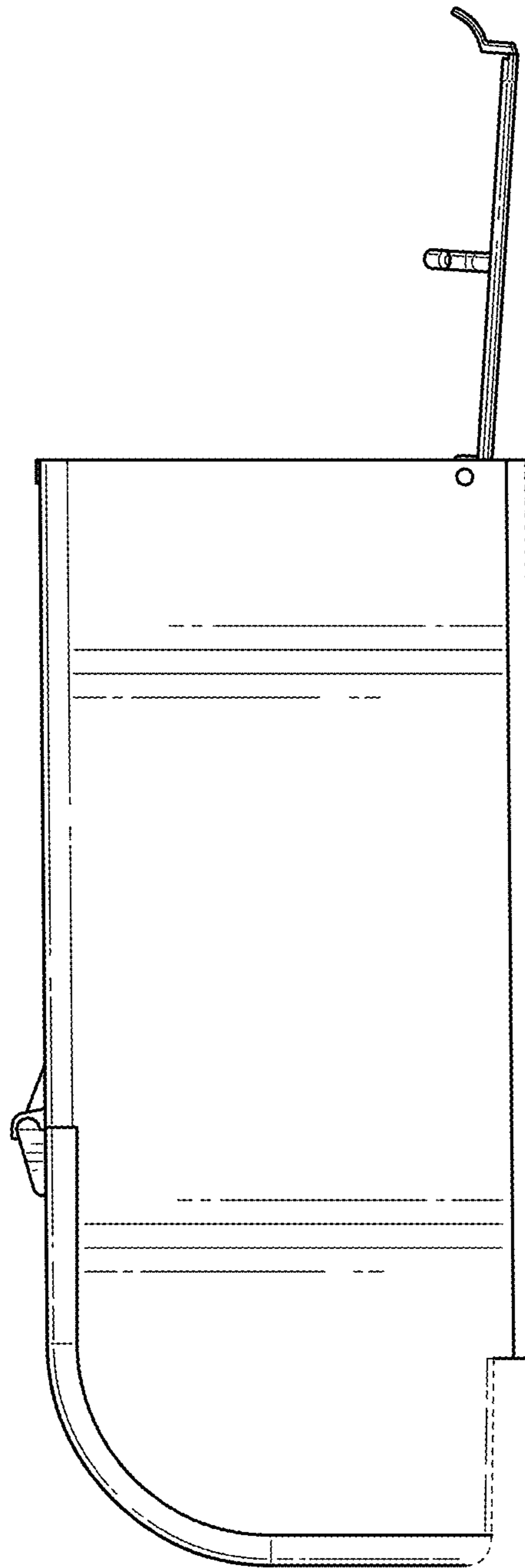


FIG. 6

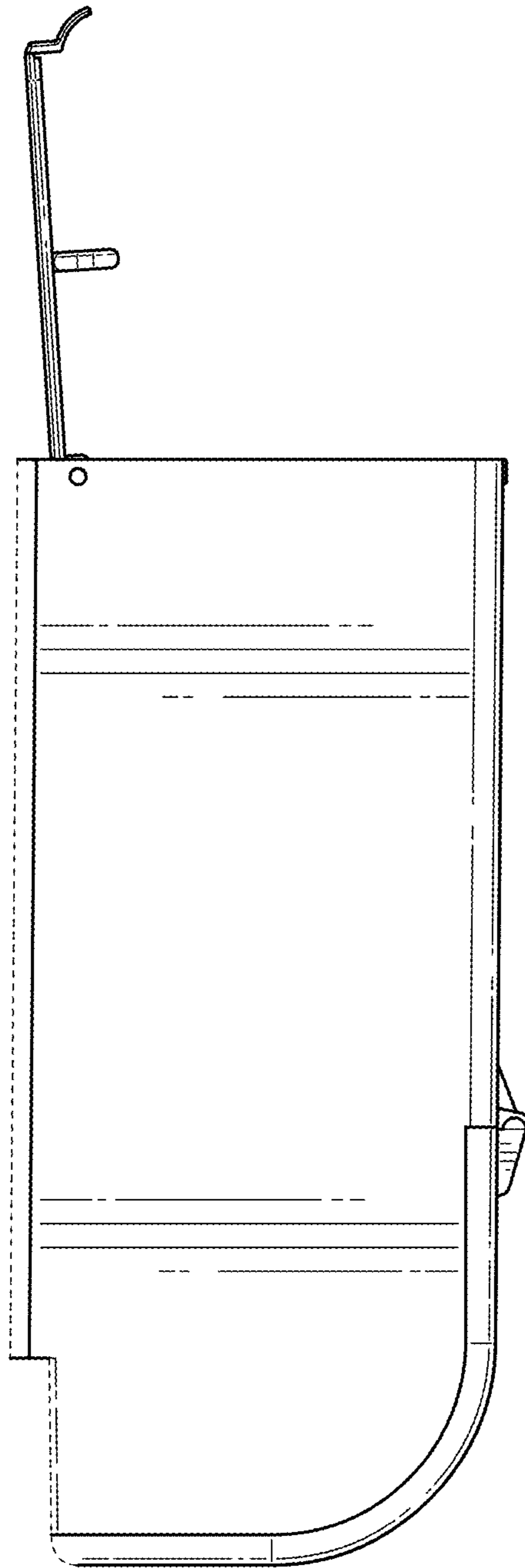


FIG. 7

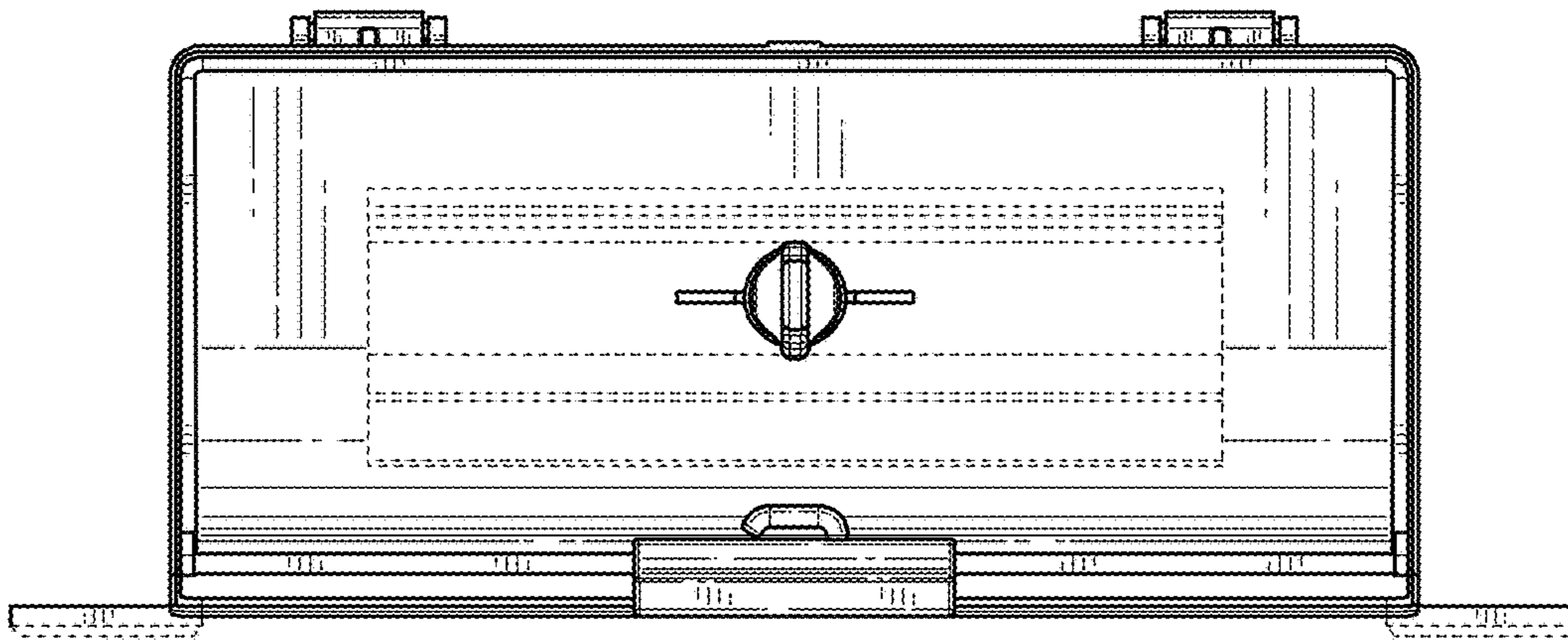


FIG. 8

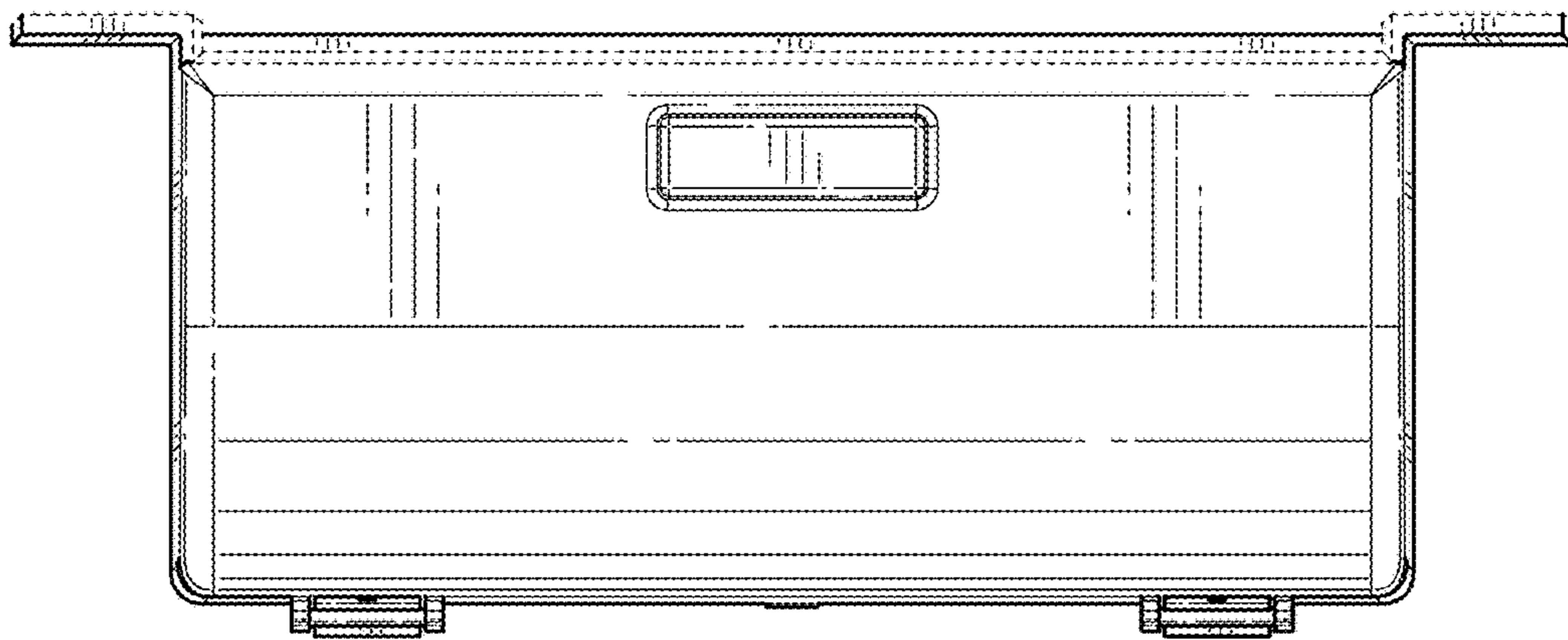


FIG. 9