



US00D858916S

(12) **United States Design Patent** (10) **Patent No.:** **US D858,916 S**
Bixby et al. (45) **Date of Patent:** **** Sep. 3, 2019**

(54) **FRONTLOAD DRYING APPLIANCE**

- (71) Applicant: **WHIRLPOOL CORPORATION**,
Benton Harbor, MI (US)
- (72) Inventors: **Seth E. Bixby**, Stevensville, MI (US);
Richard K. Gresens, St. Joseph, MI
(US); **John W. McConnell**, St. Joseph,
MI (US); **Patrick J. Schiavone**, Benton
Harbor, MI (US); **Samuel B.**
Breneman, St. Joseph, MI (US)
- (73) Assignee: **Whirlpool Corporation**, Benton
Harbor, MI (US)
- (**) Term: **15 Years**
- (21) Appl. No.: **29/633,934**
- (22) Filed: **Jan. 17, 2018**

Related U.S. Application Data

- (60) Continuation of application No. 29/579,990, filed on
Oct. 5, 2016, now abandoned, which is a division of
application No. 29/561,335, filed on Apr. 15, 2016,
now Pat. No. Des. 772,507, which is a division of
application No. 29/499,770, filed on Aug. 19, 2014,
now Pat. No. Des. 758,032.
- (51) **LOC (12) Cl.** **15-05**
- (52) **U.S. Cl.**
USPC **D32/8**
- (58) **Field of Classification Search**
USPC D32/1, 5, 6, 8, 12, 25, 28, 29
CPC D06F 33/02; D06F 39/02; D06F 2204/065;
D06F 25/00; D06F 35/006; D06F 58/00;
D06F 58/02; D06F 58/04; D06F 58/20;
D06F 19/042; D06F 23/04; D06F 39/12;
D06F 39/022

See application file for complete search history.

(56) **References Cited**

U.S. PATENT DOCUMENTS

| | | | |
|--------------|---------|-----------------|-------|
| D484,652 S | 12/2003 | Clark et al. | |
| D496,507 S | 9/2004 | Johnson et al. | |
| D521,197 S | 5/2006 | Kim et al. | |
| D575,464 S | 8/2008 | Rossetto et al. | |
| D583,114 S | 12/2008 | Jeon et al. | |
| D619,314 S | 7/2010 | Bixby et al. | |
| D661,852 S | 6/2012 | Song et al. | |
| D699,906 S | 2/2014 | Choi et al. | |
| D700,410 S | 2/2014 | Hwang et al. | |
| D701,659 S * | 3/2014 | Choi | D32/8 |

(Continued)

Primary Examiner — Michelle E. Wilson
(74) *Attorney, Agent, or Firm* — Price Heneveld LLP

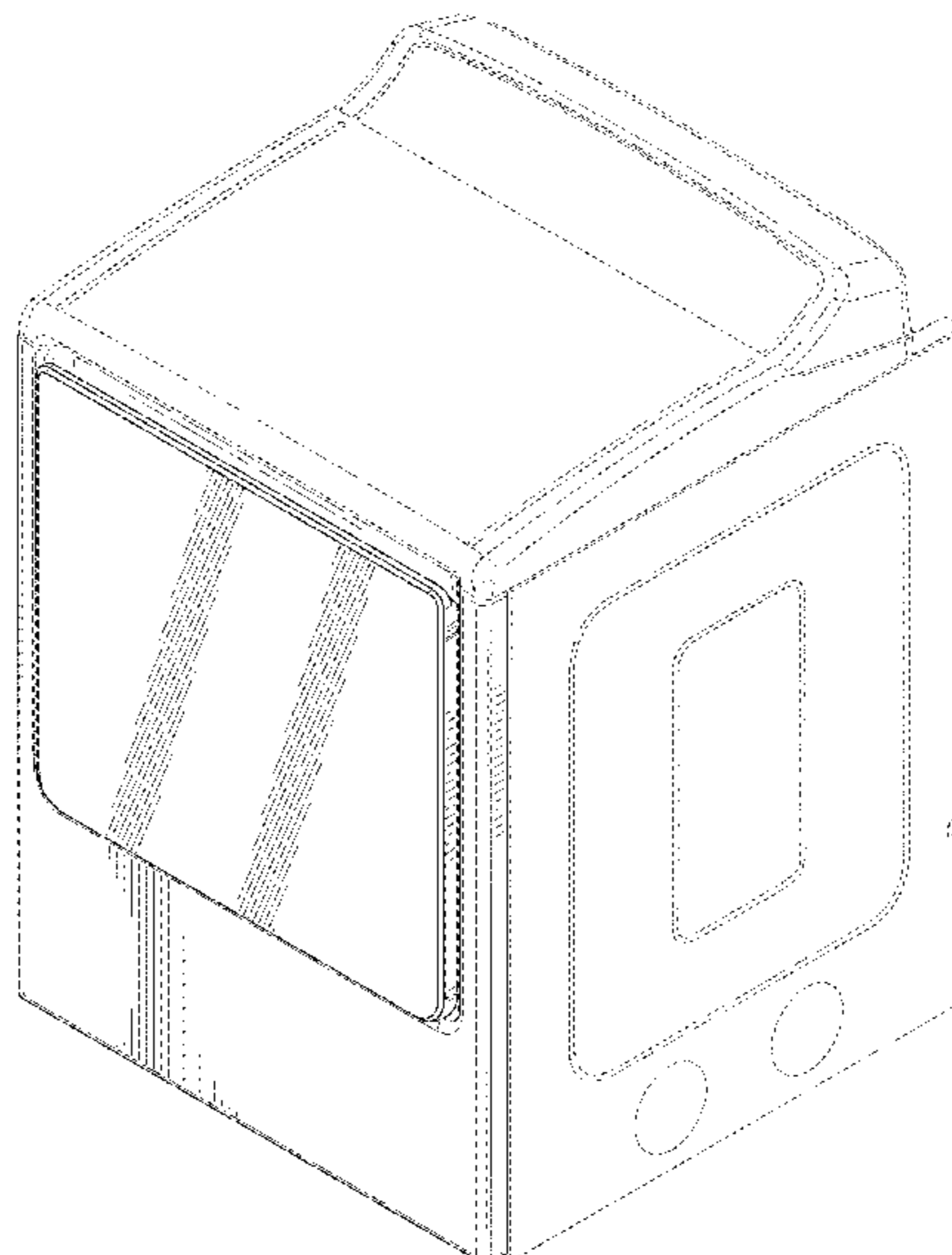
(57) **CLAIM**

We claim the ornamental design for a frontload drying
appliance, as shown and described.

DESCRIPTION

FIG. 1 is a first top perspective view of the frontload drying
appliance of the present invention;
FIG. 2 is a second top perspective view of the frontload
drying appliance of the present invention;
FIG. 3 is a top plan view of the frontload drying appliance
of the present invention;
FIG. 4 is a bottom plan view of the frontload drying
appliance of the present invention;
FIG. 5 is a first side elevation view of the frontload drying
appliance of the present invention;
FIG. 6 is a second side elevation view of the frontload drying
appliance of the present invention;
FIG. 7 is a third side elevation view of the frontload drying
appliance of the present invention; and,
FIG. 8 is a fourth side elevation view of the frontload drying
appliance of the present invention.
The broken lines shown in the figures are for the purpose of
illustrating unclaimed portions of the frontload drying appli-
ance and form no part of the claimed design.

1 Claim, 8 Drawing Sheets



(56)

References Cited

U.S. PATENT DOCUMENTS

| | | | | |
|--------------|-----|---------|------------------|-------|
| D703,887 | S * | 4/2014 | Lee | D32/8 |
| 8,820,861 | B2 | 9/2014 | Kim et al. | |
| D718,505 | S | 11/2014 | Hyoungsub et al. | |
| 8,936,330 | B2 | 1/2015 | Kim et al. | |
| D729,467 | S | 5/2015 | Jee et al. | |
| D729,998 | S | 5/2015 | Jeon et al. | |
| D730,597 | S * | 5/2015 | Jeon | D32/8 |
| D733,375 | S | 6/2015 | Uk et al. | |
| 9,049,929 | B2 | 6/2015 | Kilgore et al. | |
| 9,200,842 | B2 | 12/2015 | Hopkins | |
| D749,807 | S | 2/2016 | Ha et al. | |
| D758,029 | S | 5/2016 | Bixby et al. | |
| D758,030 | S | 5/2016 | Bixby et al. | |
| D758,031 | S | 5/2016 | Bixby et al. | |
| D758,032 | S | 5/2016 | Bixby et al. | |
| D759,912 | S | 6/2016 | Bixby et al. | |
| D759,913 | S | 6/2016 | Jeon et al. | |
| D760,968 | S | 7/2016 | Choi et al. | |
| D812,323 | S * | 3/2018 | Bixby | D32/8 |
| D812,325 | S * | 3/2018 | Bixby | D32/8 |
| D831,907 | S * | 10/2018 | Bixby | D32/8 |
| D840,614 | S * | 2/2019 | Bixby | D32/8 |
| 2009/0193678 | A1 | 8/2009 | Latack et al. | |
| 2012/0000086 | A1 | 1/2012 | Browne et al. | |
| 2013/0193823 | A1 | 8/2013 | Cho et al. | |
| 2015/0233039 | A1 | 8/2015 | Cho et al. | |
| 2015/0233042 | A1 | 8/2015 | Kang et al. | |
| 2016/0076186 | A1 | 3/2016 | Lee et al. | |
| 2016/0076187 | A1 | 3/2016 | Lee et al. | |
| 2017/0009392 | A1 | 1/2017 | Lee et al. | |

* cited by examiner

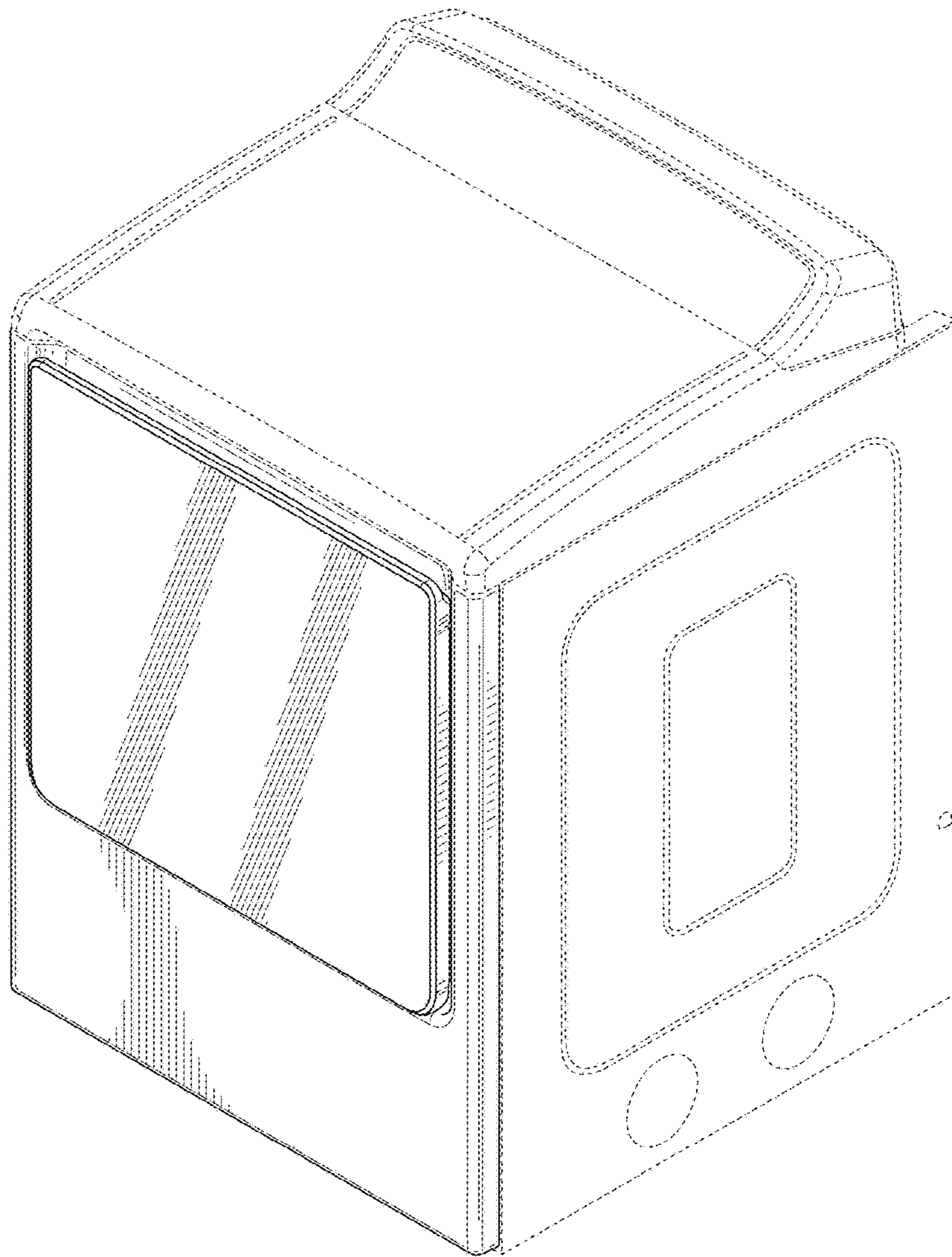


FIG. 1

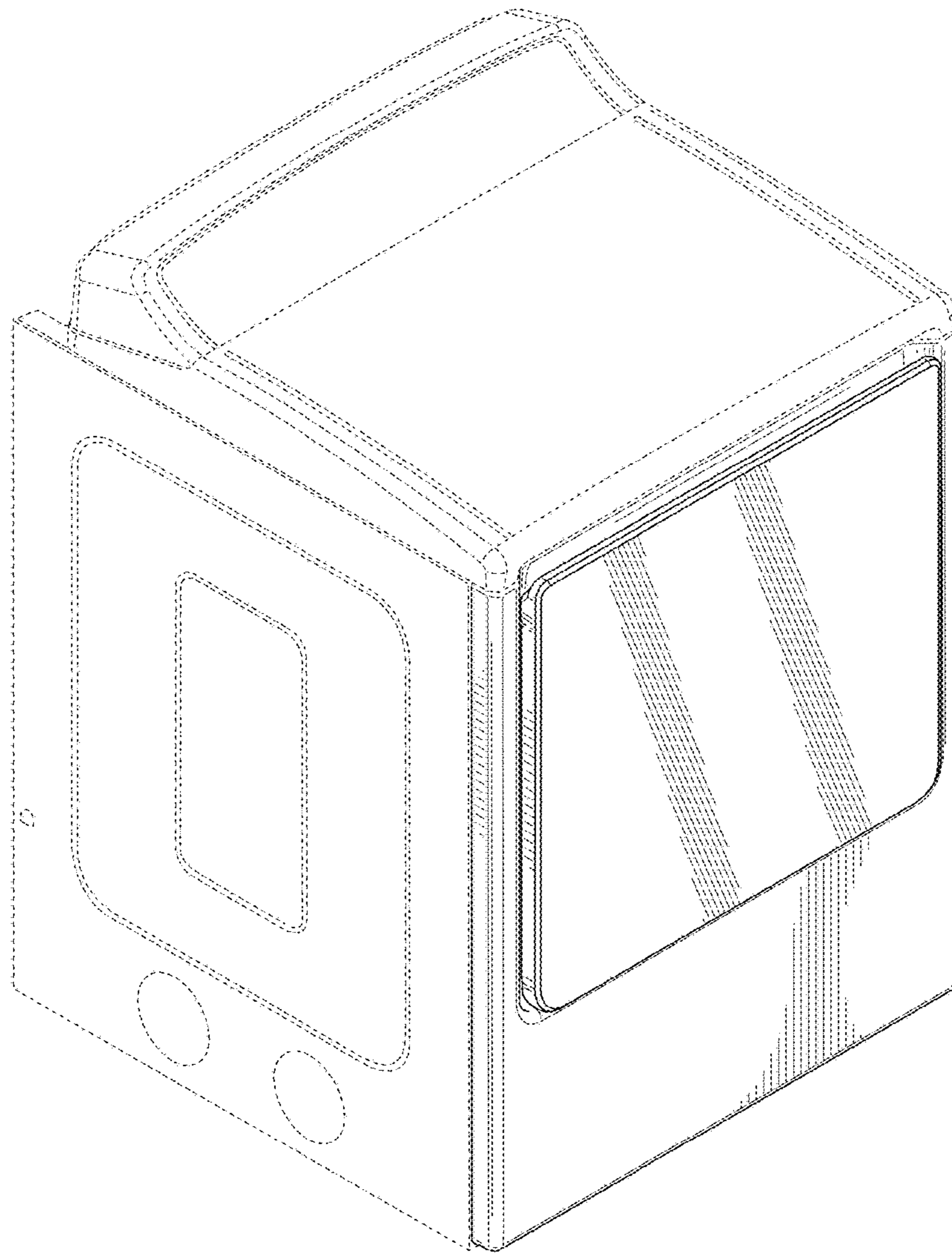


FIG. 2

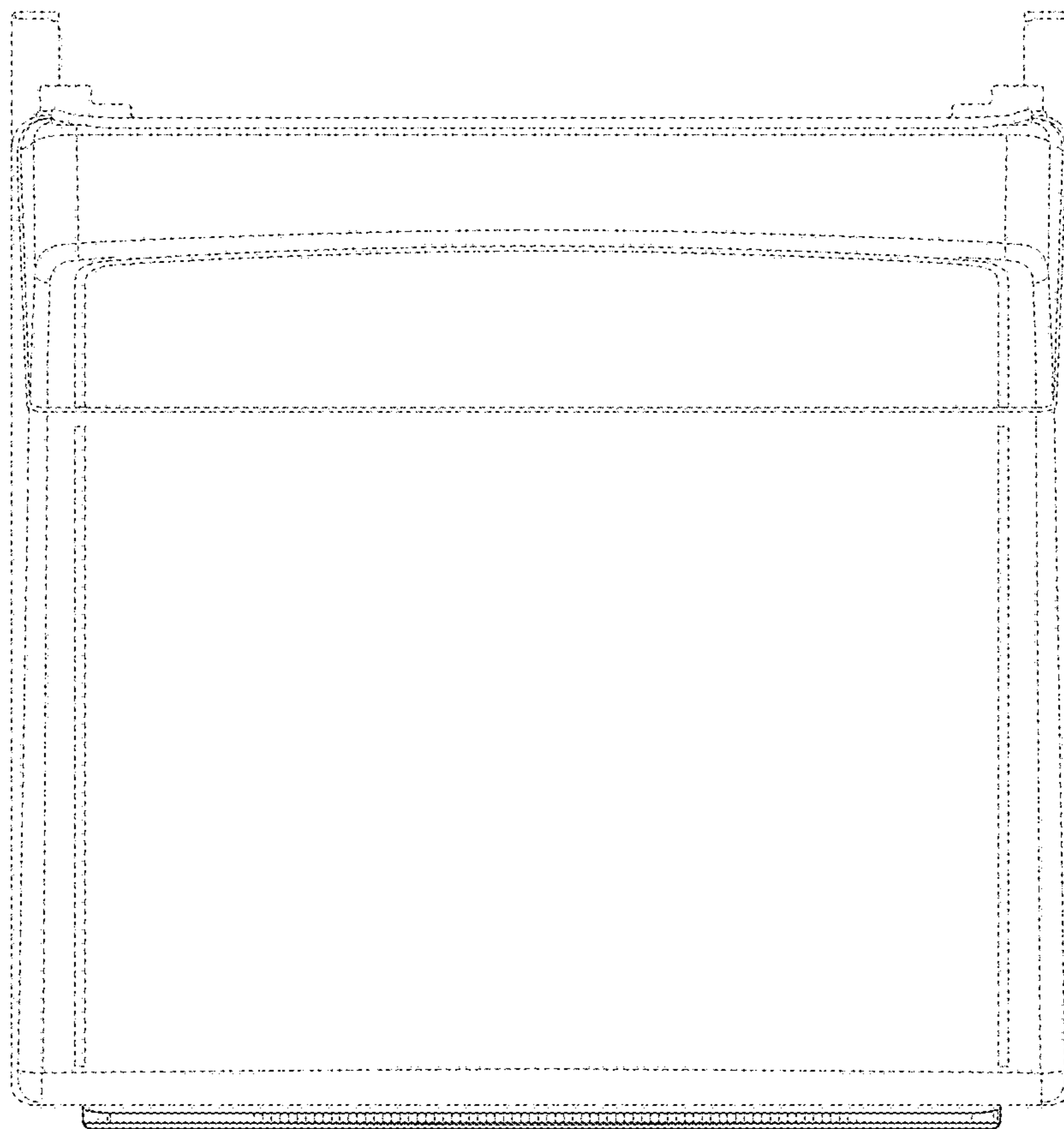


FIG. 3

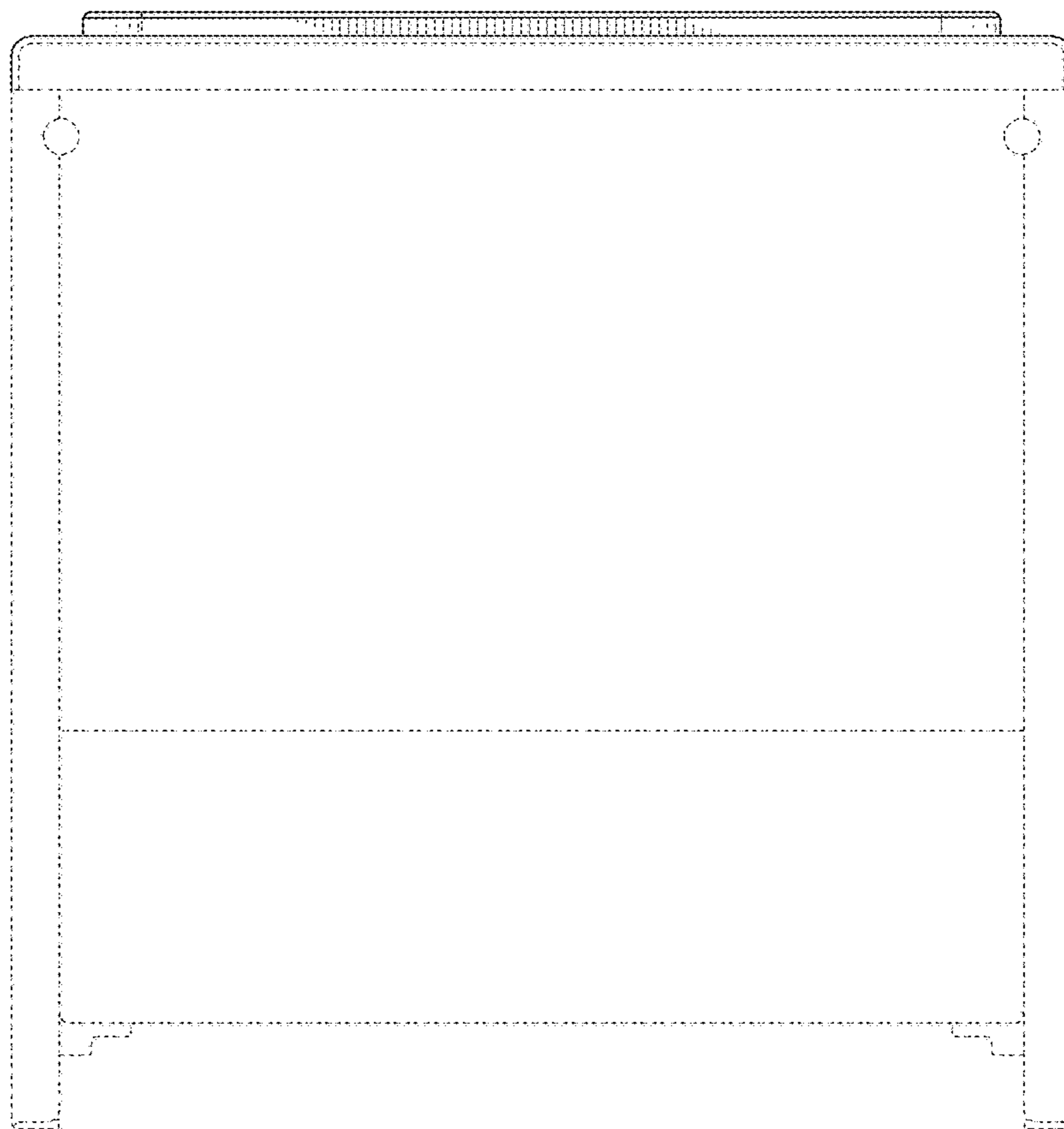


FIG. 4

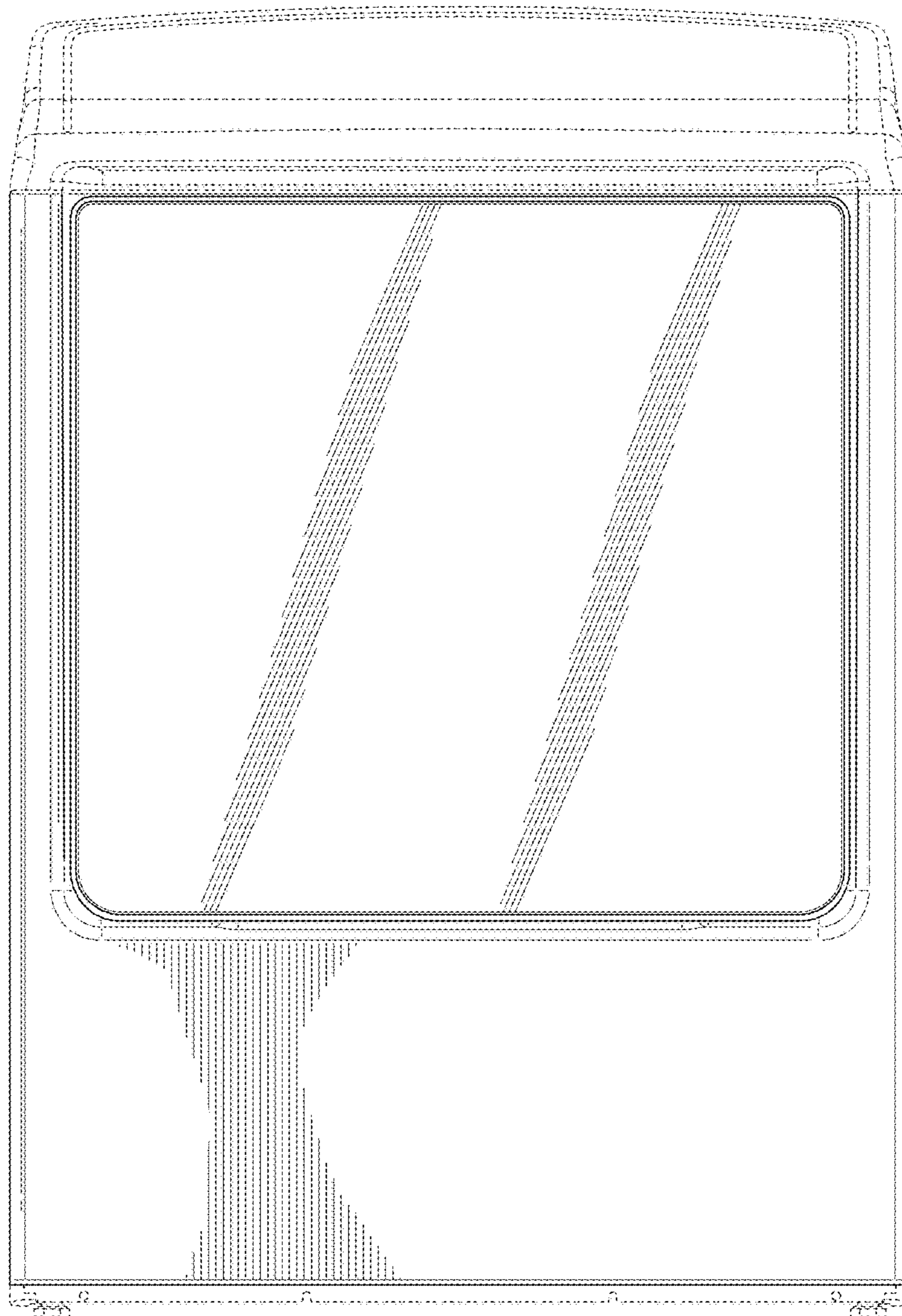


FIG. 5

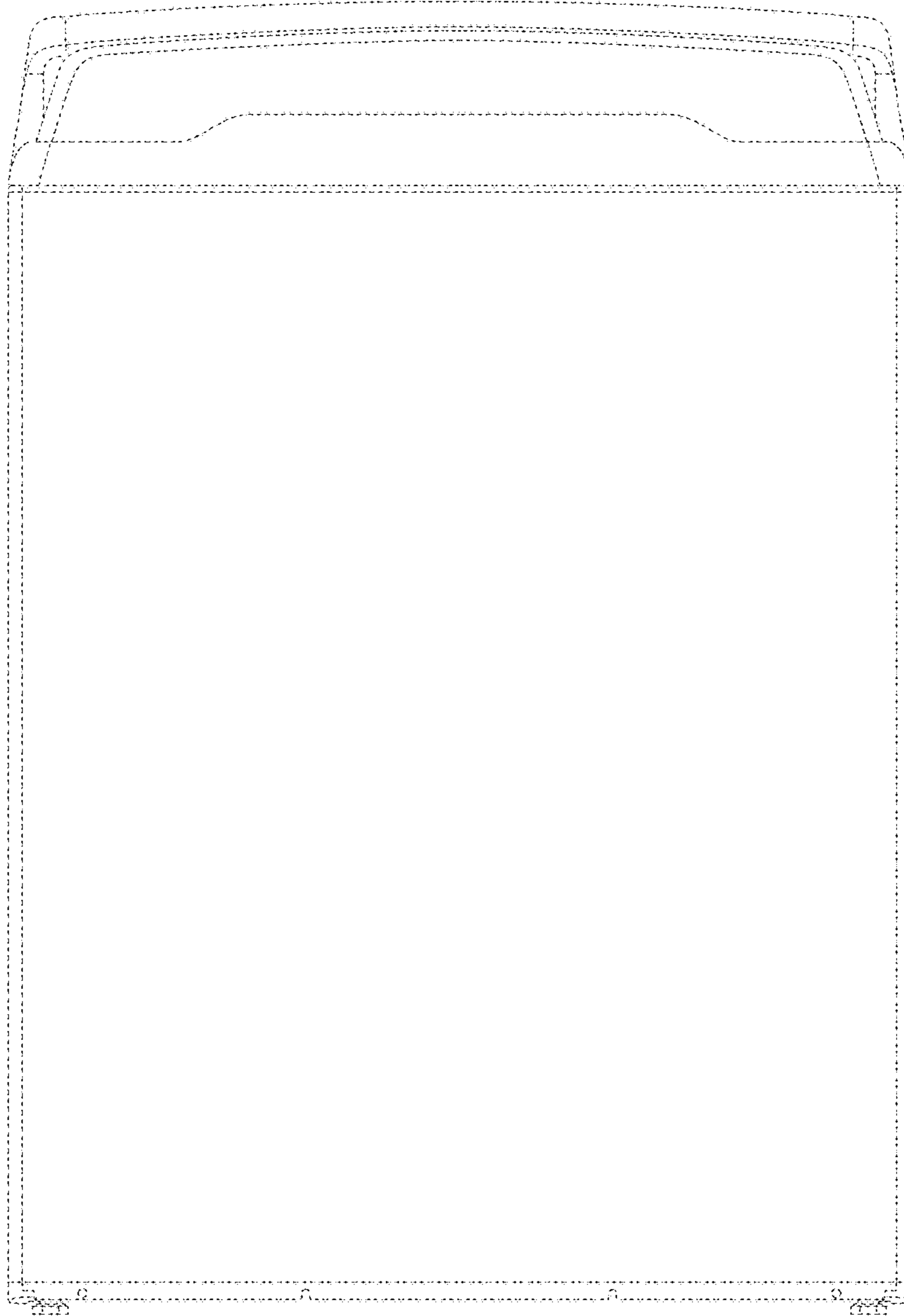


FIG. 6

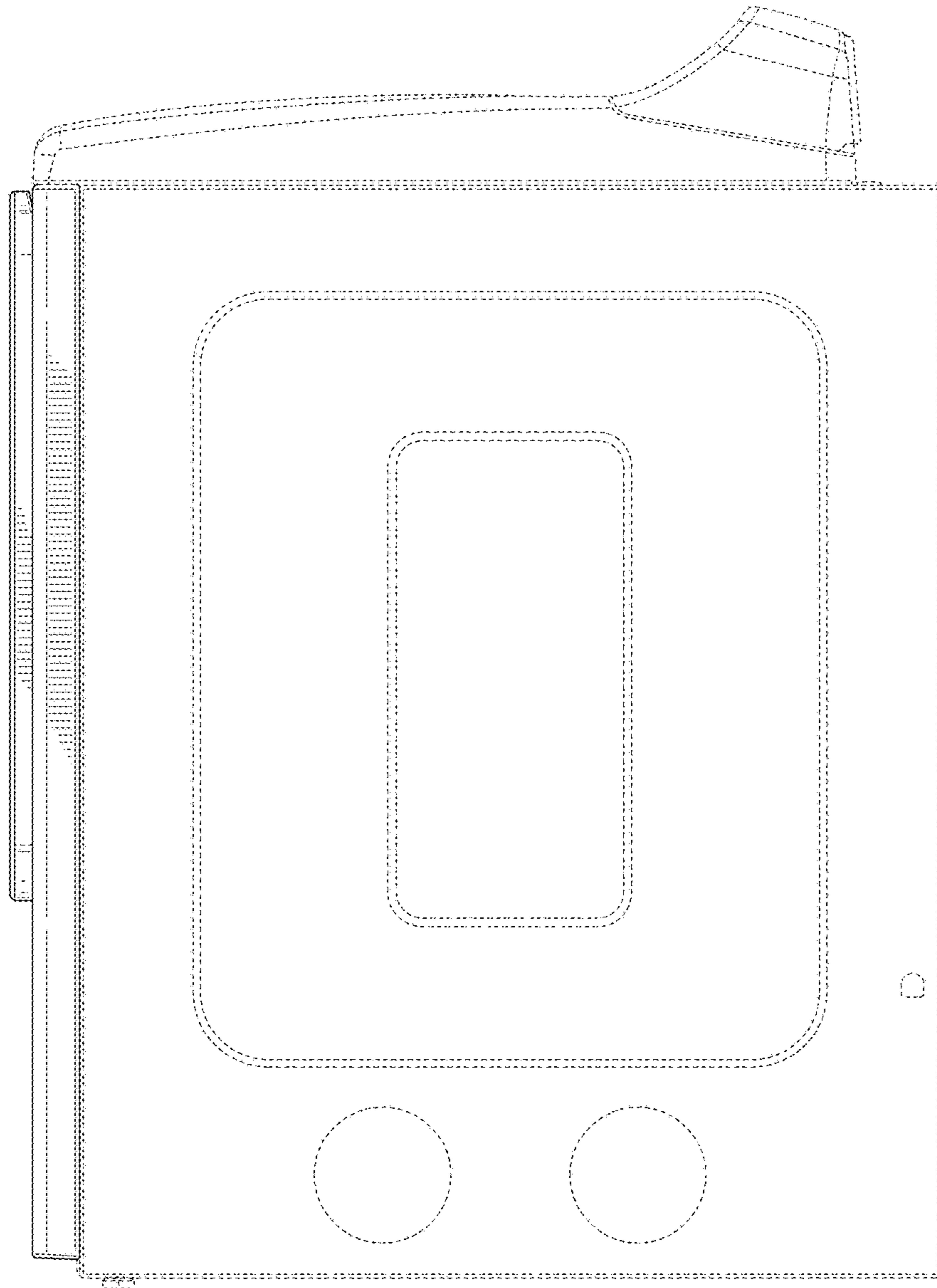


FIG. 7

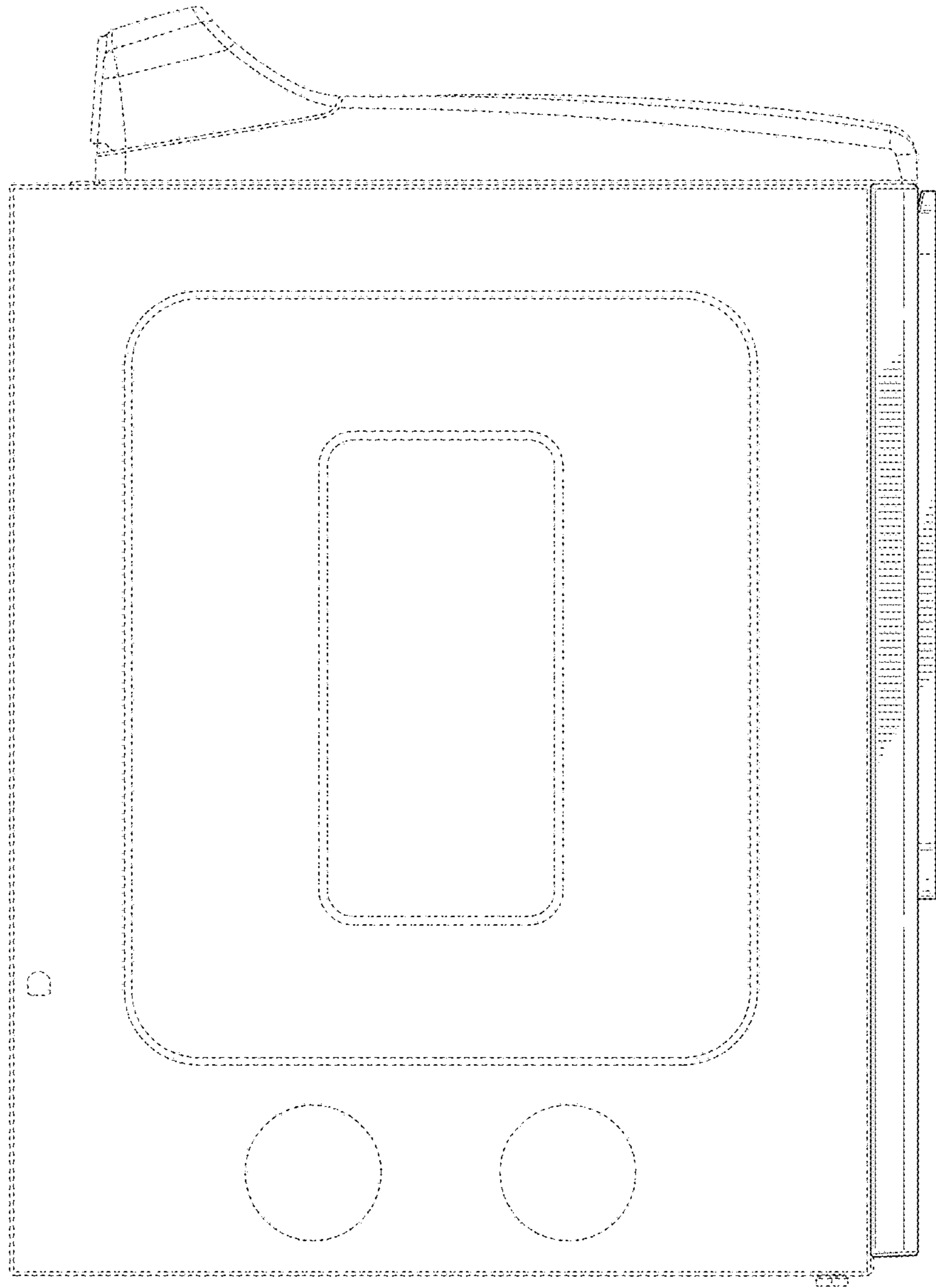


FIG. 8