



US00D858915S

(12) **United States Design Patent** (10) **Patent No.:** **US D858,915 S**
Beaudreault et al. (45) **Date of Patent:** **** Sep. 3, 2019**

(54) **FABRIC CARE APPLIANCE**

(56) **References Cited**

(71) Applicant: **WHIRLPOOL CORPORATION**,
Benton Harbor, MI (US)

(72) Inventors: **James Beaudreault**, Lincoln, RI (US);
Adam Richard Brown, Holland, MI
(US); **Lucien Bourbeau**, Assonet, MA
(US); **Matthew B. Conn**, Granger, IN
(US); **Gregory A. Ferro**, Elkhart, IN
(US); **Christopher A. Gregory**, St.
Joseph, MI (US); **Nicholas**
Koukourakis, Stevensville, MI (US);
Andrew S. Lawrence, St. Joseph, MI
(US); **Eamon C. Lyons**, Somerset, MA
(US); **Mark W. Schulz**, Benton Harbor,
MI (US)

(73) Assignee: **Whirlpool Corporation**, Benton
Harbor, MI (US)

U.S. PATENT DOCUMENTS
2,741,113 A * 4/1956 Norkus D06F 43/06
68/205 R
3,049,903 A * 8/1962 Sussman D06F 73/02
68/12.12
3,102,796 A * 9/1963 Erickson D06F 58/02
198/699.1
3,426,555 A * 2/1969 McCutcheon, Jr. D06F 43/08
68/12.08
3,739,496 A * 6/1973 Buckley D06F 73/02
34/210
4,180,919 A * 1/1980 Baltes D06F 57/12
34/449
4,682,424 A * 7/1987 Irving D06F 58/10
211/123
D320,877 S * 10/1991 Renzacci D32/6
5,555,640 A * 9/1996 Ou A47L 19/00
211/133.6
5,755,040 A * 5/1998 Ou A47L 23/205
34/202

(Continued)

(**) Term: **15 Years**

Primary Examiner — Michelle E. Wilson
(74) *Attorney, Agent, or Firm* — Price Heneveld LLP

(21) Appl. No.: **29/679,085**

(22) Filed: **Feb. 1, 2019**

(57) **CLAIM**

The ornamental design for a fabric care appliance, as shown and described.

Related U.S. Application Data

(63) Continuation of application No. 29/605,910, filed on May 31, 2017, now abandoned.

(51) **LOC (12) Cl.** **15-05**

(52) **U.S. Cl.**
USPC **D32/6**

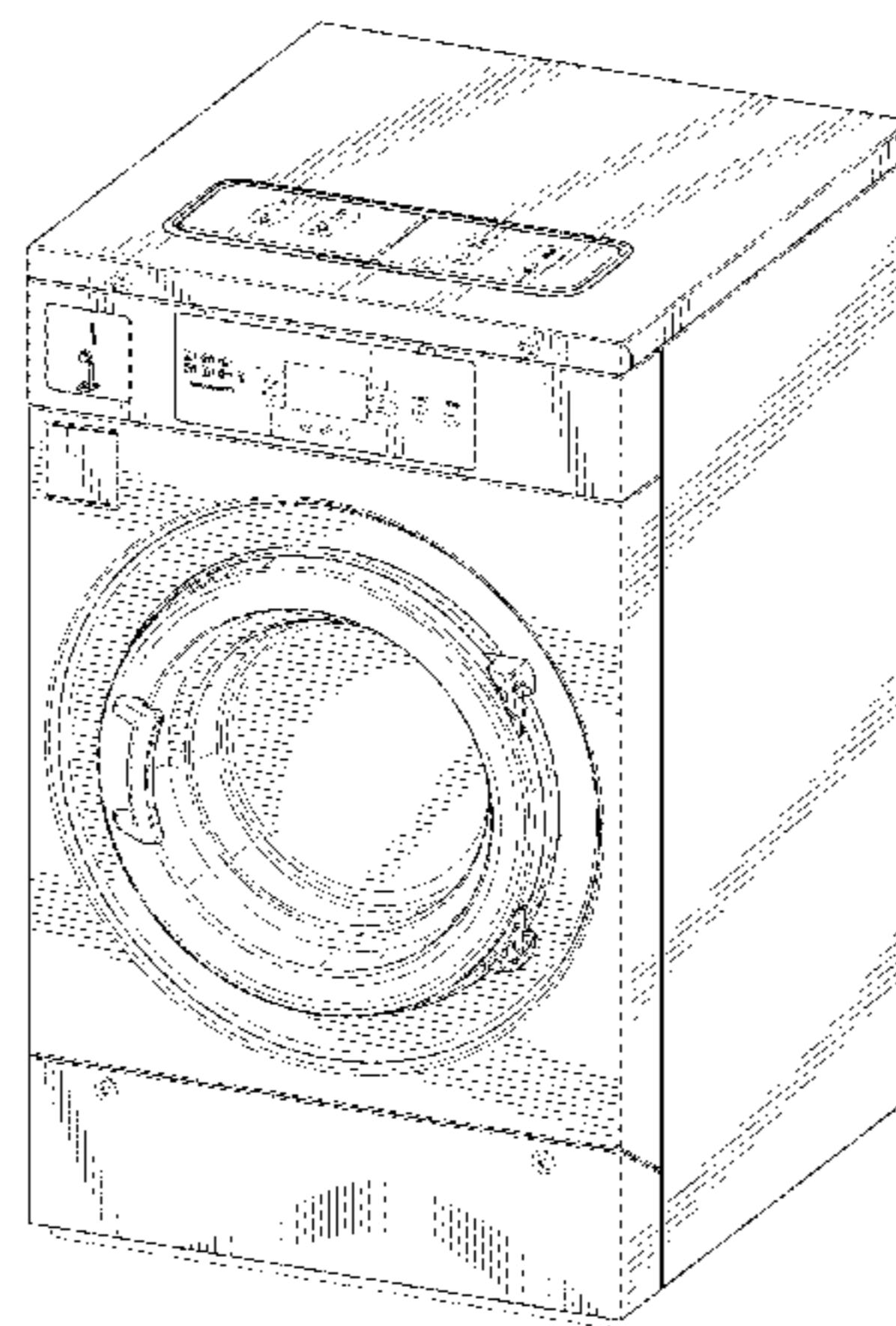
(58) **Field of Classification Search**
USPC D32/1, 5-6, 8, 25, 28, 29
CPC D06F 33/02; D06F 2204/065; D06F 25/00;
D06F 35/006; D06F 37/28; D06F 39/14;
D06F 58/203

See application file for complete search history.

DESCRIPTION

FIG. 1 is a front perspective view of a fabric care appliance according to our design;
FIG. 2 is a front elevation view thereof;
FIG. 3 is a rear elevation view thereof;
FIG. 4 is a left side elevation view thereof;
FIG. 5 is a right side elevation view thereof;
FIG. 6 is a top plan view thereof; and,
FIG. 7 is a bottom plan view thereof.

(Continued)



The broken lines showing portions of the fabric care appli-
 ance form no part of the claimed design.

1 Claim, 7 Drawing Sheets

(56)

References Cited

U.S. PATENT DOCUMENTS

5,815,961 A * 10/1998 Estes D06F 71/16
 38/14
 6,018,885 A * 2/2000 Hill D06F 58/10
 34/202
 6,427,365 B2 * 8/2002 MacGregor D06F 73/02
 38/1 A
 D476,782 S * 7/2003 Huddleston D32/6
 D532,563 S * 11/2006 Kim D32/6
 7,367,137 B2 * 5/2008 Jonsson D06F 58/10
 34/265
 D597,711 S 8/2009 Nam
 D611,207 S 3/2010 Yalcin
 D622,456 S * 8/2010 Kim D32/8
 D626,300 S 10/2010 Lee
 D630,807 S 1/2011 Song
 D631,624 S 1/2011 Chung
 D638,592 S * 5/2011 Suh D32/8

D640,430 S * 6/2011 Jee D32/6
 D643,165 S * 8/2011 Song D32/8
 D659,307 S 5/2012 Geyer
 D659,917 S * 5/2012 Jeon D32/10
 D671,282 S * 11/2012 Jeon D32/10
 D688,427 S 8/2013 Meda
 D695,472 S 12/2013 Borjesson
 D696,478 S 12/2013 Geyer
 D697,678 S 1/2014 Jeon
 D701,009 S 3/2014 Jinnam
 D712,603 S 9/2014 Geyer
 D728,174 S * 4/2015 Hedegaard D32/1
 D731,129 S 6/2015 Ha
 D731,719 S 6/2015 Borjesson
 D732,250 S 6/2015 Borjesson
 D739,097 S 9/2015 Qin
 9,388,523 B2 7/2016 Han
 D787,759 S 5/2017 Geyer
 9,777,423 B2 10/2017 Stabon
 9,834,880 B2 12/2017 Jo
 2004/0134087 A1 * 7/2004 Meyer D06F 58/10
 34/90
 2007/0151302 A1 * 7/2007 Kendall D06F 29/00
 68/3 R
 2008/0136295 A1 * 6/2008 Aizpuru Borda D06F 57/10
 312/31
 2017/0183807 A1 6/2017 Cinello
 2017/0342639 A1 11/2017 Kim
 * cited by examiner

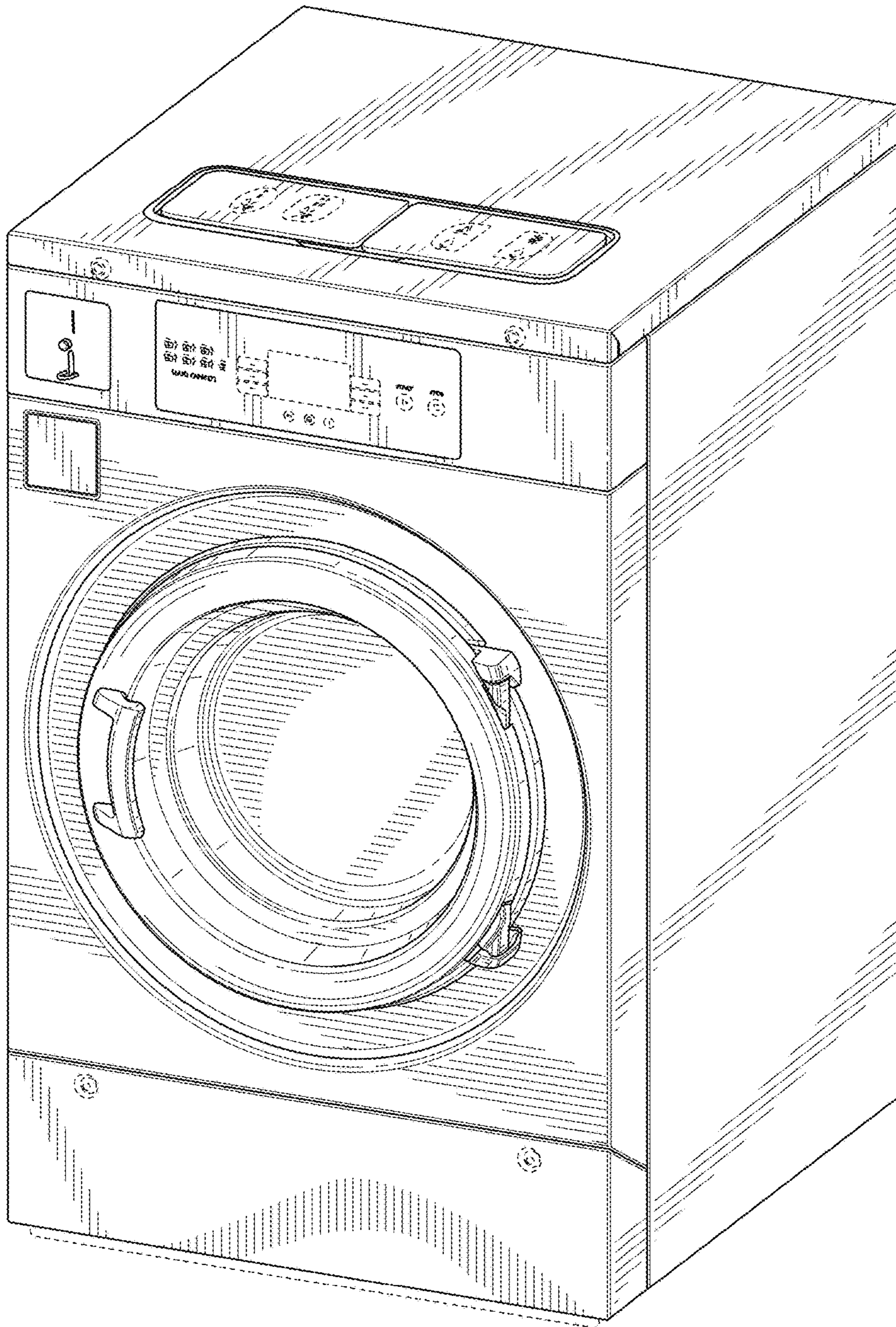


FIG. 1

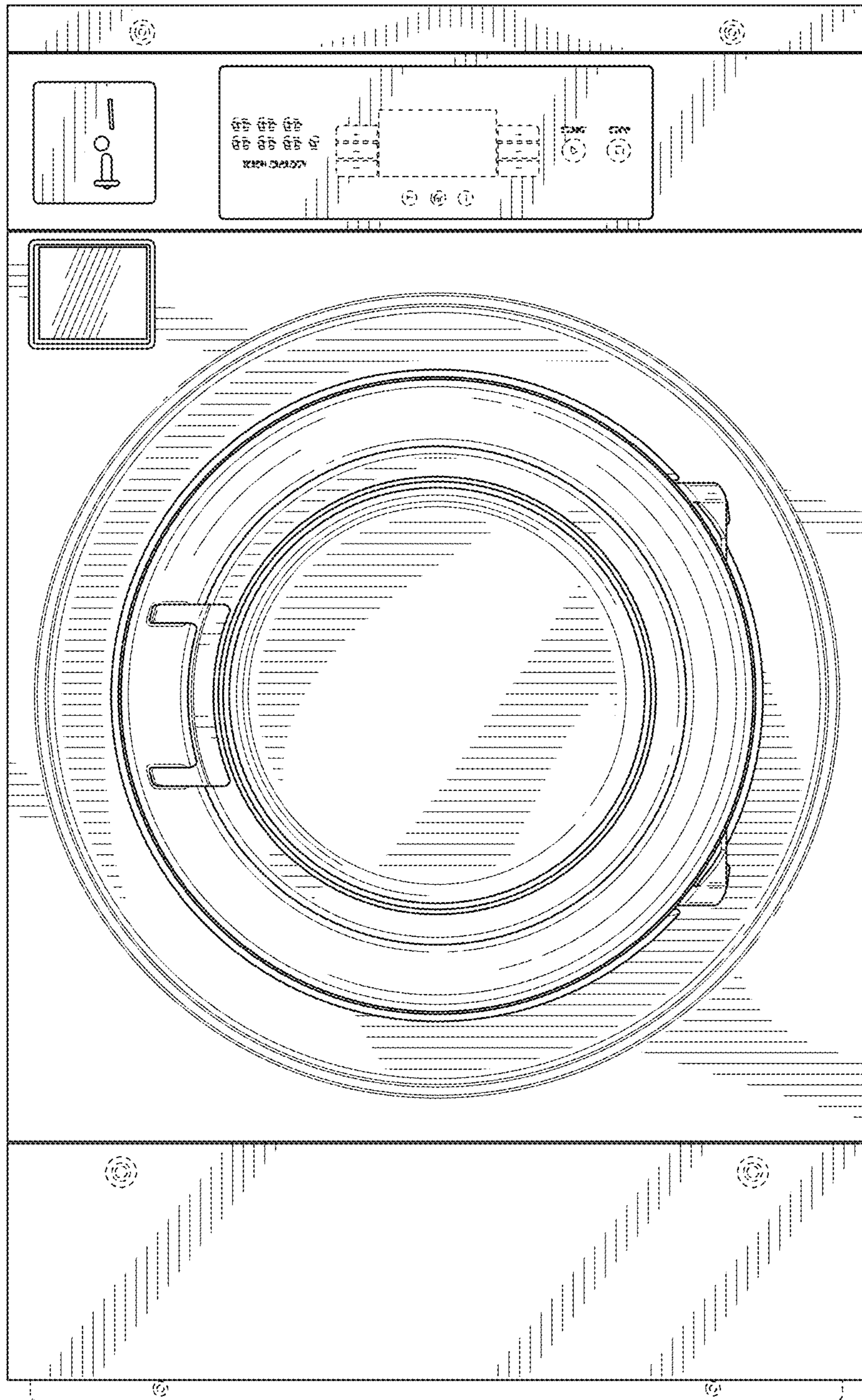


FIG. 2

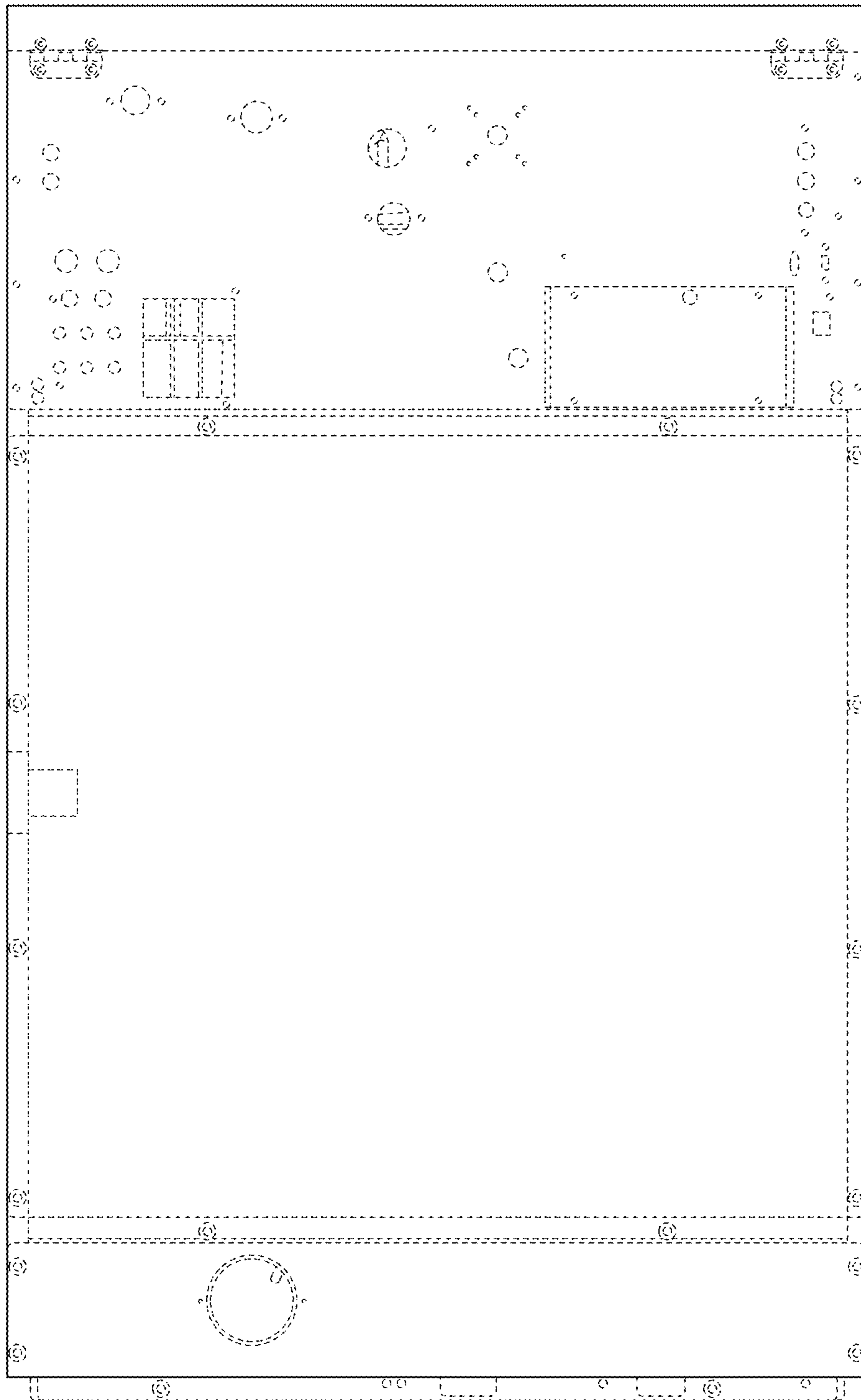


FIG. 3

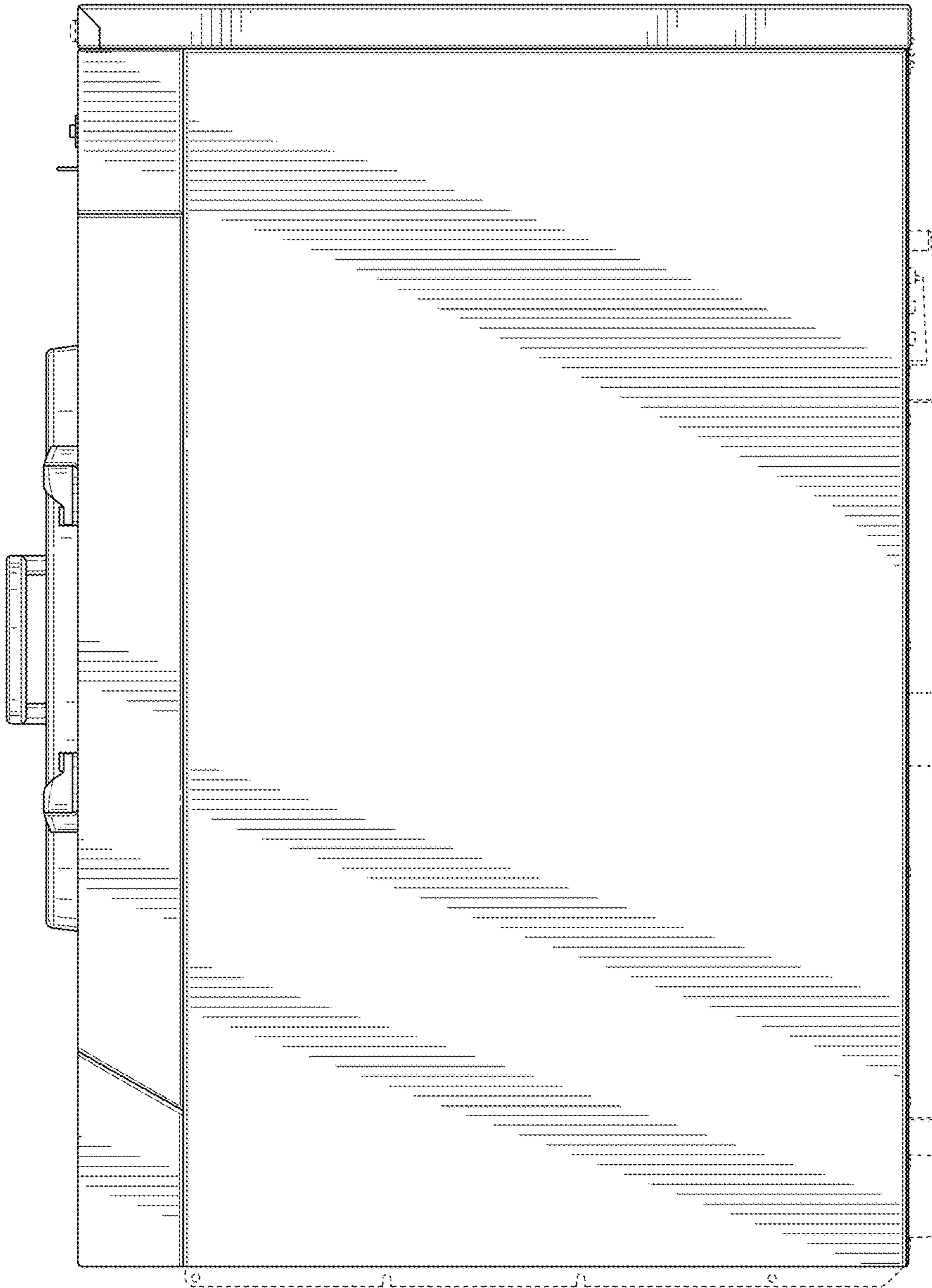


FIG. 4

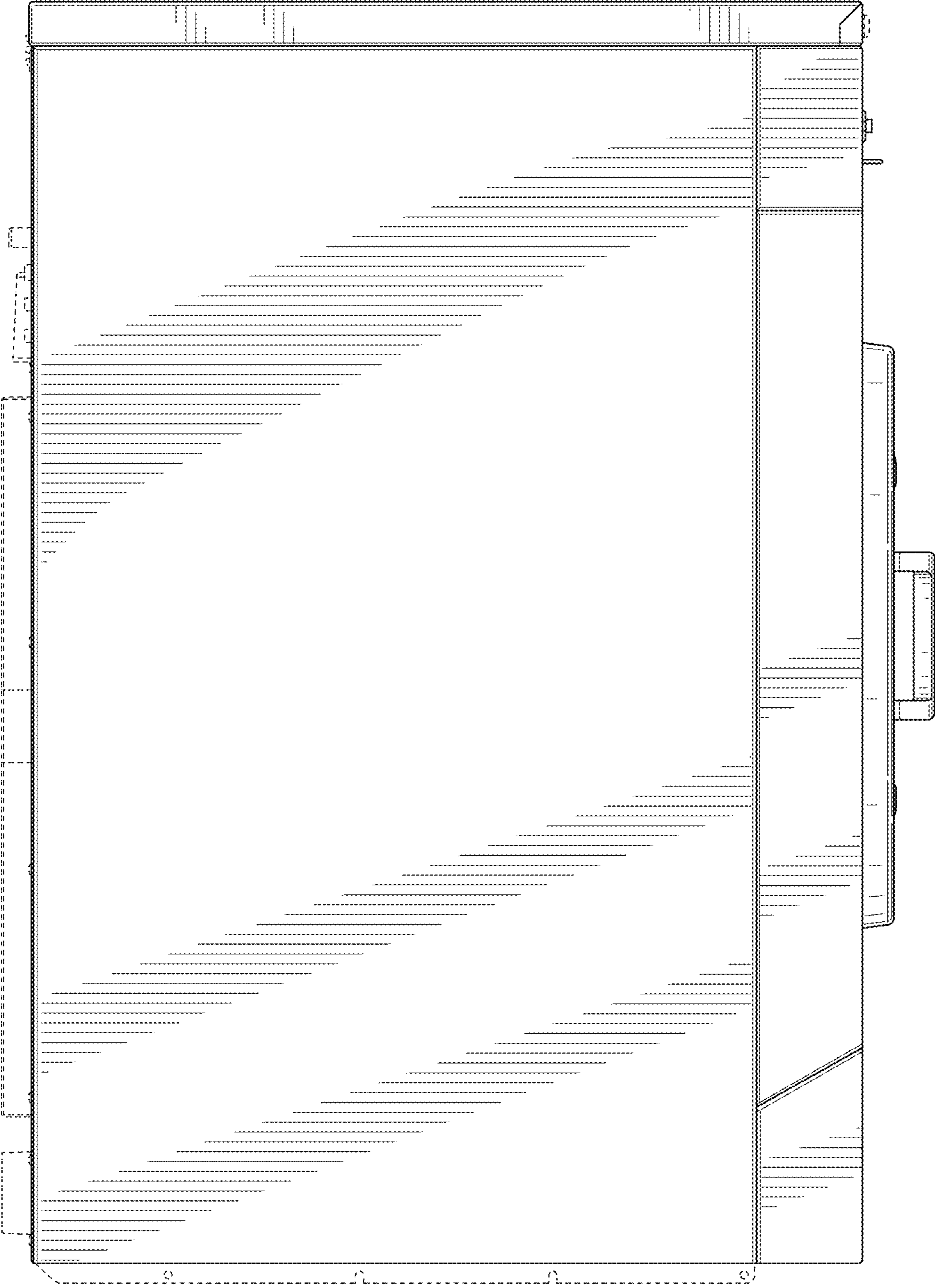


FIG. 5

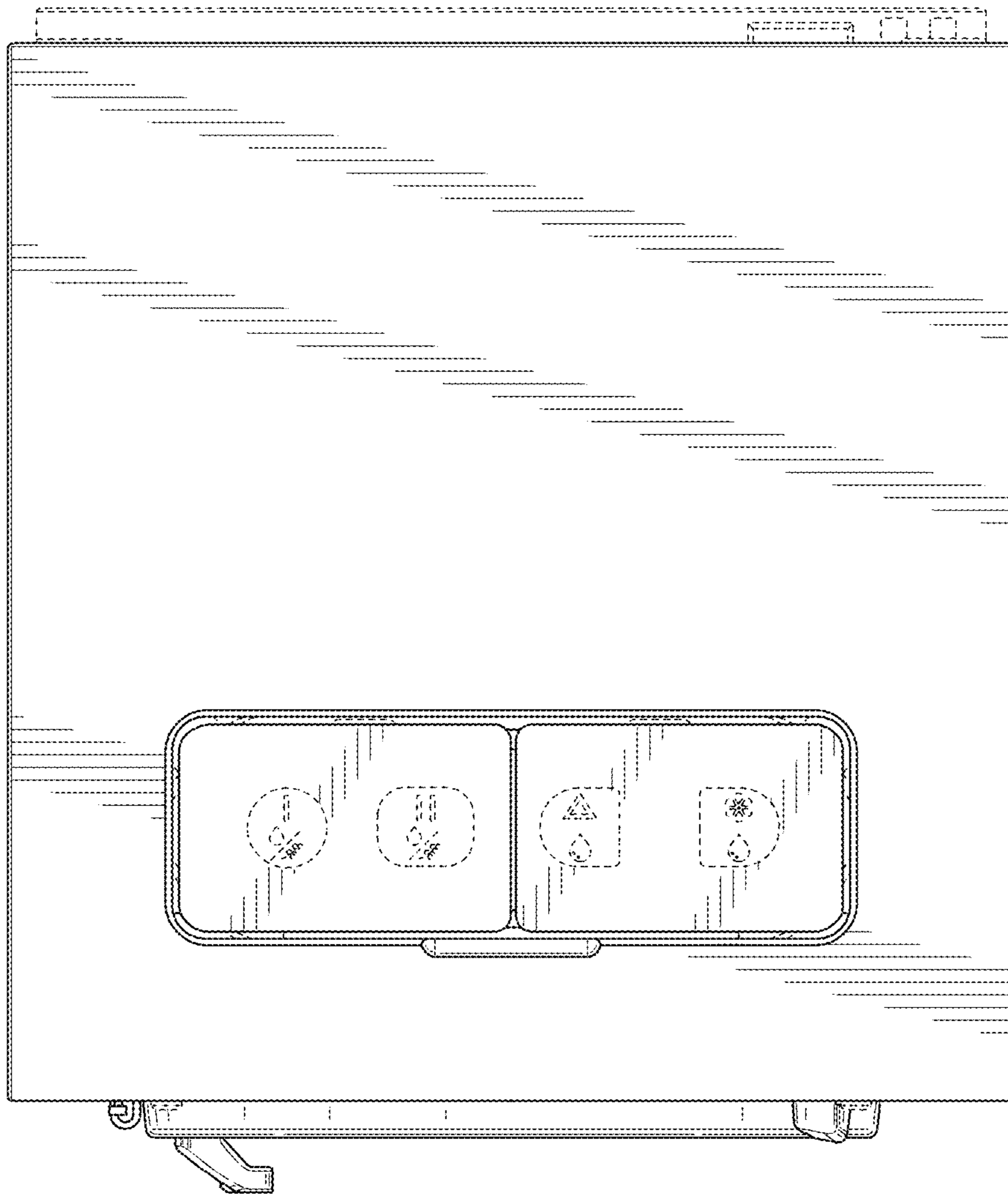


FIG. 6

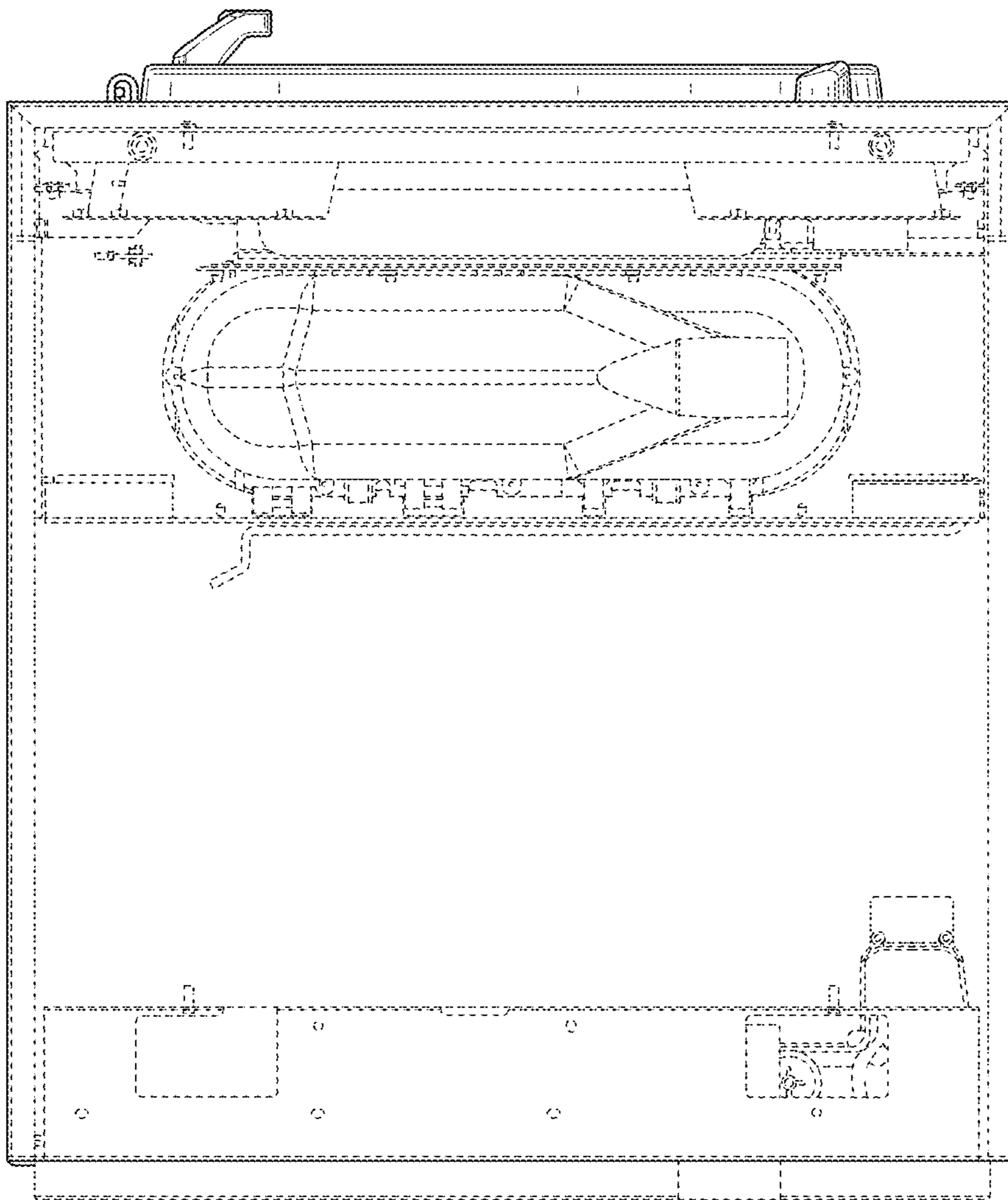


FIG. 7