



US00D858912S

(12) **United States Design Patent**
van Halder

(10) **Patent No.:** **US D858,912 S**
(45) **Date of Patent:** **** Sep. 3, 2019**

(54) **PET WASTE COLLECTOR**

Primary Examiner — Susan Moon Lee

(71) Applicant: **Josephus Johannes Maria van Halder**, Puyallup, WA (US)

(72) Inventor: **Josephus Johannes Maria van Halder**, Puyallup, WA (US)

(**) Term: **15 Years**

(21) Appl. No.: **29/651,303**

(22) Filed: **Apr. 6, 2018**

Related U.S. Application Data

(63) Continuation-in-part of application No. 29/474,646, filed on Dec. 9, 2014, now Pat. No. Des. 825,866.

(51) **LOC (12) Cl.** **09-09**

(52) **U.S. Cl.**
USPC **D30/162; D34/7**

(58) **Field of Classification Search**

USPC D34/1, 7, 11; D30/161, 162, 199; D6/512, 515, 518, 519; D3/203.5, 244, D3/201, 231, 243, 245, 251, 268, 290, D3/303; D9/702-711, 715-721, 761, D9/414, 433, 499, 416, 418, 420, 734; D24/121; 383/63, 42, 43, 93, 95, 97, 1, 383/21, 104, 121, 25, 14, 10, 61.2, 8; 604/385.02, 385.13, 358, 11, 359; 206/554, 440, 205, 438; 221/155; 229/175, 132; 294/1.3, 25, 1.5, 50.6, 294/176, 180, 58, 59; 15/227; 2/158; 493/194, 223, 226, 231, 235, 239, 346, 493/381

(Continued)

(56) **References Cited**

U.S. PATENT DOCUMENTS

359,435 A * 3/1887 Elliott B65D 3/20
229/128
1,733,219 A * 10/1929 Duvall B65D 33/10
294/1.3

(Continued)

(57) **CLAIM**

The ornamental design for a pet waste collector, as shown and described.

DESCRIPTION

FIG. 1 is a top view of a pet waste collector shown in a closed, folded flat configuration in which the detachable scooper element is initially attached to the handle component panel which is attached to the main body of the waste collector;

FIG. 2 is a bottom view of the pet waste collector of FIG. 1; FIG. 3 is a top view of the pet waste collector in an open flat configuration;

FIG. 4 is a bottom view of the pet waste collector shown in FIG. 3;

FIG. 5 is a rear perspective view of the pet waste collector in a first open expanded configuration shown with the scooper being disconnected from the handle;

FIG. 6 is a front perspective view of the pet waste collector shown in FIG. 5;

FIG. 7 is a top view of the pet waste collector shown in FIG. 5;

FIG. 8 is a bottom view of the pet waste collector shown in FIG. 5;

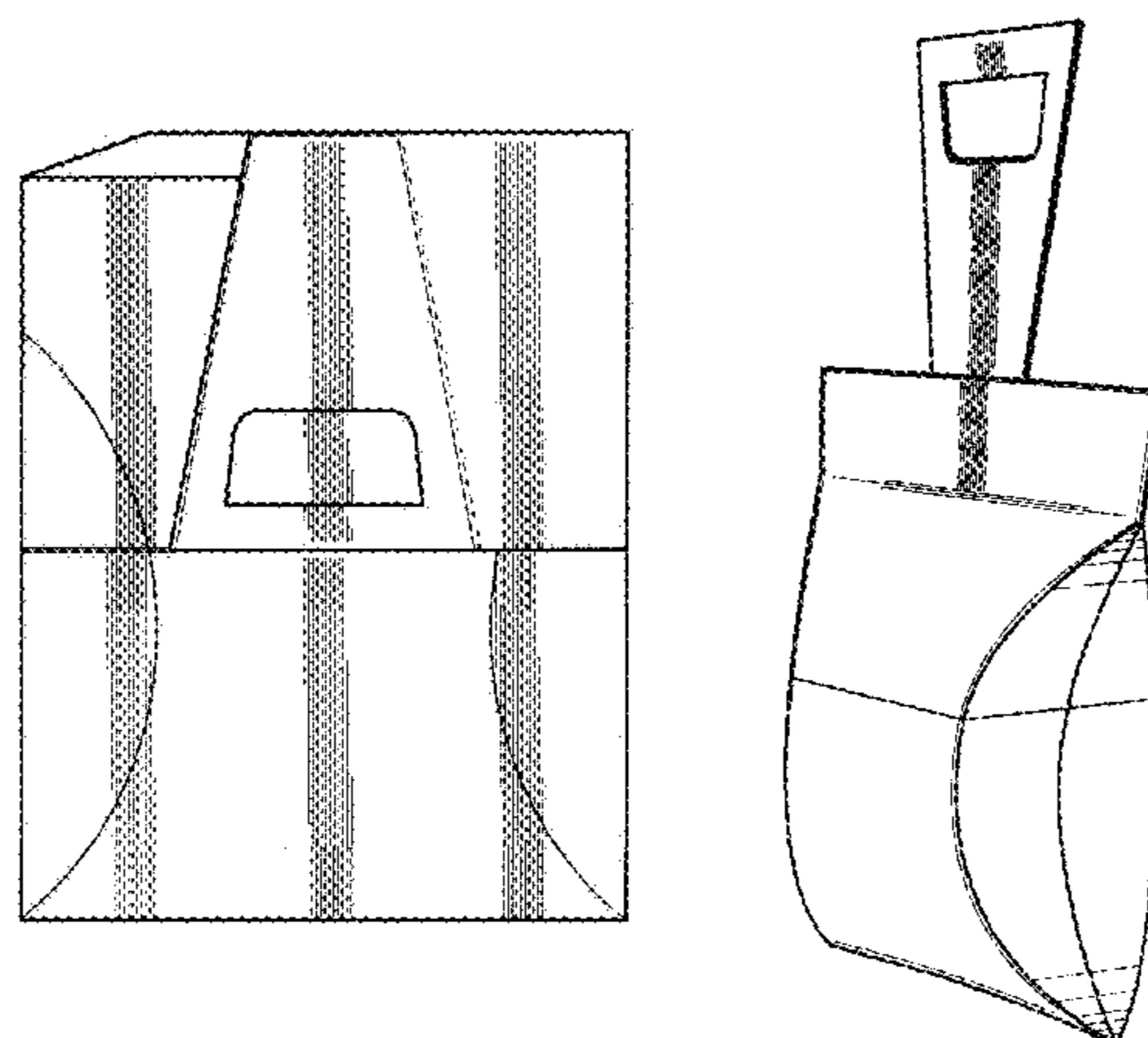
FIG. 9 is a left side view of the pet waste collector shown in FIG. 5;

FIG. 10 is a right side view of the pet waste collector shown in FIG. 5;

FIG. 11 is a perspective view of the pet waste collector in a second open, expanded configuration; and,

FIG. 12 is a perspective view of the pet waste collector in a closed expanded configuration.

1 Claim, 9 Drawing Sheets



(58) **Field of Classification Search**

CPC A61F 13/551; A61F 13/5518; A61F 13/15252; A61F 2013/55195; A61F 15/003; A41D 19/0075; A41D 19/0024; A41D 19/01; B65F 1/0006; B65F 2210/102; B65F 2240/164; B65D 33/001; B65D 33/065; B65D 33/10; B65D 33/2508; B65D 75/008-30; B65D 75/56; B65D 75/52; B65D 75/566-5883; B65D 2575/586; B65D 83/08; B65B 3/17; E01H 1/12; E01H 1/1206; E01H 2001/126; E01H 2001/128; E01H 2001/124; E01H 2001/122; E01H 2001/1226; E01H 2001/1233

See application file for complete search history.

(56)

References Cited

U.S. PATENT DOCUMENTS

2,326,648 A * 8/1943 Horr A47B 69/00
229/107
2,964,227 A * 12/1960 Goldsholl B65D 5/0209
229/128
2,966,293 A * 12/1960 Goldsholl B65D 5/0209
229/117.01
3,010,571 A * 11/1961 Transport B65D 5/0209
206/758
D202,920 S * 11/1965 Muesing D28/8.1
3,343,743 A * 9/1967 Hamilton, Jr. B65D 5/0209
229/117.24
3,381,885 A * 5/1968 Seiferth B65D 75/48
206/484
3,630,430 A * 12/1971 Struble B65D 5/18
229/104
3,637,130 A * 1/1972 Farquhar B65D 5/0209
206/562
3,676,887 A * 7/1972 Klein E01H 1/1206
15/104.8
3,739,418 A * 6/1973 Yonaites B65D 33/246
294/1.3
3,767,247 A * 10/1973 Wetzler E01H 1/1206
119/867
D231,201 S * 4/1974 Bonfitto D9/418
3,830,423 A * 8/1974 Prescott A47L 13/52
15/104.8
3,845,897 A * 11/1974 Buttery B65D 5/18
229/104
3,850,467 A * 11/1974 Johnson E01H 1/1206
15/104.8
3,877,632 A * 4/1975 Steel B65D 5/3685
229/104
D235,314 S * 6/1975 Cramphorn D9/431
3,929,222 A * 12/1975 Smith B65D 5/0209
206/783
3,971,503 A * 7/1976 Allan B65D 5/08
294/1.3
4,032,005 A * 6/1977 Vereb B65D 5/0209
206/277
D248,375 S * 7/1978 Bergstein D9/415
4,103,952 A * 8/1978 Thompson E01H 1/1206
206/216
D250,171 S * 11/1978 Yoshimoto D3/203.2
4,138,153 A * 2/1979 Brown E01H 1/1206
15/257.1
4,155,581 A * 5/1979 Kanaga A47L 13/52
294/1.3
4,205,869 A * 6/1980 Mathis E01H 1/1206
15/104.8
4,215,886 A * 8/1980 Naderi E01H 1/1206
294/1.3
4,251,097 A * 2/1981 Whitten, II E01H 1/1206
294/1.3

4,252,356 A * 2/1981 Tokuzumi E01H 1/1206
294/1.3
4,272,116 A * 6/1981 Tufte, Jr. E01H 1/1206
15/257.05
D262,943 S * 2/1982 Schadler 294/1.3
4,458,932 A * 7/1984 Resch E01H 1/1206
15/257.1
4,711,389 A * 12/1987 Alba B65D 5/18
229/120
4,741,565 A * 5/1988 Bagg E01H 1/1206
15/257.1
4,752,093 A * 6/1988 Haber E01H 1/1206
15/104.8
4,830,419 A * 5/1989 Watanabe E01H 1/1206
15/104.8
4,836,594 A * 6/1989 Spreiter E01H 1/1206
294/1.3
4,838,327 A * 6/1989 Ambler A61F 15/003
141/114
D303,500 S * 9/1989 Colla D9/414
4,865,371 A * 9/1989 Egberg E01H 1/1206
294/1.3
4,887,709 A * 12/1989 Shimamine B65D 73/0085
206/6.1
4,909,553 A * 3/1990 Hantover E01H 1/1206
15/257.1
4,974,893 A * 12/1990 Grahn E01H 1/1206
15/104.8
5,039,148 A * 8/1991 Brautovich E01H 1/1206
294/1.3
5,048,749 A * 9/1991 Wischusen, III ... B65D 75/008
229/125.02
5,054,828 A * 10/1991 Hantover E01H 1/1206
15/257.1
5,064,233 A * 11/1991 Sloan E01H 1/1206
15/257.7
5,186,384 A * 2/1993 Nelson E01H 1/1206
229/117.14
D334,255 S * 3/1993 Nelson D30/162
5,280,978 A * 1/1994 Bohn E01H 1/1206
294/1.3
5,301,870 A * 4/1994 Smith B65D 5/18
229/402
5,564,762 A * 10/1996 Ring E01H 1/1206
229/122
5,584,519 A * 12/1996 Myles E01H 1/1206
294/1.3
D386,840 S * 11/1997 Sturm 294/1.3
D389,401 S * 1/1998 Holley, Jr. D9/415
5,797,636 A * 8/1998 Hamynen E01H 1/1206
15/257.6
5,829,671 A * 11/1998 Hawk E01H 1/1206
229/103
5,865,486 A * 2/1999 Bussani E01H 1/1206
15/257.1
5,878,461 A * 3/1999 Killian A47L 13/52
15/257.1
5,979,745 A * 11/1999 Surlina B65D 5/4208
229/106
D418,261 S * 12/1999 Betts D30/162
6,036,628 A * 3/2000 Romer B65D 5/0209
493/468
D422,210 S * 4/2000 Sturkie D9/707
6,045,170 A * 4/2000 Allen E01H 1/1206
294/1.3
D423,926 S * 5/2000 Kellar D9/415
6,126,215 A * 10/2000 Jahns E01H 1/1206
294/1.3
D436,531 S * 1/2001 Holmes D9/415
6,170,740 B1 * 1/2001 Clark B65D 5/0209
229/104
D438,105 S * 2/2001 Conner D9/430
D443,749 S * 6/2001 Albuquerque D99/5
D484,972 S * 1/2004 Steele, IV D9/707
D490,943 S * 6/2004 Logan D30/162

(56)

References Cited

U.S. PATENT DOCUMENTS

6,832,796	B1 *	12/2004	Minassians	E01H 1/1206	294/1.3
D509,728	S *	9/2005	Kato	D9/415	
D519,832	S *	5/2006	Demathieu	D9/430	
D556,053	S *	11/2007	Keberlein	D9/734	
D568,763	S *	5/2008	Keberlein	D9/433	
D580,782	S *	11/2008	Murray	D9/707	
7,451,909	B2 *	11/2008	Sexton	B42D 15/045	229/128
D584,168	S *	1/2009	Murray	D9/710	
D585,736	S *	2/2009	Dowd	D9/431	
D592,504	S *	5/2009	Jacobsson	D9/435	
7,690,509	B2 *	4/2010	Herring	B60S 1/3848	206/461
D628,059	S *	11/2010	Perkins-Stanaford	D9/418	
D628,903	S *	12/2010	Caldwell	D9/711	
D640,549	S *	6/2011	Atkin	D9/431	
D640,551	S *	6/2011	Perkins-Stanaford	D9/431	
D695,101	S *	12/2013	Keberlein	D9/416	
D711,218	S *	8/2014	Jacobs	D9/414	
9,102,436	B2 *	8/2015	Rajter, Jr.	B65D 5/103	
D766,081	S *	9/2016	Adler	A45C 7/0095	D9/414
D772,075	S *	11/2016	Bell	D9/708	
D784,804	S *	4/2017	Peers	D9/415	
9,845,173	B2 *	12/2017	Herman	B65D 1/265	
D814,916	S *	4/2018	Hoekstra	D9/414	
D825,866	S *	8/2018	van Halder	D30/162	
2003/0190097	A1 *	10/2003	Hajianpour	B65D 33/007	383/9
2003/0222465	A1 *	12/2003	Fonfrias	E01H 1/1206	294/1.3
2005/0006914	A1 *	1/2005	Turner	E01H 1/1206	294/1.3
2006/0260554	A1 *	11/2006	Lau	E01H 1/1206	119/161
2006/0279097	A1 *	12/2006	Jones	E01H 1/1206	294/1.3
2007/0245970	A1 *	10/2007	You	E01H 1/1206	119/161
2008/0048463	A1 *	2/2008	Selenke	E01H 1/1206	294/1.3
2008/0106108	A1 *	5/2008	Lau	E01H 1/1206	294/1.3
2008/0279482	A1 *	11/2008	Kai	E01H 1/1206	383/1
2009/0072558	A1 *	3/2009	Hanson	E01H 1/1206	294/1.3
2009/0121502	A1 *	5/2009	Lau	E01H 1/1206	294/1.3
2009/0278365	A1 *	11/2009	Hawks	E01H 1/1206	294/1.3
2010/0045056	A1 *	2/2010	Greenhut	E01H 1/1206	294/1.3
2010/0237640	A1 *	9/2010	Chia	E01H 1/1206	294/1.3
2012/0153648	A1 *	6/2012	Lacer	E01H 1/1206	294/1.3
2012/0174869	A1 *	7/2012	Deppieri	E01H 1/1206	119/161
2014/0265379	A1 *	9/2014	Joseph-de Saram	E01H 1/1206	294/1.3
2014/0265380	A1 *	9/2014	Joseph-de Saram	E01H 1/1206	294/1.3
2014/0265381	A1 *	9/2014	Joseph-de Saram	E01H 1/1206	294/1.3
2016/0244924	A1 *	8/2016	Schneider	E01H 1/1206	
2017/0037589	A1 *	2/2017	Rivadeneira	E01H 1/0836	

* cited by examiner

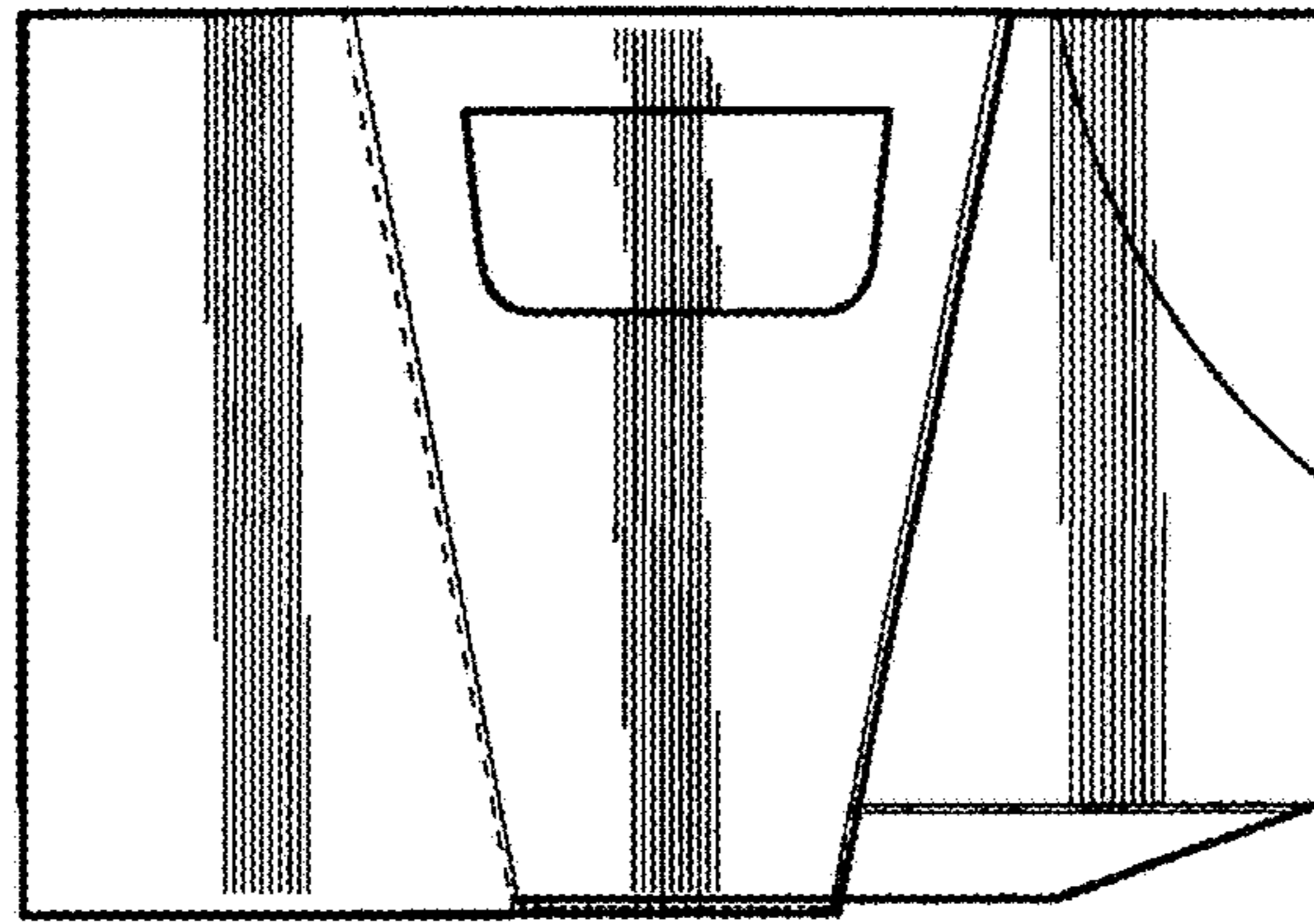


FIG. 1

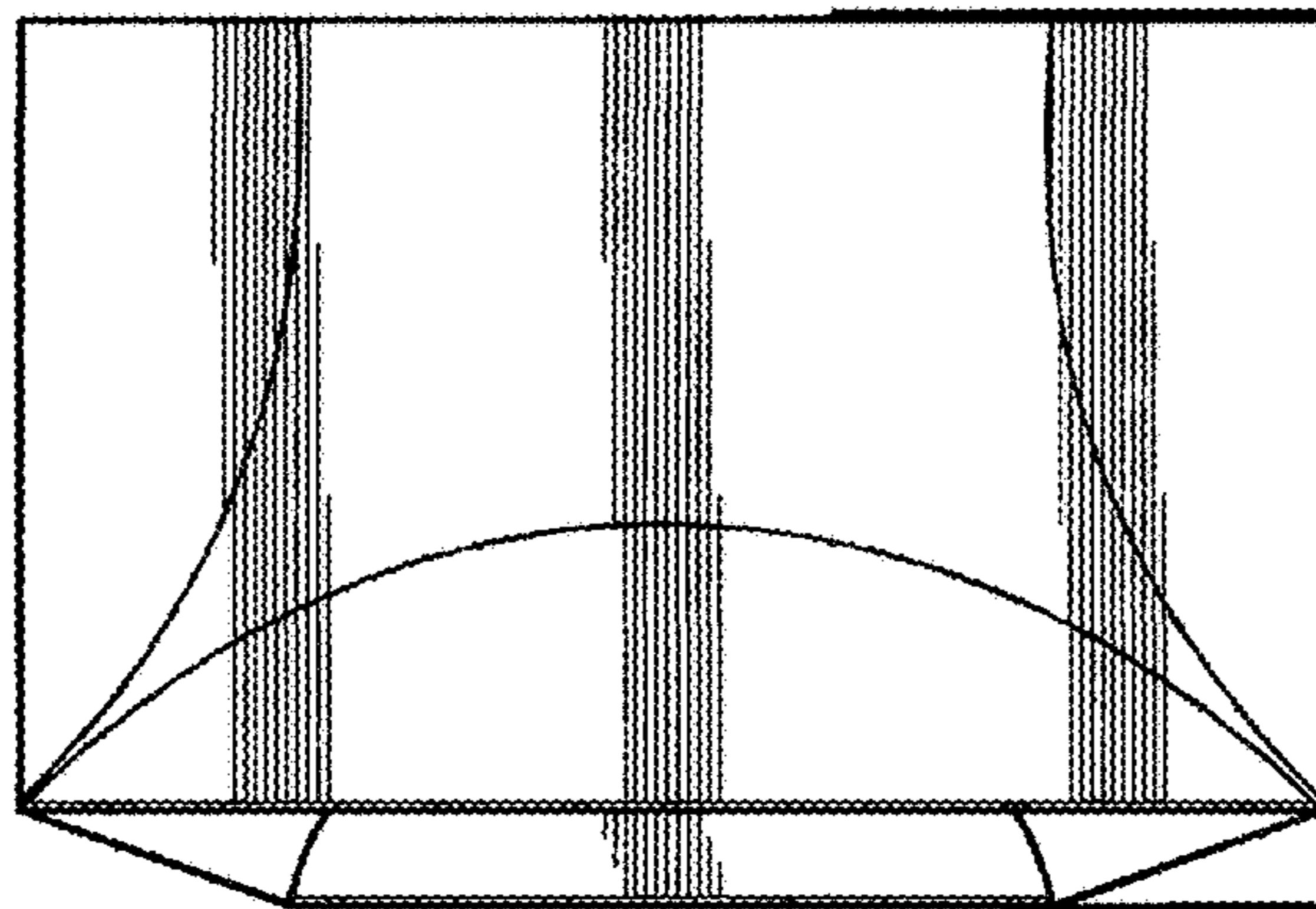


FIG. 2

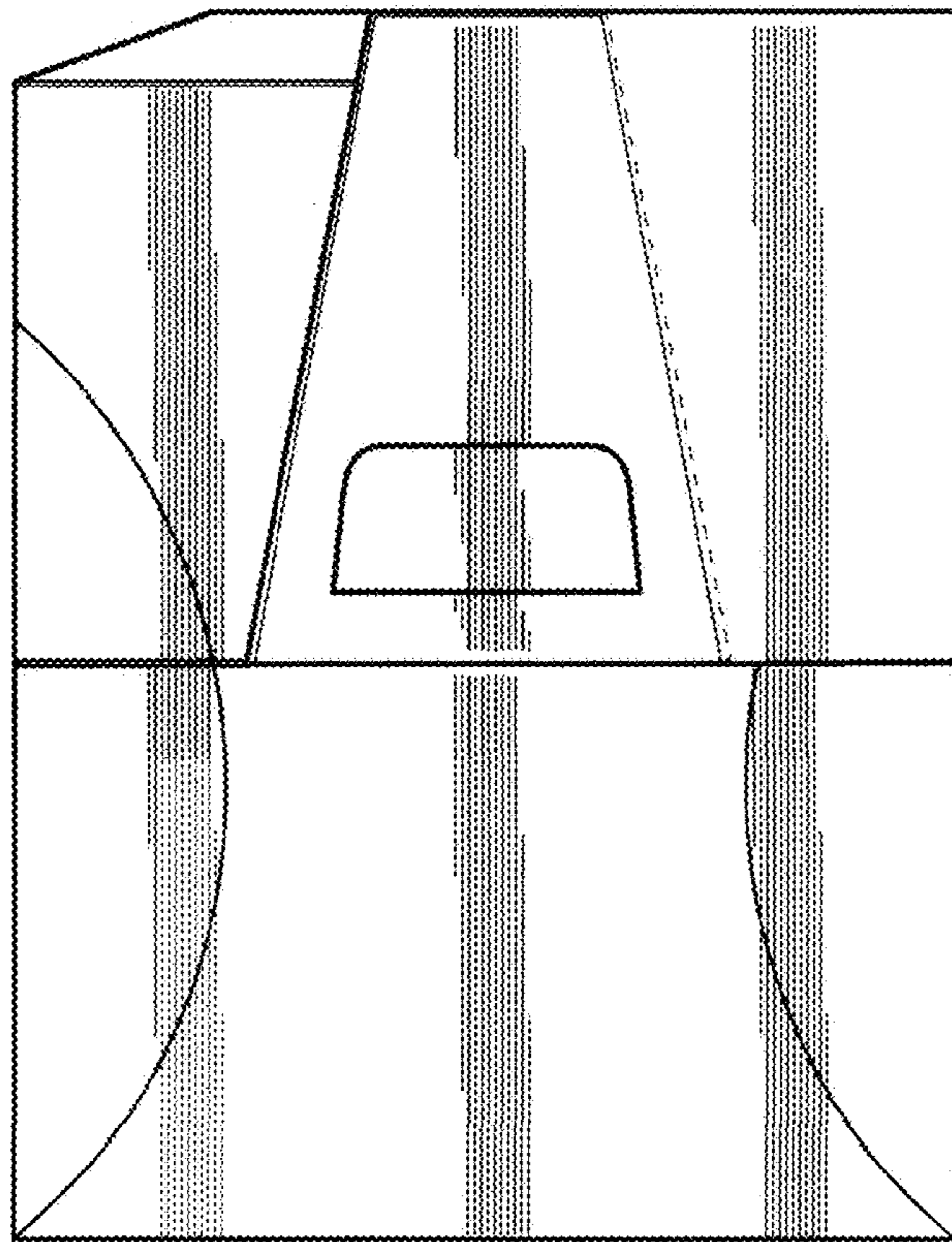


FIG. 3

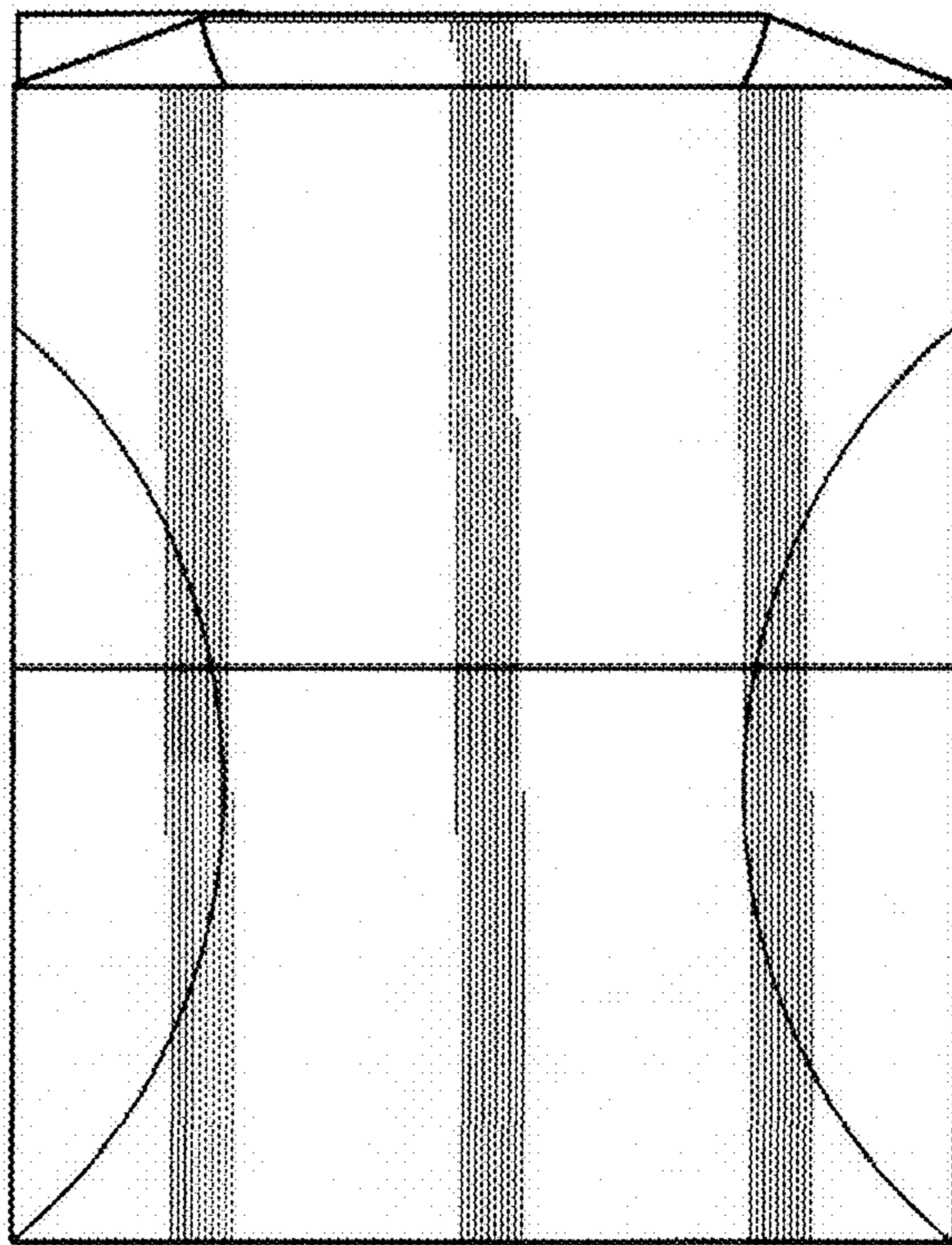


FIG. 4

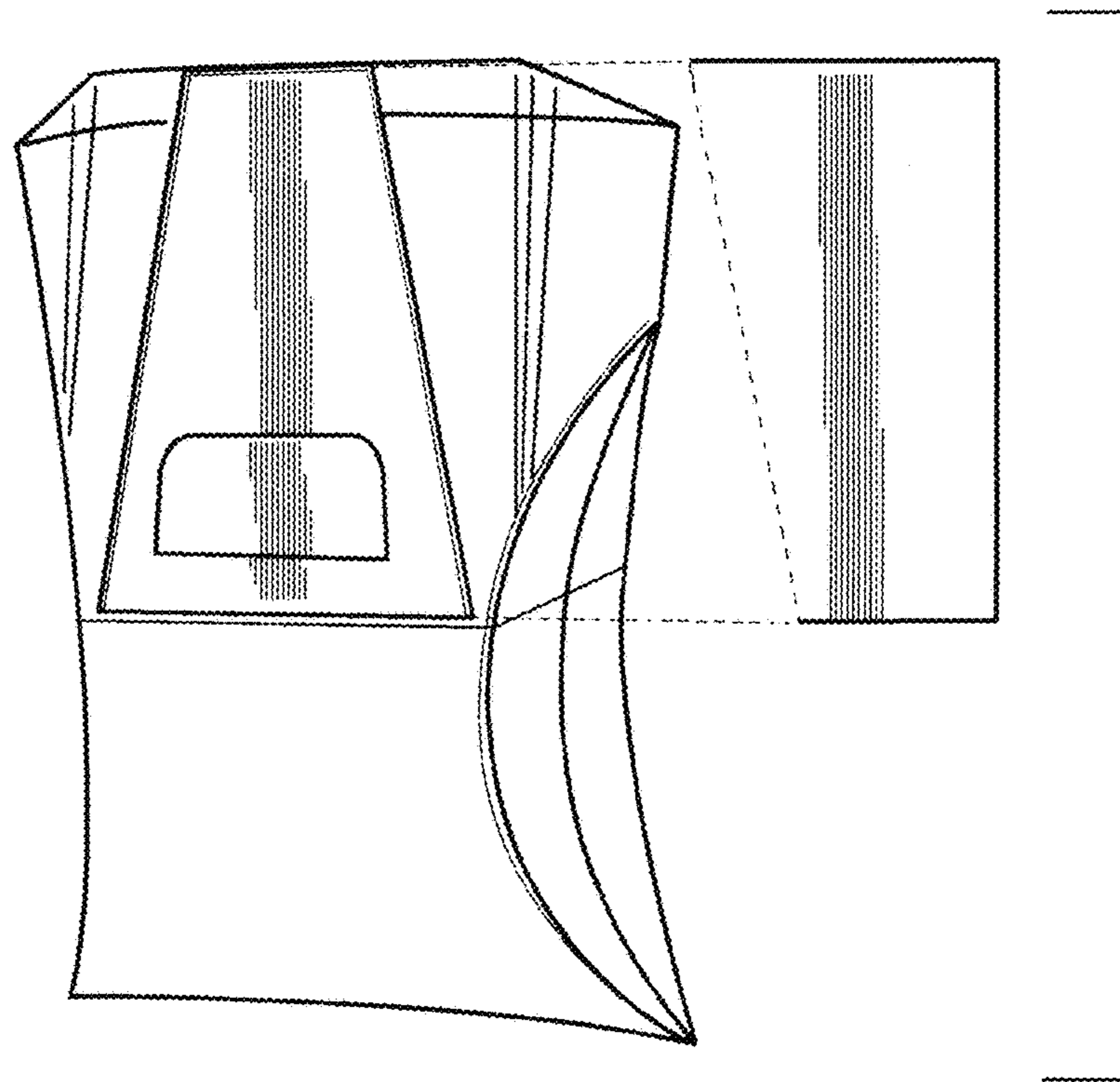


FIG. 5

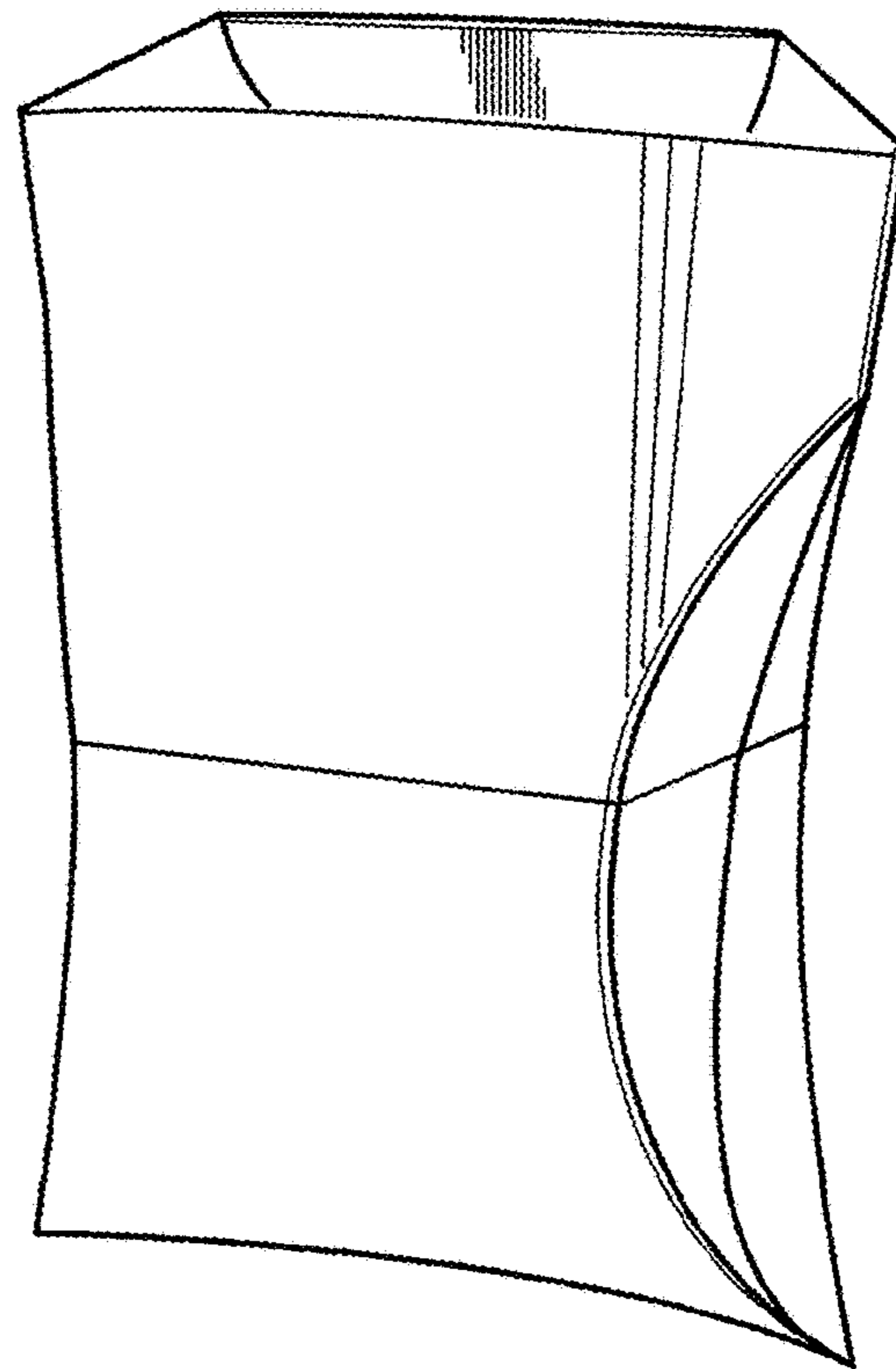


FIG. 6

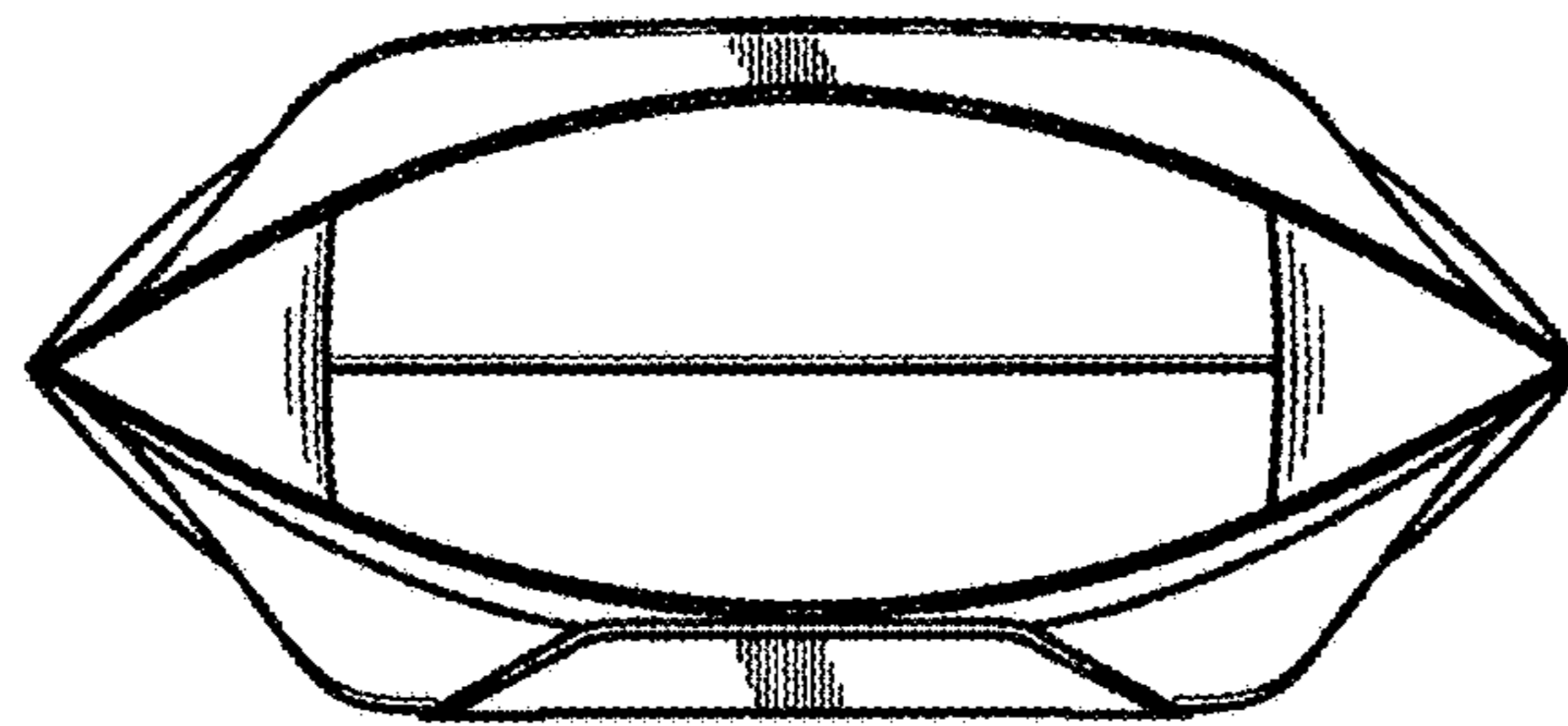


FIG. 7

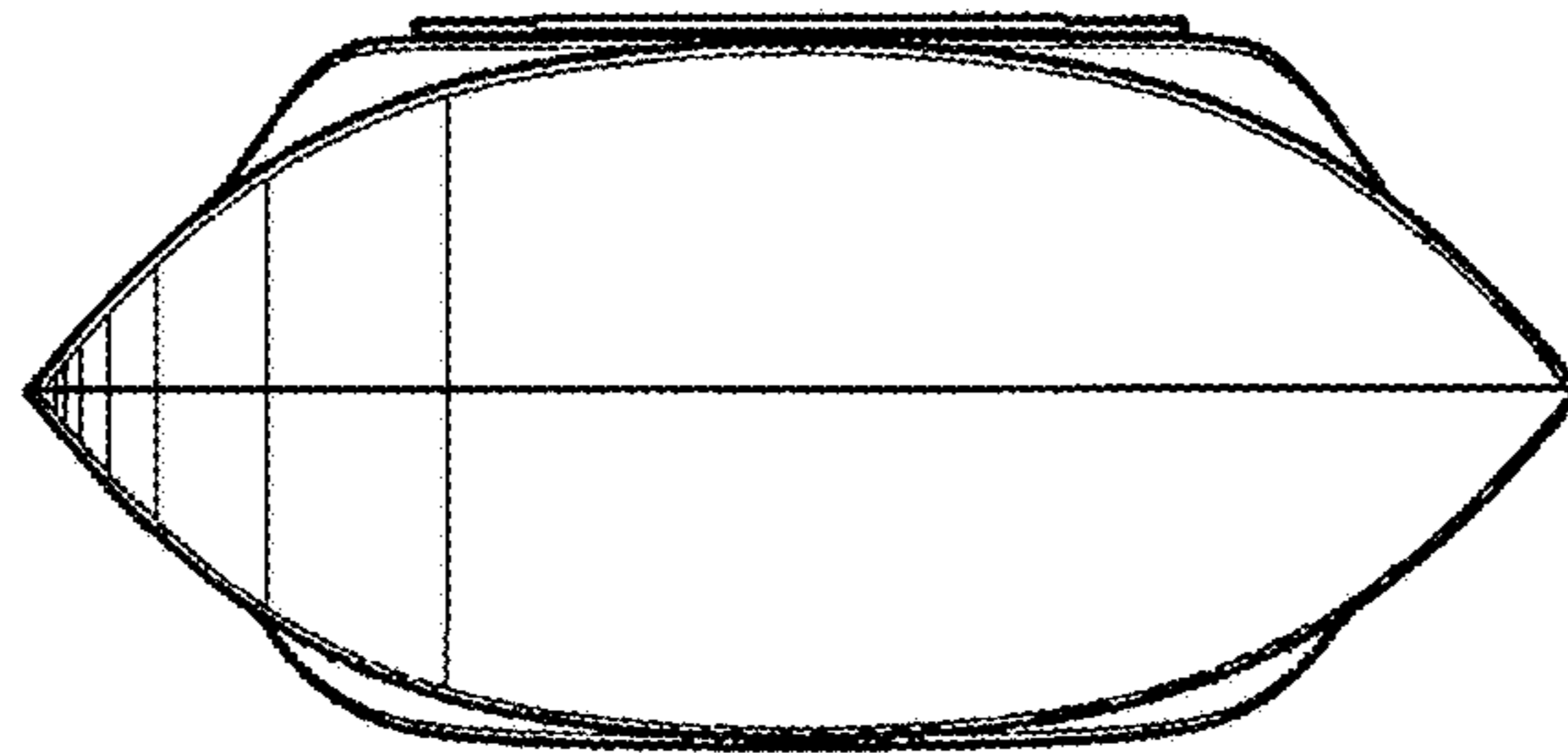


FIG. 8

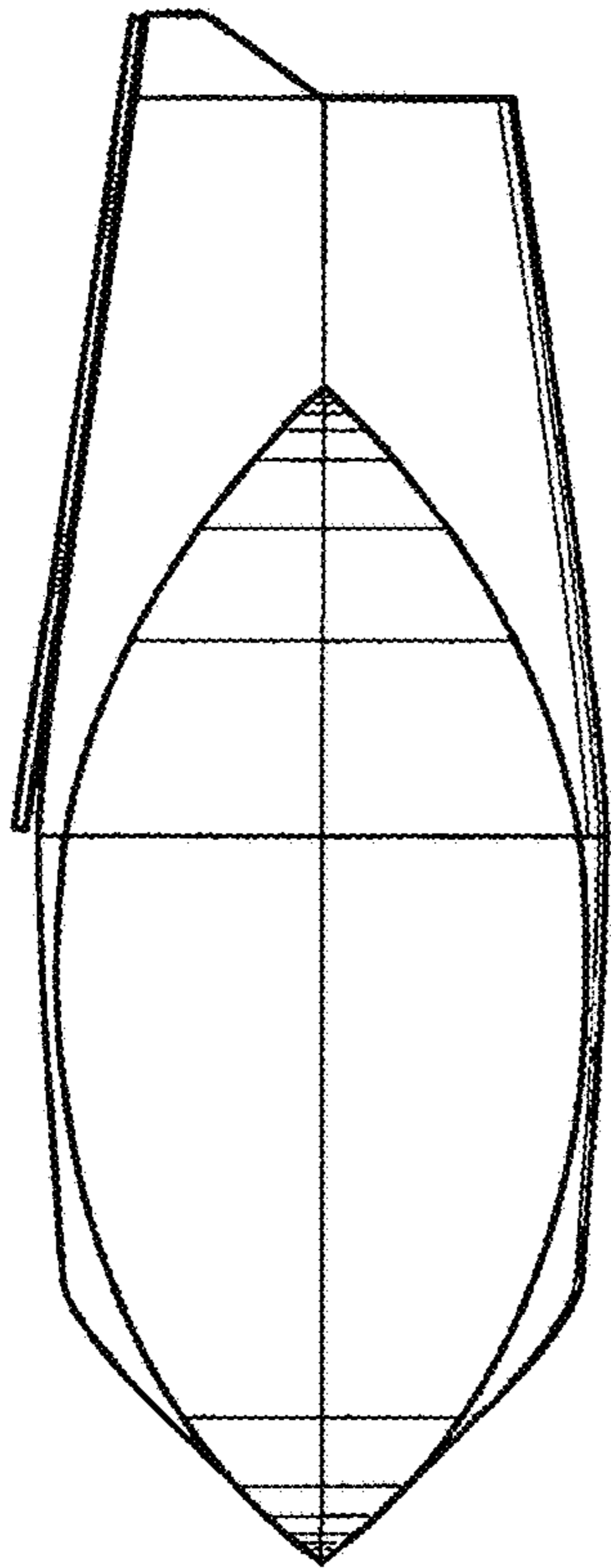


FIG. 10

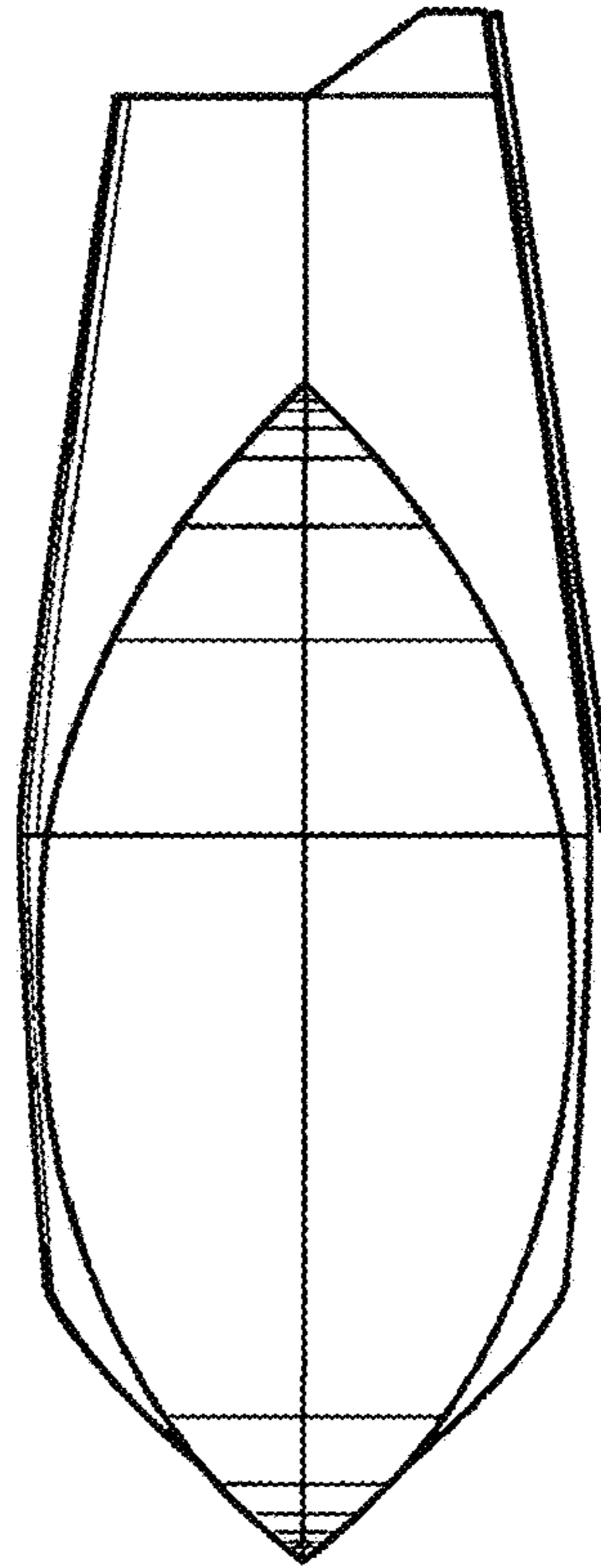


FIG. 9

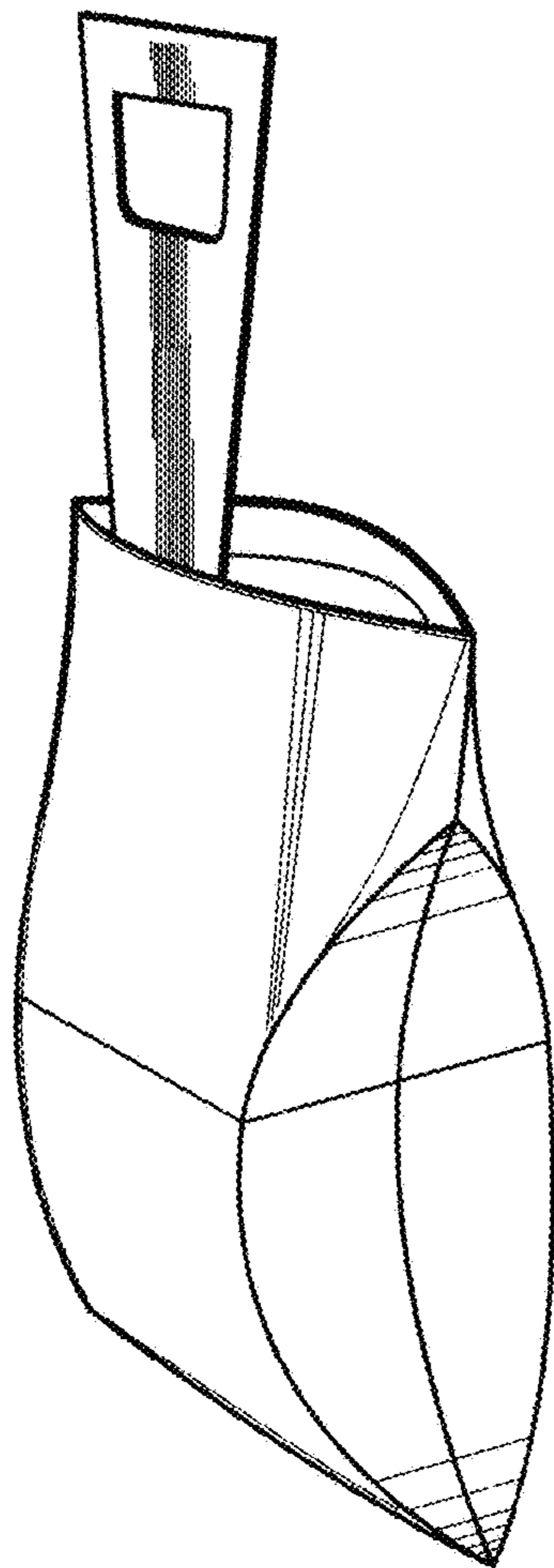


FIG. 11

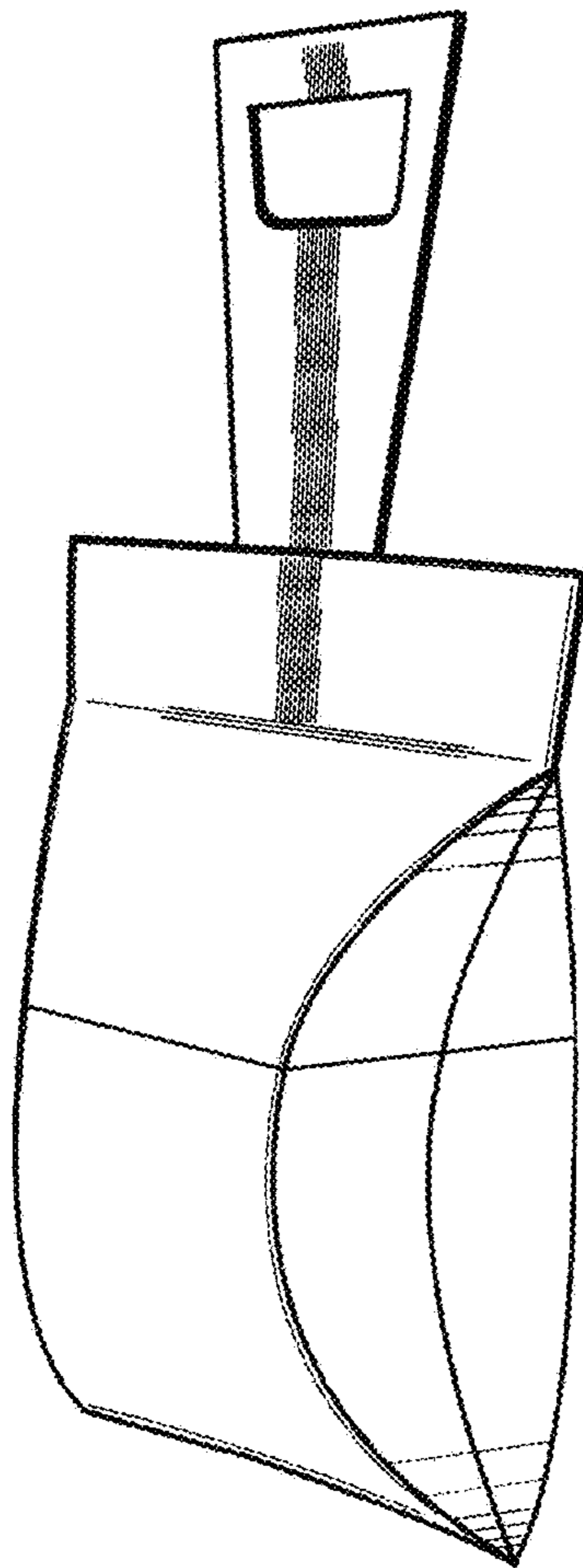


FIG. 12