



US00D858910S

(12) **United States Design Patent** (10) **Patent No.:** **US D858,910 S**
Itzhak-Sigron et al. (45) **Date of Patent:** **** Sep. 3, 2019**

(54) **PLAY HOUSE FOR ANIMALS**
(71) Applicant: **Keter Plastic Ltd.**, Herzelyia (IL)
(72) Inventors: **Reut Itzhak-Sigron**, Ein Sarid (IL);
Daniel Rasenberg, Oosterhout (NL)
(73) Assignee: **KETER PLASTIC LTD.**, Herzelyia
(IL)
(**) Term: **15 Years**

D338,571 S * 8/1993 Singer D6/407
D423,171 S * 4/2000 Alcala D34/19
D444,177 S * 6/2001 Carretta D19/77
D473,396 S * 4/2003 Ong D6/407
D483,200 S * 12/2003 Udommahuntisuk D6/407
D551,070 S * 9/2007 Wallwork D9/414
D554,303 S * 10/2007 Linehan D30/160
D606,714 S * 12/2009 Kellogg D30/160
D614,820 S * 4/2010 Kellogg D30/160
D616,044 S * 5/2010 Tervo D21/499
D629,920 S * 12/2010 Tezak D25/114

(Continued)

(21) Appl. No.: **29/657,591**
(22) Filed: **Jul. 24, 2018**

Primary Examiner — Barbara Fox
Assistant Examiner — Mehri F Bajoul
(74) *Attorney, Agent, or Firm* — Vorys, Sater, Seymour & Pease LLP

Related U.S. Application Data

(62) Division of application No. 29/583,857, filed on Nov. 9, 2016.

(57) **CLAIM**

The ornamental design for a play house for animals, as shown and described.

(30) **Foreign Application Priority Data**

May 11, 2016 (IL) 58535

DESCRIPTION

(51) **LOC (12) Cl.** **30-99**
(52) **U.S. Cl.**
USPC **D30/160**
(58) **Field of Classification Search**
USPC D30/108, 118, 119, 158, 160–161;
119/119, 19, 29, 482, 622, 702, 708
CPC .. A01K 15/025; A01K 15/026; A01K 15/027;
A01K 15/024
See application file for complete search history.

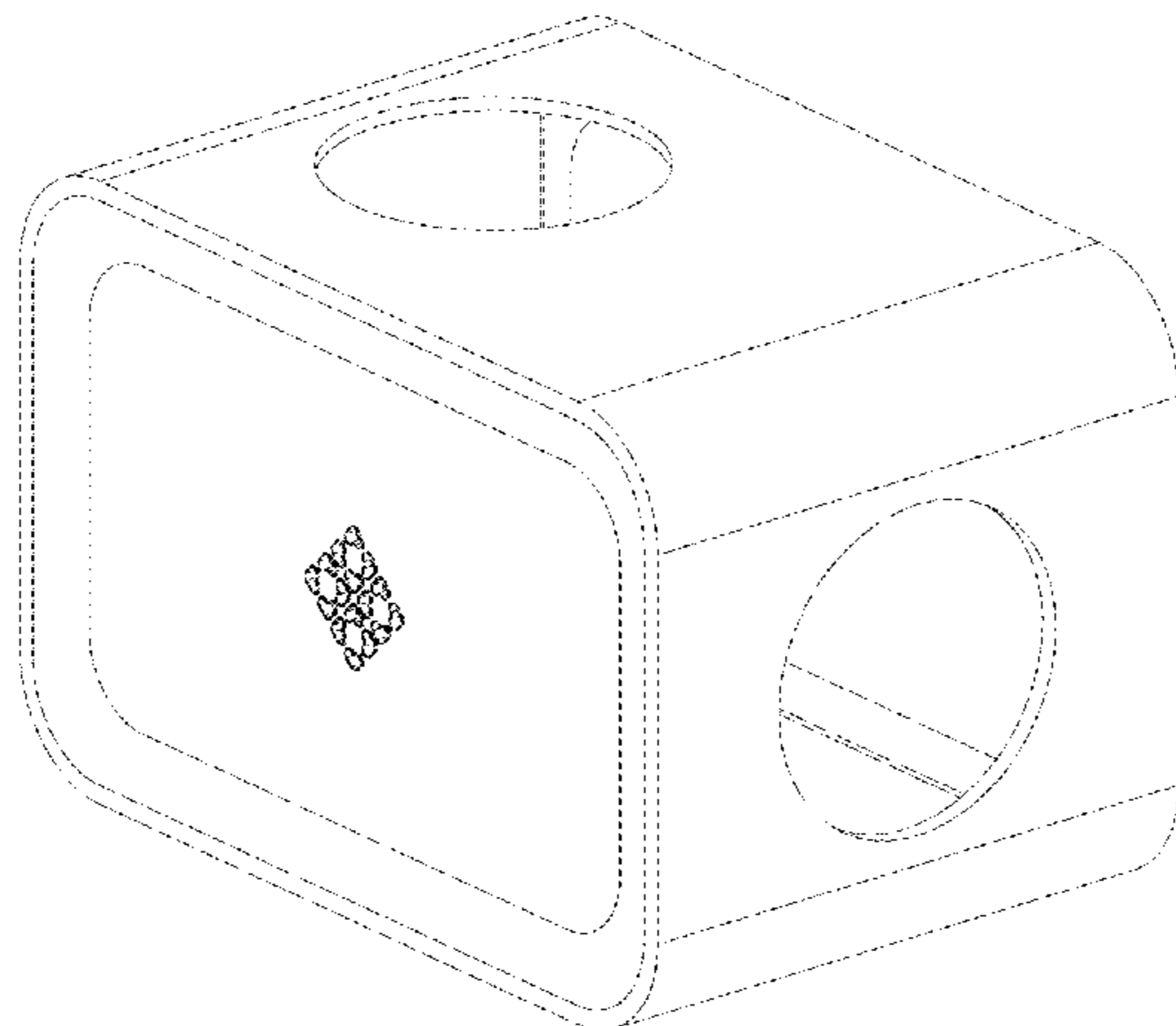
FIG. 1 is a front left perspective view of a play house for animals showing the new design, shown in a first embodiment;
FIG. 2 is a front elevational view thereof, rear elevational view being identical to FIG. 2;
FIG. 3 is a side elevational view thereof, other side elevational view being identical to FIG. 3;
FIG. 4 is a top plan view thereof, bottom plan view being identical to FIG. 4;
FIG. 5 is a front right perspective view of the play house for animals, shown in a second embodiment;
FIG. 6 is a front elevational view thereof, rear elevational view being identical to FIG. 6;
FIG. 7 is a side elevational view thereof, other side elevational view being identical to FIG. 7; and,
FIG. 8 is a top plan view thereof, bottom plan view being identical to FIG. 8.

(56) **References Cited**

U.S. PATENT DOCUMENTS

D231,786 S * 6/1974 Burnley 119/265
D231,787 S * 6/1974 Burnley 119/265
4,177,761 A * 12/1979 Bellocchi, Jr. A01K 1/035
119/482
D334,637 S * 4/1993 Mitchell D30/160
D334,815 S * 4/1993 Bunger D21/501

1 Claim, 8 Drawing Sheets



(56)

References Cited

U.S. PATENT DOCUMENTS

D648,079 S * 11/2011 Haaf D30/160
8,113,149 B2 * 2/2012 Quinn A01K 15/025
119/622
D675,513 S * 2/2013 Sawa D8/397
D726,971 S * 4/2015 Itzhak-Sigron D30/118
D774,707 S * 12/2016 Kellogg D30/160
D789,622 S * 6/2017 Kellogg D30/160
D792,758 S * 7/2017 Olayiwola D9/418
D802,850 S * 11/2017 Spaile D30/119
2012/0234252 A1 * 9/2012 Donta A01K 1/0125
119/168

* cited by examiner

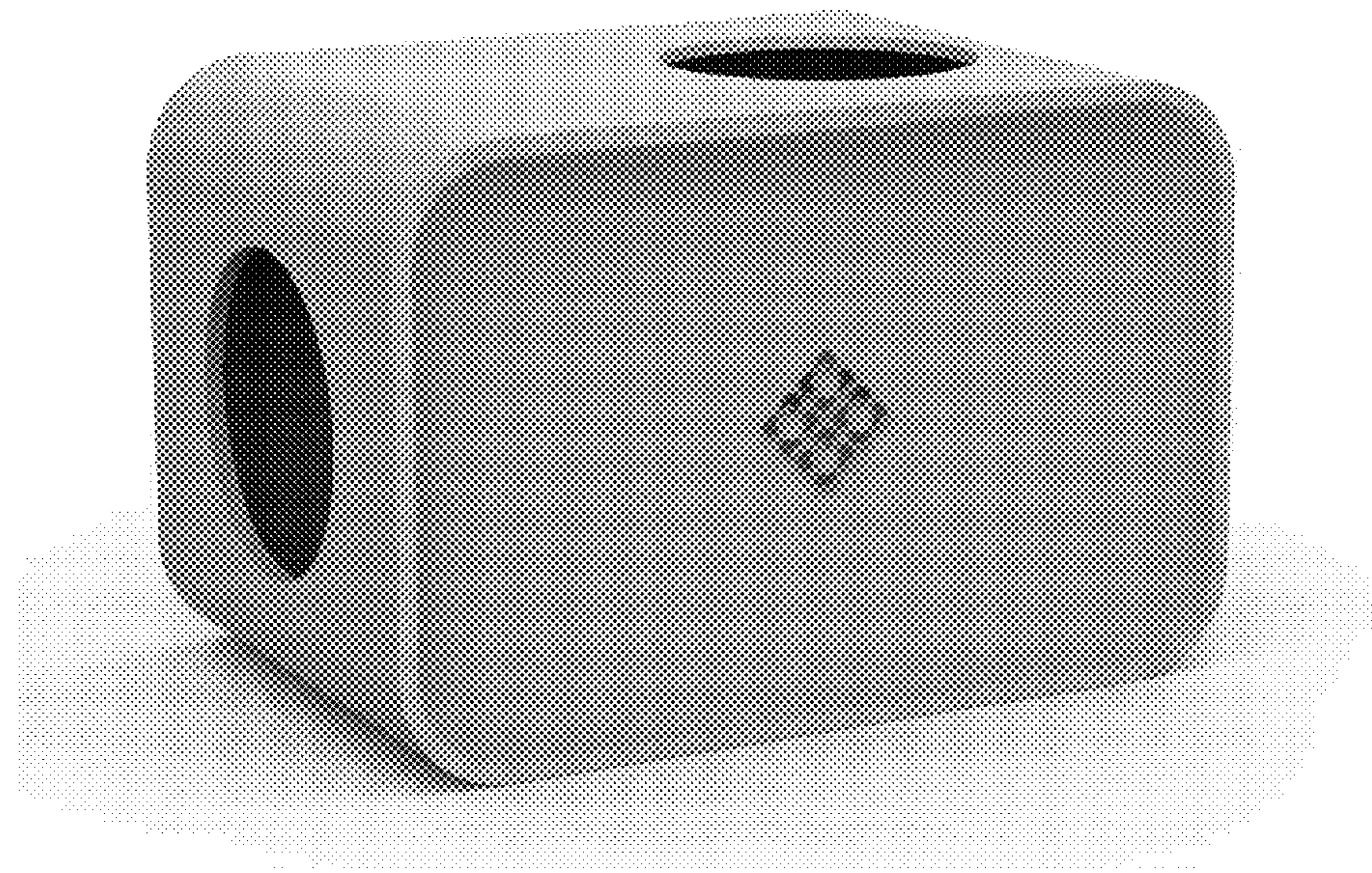


FIG. 1

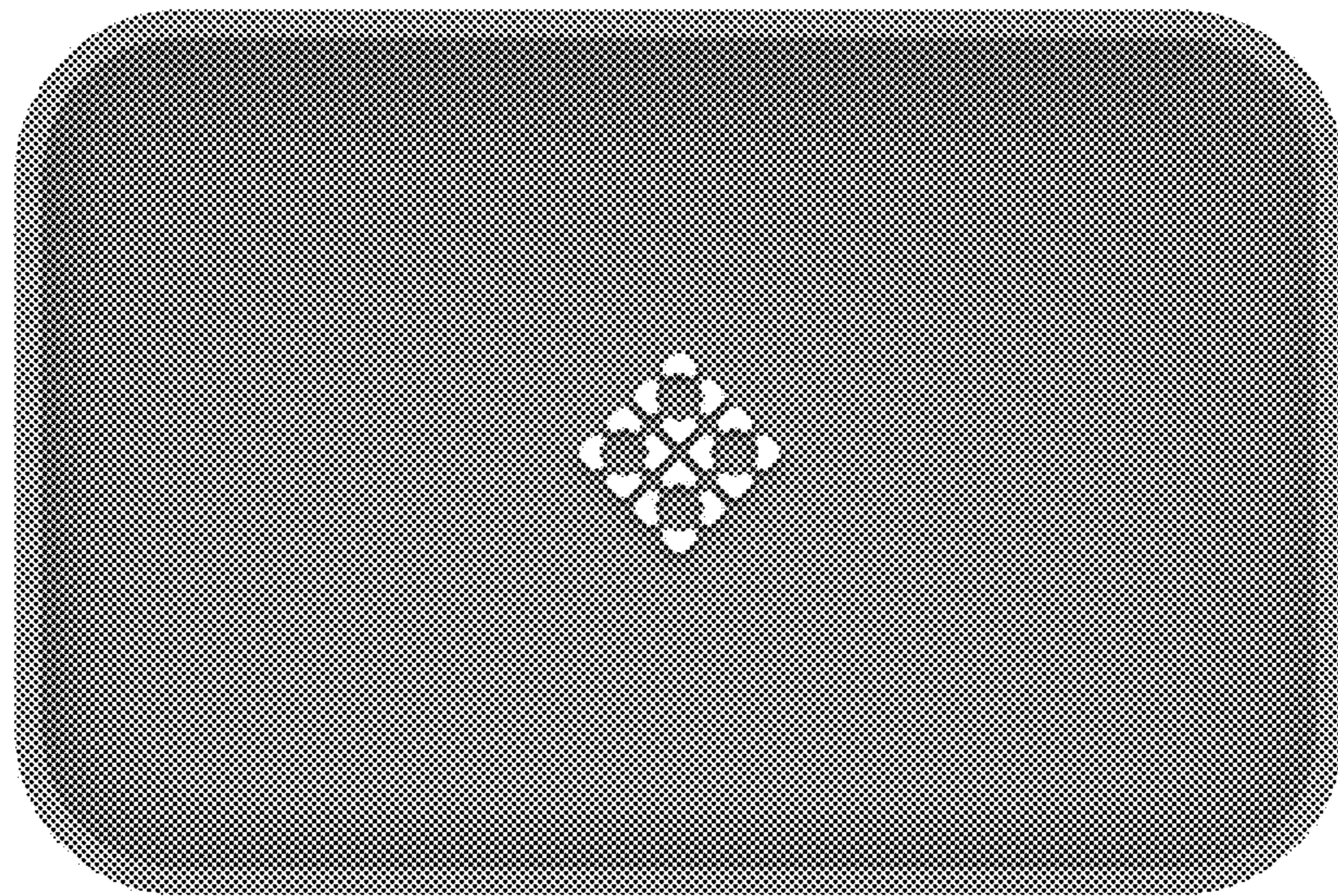


FIG. 2

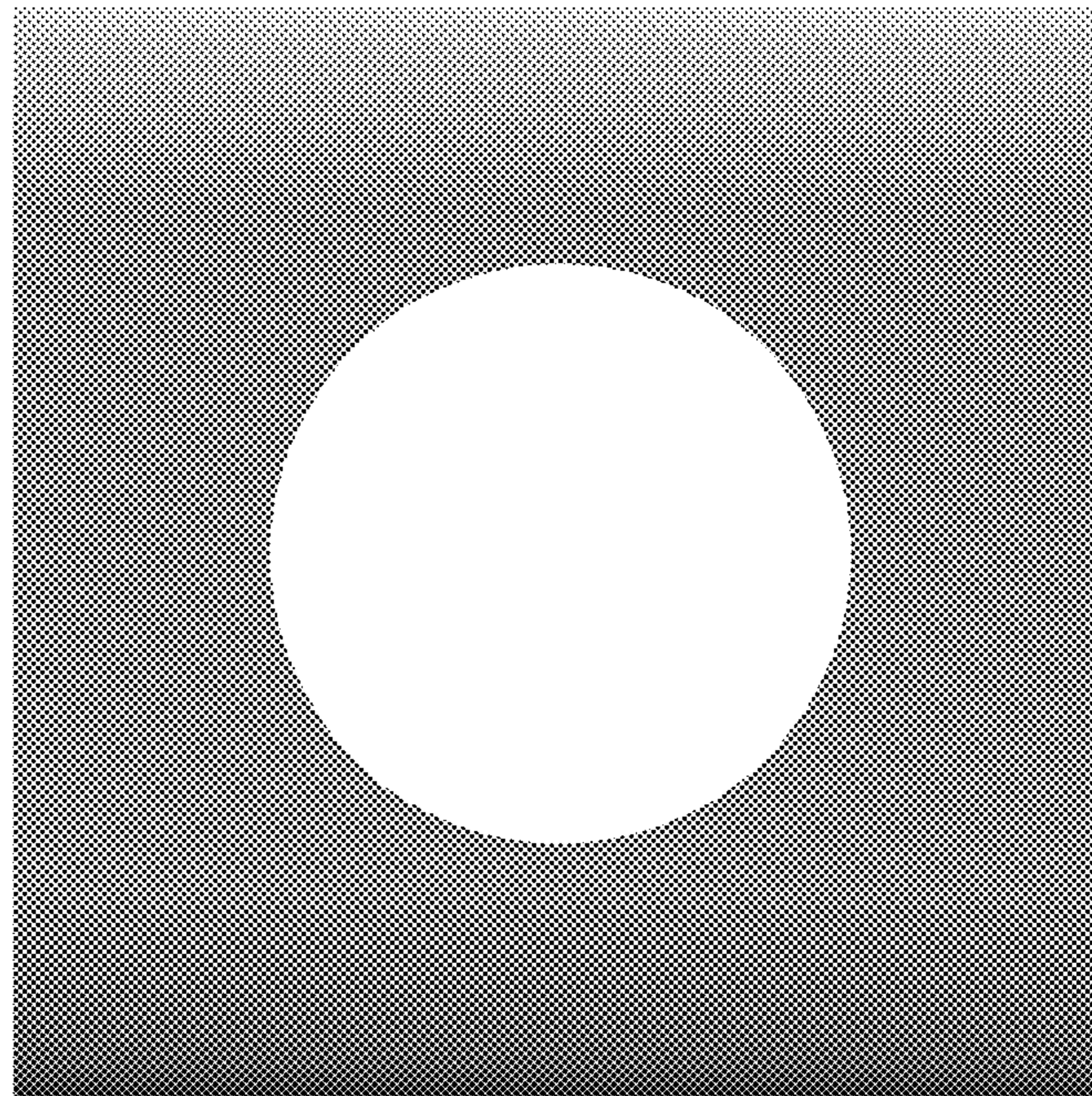


FIG. 3

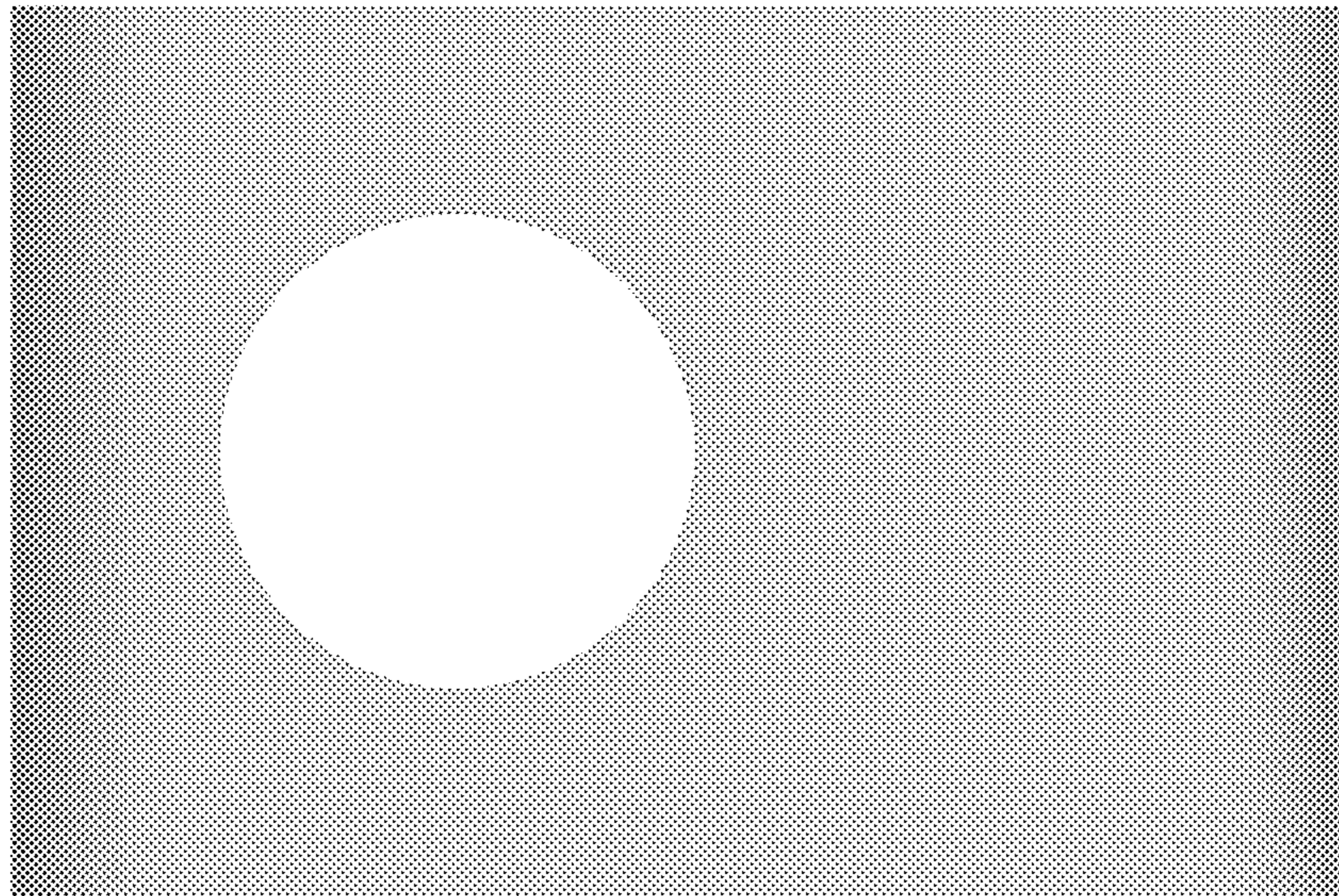


FIG. 4

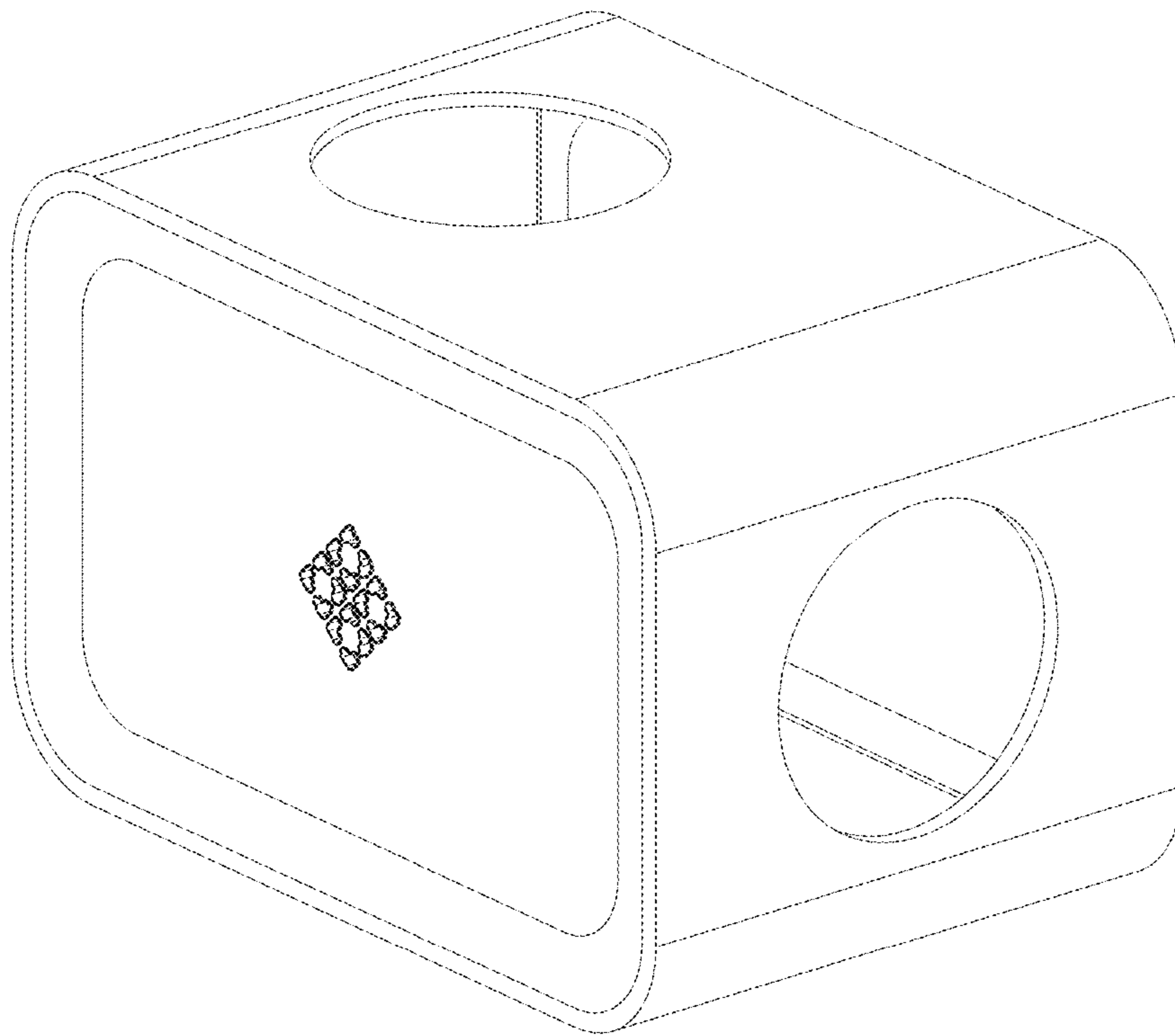


FIG. 5

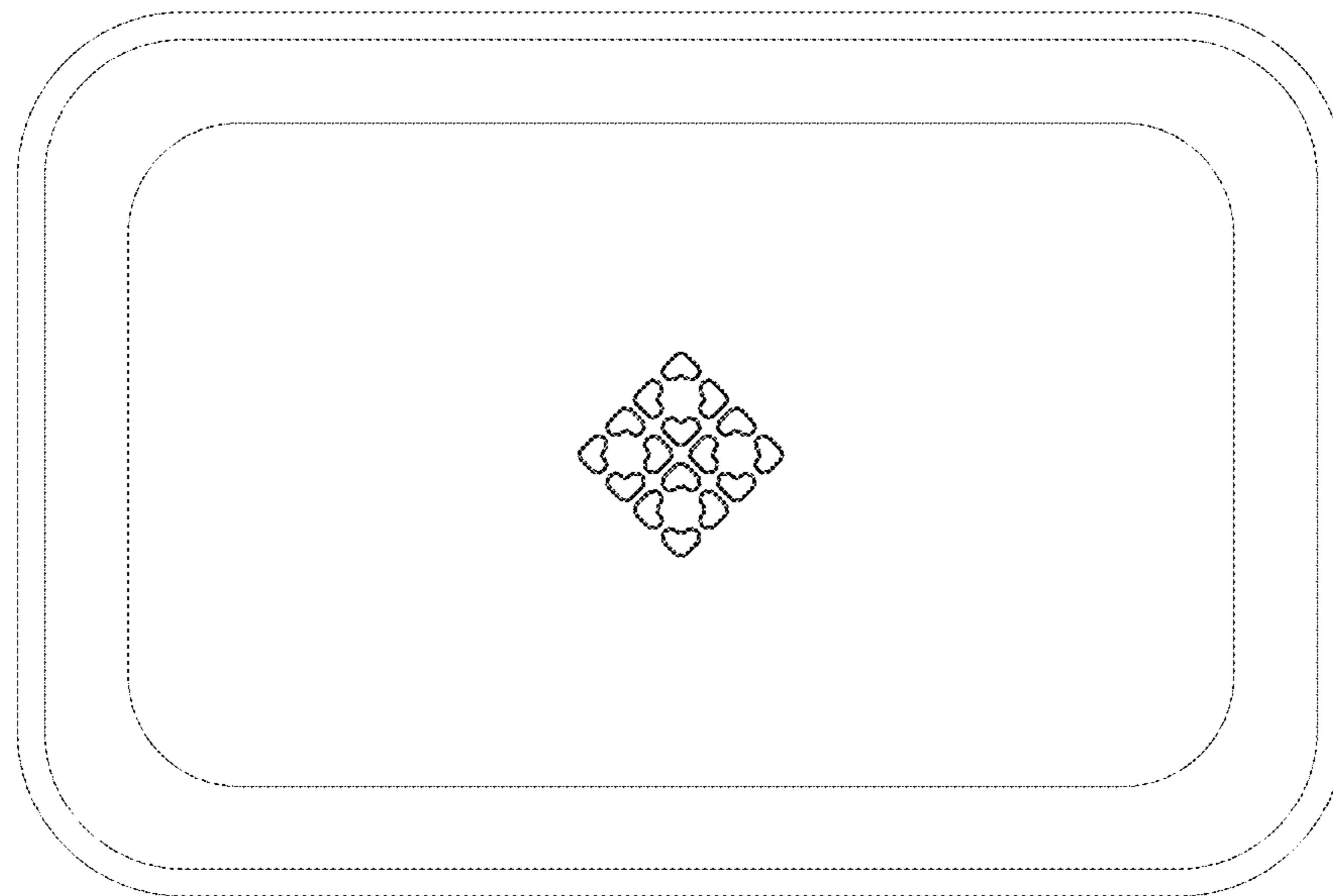


FIG. 6

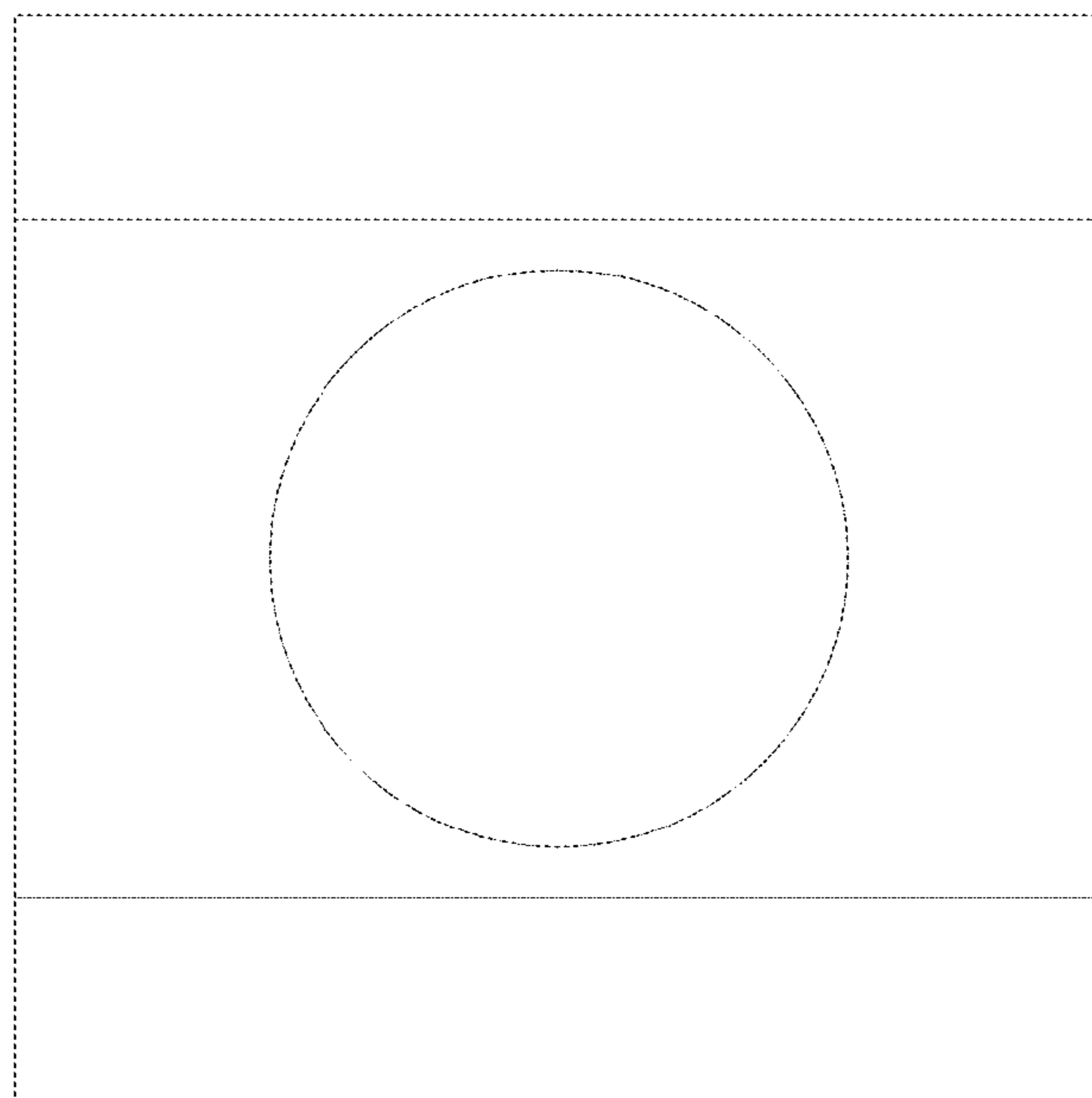


FIG. 7

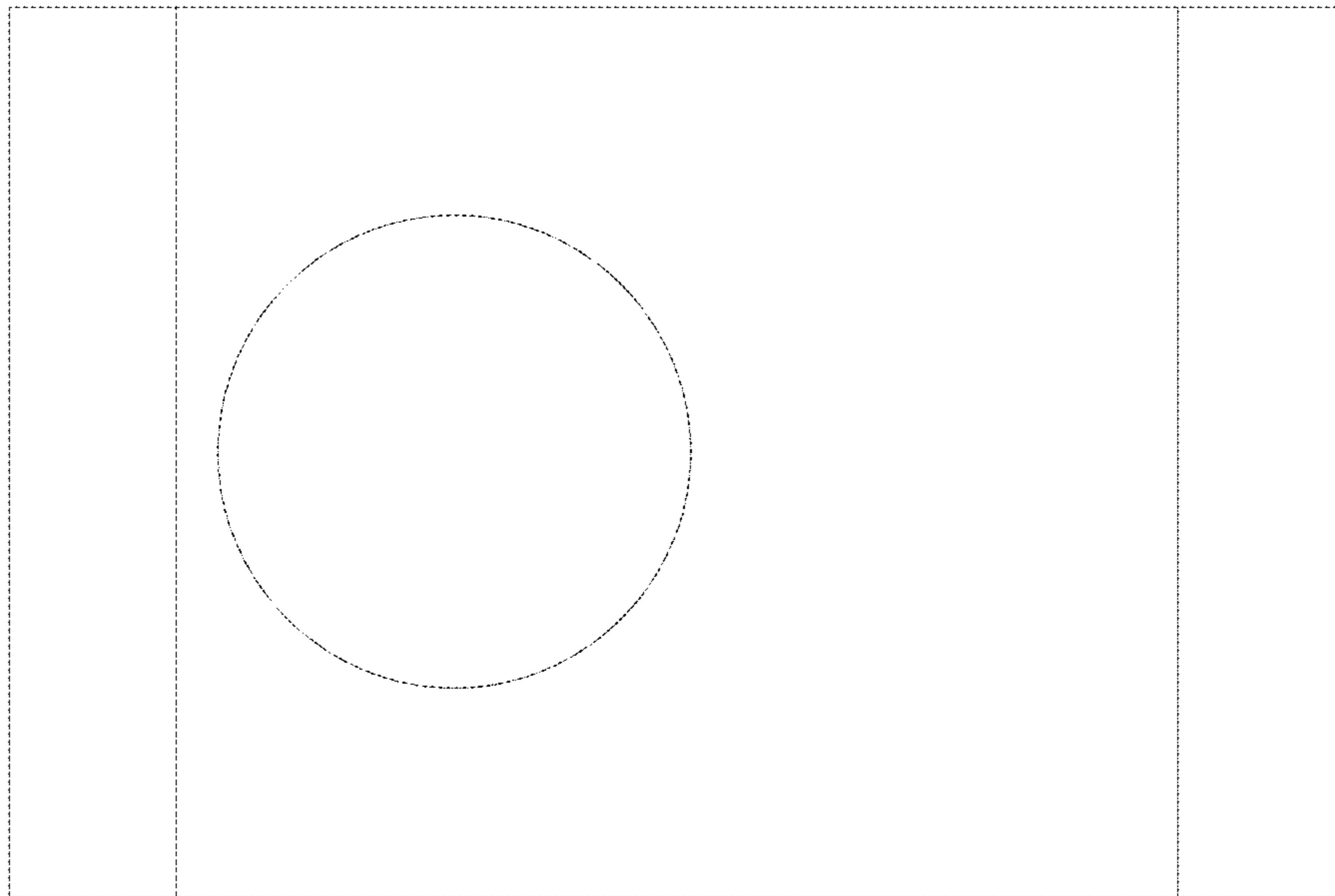


FIG. 8