



US00D858909S

(12) **United States Design Patent** (10) **Patent No.:** **US D858,909 S**
SteinKraus (45) **Date of Patent:** **** Sep. 3, 2019**

- (54) **SPIKE STICK**
- (71) Applicant: **Gramercy Products, Inc.**, Secaucus, NJ (US)
- (72) Inventor: **William SteinKraus**, Fort Lee, NJ (US)
- (73) Assignee: **Gramercy Products, Inc.**, Secaucus, NJ (US)
- (**) Term: **15 Years**
- (21) Appl. No.: **29/643,281**
- (22) Filed: **Apr. 6, 2018**
- (51) **LOC (12) Cl.** **30-99**
- (52) **U.S. Cl.**
USPC **D30/160**
- (58) **Field of Classification Search**
USPC D30/121, 160; D24/211-214;
D21/707-708, 712-713
CPC .. A01K 15/024; A01K 15/025; A01K 15/026;
A01K 15/027
See application file for complete search history.

(56) **References Cited**

U.S. PATENT DOCUMENTS

2,867,425 A	1/1959	Teller	
3,046,016 A	7/1962	Laws	
D219,284 S	11/1970	Hunt	
3,633,538 A	1/1972	Hoefflin	
3,889,950 A	6/1975	Kasravi	
4,002,893 A	1/1977	Newcomb et al.	
4,006,908 A	2/1977	Minami	
D249,551 S *	9/1978	Greenawalt	D24/211
D256,841 S *	9/1980	Corbett	D24/211
4,297,809 A	11/1981	Branson	
D285,117 S *	8/1986	Snyder	D24/211
5,358,440 A	10/1994	Zheng	
D361,132 S *	8/1995	Lee	D24/211
D369,414 S *	4/1996	Lee	D24/211

5,611,532 A	3/1997	Forrest, Sr.	
5,810,636 A	9/1998	Harned	
D399,569 S *	10/1998	Wier	D24/212
D402,318 S	12/1998	Dunipace	
D408,482 S	4/1999	Morrison	

(Continued)

Primary Examiner — Janice Hallmark

(74) *Attorney, Agent, or Firm* — Thomas A. O'Rourke;
Bodner + O'Rourke, LLP

(57) **CLAIM**

The ornamental design for a spike stick, as shown and described.

DESCRIPTION

FIG. 1 is a perspective view of the spike stick of the present invention.

FIG. 2 is a top view of the spike stick of FIG. 1.

FIG. 3 is a front view of the spike stick of FIG. 1. The rear view is identical to the front view shown.

FIG. 4 is a bottom view of the spike stick of FIG. 1.

FIG. 5 is a right side view of the spike stick of FIG. 1. The left side is identical to the right side shown.

FIG. 6 is a perspective view of an alternative embodiment of the spike stick of the present invention.

FIG. 7 is a top view of the spike stick of FIG. 6.

FIG. 8 is a front view of the spike stick of FIG. 6. The rear view is identical to the front view shown.

FIG. 9 is a bottom view of the spike stick of FIG. 6.

FIG. 10 is a right side view of the spike stick of FIG. 6. The left side is identical to the right side shown.

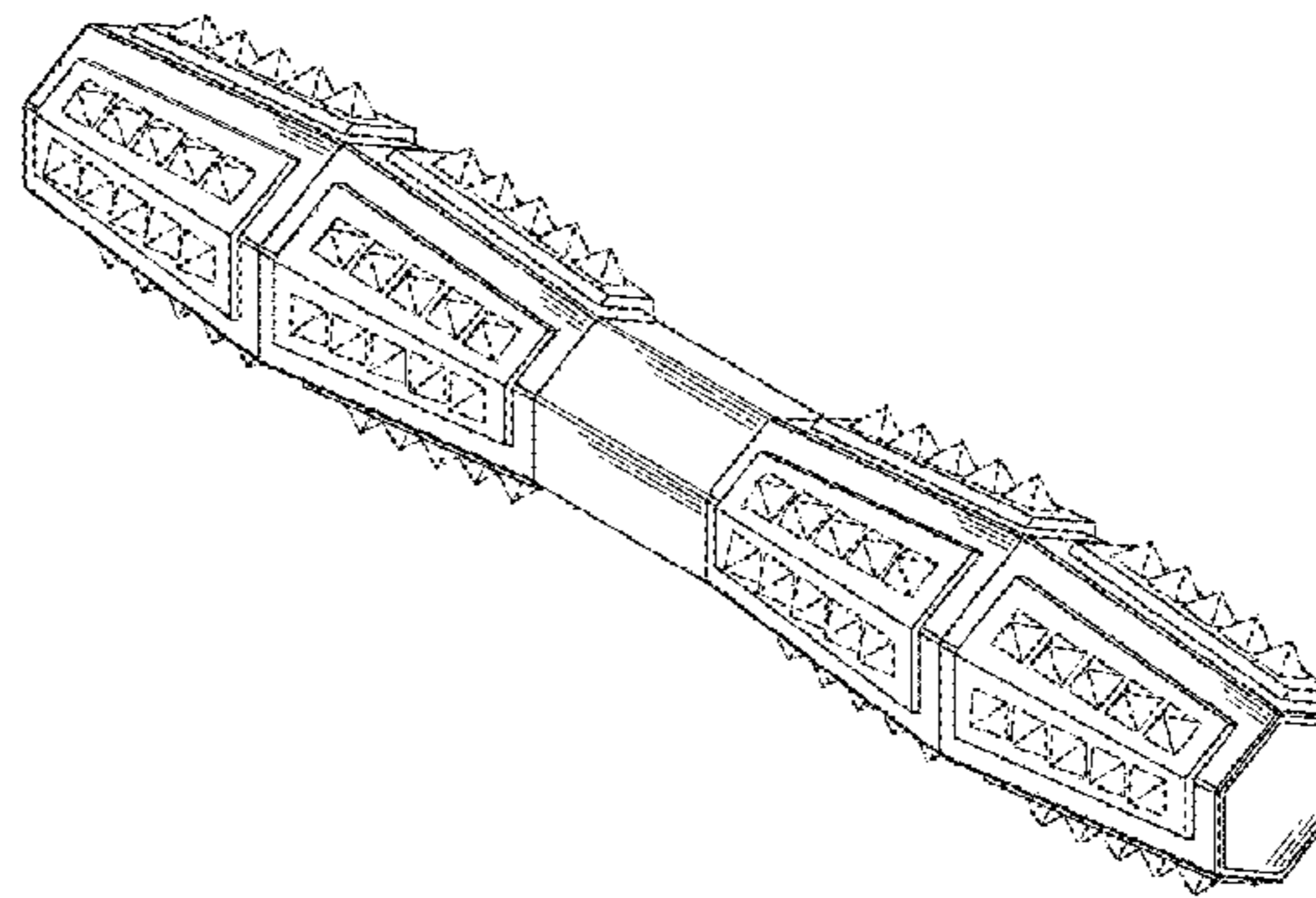
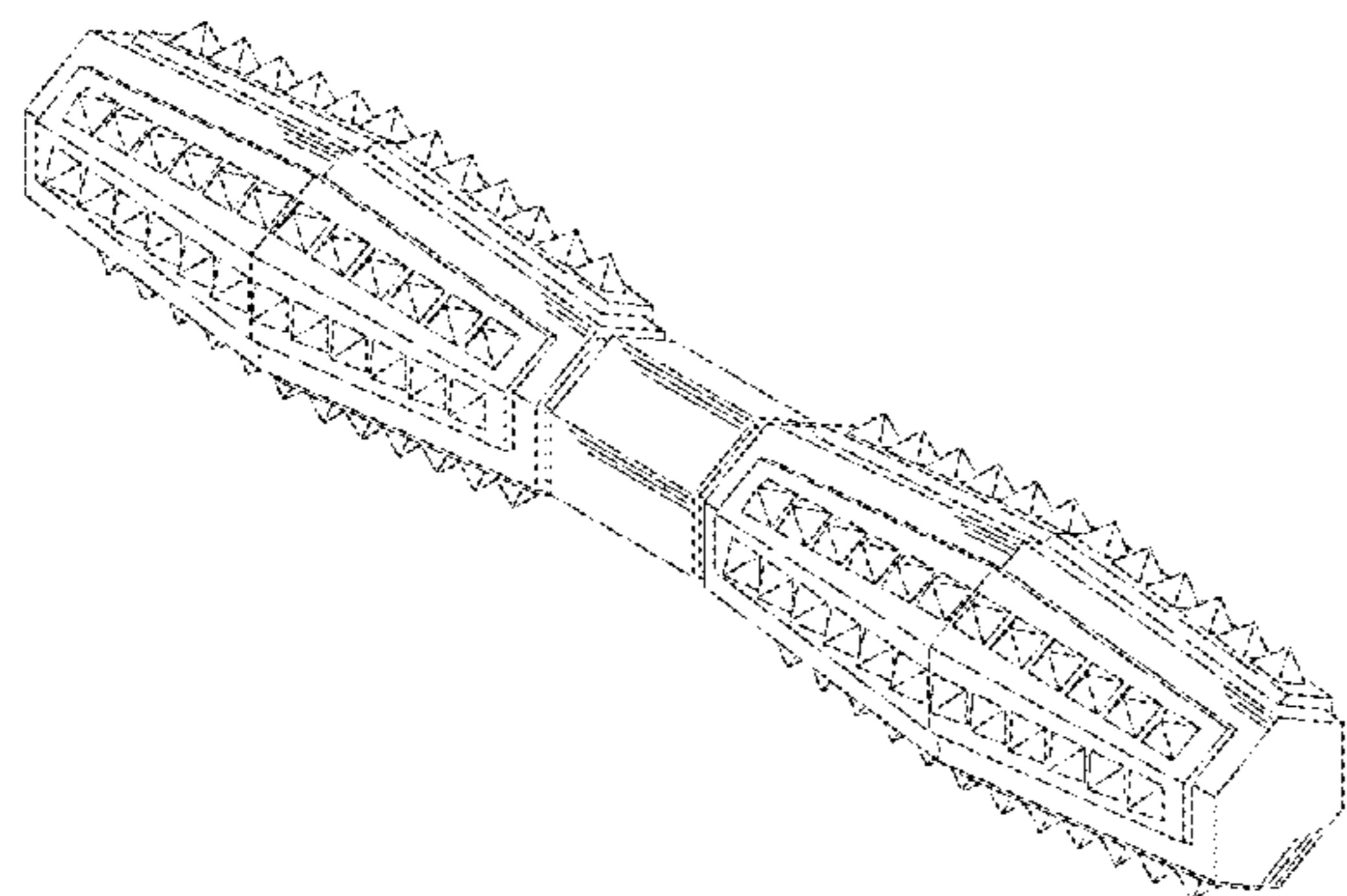
FIG. 11 is a perspective view of an alternative embodiment of the spike stick of the present invention.

FIG. 12 is a top view of the spike stick of FIG. 11.

FIG. 13 is a front view of the spike stick of FIG. 11. The rear view is identical to the front view shown.

FIG. 14 is a bottom view of the spike stick of FIG. 11; and, FIG. 15 is a right side view of the spike stick of FIG. 11. The left side is identical to the right side shown.

1 Claim, 6 Drawing Sheets



(56)

References Cited

U.S. PATENT DOCUMENTS

5,934,966 A 8/1999 Ward
 D417,319 S * 11/1999 Weiss, Jr. D30/160
 6,003,470 A 12/1999 Budman
 6,073,588 A 6/2000 McClung, III et al.
 6,083,127 A 7/2000 O'Shea
 6,089,938 A 7/2000 Spector
 6,113,453 A 9/2000 Stufflebeam
 D433,719 S 11/2000 Hutchings
 6,174,214 B1 1/2001 Cooper
 6,390,879 B1 5/2002 Spector
 D461,025 S * 7/2002 Pentland D30/160
 D468,378 S 1/2003 Routzong
 D479,897 S 9/2003 Willinger
 6,622,659 B2 9/2003 Willinger
 6,651,590 B2 11/2003 Willinger et al.
 6,682,384 B2 1/2004 Wang
 6,695,666 B2 2/2004 Nikonorov
 6,739,934 B1 5/2004 Adler
 6,918,809 B2 7/2005 Persall
 6,939,191 B1 9/2005 Wu
 D511,228 S 11/2005 Byrne
 D512,541 S 12/2005 Byrne
 D513,545 S 1/2006 Byrne
 7,096,826 B2 8/2006 Markham
 D548,409 S 8/2007 Renforth et al.
 D569,562 S 5/2008 Nazimek

D597,263 S 7/2009 Nazimek
 D637,773 S 5/2011 Tsengas
 D640,329 S 6/2011 Oblack et al.
 7,976,355 B2 7/2011 McAnulty
 D643,540 S * 8/2011 Jian D24/211
 D660,450 S * 5/2012 Johnson D24/215
 8,241,153 B2 8/2012 Williams
 8,348,713 B2 1/2013 Groft et al.
 8,402,923 B2 3/2013 Jager
 D680,280 S 4/2013 Nielsen
 8,474,410 B2 7/2013 Oblack et al.
 D692,569 S * 10/2013 Samurin D24/214
 D706,883 S * 6/2014 Hedeem, Jr. D21/707
 D713,050 S * 9/2014 Kao A61H 15/00
 D805,649 S * 12/2017 Mizelle D24/211
 D809,219 S * 1/2018 Wright A01K 13/001
 D30/160
 2002/0111105 A1 8/2002 Silvergate
 2003/0184013 A1 10/2003 Chodosh
 2003/0232565 A1 12/2003 Silvergate
 2004/0083983 A1 5/2004 Markham
 2004/0089245 A1 5/2004 Markham
 2004/0166764 A1 8/2004 Stark
 2004/0259460 A1 12/2004 Persall, Sr. et al.
 2006/0073758 A1 4/2006 Goodwin et al.
 2006/0141896 A1 6/2006 Owens
 2009/0176436 A1 7/2009 Stark

* cited by examiner

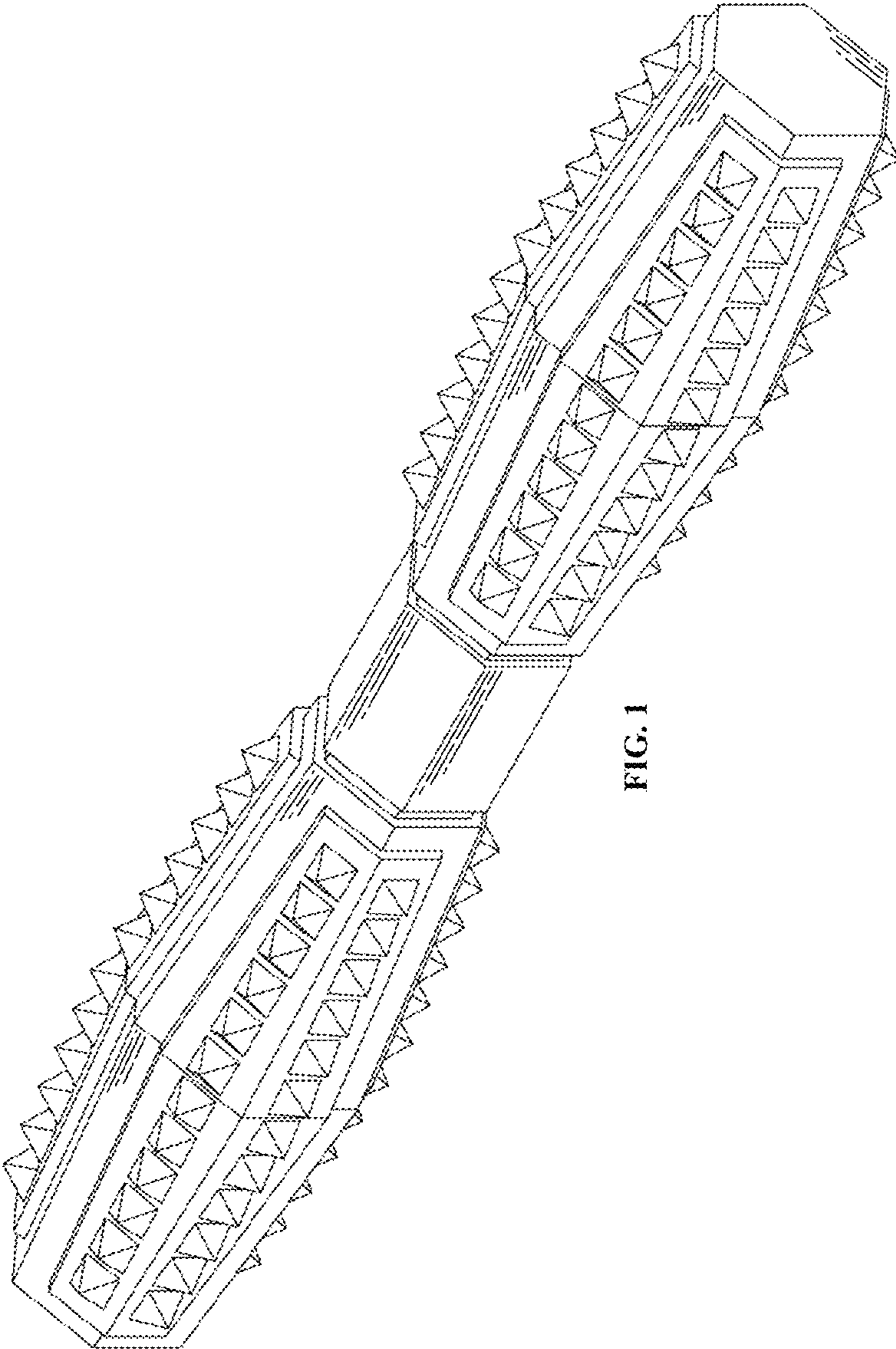


FIG. 1

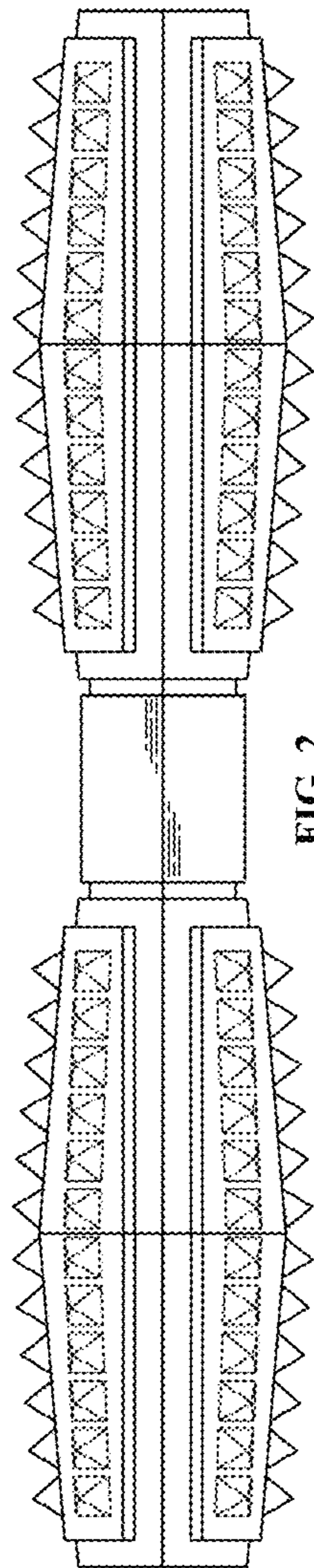


FIG. 2

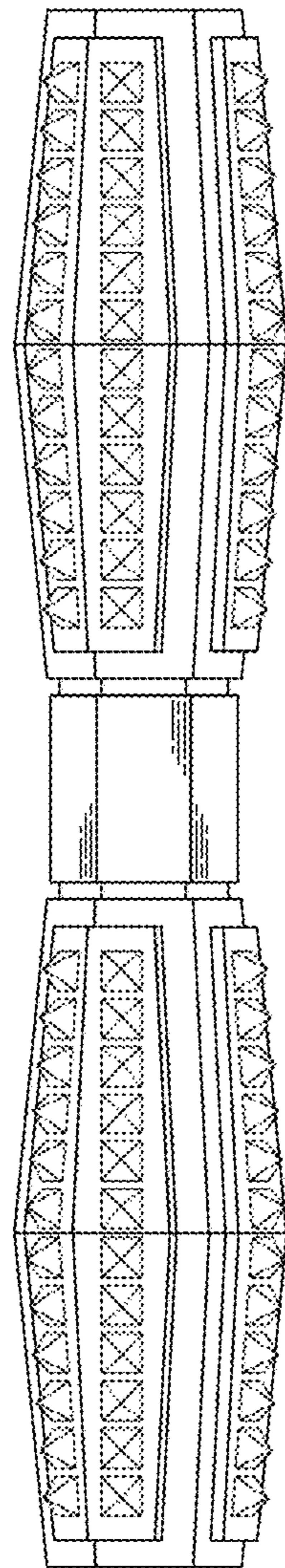


FIG. 3

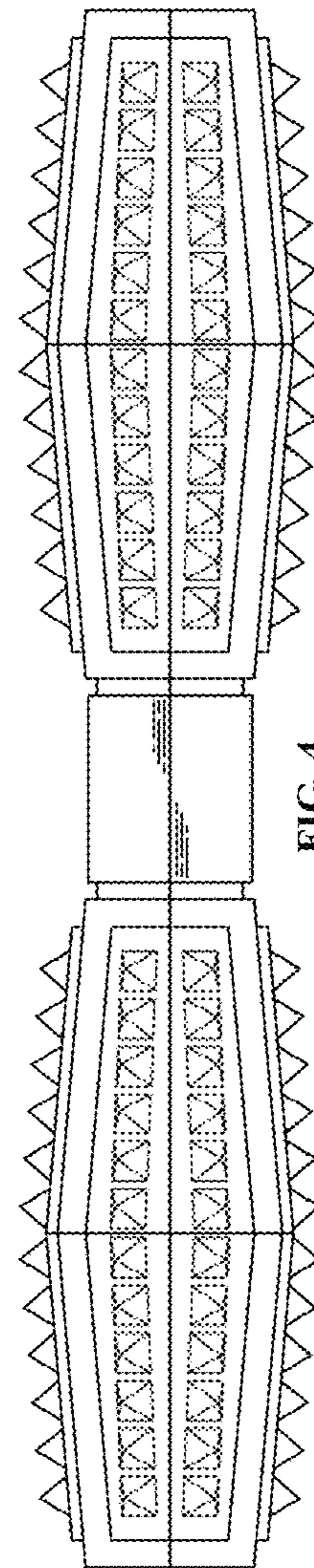


FIG. 4

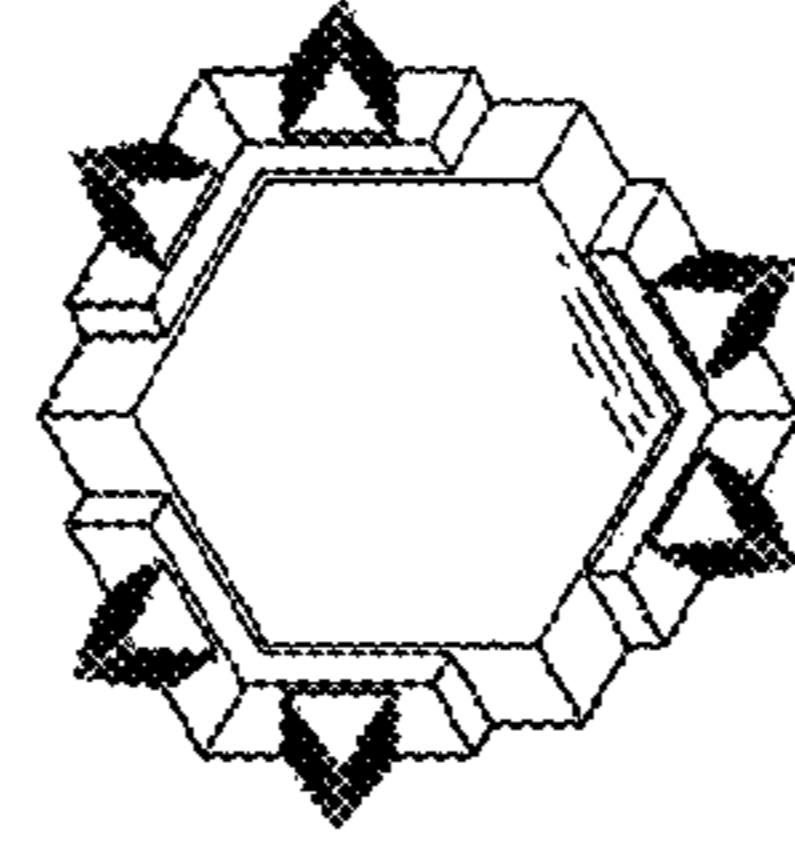


FIG. 5

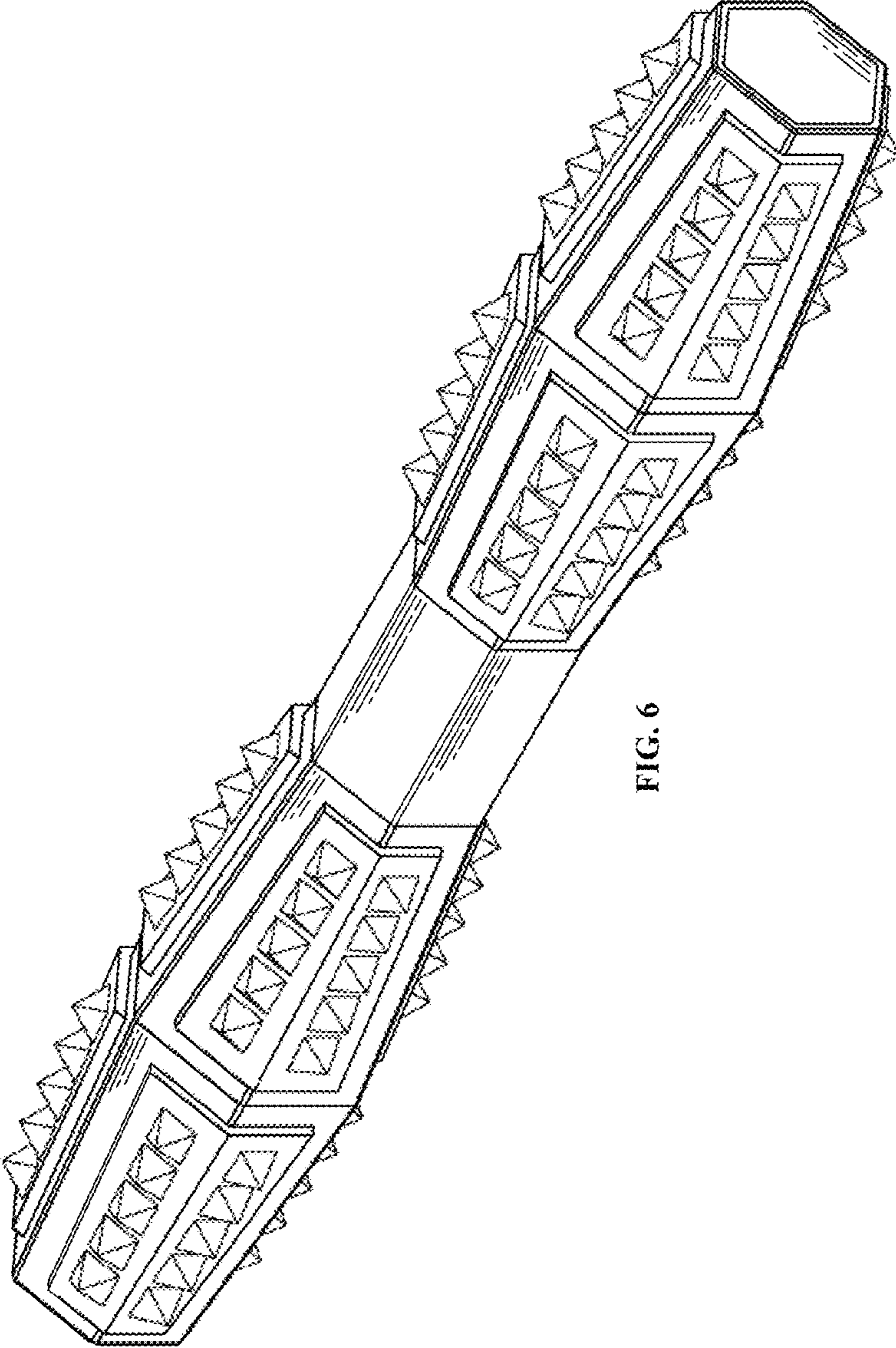


FIG. 6

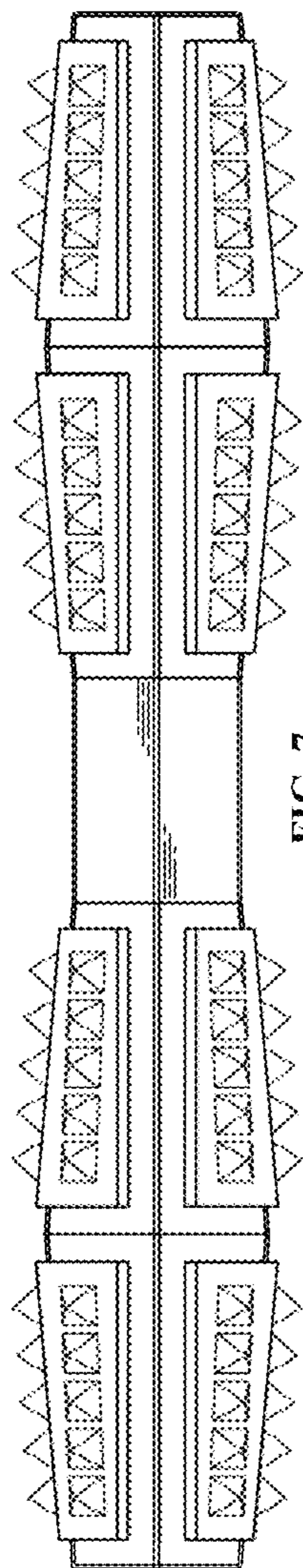


FIG. 7

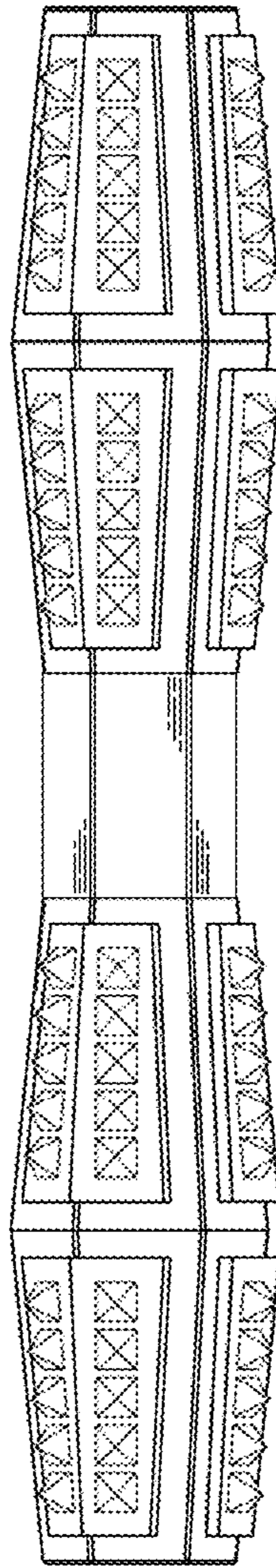


FIG. 8

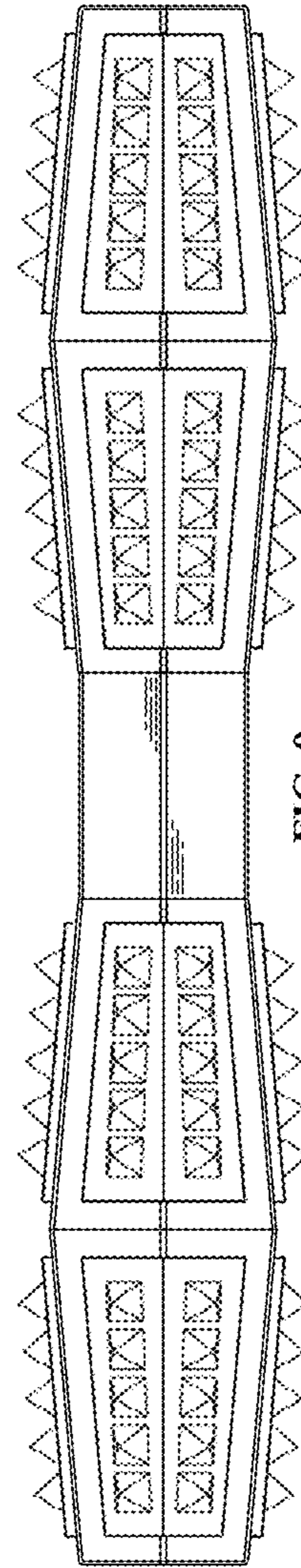


FIG. 9

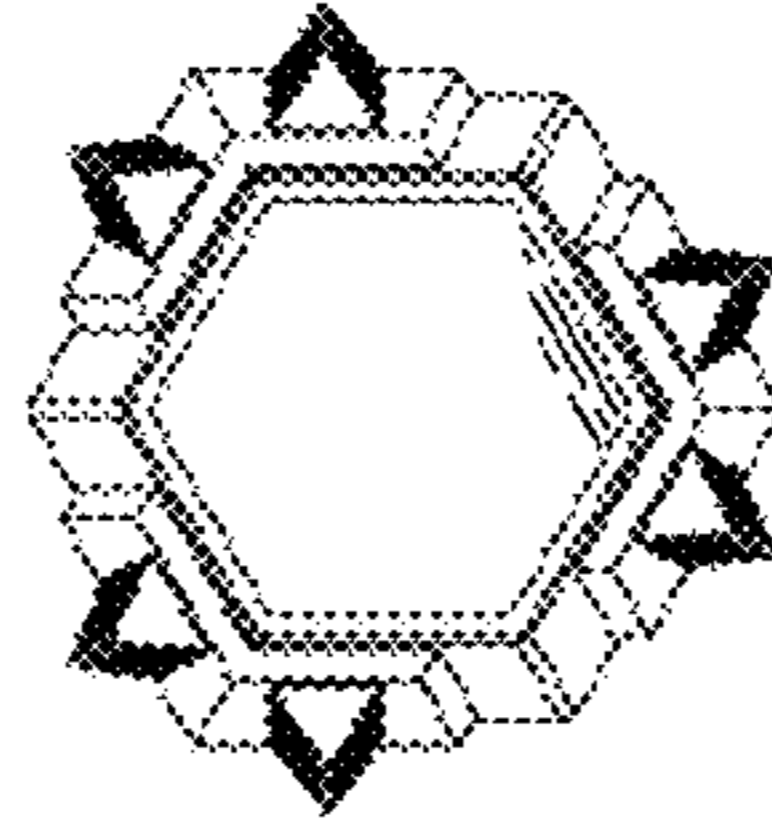


FIG. 10

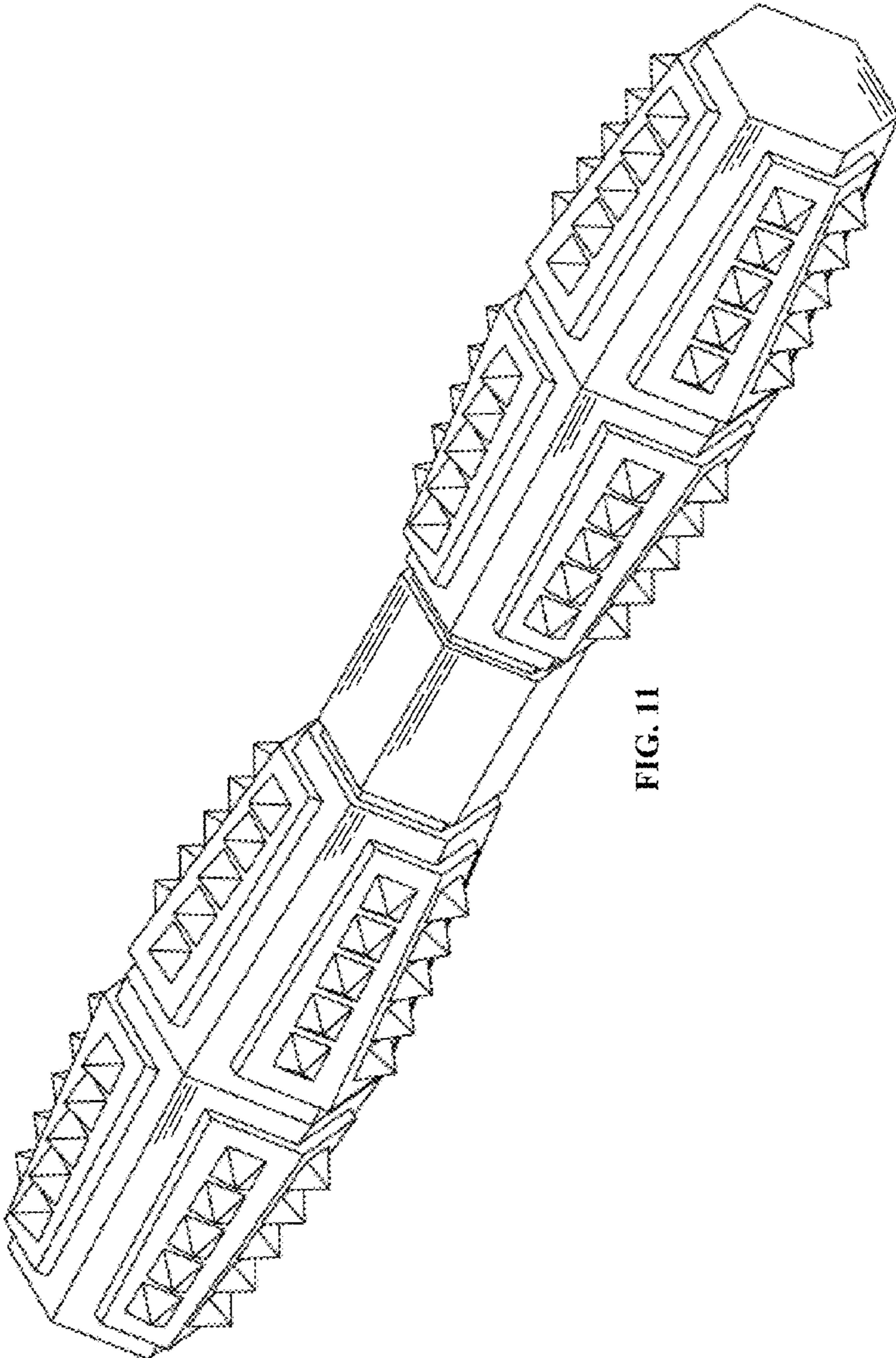


FIG. 11

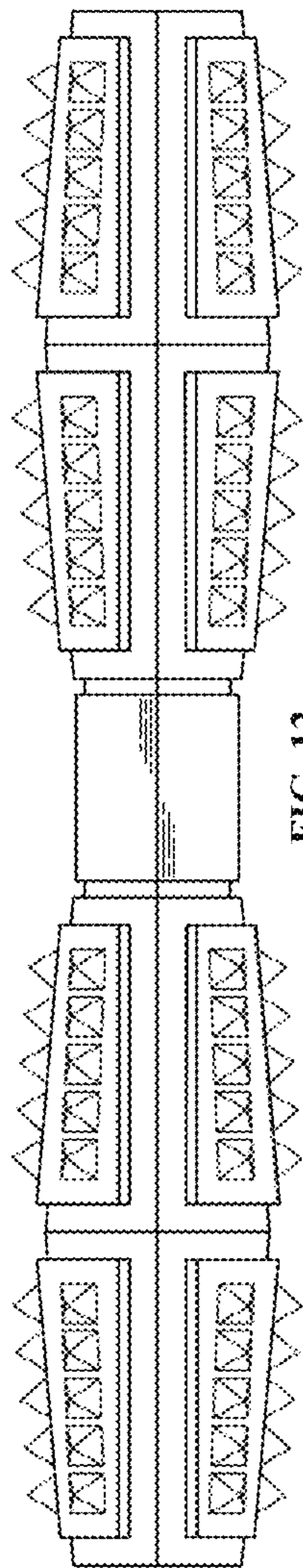


FIG. 12

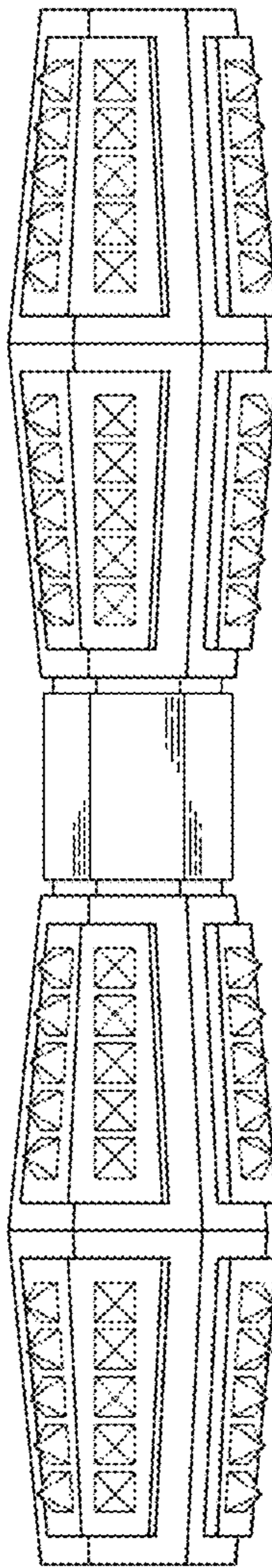


FIG. 13

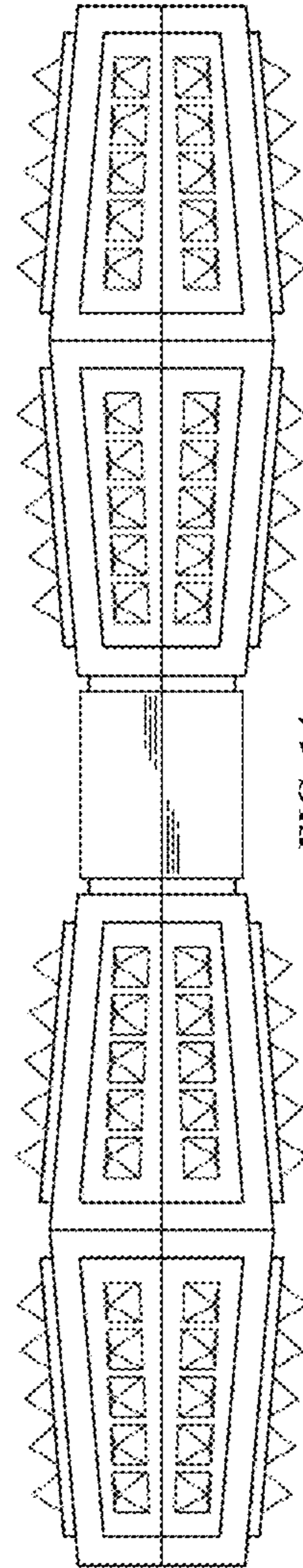


FIG. 14

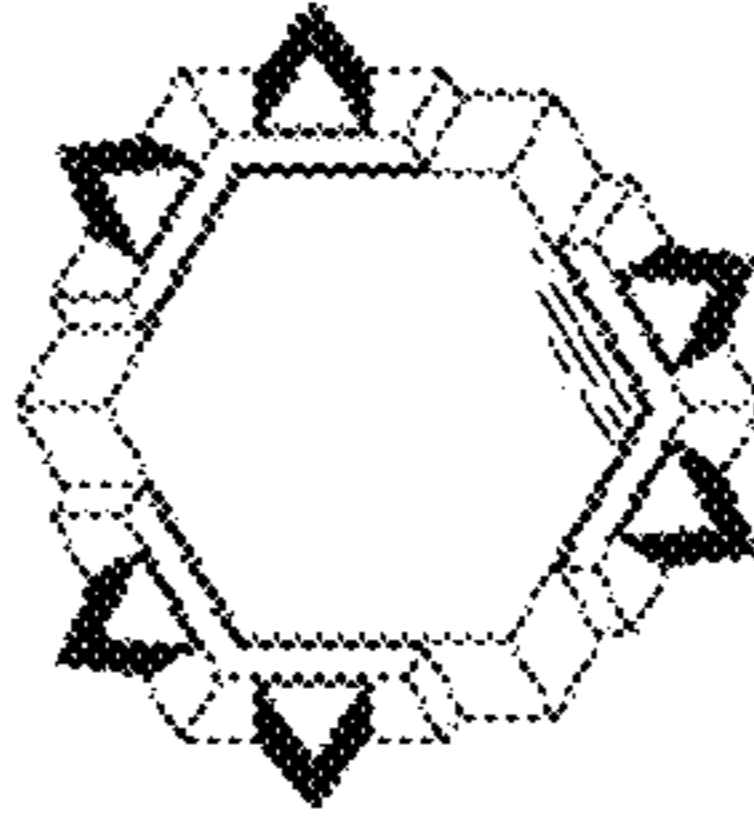


FIG. 15