



US00D858908S

(12) **United States Design Patent** (10) **Patent No.:** **US D858,908 S**
Wilhelm (45) **Date of Patent:** **** Sep. 3, 2019**

(54) **PET TOY**

(71) Applicant: **Doskocil Manufacturing Company,**
Arlington, TX (US)

(72) Inventor: **Josiah Wilhelm,** Columbia Station, OH
(US)

(73) Assignee: **DOSKOCIL MANUFACTURING**
COMPANY, INC., Arlington, TX (US)

(**) Term: **15 Years**

(21) Appl. No.: **29/611,449**

(22) Filed: **Jul. 21, 2017**

(51) **LOC (12) Cl.** **30-99**

(52) **U.S. Cl.**
USPC **D30/160**

(58) **Field of Classification Search**
USPC D21/398, 400, 402, 412, 415, 426, 436,
D21/439, 440, 441, 443, 455, 460-462,
D21/466-468, 479, 495, 563, 656, 712,
D21/713, 788, 799.1, 470, 681; D24/211,
D24/214, 215, 193-195; D30/160, 112,
D30/119; D1/125-127
CPC A63H 5/00; A63H 33/26; A63H 33/18;
A63H 29/22; A63H 29/24; A63H
2200/00; A63H 11/00; A63H 13/00;
A63H 18/02; A63H 18/14; A63H 18/16;
A63H 29/00; A63H 33/009; A63H 33/22;
A63H 33/3055; A63H 3/003; A63H
3/006; A63H 3/008; A63H 3/24; A63H
3/28; A63H 3/31; A63H 3/36; A63H
9/00; A63B 59/20; A63B 69/406; A63B
47/04; A63B 2220/51; A63B 2220/53;
A63B 2220/56; A63B 2220/805; A63B
2071/0625; A63B 2071/063; A63B
2220/17; A63B 2220/18; A63B 2220/40;

A63B 2220/803; A63B 2220/833; A63B
43/004; A63B 43/06; A63B 71/0622;
A63B 2071/0602; A63B 21/0055; A63B
2207/02; A63B 2225/54; A63B 69/0053;
A63B 2047/043

See application file for complete search history.

(56) **References Cited**

U.S. PATENT DOCUMENTS

5,322,036	A *	6/1994	Merino	A63H 15/04 119/707
D411,042	S *	6/1999	Willinger	D30/160
6,016,771	A *	1/2000	Baiera	A01K 15/025 119/707
6,217,408	B1 *	4/2001	Willinger	A01K 15/025 119/707
D724,279	S *	3/2015	Paculdo	D30/160
D822,919	S *	7/2018	Woods	D30/160

* cited by examiner

Primary Examiner — Lilyana Bekic
Assistant Examiner — Aula Soroush
(74) *Attorney, Agent, or Firm* — Global IP Counselors,
LLP

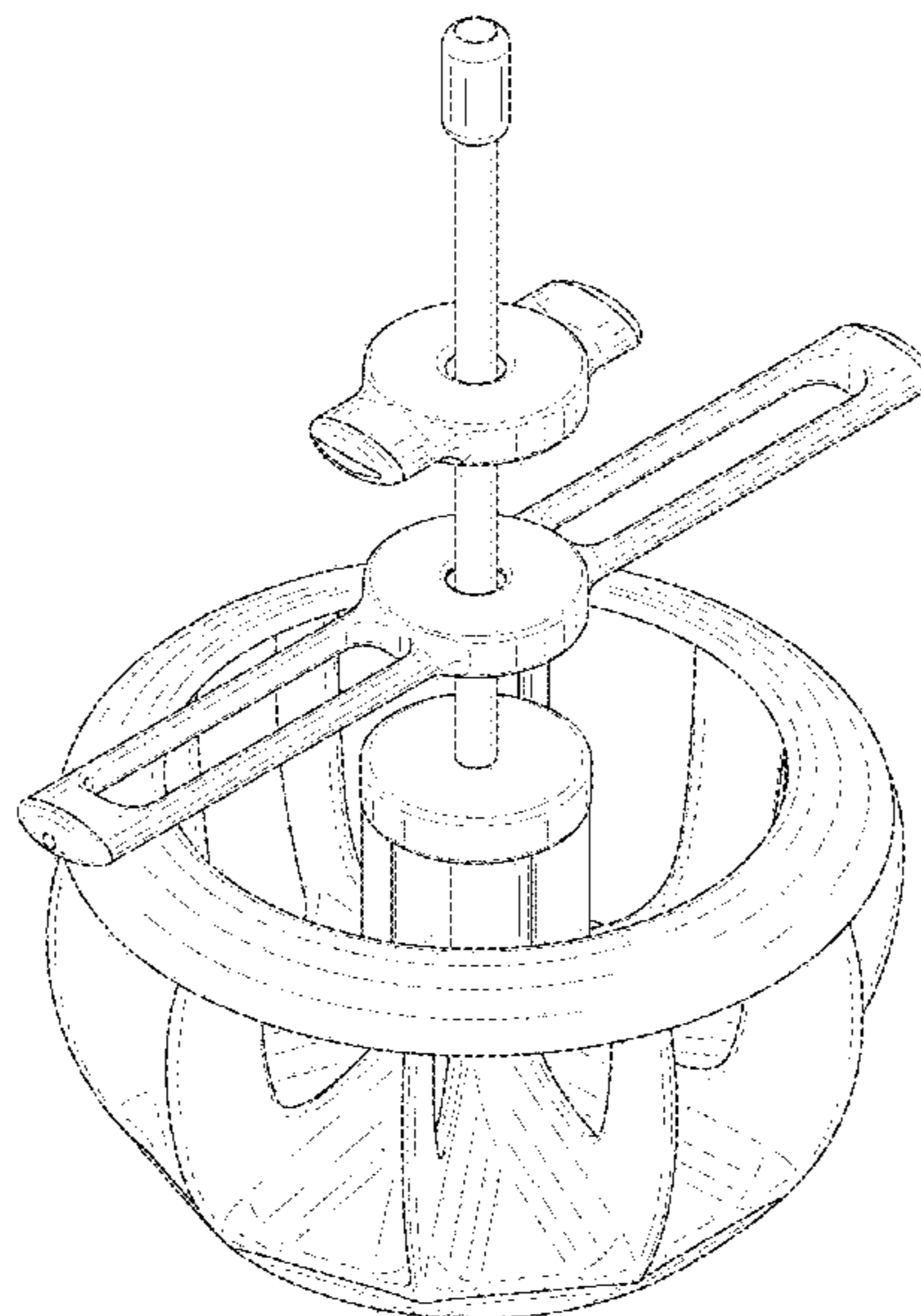
(57) **CLAIM**

The ornamental design for a pet toy, as shown and described.

DESCRIPTION

FIG. 1 is a front perspective view of a pet toy in accordance with my new design;
FIG. 2 is a front view thereof;
FIG. 3 is a back view thereof;
FIG. 4 is a right side view thereof;
FIG. 5 is a left side view thereof;
FIG. 6 is a top view thereof; and,
FIG. 7 is a bottom view thereof.

1 Claim, 7 Drawing Sheets



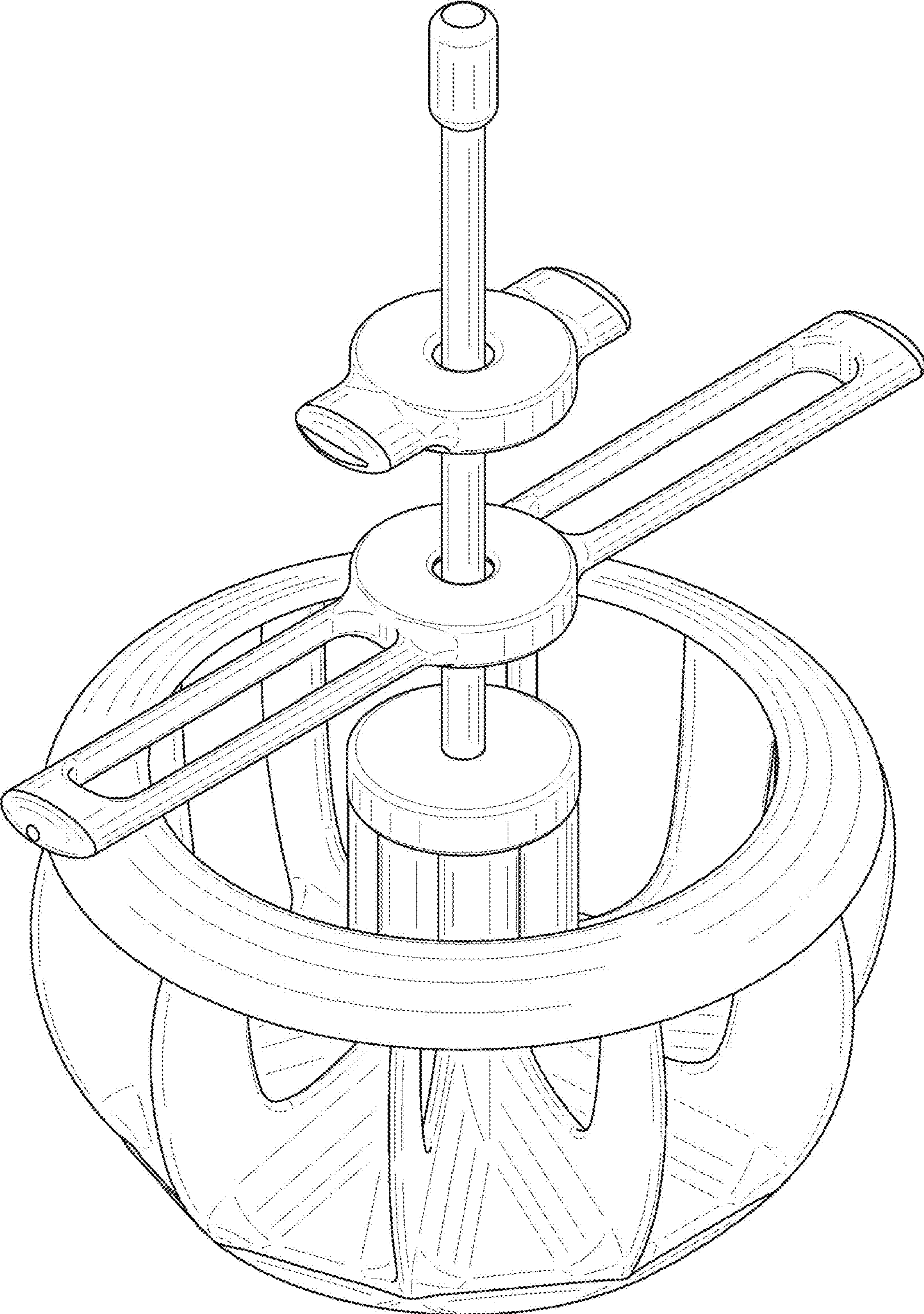


FIG. 1

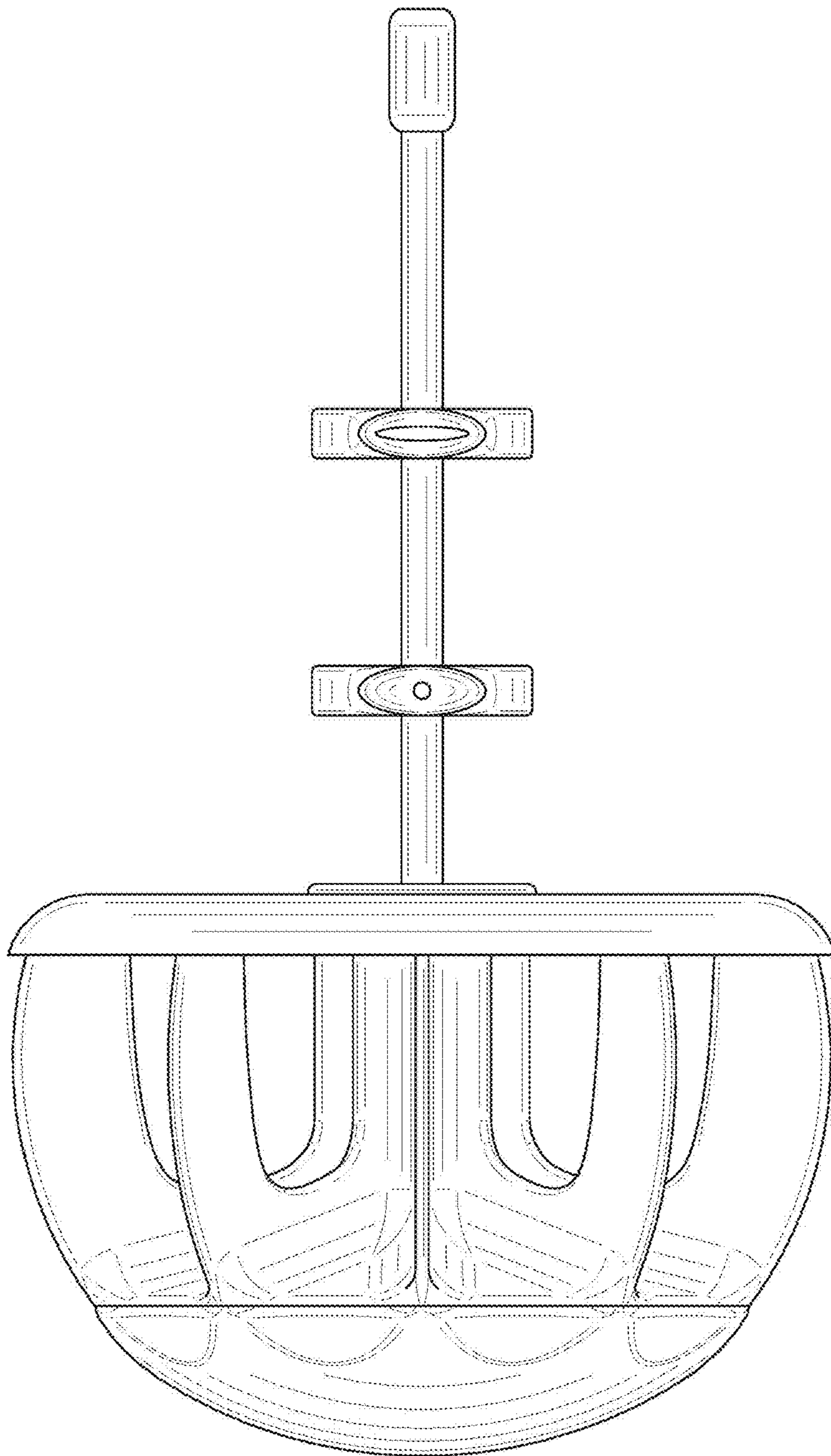


FIG. 2

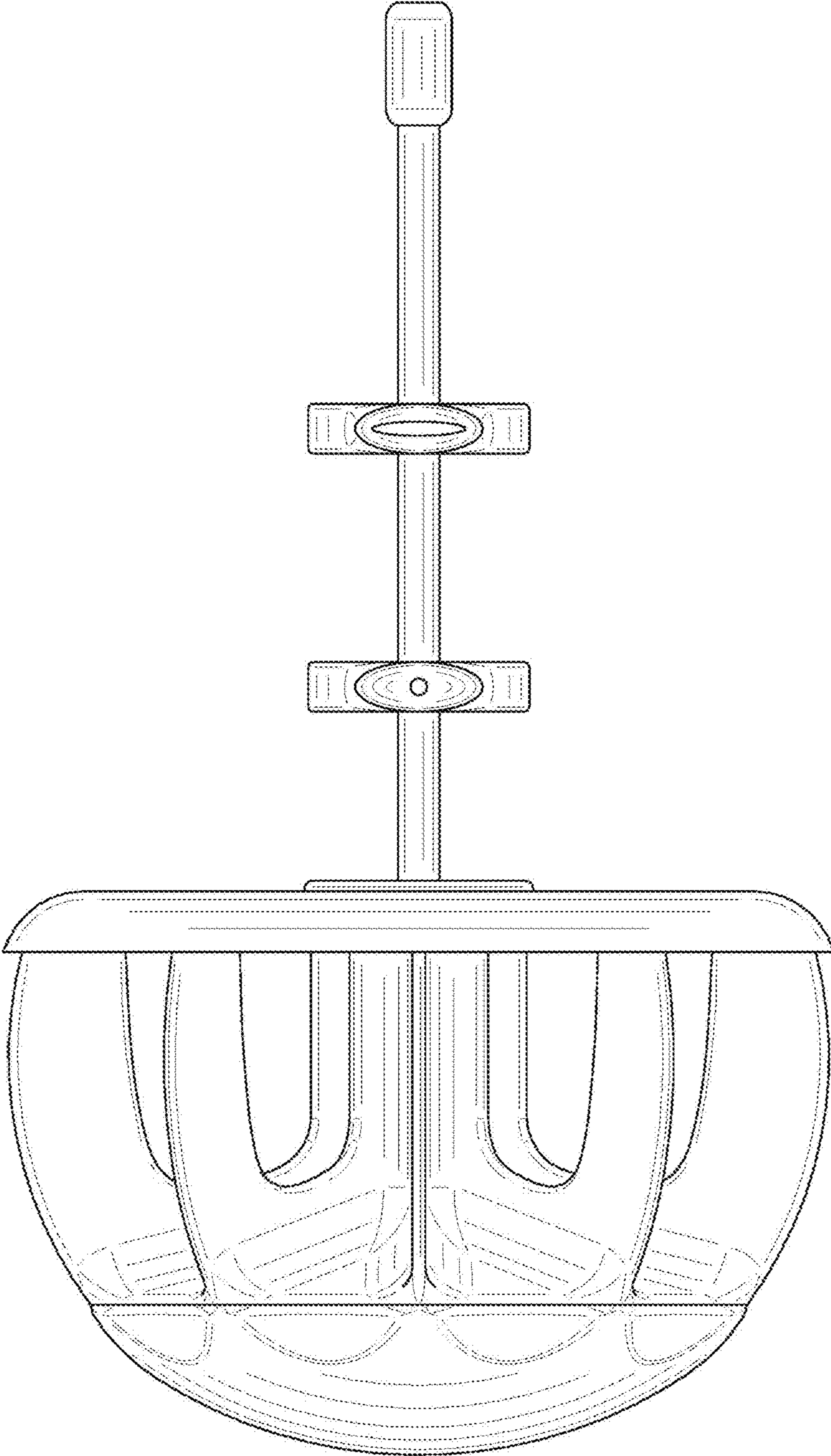


FIG. 3

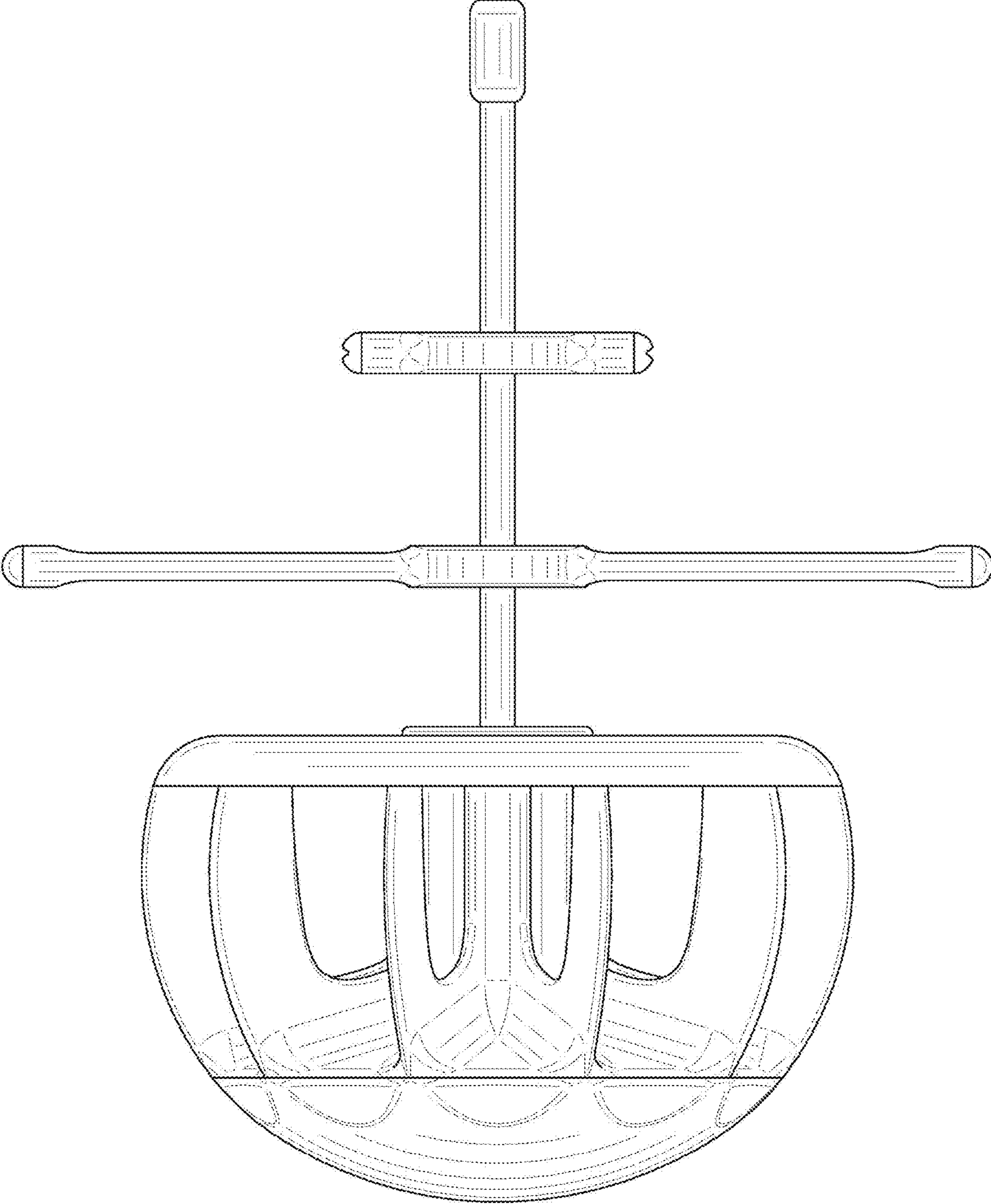


FIG. 4

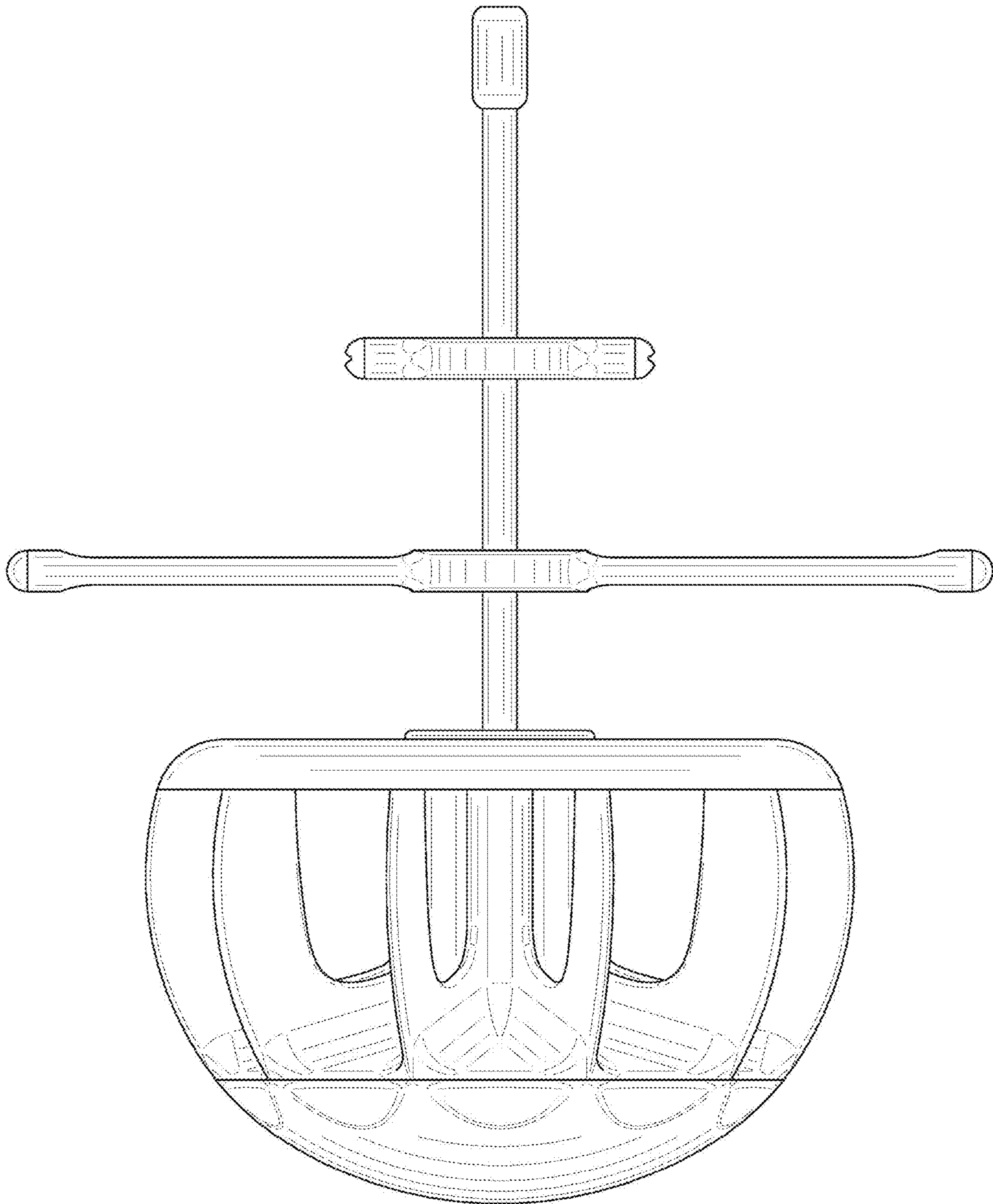


FIG. 5

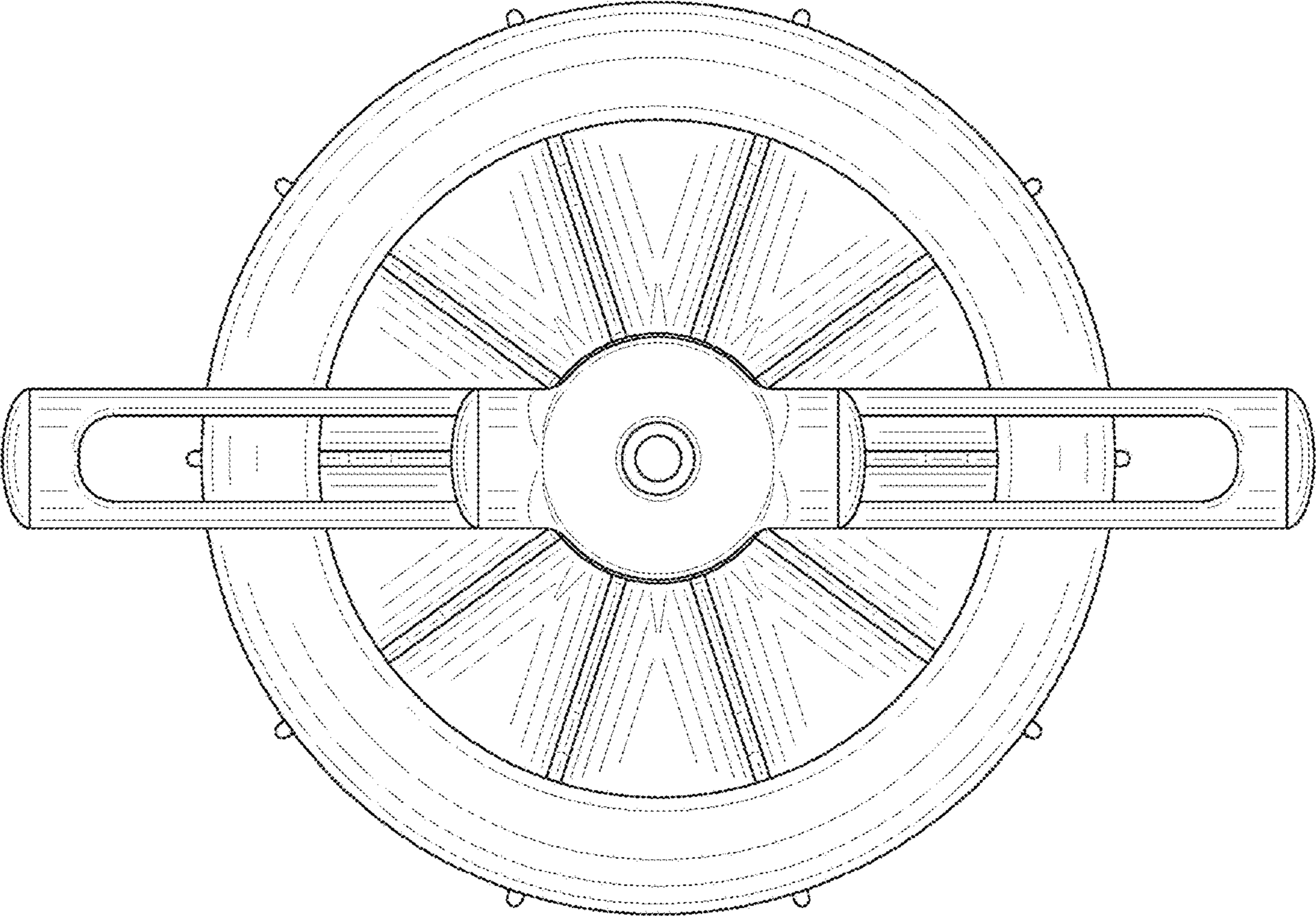


FIG. 6

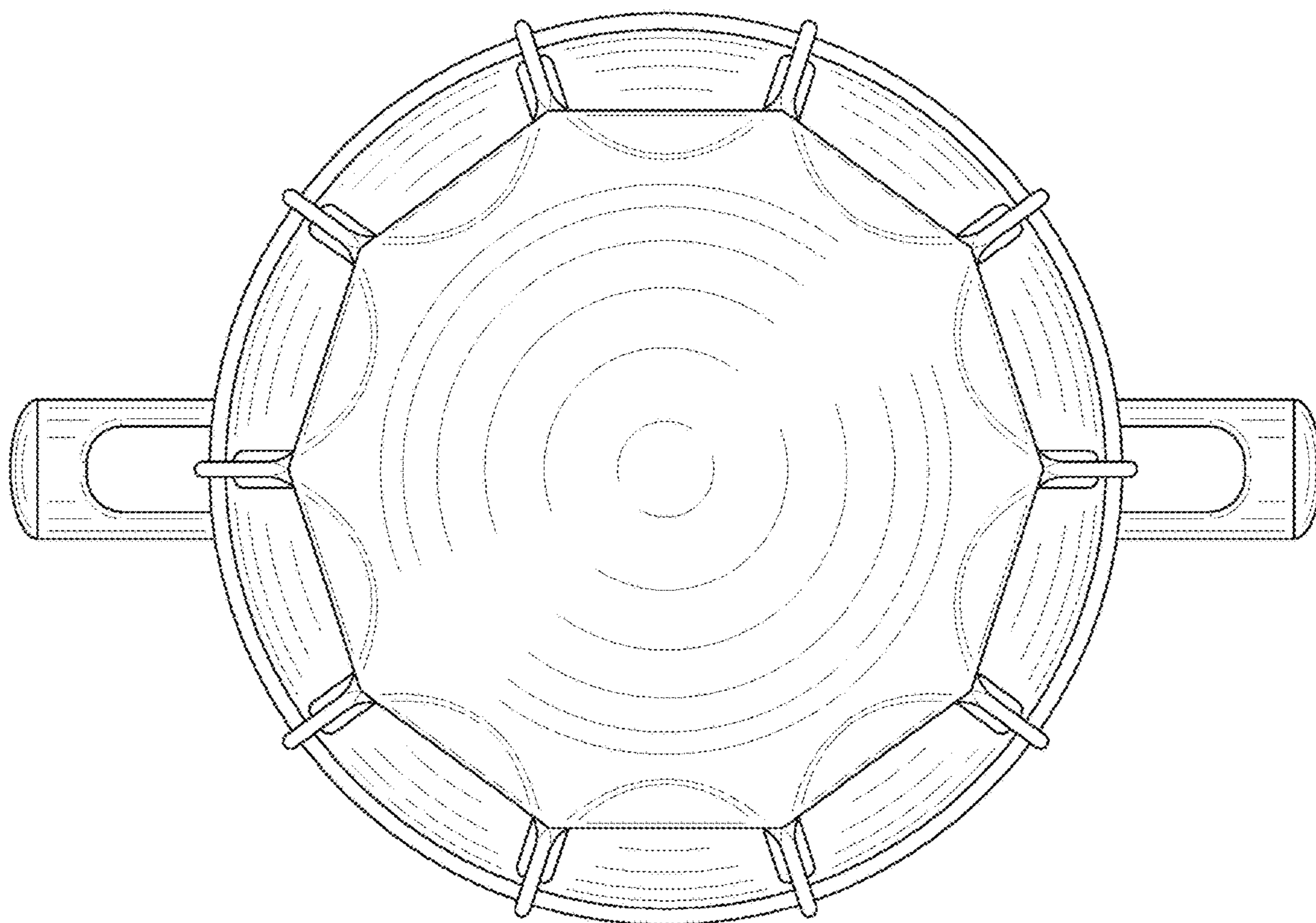


FIG. 7