



US00D858907S

(12) **United States Design Patent** (10) **Patent No.:** **US D858,907 S**
Gick (45) **Date of Patent:** **** Sep. 3, 2019**

(54) **DOG CHEW TOY**
(71) Applicant: **PetQwerks, Inc.**, Irvine, CA (US)
(72) Inventor: **James W. Gick**, Irvine, CA (US)
(73) Assignee: **PET QWERKS, INC.**, Irvine, CA (US)
(**) Term: **15 Years**

(21) Appl. No.: **29/611,238**
(22) Filed: **Jul. 19, 2017**
(51) **LOC (12) Cl.** **30-99**
(52) **U.S. Cl.**
USPC **D30/160**

(58) **Field of Classification Search**
USPC D21/398, 400, 402, 412, 415, 426, 436,
D21/439, 440, 441, 455, 466-468, 479,
D21/495, 563, 656, 712, 713, 788, 799.1,
D21/470, 681, 484, 707, 408, 437, 673,
D21/679, 682, 443, 460-462, 386, 678;
D24/211, 214, 215, 193-195, 212;
D30/160, 112, 119; D1/125-127, 120
CPC A63H 5/00; A63H 33/26; A63H 33/18;
A63H 29/22; A63H 29/24; A63H
2200/00; A63H 11/00; A63H 13/00;
A63H 18/02; A63H 18/14; A63H 18/16;
A63H 29/00; A63H 33/009; A63H 33/22;
A63H 33/3055; A63H 3/003; A63H
3/006; A63H 3/008; A63H 3/24; A63H
3/28; A63H 3/31; A63H 3/36; A63H
9/00; A63B 59/20; A63B 69/406; A63B
47/04; A63B 2220/51; A63B 2220/53;
A63B 2220/56; A63B 2220/805; A63B
2071/0625; A63B 2071/063; A63B
2220/17; A63B 2220/18; A63B 2220/40;
A63B 2220/803; A63B 2220/833; A63B
43/004; A63B 43/06; A63B 71/0622;
A63B 2071/0602; A63B 21/0055; A63B
2207/02;

(Continued)

(56) **References Cited**
U.S. PATENT DOCUMENTS
D320,495 S * 10/1991 Pallesen D1/110
5,750,196 A 5/1998 Welch
(Continued)

OTHER PUBLICATIONS
Pet Qwerks Barkbone, chewy.com, earliest date reviewed on May 22, 2017, [online], acquired on Dec. 7, 2018. Available from Internet, <URL: https://www.chewy.com/pet-qwerks-barkbone-peanut-butter/dp/143471> (Year: 2017).*
(Continued)

Primary Examiner — Sheryl Lane
Assistant Examiner — Aula Soroush
(74) *Attorney, Agent, or Firm* — Roland J. Tong;
Manning & Kass, Ellrod, Ramirez, Trester LLP

(57) **CLAIM**
The ornamental design for a dog chew toy, as shown and described.

DESCRIPTION
FIG. 1 is a front perspective view of the dog chew toy of the present disclosure.
FIG. 2 is a rear perspective view of the dog chew toy of the present disclosure.
FIG. 3 is a bottom plan view of the dog chew toy of the present disclosure.
FIG. 4 is a top plan view of the dog chew toy of the present disclosure.
FIG. 5 is a right side view of the dog chew toy of the present disclosure.
FIG. 6 is a left side view of the dog chew toy of the present disclosure.
FIG. 7 is a front view of the dog chew toy of the present disclosure; and,

(Continued)

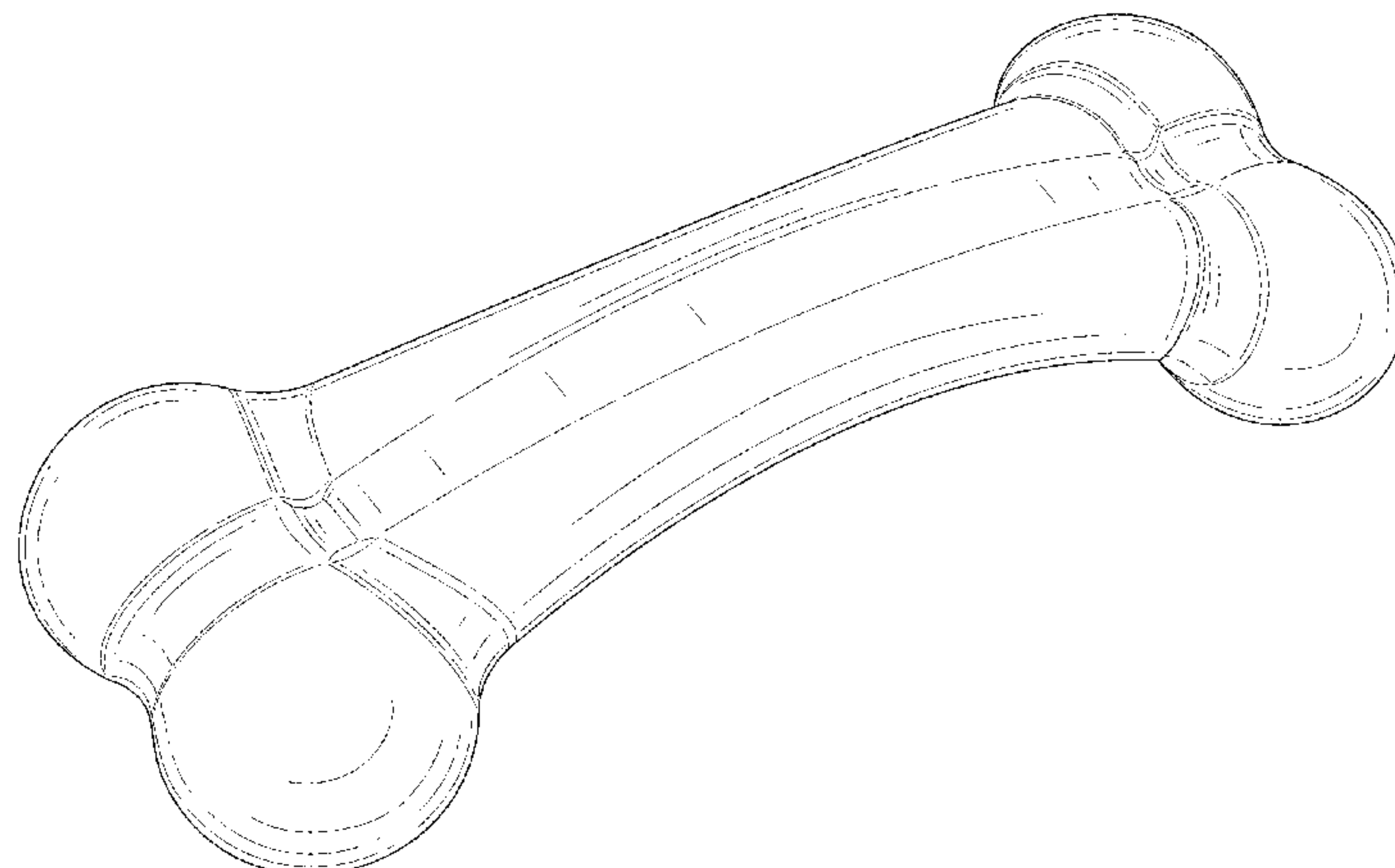


FIG. 8 is a rear view of the dog chew toy of the present disclosure.

1 Claim, 7 Drawing Sheets

(58) **Field of Classification Search**

CPC A63B 2225/54; A63B 69/0053; A63B 2047/043

See application file for complete search history.

(56) **References Cited**

U.S. PATENT DOCUMENTS

5,989,604 A * 11/1999 Wolf A61K 8/22
426/103
6,202,598 B1 3/2001 Willinger
6,379,725 B1 * 4/2002 Wang A01K 15/026
426/104
D475,816 S * 6/2003 Adamson D1/106
D501,286 S * 2/2005 Wang D1/199
D540,181 S * 4/2007 Edwards D30/160
D576,358 S * 9/2008 Rutherford D30/160
D620,207 S * 7/2010 Byrne D30/160

D642,341 S * 7/2011 Anderson D30/160
D655,056 S * 2/2012 Blair D1/199
D657,924 S * 4/2012 Soegaard D30/160
D662,676 S * 6/2012 Wechsler D30/160
D671,599 S * 11/2012 Herndon D20/29
D740,500 S * 10/2015 Wickens D30/160
D814,696 S * 4/2018 Zhou D28/7
D819,899 S * 6/2018 Gick D30/160
2008/0029045 A1 2/2008 Willinger
2008/0314333 A1 12/2008 Hurwitz
2009/0151649 A1 * 6/2009 Vardy A01K 15/026
119/710
2010/0083910 A1 4/2010 Axelrod
2012/0240866 A1 9/2012 Taylor
2013/0000564 A1 1/2013 Beckhart
2013/0273125 A1 10/2013 Barnvos

OTHER PUBLICATIONS

Pet Qwerks Barkbone, amazon.com, earliest date reviewed on Apr. 4, 2017, [online], acquired on Dec. 7, 2018. Available from Internet, <URL: https://www.amazon.com/Pet-Qwerks-Flavorit-Infused-BarkBone/dp/B06XZYS13W/ref=cm_cr_arp_d_product_top?ie=UTF8> (Year: 2017).*

* cited by examiner

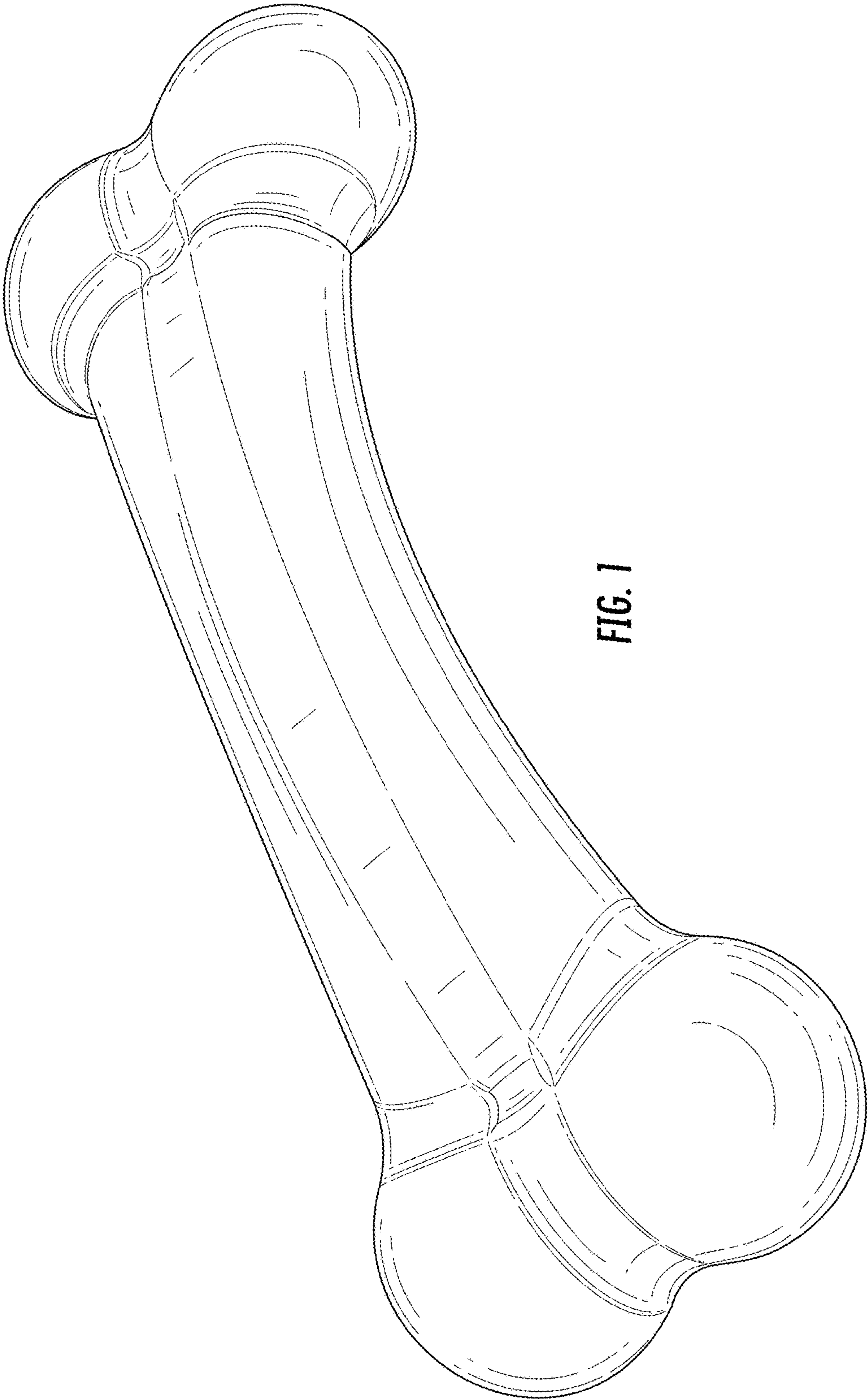


FIG. 1

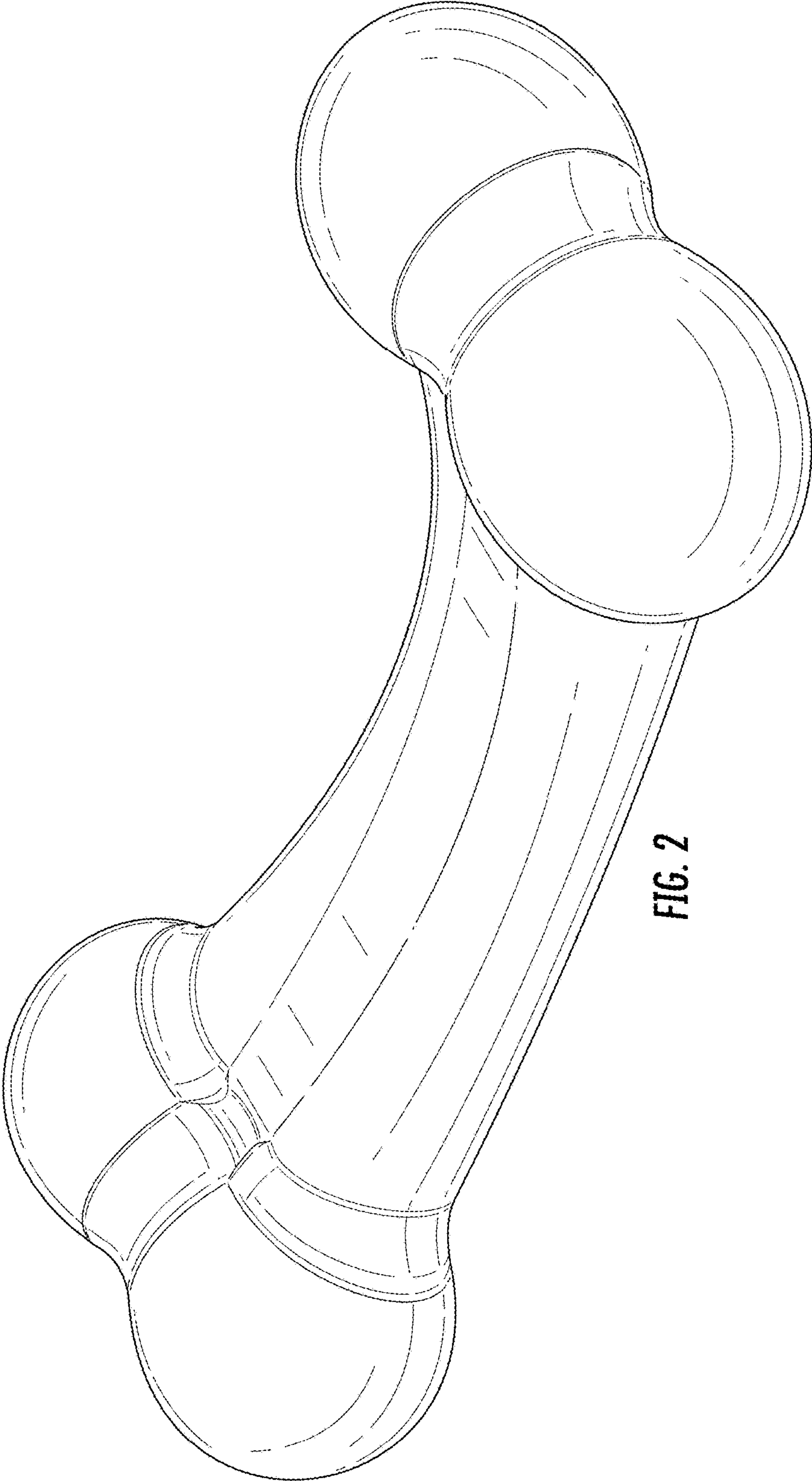


FIG. 2

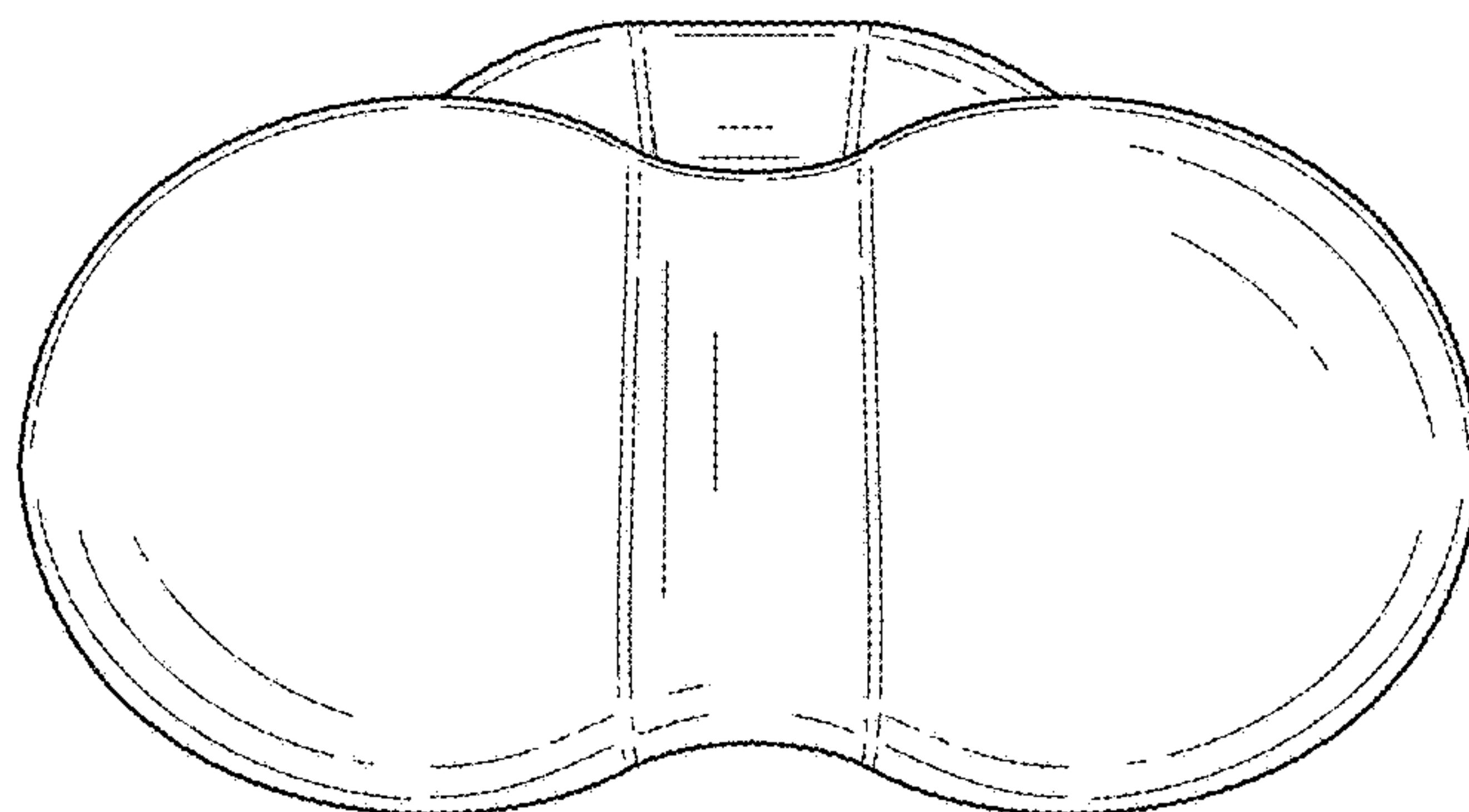


FIG. 3

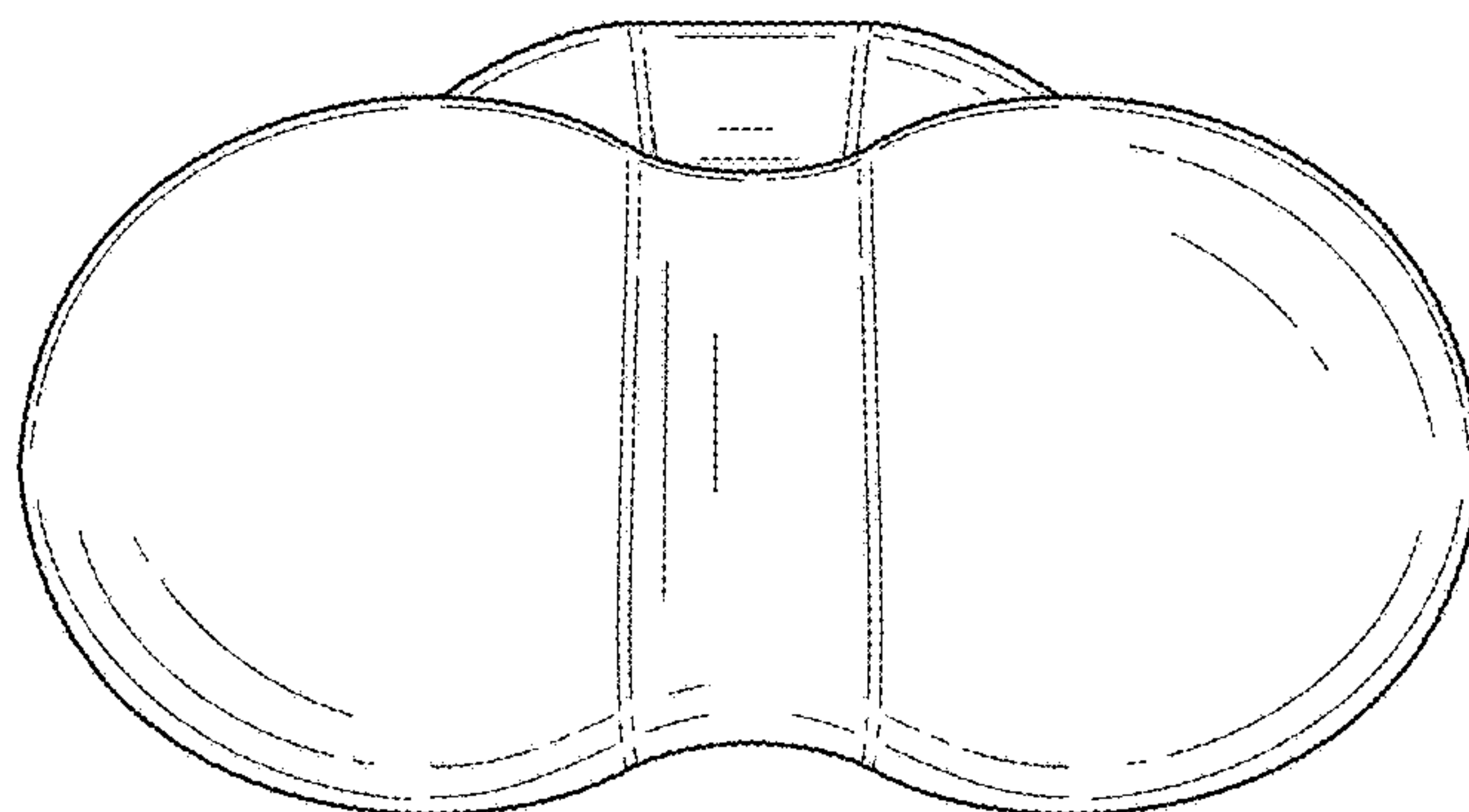


FIG. 4

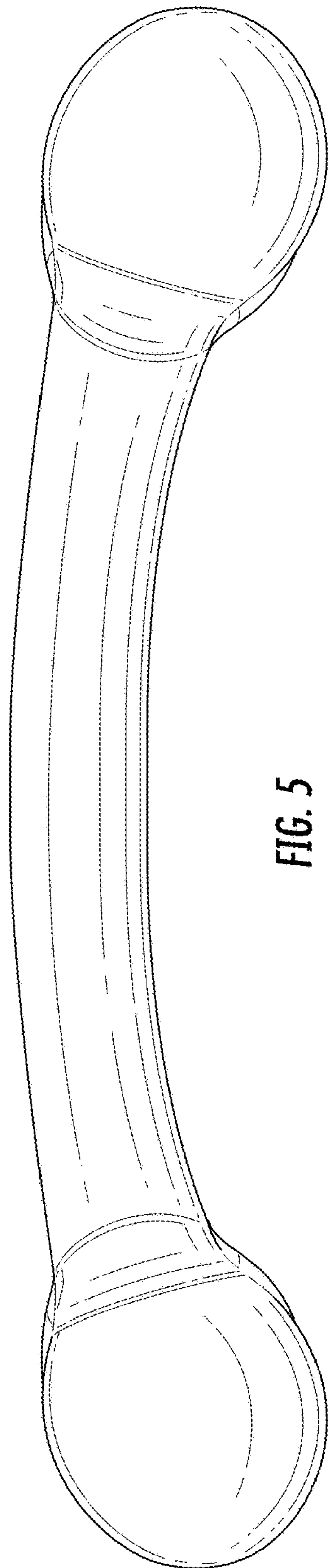


FIG. 5

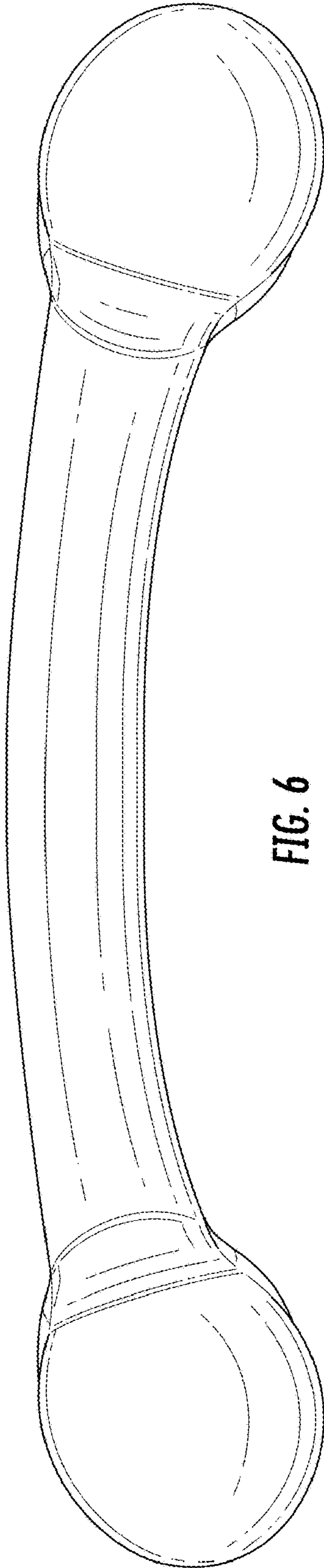


FIG. 6

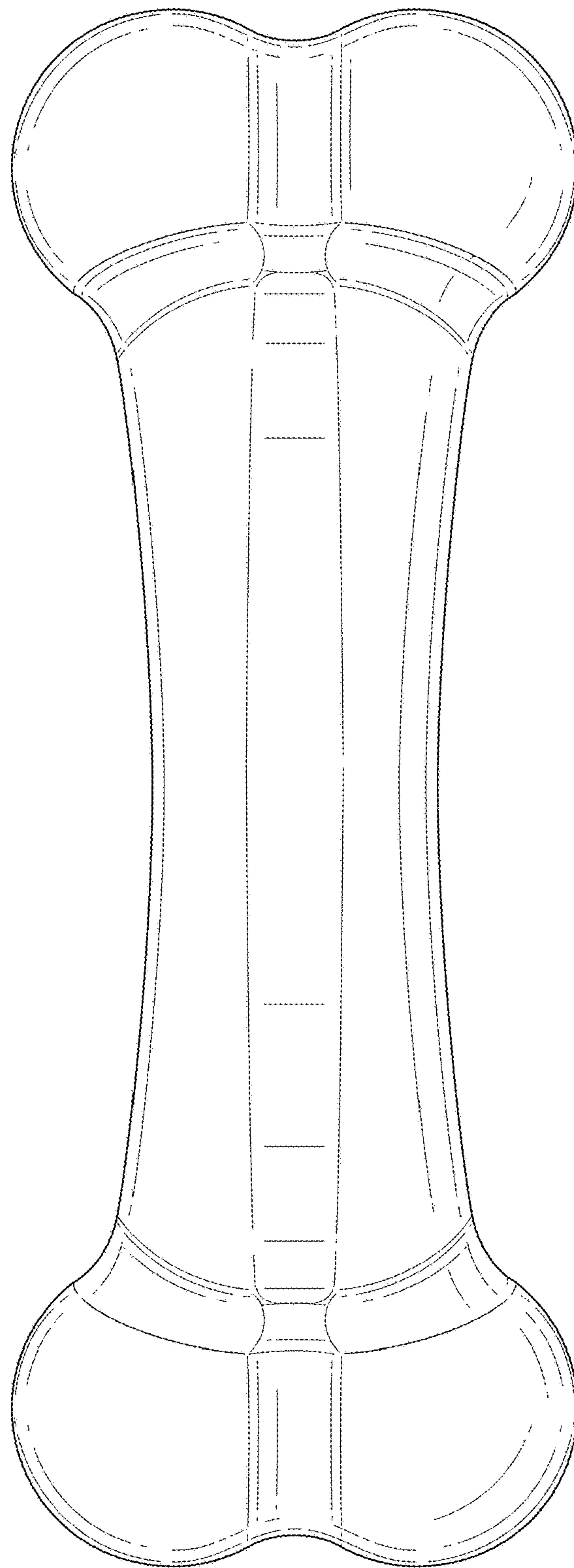


FIG. 7

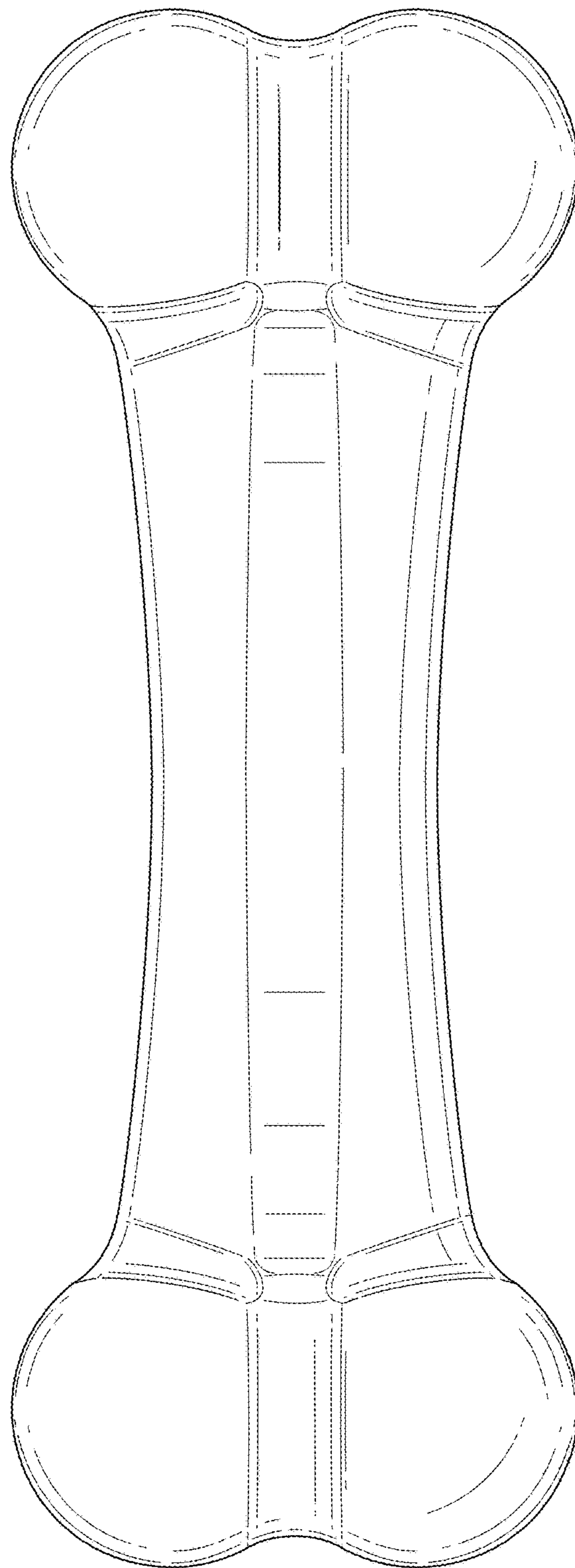


FIG. 8