



US00D858904S

(12) **United States Design Patent**
Zinn et al.

(10) **Patent No.:** **US D858,904 S**
(45) **Date of Patent:** **** Sep. 3, 2019**

(54) **RECEIVER FOR PET COLLAR**

(71) Applicant: **Radio Systems Corporation,**
Knoxville, TN (US)

(72) Inventors: **Kevin A. Zinn,** Knoxville, TN (US);
Robert A. Nytko, Knoxville, TN (US);
Heather C. Williams, Knoxville, TN
(US)

(**) Term: **15 Years**

(21) Appl. No.: **29/606,523**

(22) Filed: **Jun. 5, 2017**

(51) **LOC (12) Cl.** **30-04**

(52) **U.S. Cl.**

USPC **D30/152; D30/199; D10/104.1**

(58) **Field of Classification Search**

USPC D30/152, 199; D11/79, 86, 87, 200–201,
D11/206–210, 214–216, 222–223, 226,
D11/230–238; D10/30, 40, 70, 50, 52,
D10/60, 61, 104.1, 104.2; D14/344, 242,
D14/203.1, 203.3, 203.5; D24/186, 191;
D16/208, 219, 201; D2/321, 624, 627,
D2/639–640; 119/863; 24/178

CPC A01K 11/006; A01K 11/008; A01K 13/00;
A01K 15/021; A01K 15/022; A01K
27/00; A01K 27/001; A01K 27/005;
A01K

(Continued)

(56) **References Cited**

U.S. PATENT DOCUMENTS

996,983 A 7/1911 Granstrom
4,335,682 A 6/1982 Gonda et al.
D298,872 S 12/1988 Cassel et al.

(Continued)

OTHER PUBLICATIONS

Training collar 1000 meters PET900B-1, published 2017 [online],
[retrieved Oct. 25, 2018], Available from Internet, URL: <https://

procanina.com/gb/training-collars/11-Petrainer-PET900B-1-training-collar-1000-meters.html>.*

(Continued)

Primary Examiner — Barbara Fox
Assistant Examiner — Mary C Ramirez

(57) **CLAIM**

The ornamental design for a receiver for pet collar, as shown and described.

DESCRIPTION

FIG. 1 is a front and right side perspective view of a receiver for a pet collar, showing our new design, in a first embodiment.

FIG. 2 is another front and right side perspective view of the design of FIG. 1, at a slightly different angle.

FIG. 3 is a bottom perspective view thereof.

FIG. 4 is a front and left side perspective view thereof.

FIG. 5 is a front elevational view thereof.

FIG. 6 is a rear elevational view thereof.

FIG. 7 is a top plan view thereof.

FIG. 8 is a bottom plan view thereof.

FIG. 9 is a right side elevation view thereof.

FIG. 10 is a left side elevational view thereof.

FIG. 11 is a front and right side perspective view of the receiver for a pet collar, showing our new design, in a second embodiment.

FIG. 12 is another front and right side perspective view of the design of FIG. 11, at a slightly different angle.

FIG. 13 is a bottom perspective view thereof.

FIG. 14 is a front and left side perspective view thereof.

FIG. 15 is a front elevational view thereof.

FIG. 16 is a rear elevational view thereof.

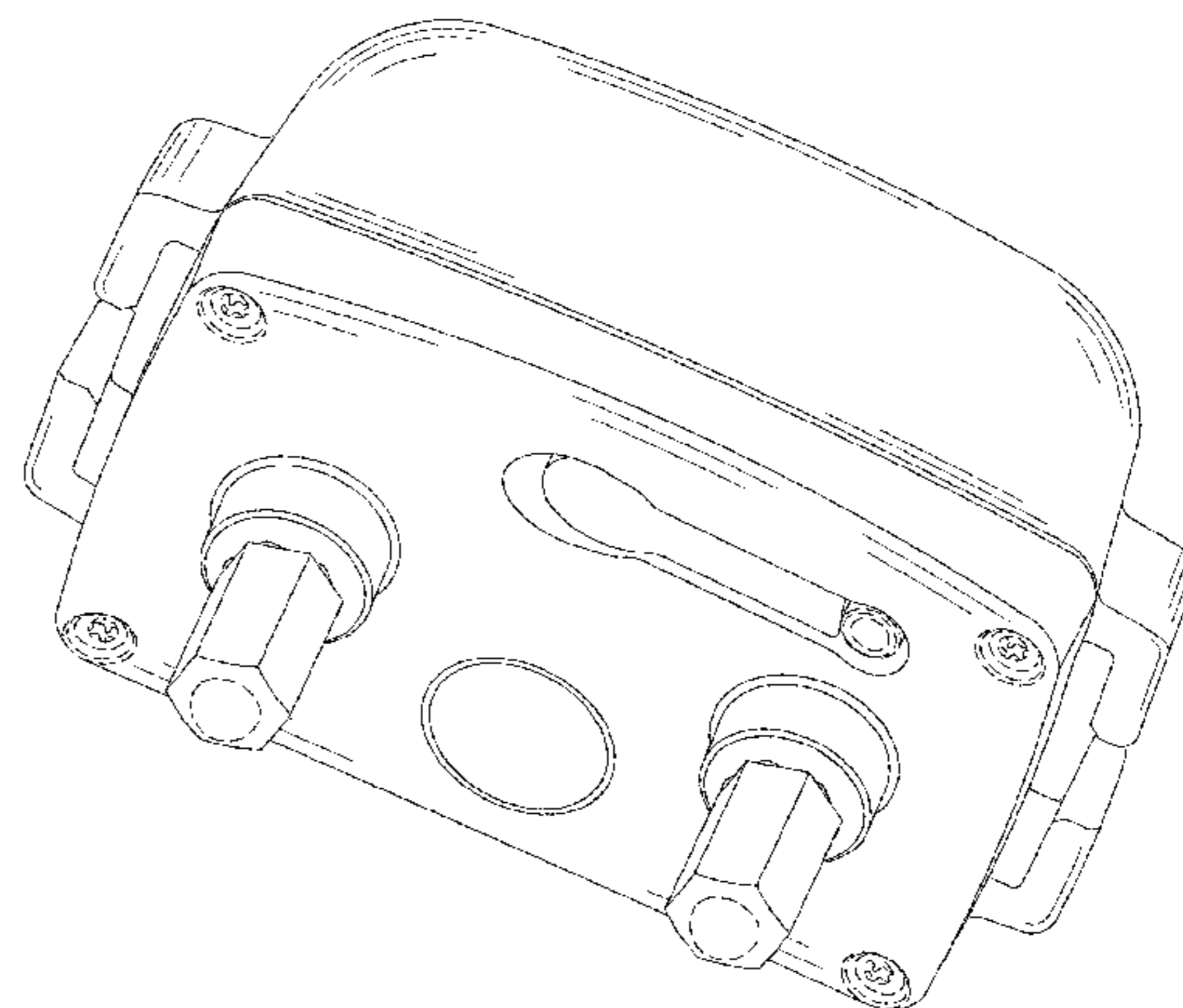
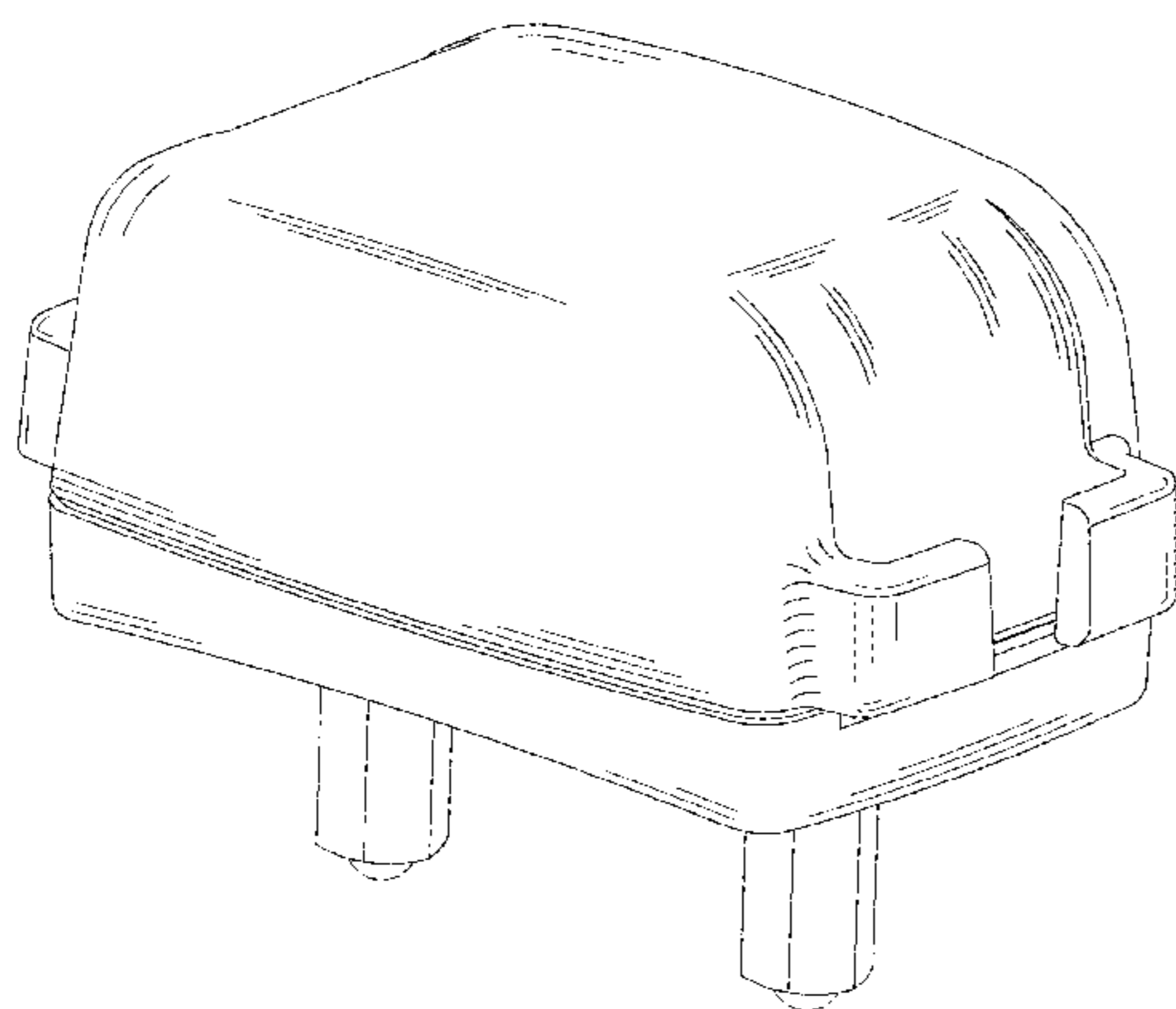
FIG. 17 is a top plan view thereof.

FIG. 18 is a bottom plan view thereof.

FIG. 19 is a right side elevation view thereof; and,

FIG. 20 is a left side elevational view thereof.

(Continued)



The broken lines shown in the drawings depict portions of the receiver for pet collar that form no part of the claimed design.

1 Claim, 10 Drawing Sheets

(58) **Field of Classification Search**

CPC .. 27/009; A01K 27/008; A01K 27/006; A01K 29/00

See application file for complete search history.

(56) **References Cited**

U.S. PATENT DOCUMENTS

4,794,402 A 12/1988 Gonda et al.
 4,802,482 A 2/1989 Gonda et al.
 D306,504 S 3/1990 Young
 5,054,428 A 10/1991 Farkus
 5,099,797 A 3/1992 Gonda
 D330,173 S * 10/1992 Juliana D30/152
 5,193,484 A 3/1993 Gonda
 5,207,178 A 5/1993 McDade et al.
 D336,055 S * 6/1993 Juliana D30/152
 5,526,006 A 6/1996 Akahane et al.
 5,601,054 A 2/1997 So
 5,815,077 A 9/1998 Christiansen
 D400,458 S * 11/1998 Titus D10/104.1
 D410,206 S * 5/1999 Slater D10/104.1
 6,003,474 A 12/1999 Slater et al.
 6,019,066 A 2/2000 Taylor
 D444,599 S * 7/2001 Guerry, Jr. D20/27
 D445,352 S * 7/2001 So D30/199
 6,327,999 B1 12/2001 Gerig
 6,360,697 B1 3/2002 Williams
 D473,481 S * 4/2003 So D10/104.1
 6,598,563 B2 7/2003 Kim et al.
 D478,830 S * 8/2003 So D30/152
 D478,831 S * 8/2003 So D10/104.1
 D482,979 S * 12/2003 So D10/104.1
 6,907,844 B1 6/2005 Crist
 D526,590 S * 8/2006 So D10/104.1
 7,198,009 B2 4/2007 Crist et al.
 7,222,589 B2 5/2007 Lee et al.
 7,249,572 B2 7/2007 Goetzl
 7,267,081 B2 9/2007 Steinbacher
 D553,037 S 10/2007 Zakharyan et al.
 7,574,979 B2 8/2009 Nottingham et al.
 7,667,607 B2 2/2010 Gerig et al.
 7,685,971 B1 * 3/2010 Bethke A01K 15/021
 119/719
 7,900,585 B2 3/2011 Lee, IV et al.
 8,069,823 B2 12/2011 Mainini et al.
 8,098,164 B2 1/2012 Gerig et al.
 8,181,607 B2 5/2012 Kim
 D661,846 S 6/2012 Miller et al.
 D665,952 S 8/2012 Guo
 D666,367 S 8/2012 Miller et al.
 D673,334 S 12/2012 Guo

8,342,134 B2 1/2013 Lee, IV et al.
 8,342,135 B2 1/2013 Peinetti et al.
 D683,915 S * 6/2013 So D30/152
 D699,758 S 2/2014 Lavin et al.
 8,714,113 B2 5/2014 Lee, IV et al.
 D706,500 S 6/2014 Hu
 8,803,692 B2 8/2014 Goetzl et al.
 D714,498 S * 9/2014 Khubani D30/152
 D725,841 S 3/2015 So
 D745,229 S 12/2015 Pulliam et al.
 D761,499 S 7/2016 Pulliam et al.
 D762,333 S 7/2016 Pulliam et al.
 D798,003 S * 9/2017 Dong D30/199
 D816,918 S * 5/2018 Li D30/152
 D822,516 S * 7/2018 Van Curen D10/104.1
 D829,120 S * 9/2018 Mitchell D10/104.1
 D834,769 S * 11/2018 Wen D30/199
 D835,364 S * 12/2018 Lee D30/199
 2003/0116101 A1 * 6/2003 Kim A01K 15/021
 119/720
 2005/0059909 A1 3/2005 Burges
 2005/0145196 A1 7/2005 Crist et al.
 2005/0145198 A1 * 7/2005 Crist A01K 15/022
 119/718
 2005/0159192 A1 * 7/2005 Abinanti A01K 15/022
 455/575.1
 2005/0235924 A1 10/2005 Lee et al.
 2005/0263106 A1 12/2005 Steinbacher
 2006/0102101 A1 5/2006 Kim
 2006/0112905 A1 * 6/2006 Lalor A01K 15/021
 119/859
 2008/0163827 A1 7/2008 Goetzl
 2009/0038670 A1 * 2/2009 Shu A01K 15/023
 136/244
 2009/0205583 A1 * 8/2009 So A01K 15/021
 119/719
 2010/0154721 A1 6/2010 Gerig
 2012/0272924 A1 11/2012 So
 2013/0233252 A1 9/2013 Bellon et al.
 2014/0320347 A1 * 10/2014 Rochelle A01K 15/023
 342/385
 2015/0033794 A1 * 2/2015 Ma A44C 15/0015
 63/1.13
 2015/0040839 A1 2/2015 Goetzl
 2016/0295833 A1 * 10/2016 Baize A01K 15/023
 2018/0132450 A1 * 5/2018 Goetzl A01K 27/009
 2018/0249680 A1 * 9/2018 Van Curen A01K 15/022

OTHER PUBLICATIONS

SportDOG Replacement Dog Collar Receiver at www.llbean.com, accessed Mar. 27, 2016.
 PetSafe In-Ground Fence Dog Collar Receiver at www.flexpetz.com accessed Mar. 27, 2016.
 Petrainer E-collar for Dogs at www.i-pets-mall accessed Mar. 27, 2016.
 PetSafe Wireless Fence System with dog boundary collar at www.petsafe.net accessed Mar. 27, 2016.

* cited by examiner

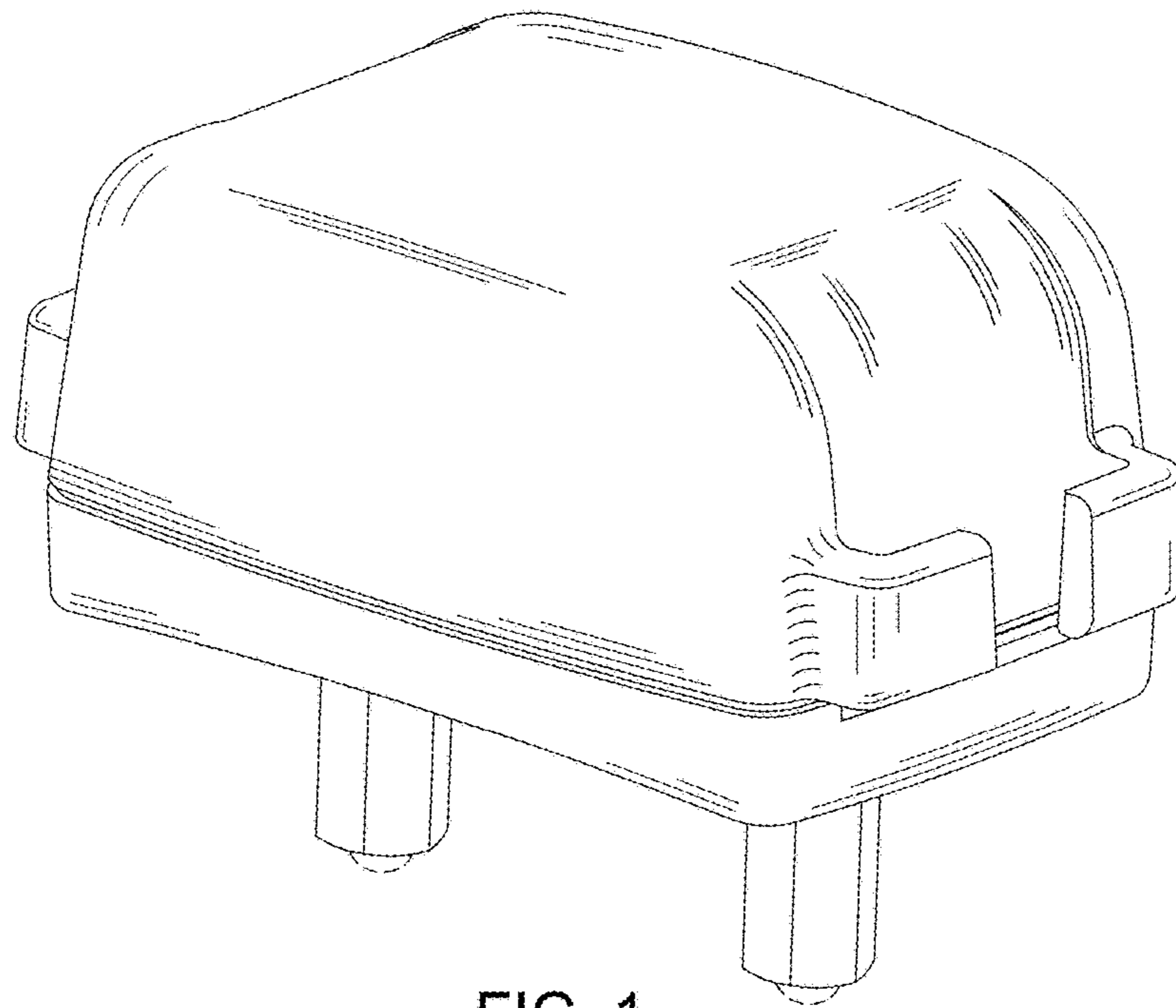


FIG. 1

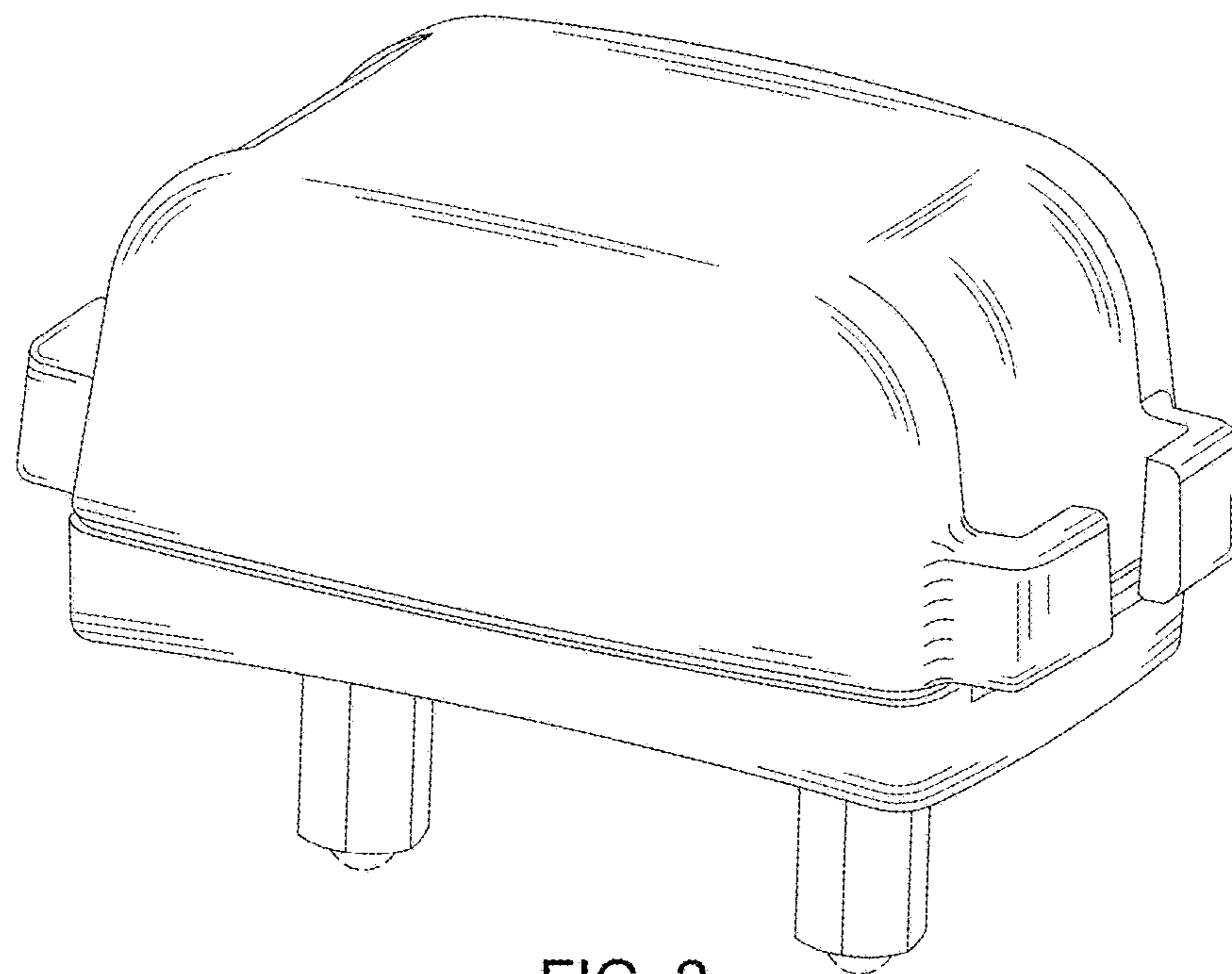


FIG. 2

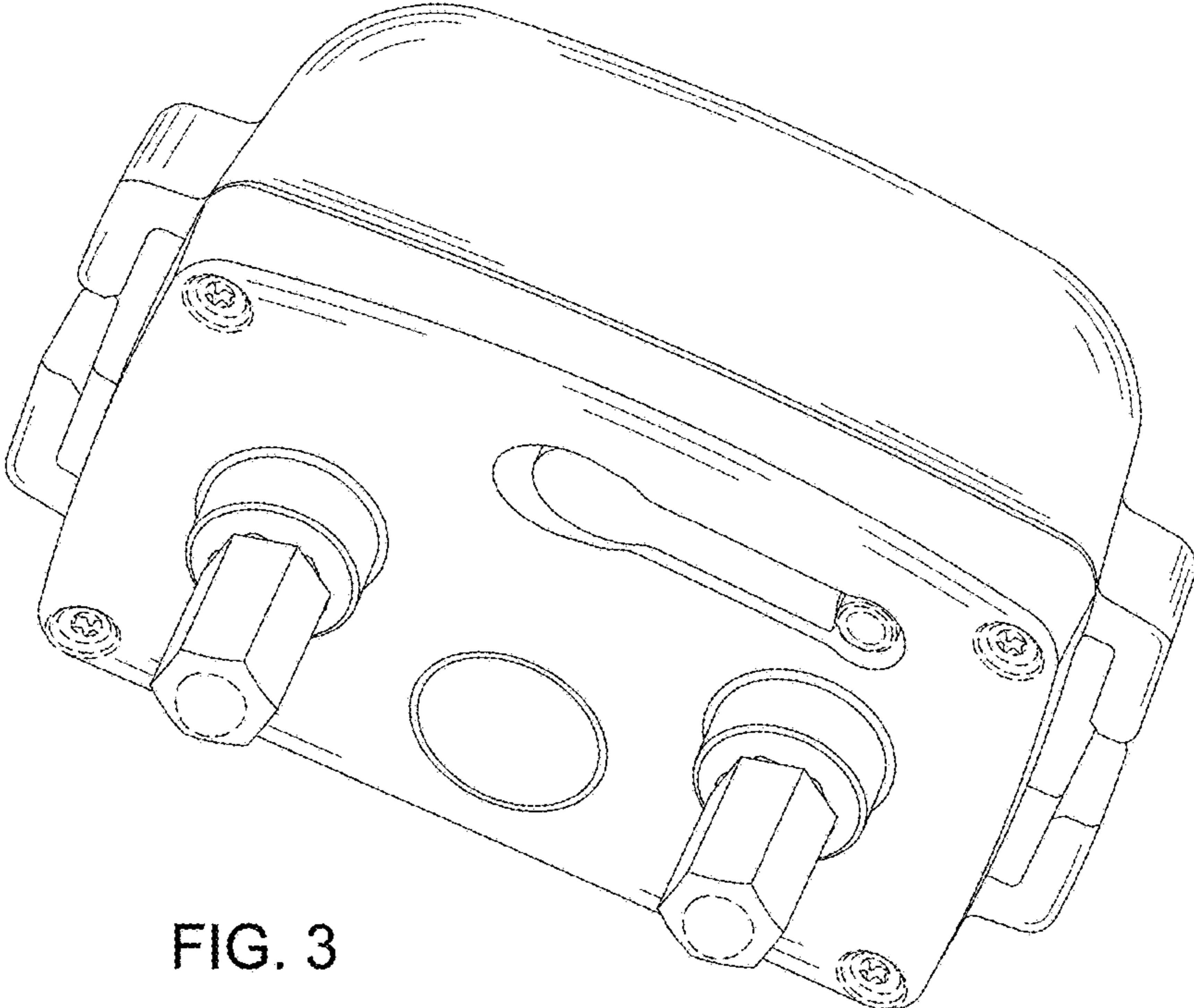
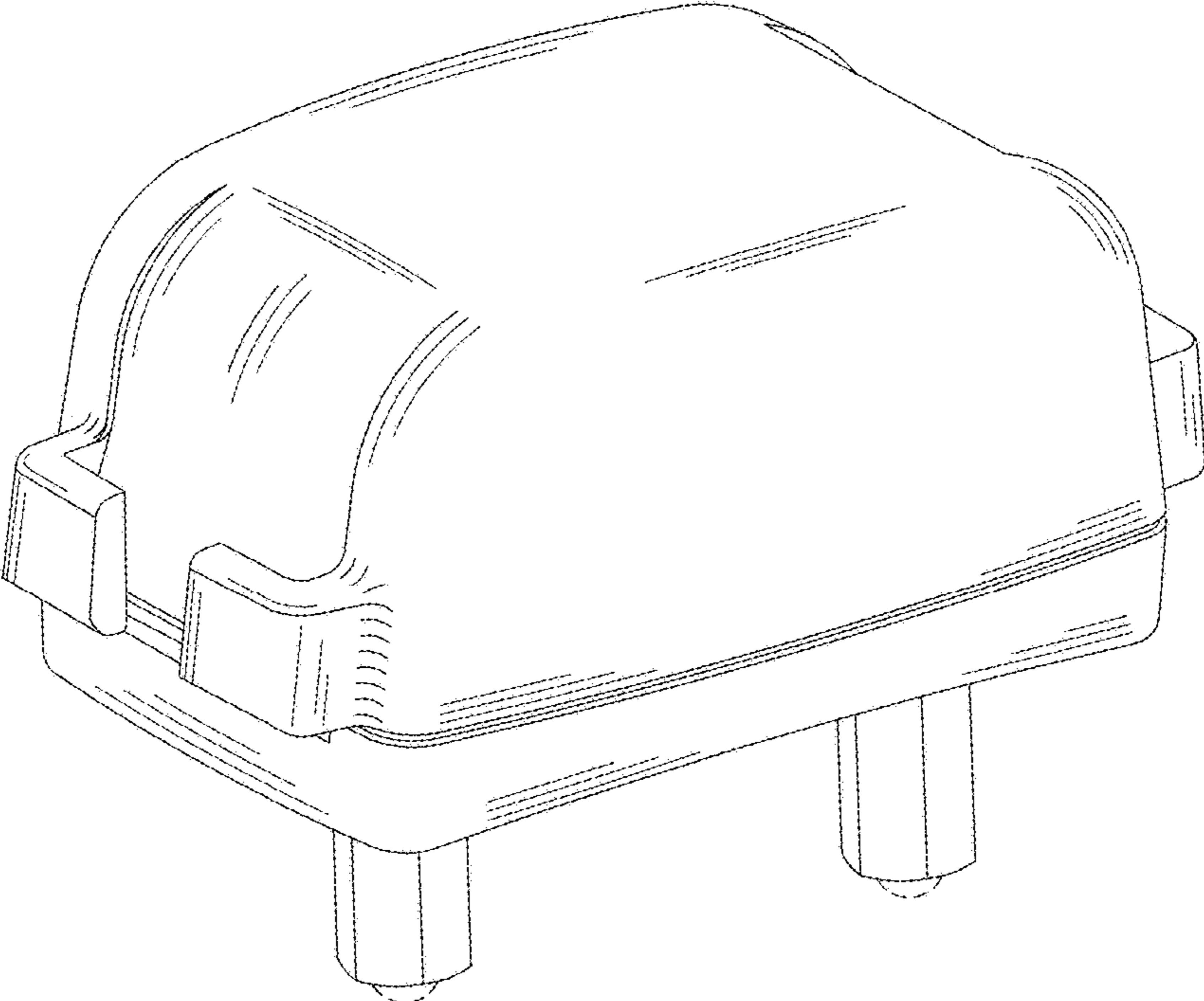


FIG. 3

FIG. 4



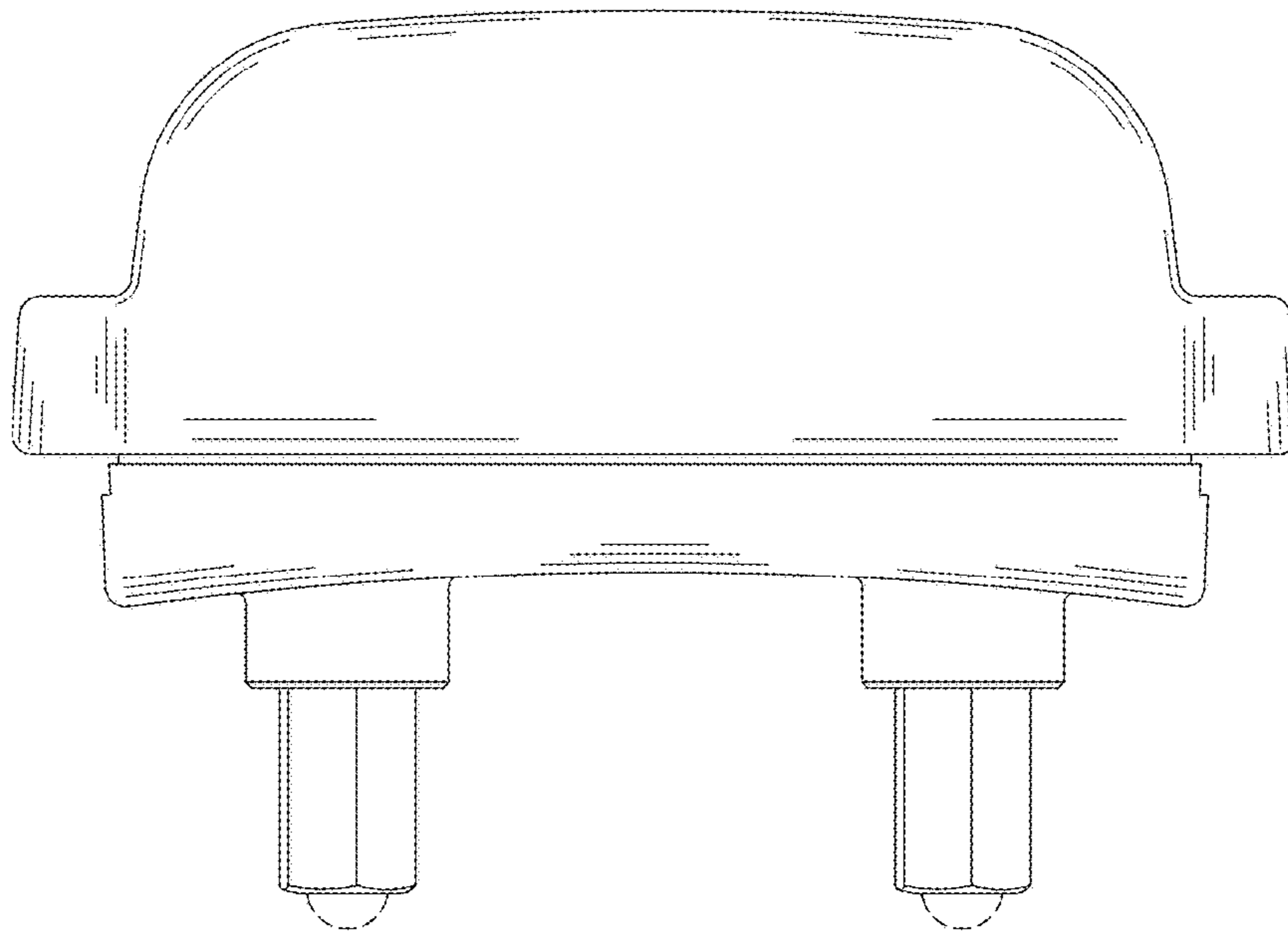


FIG. 5

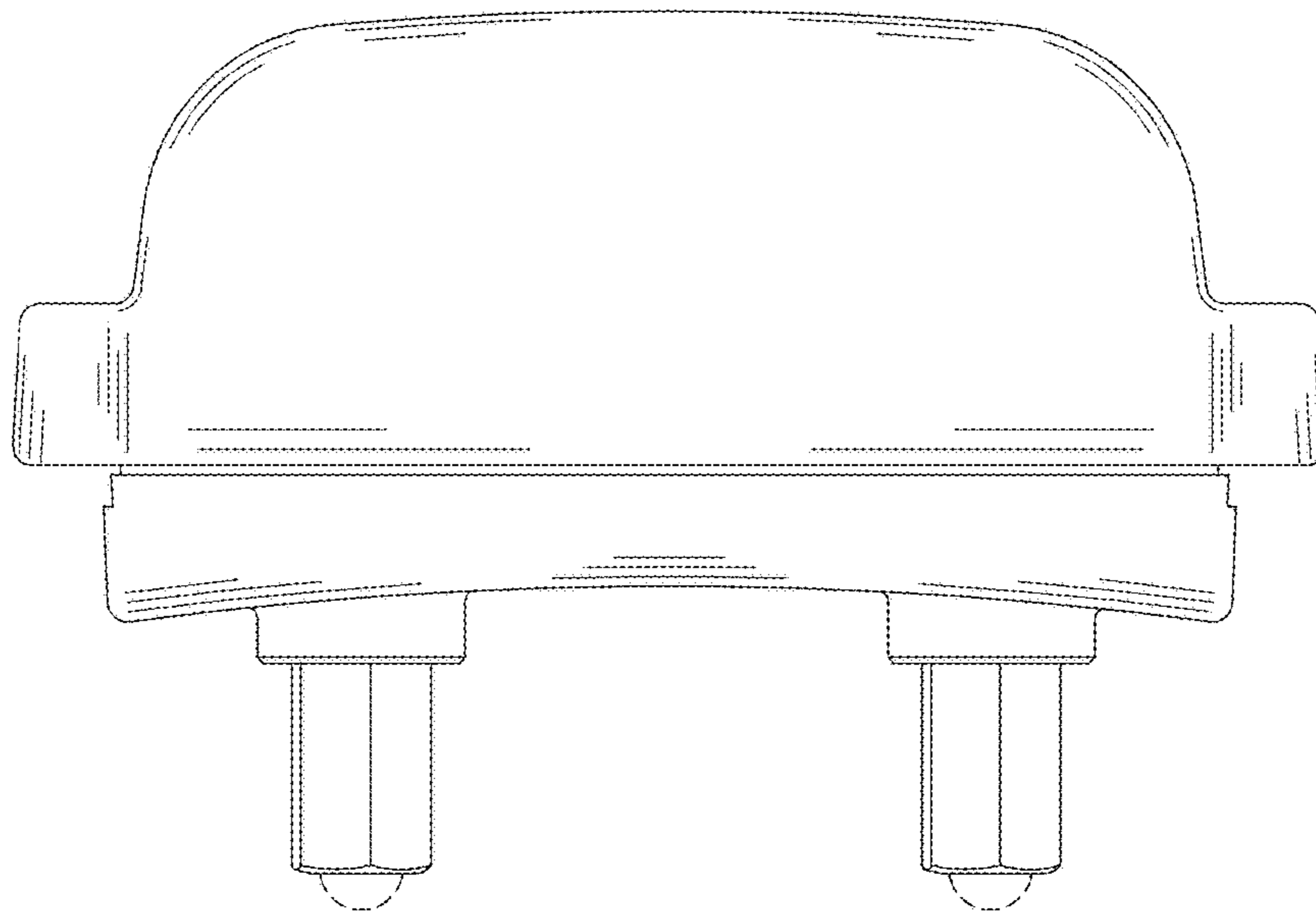


FIG. 6

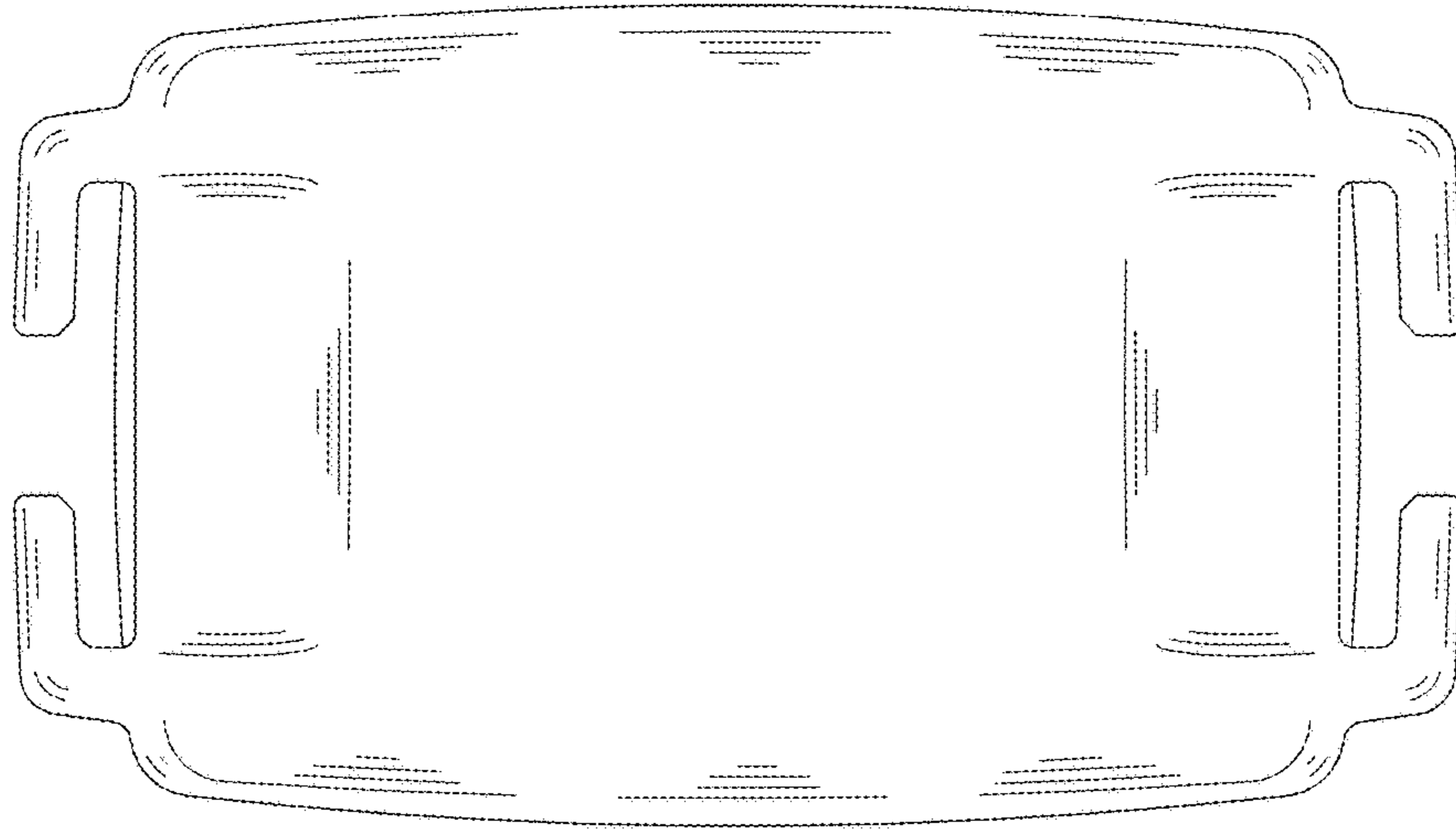


FIG. 7

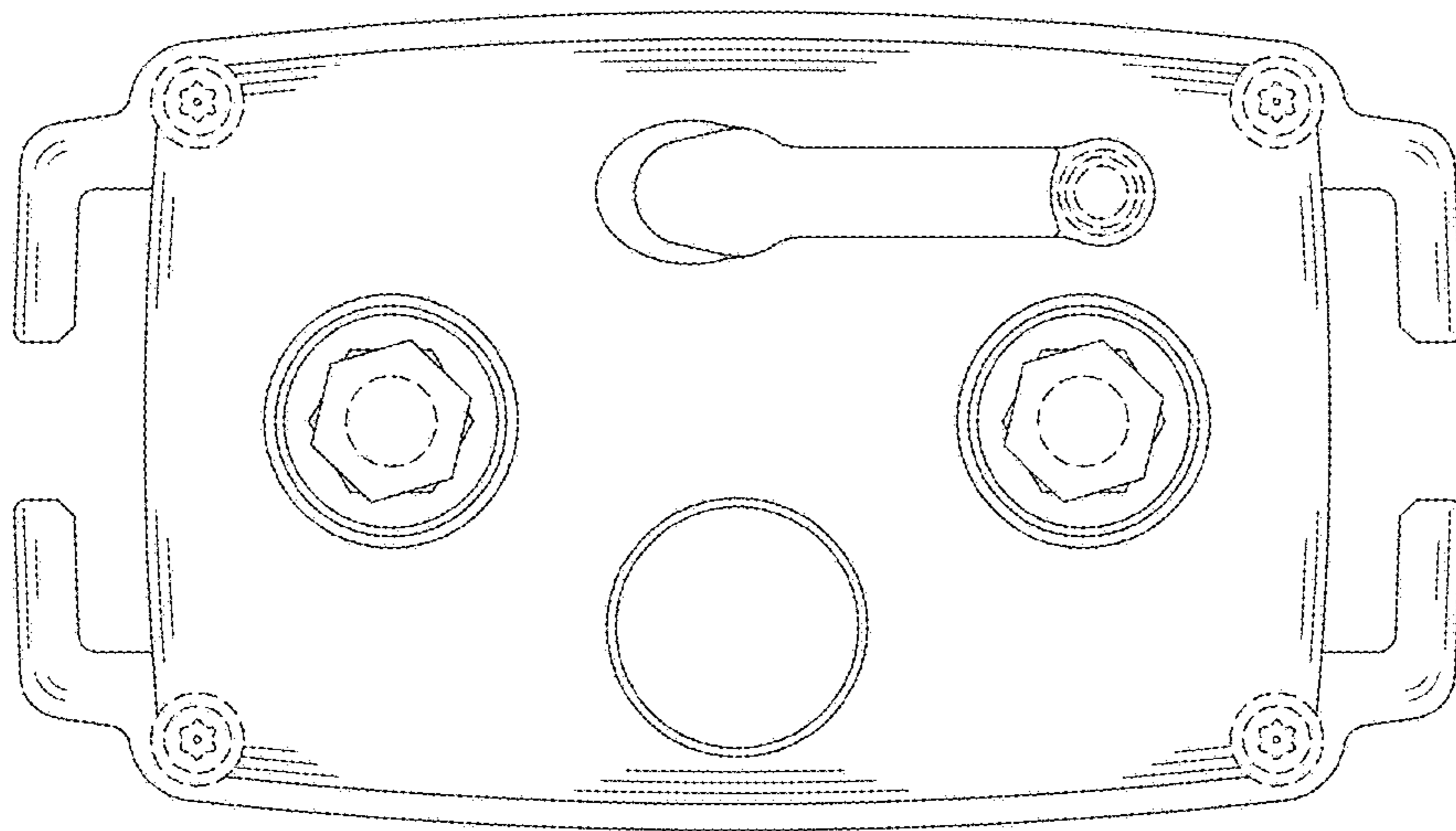


FIG. 8

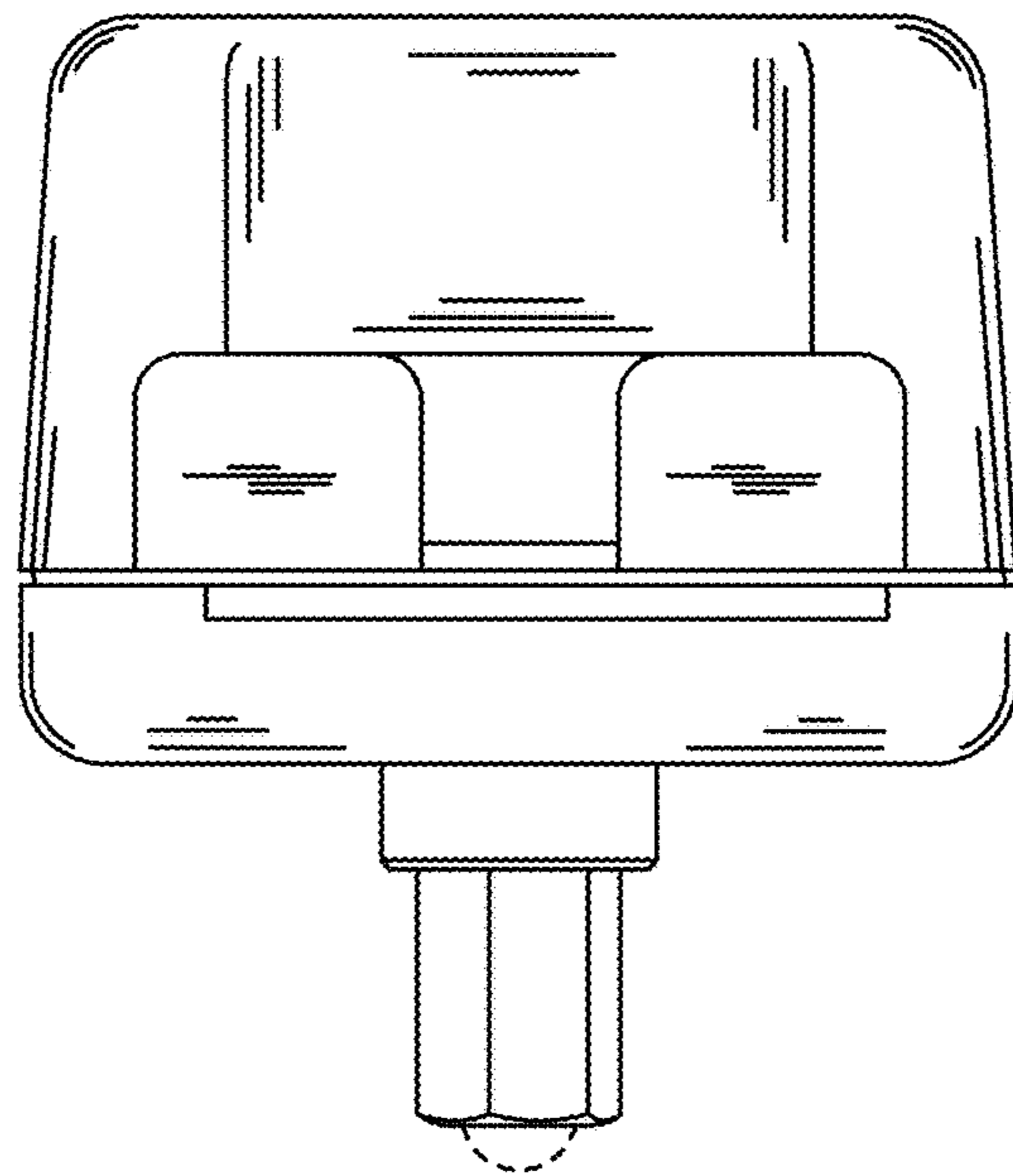


FIG. 9

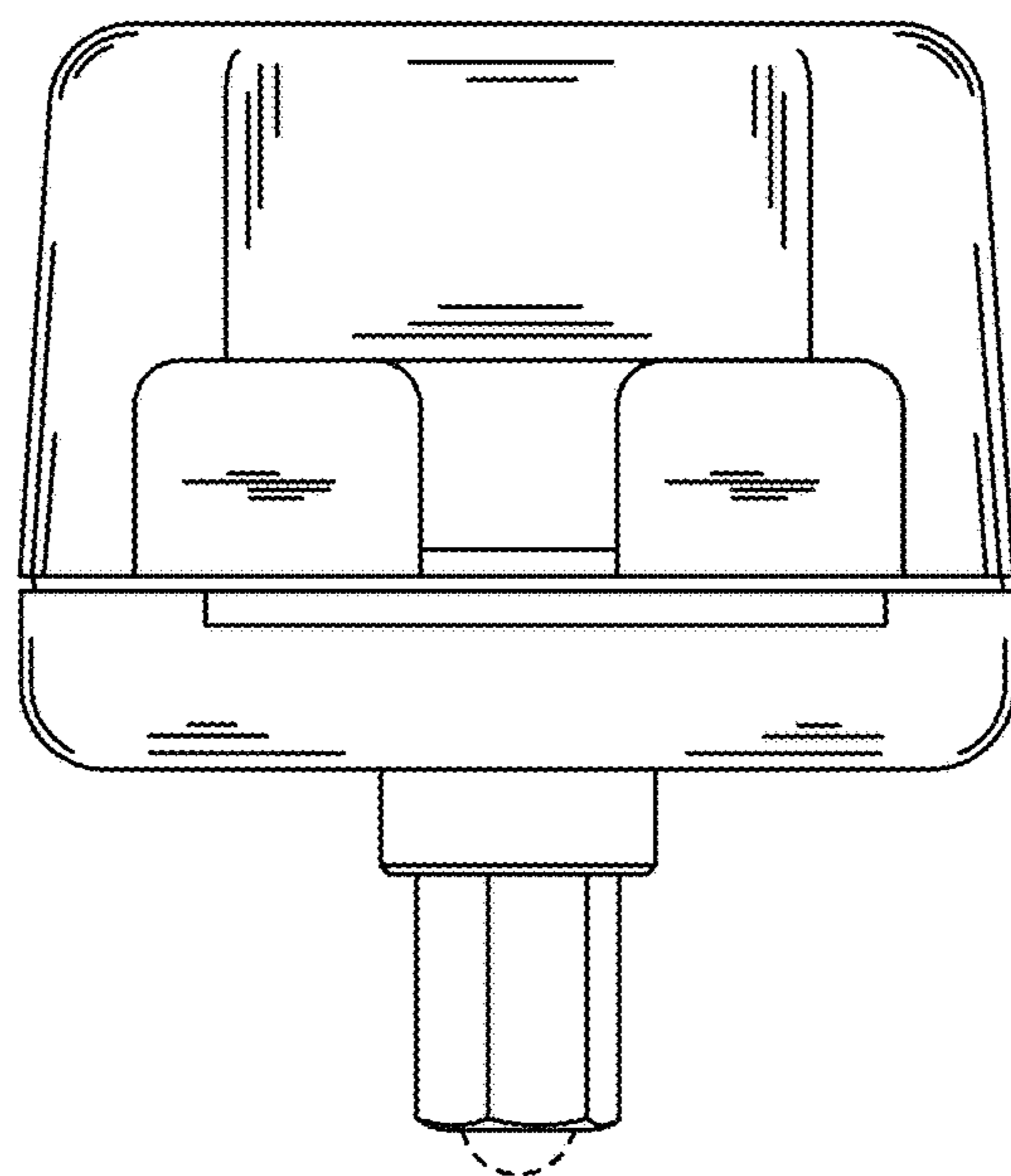


FIG. 10

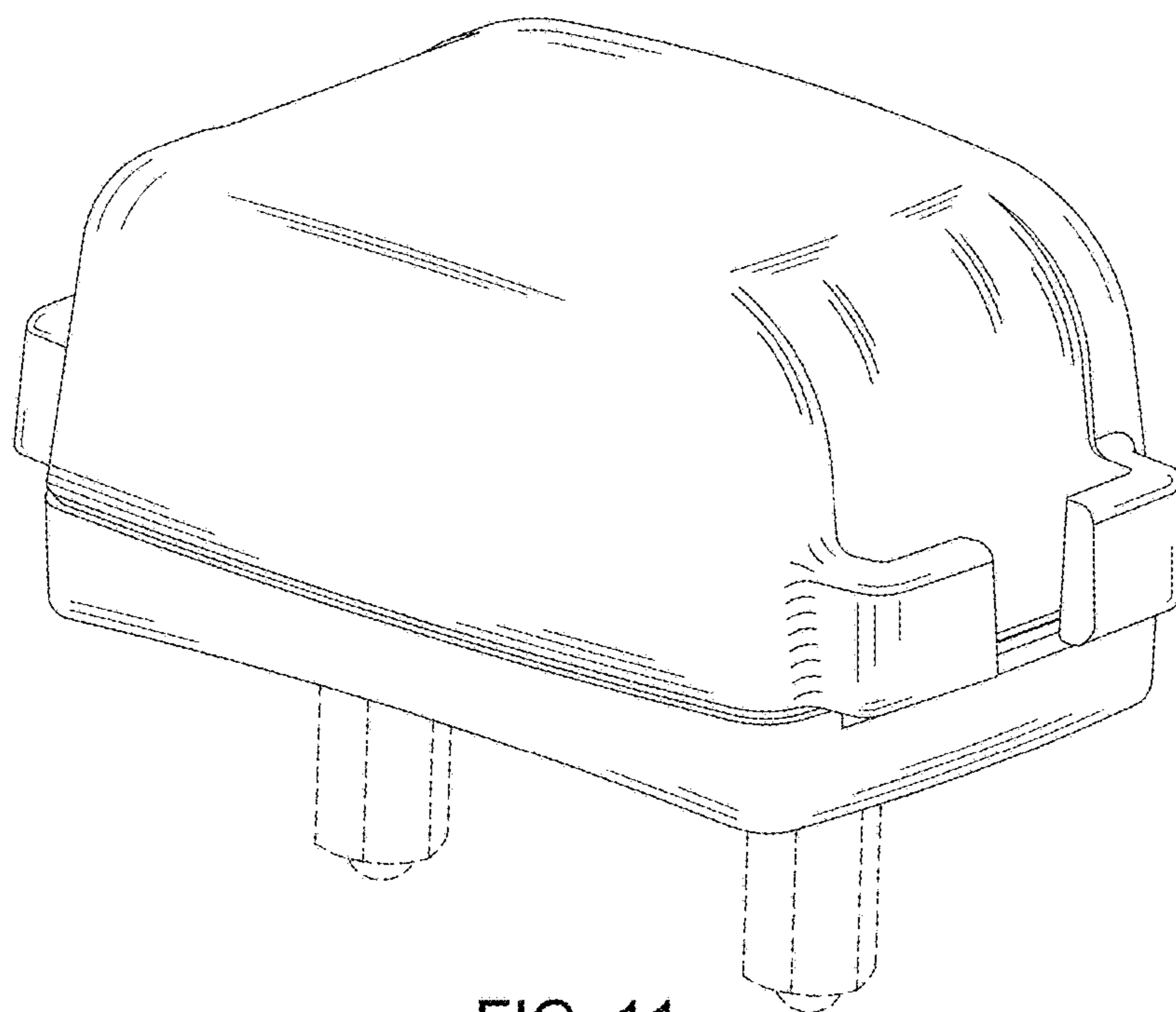


FIG. 11

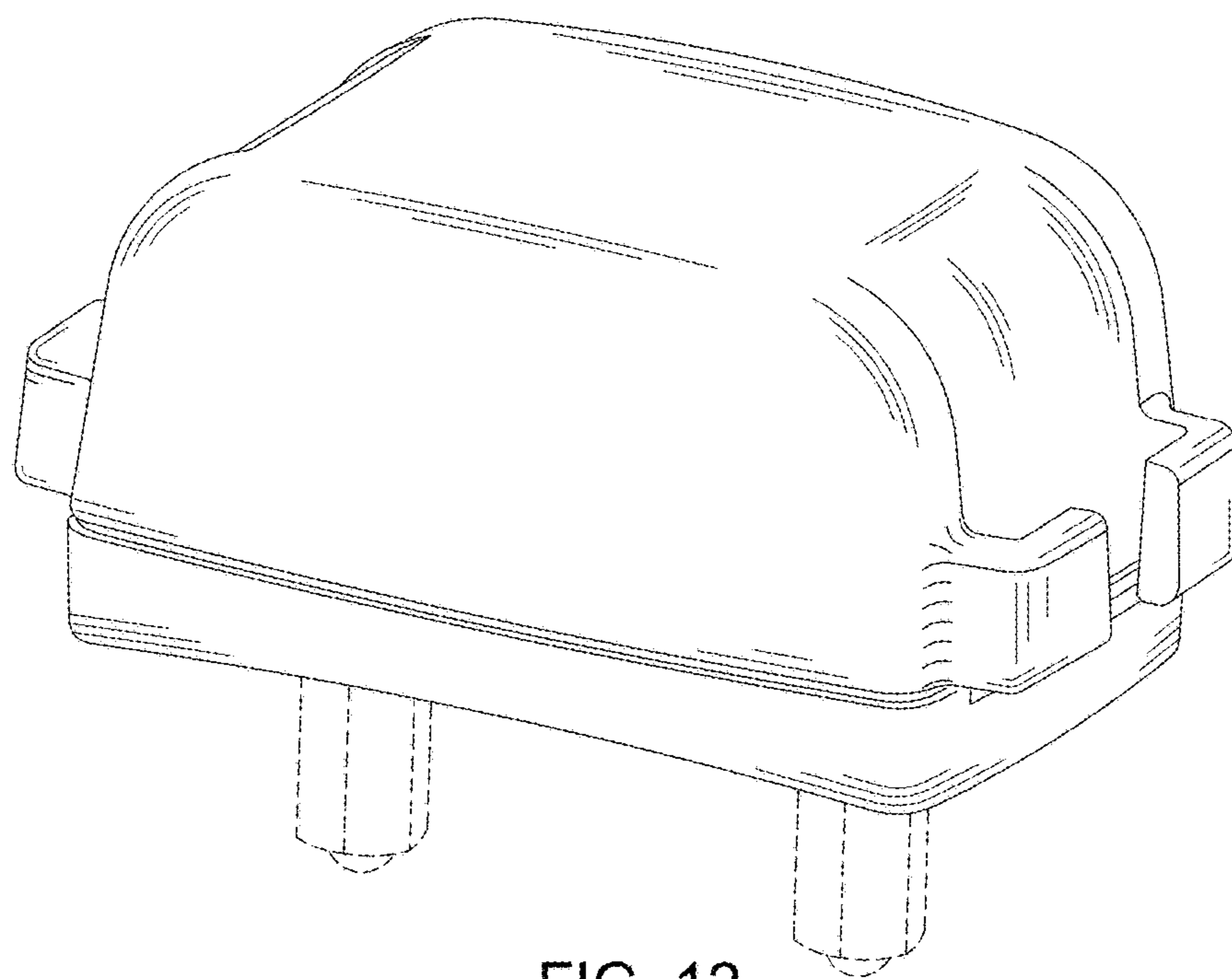


FIG. 12

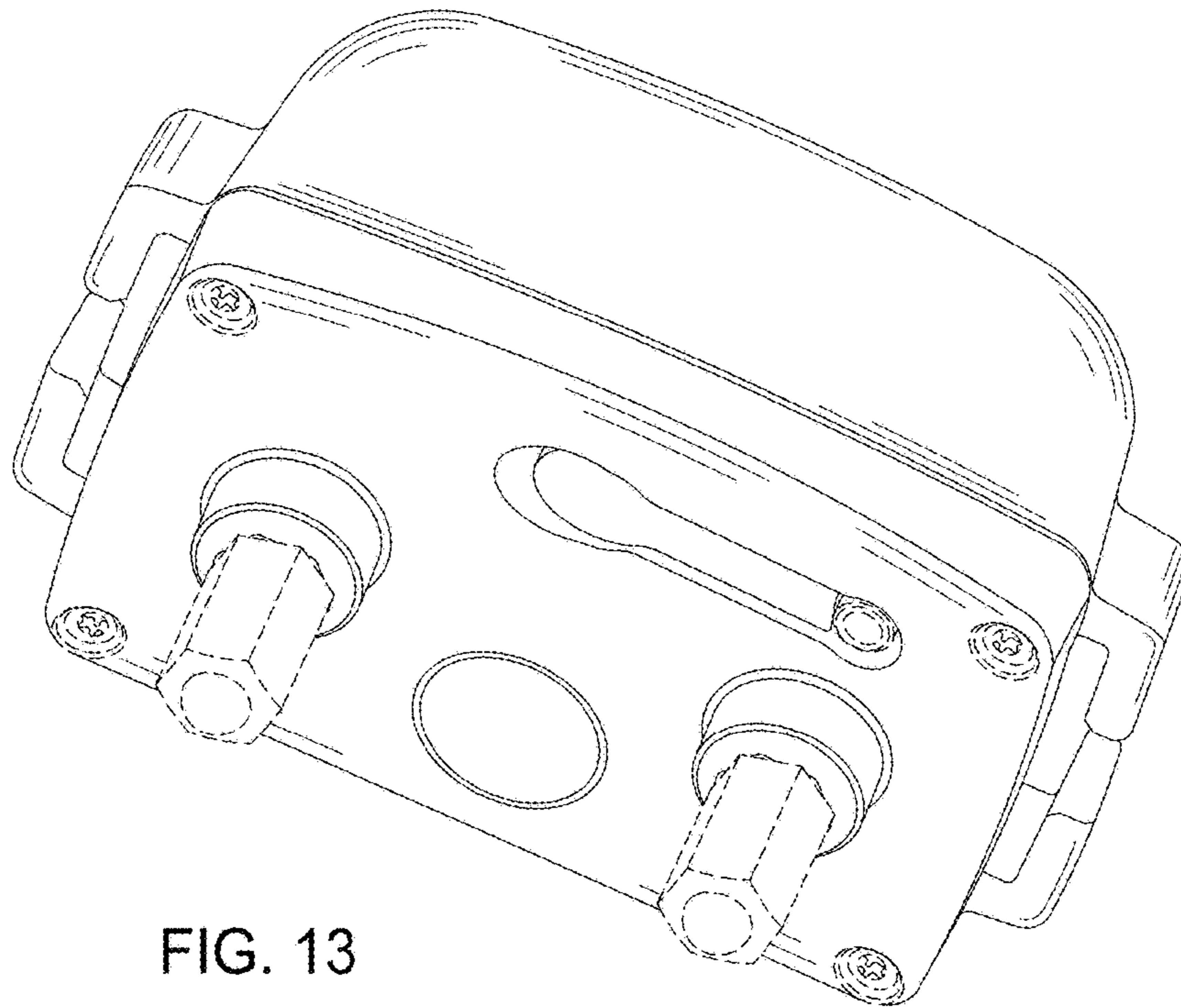


FIG. 13

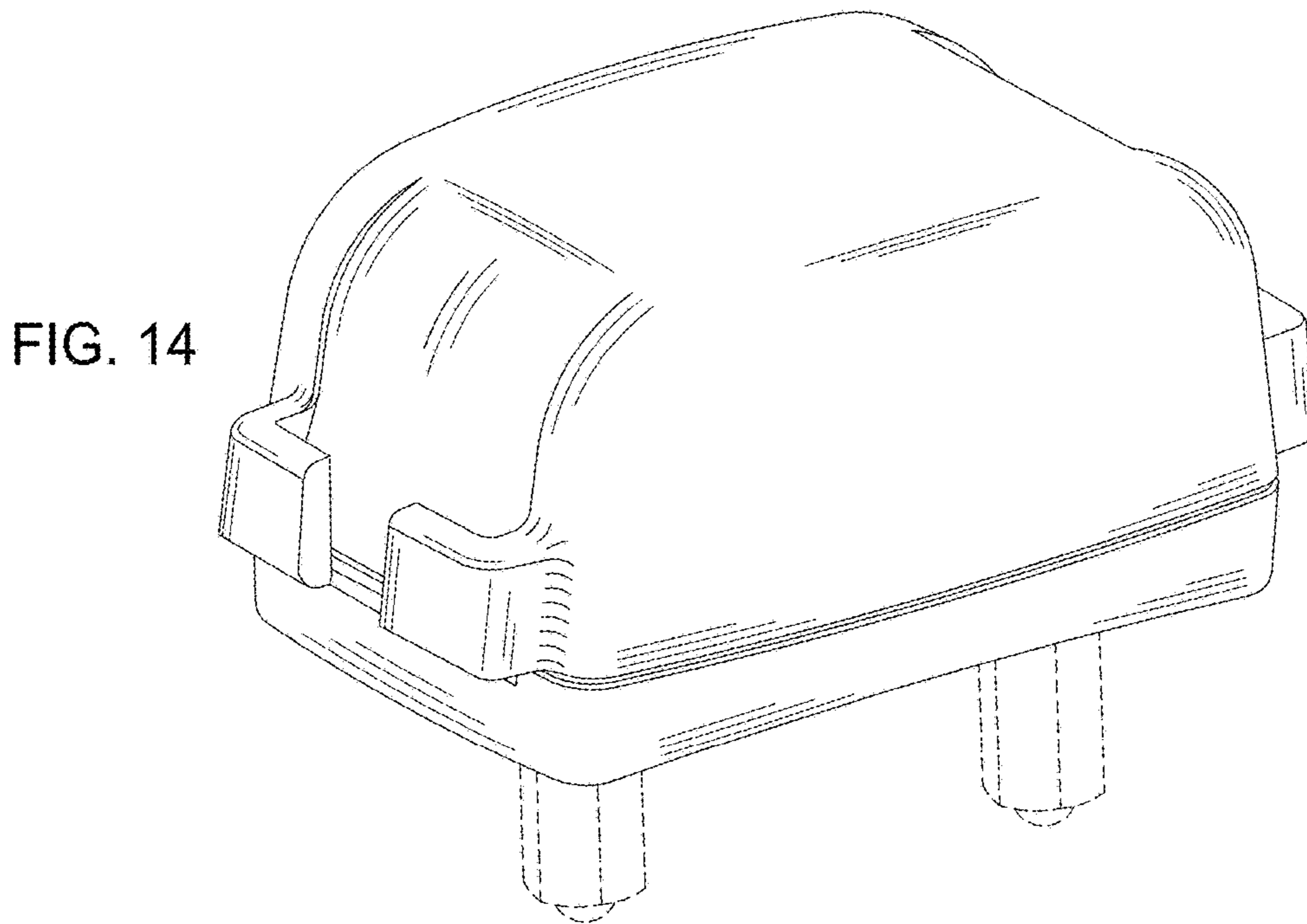


FIG. 14

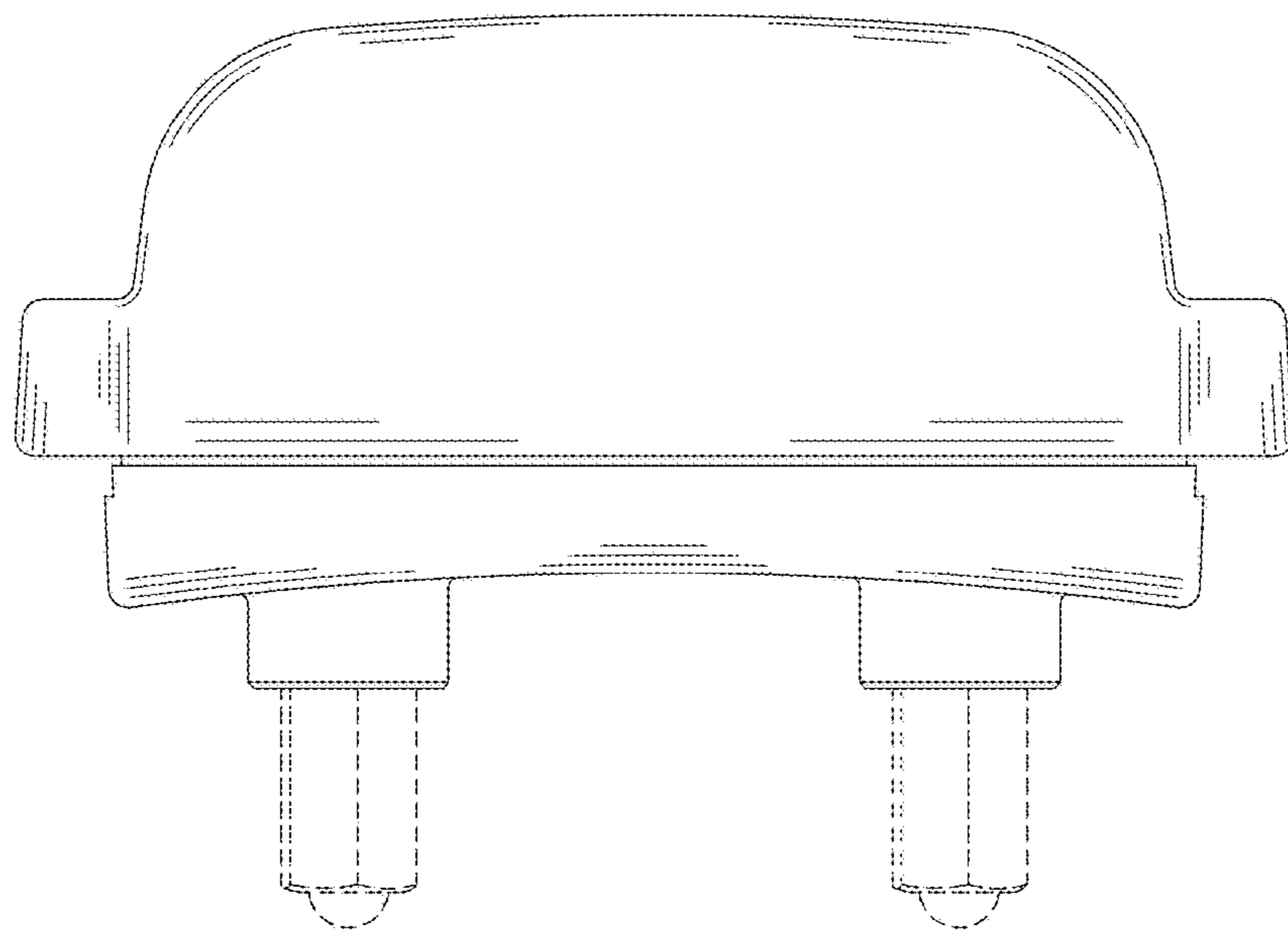


FIG. 15

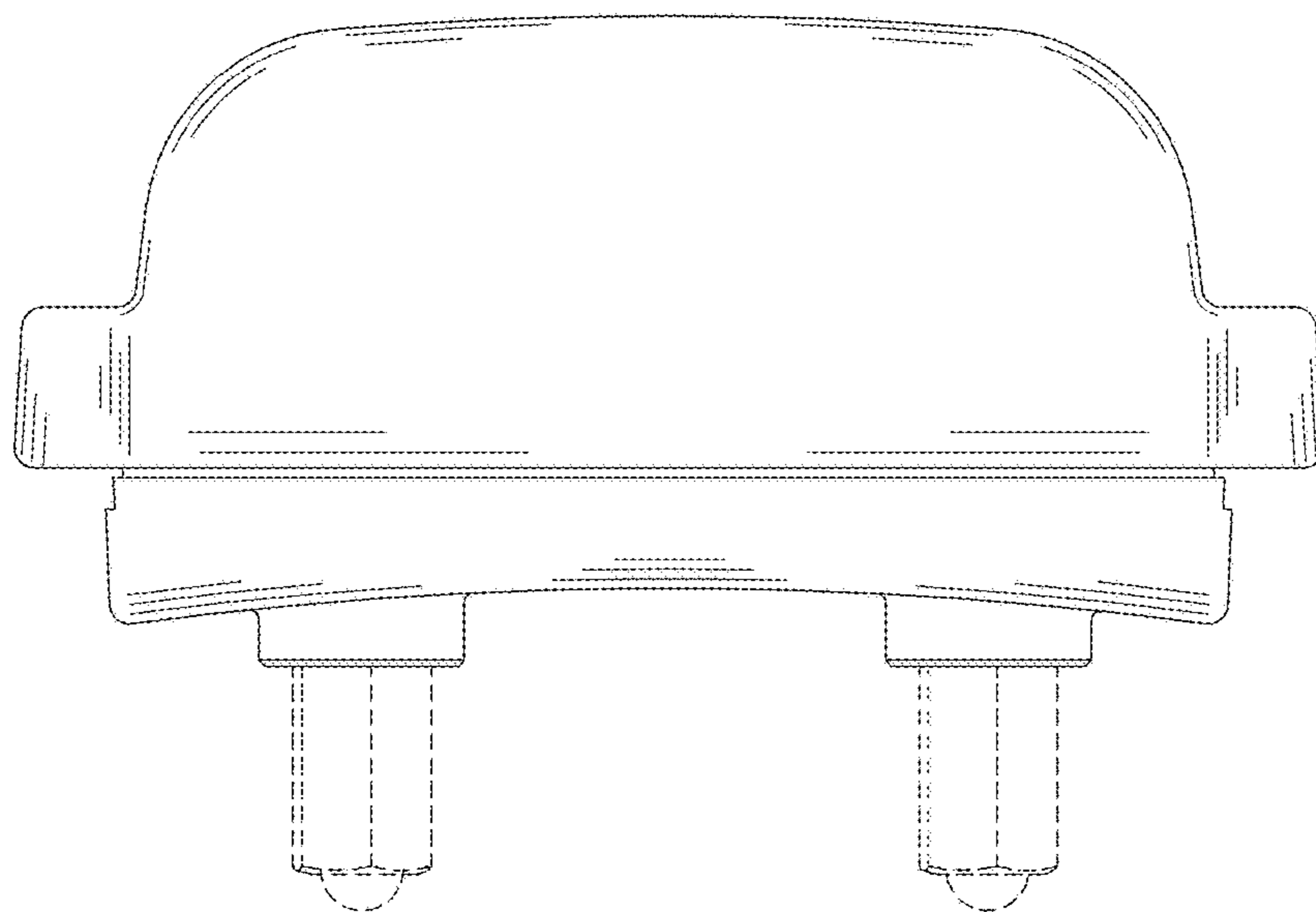


FIG. 16

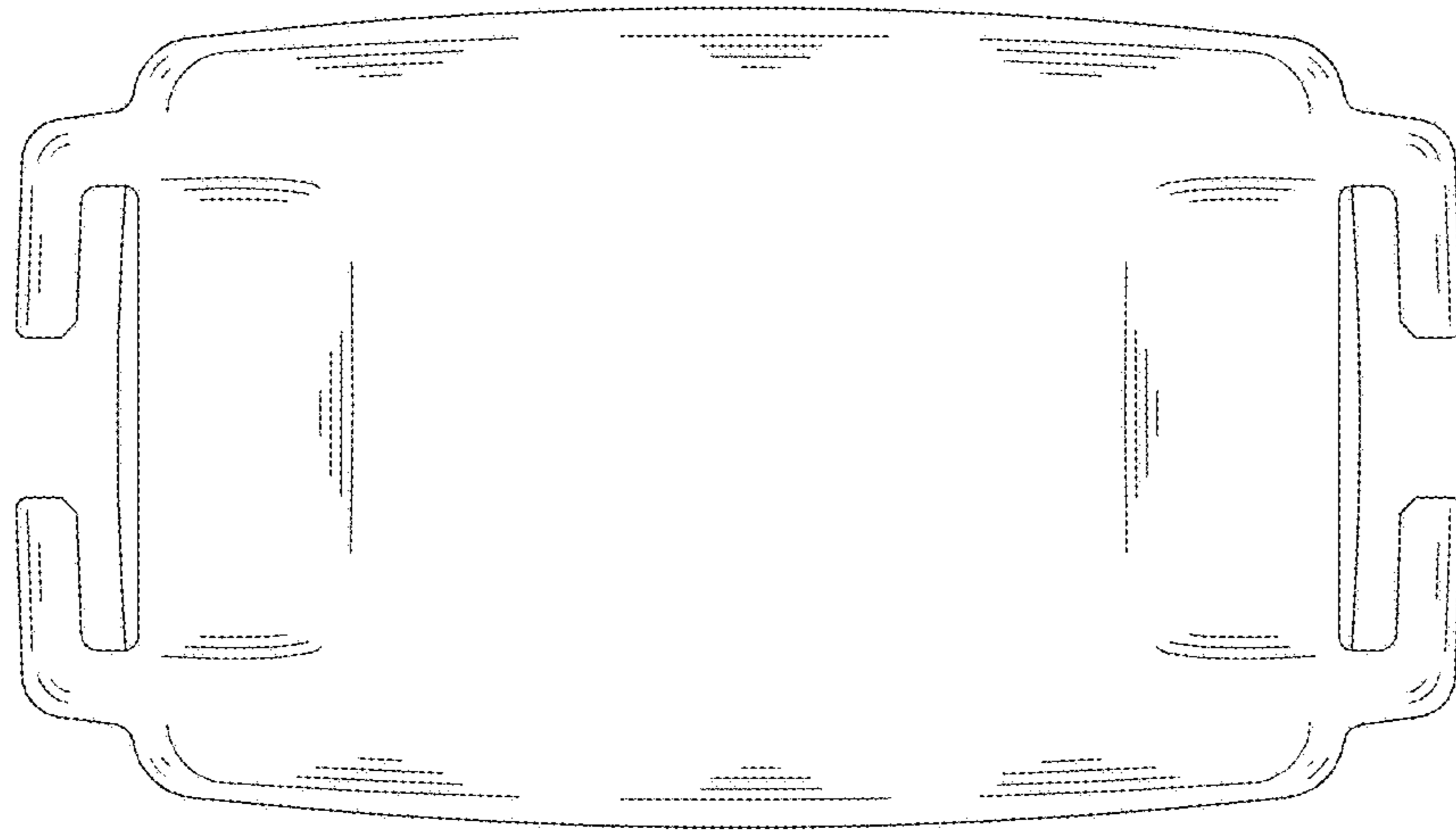


FIG. 17

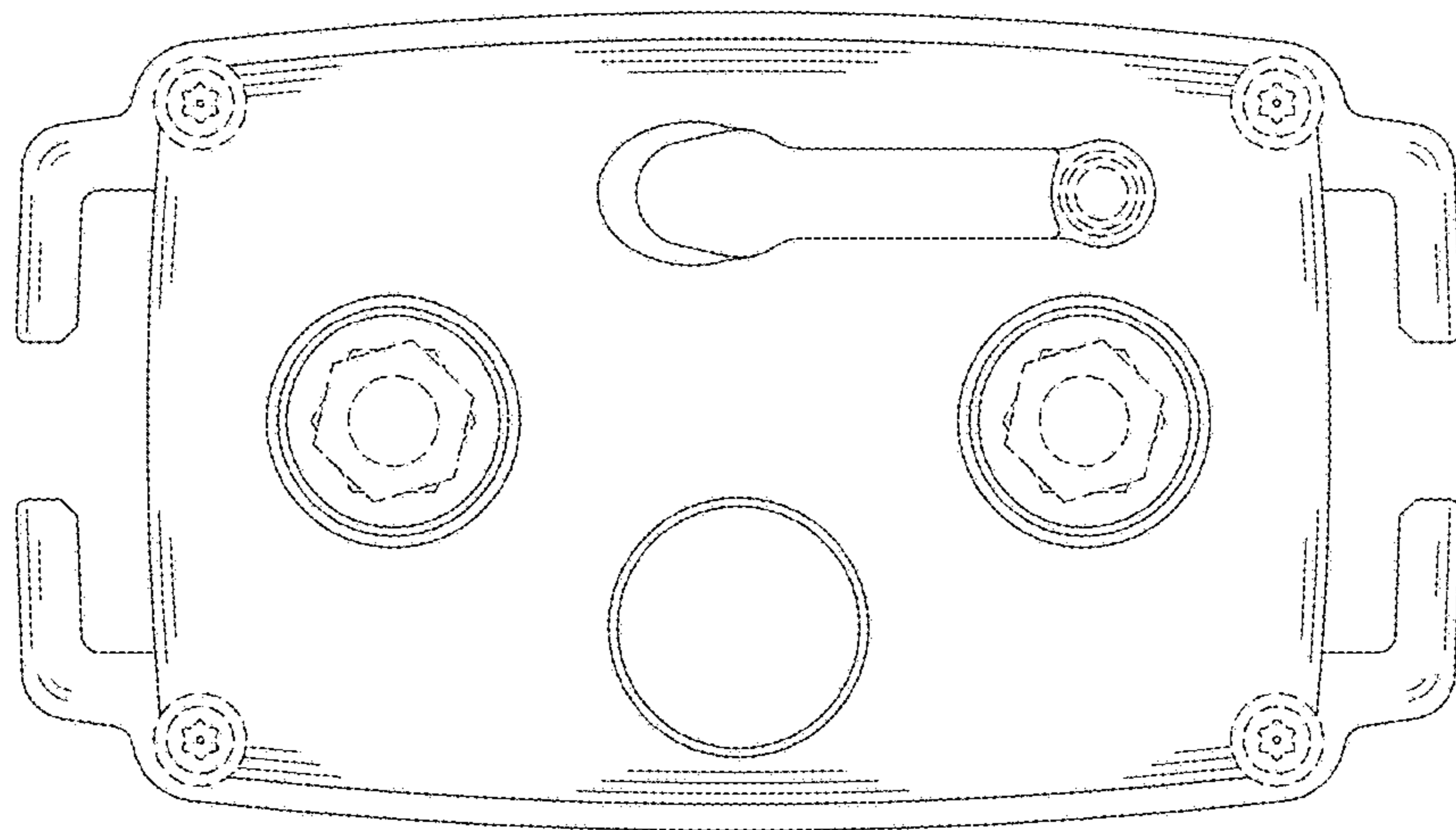


FIG. 18

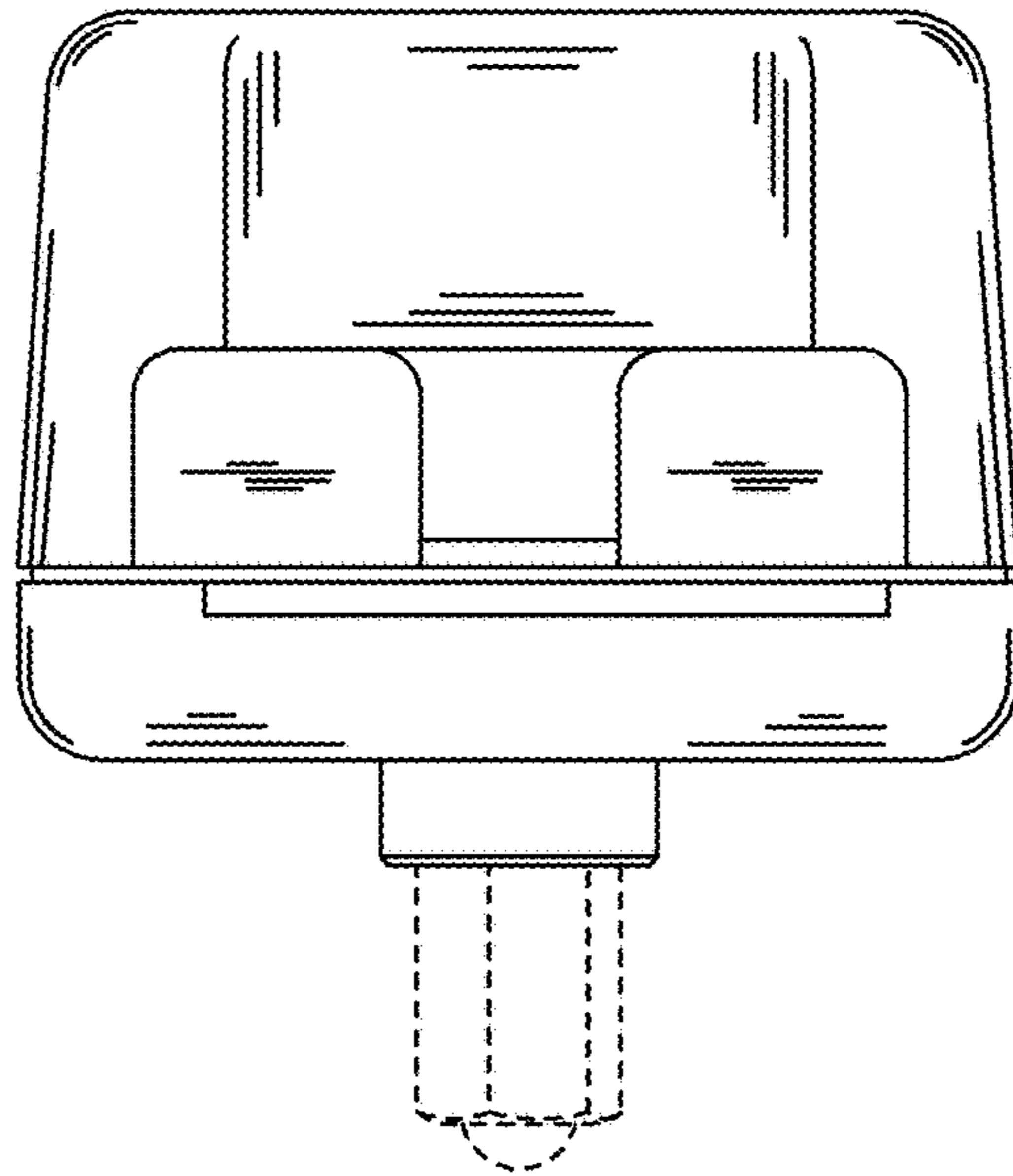


FIG. 19

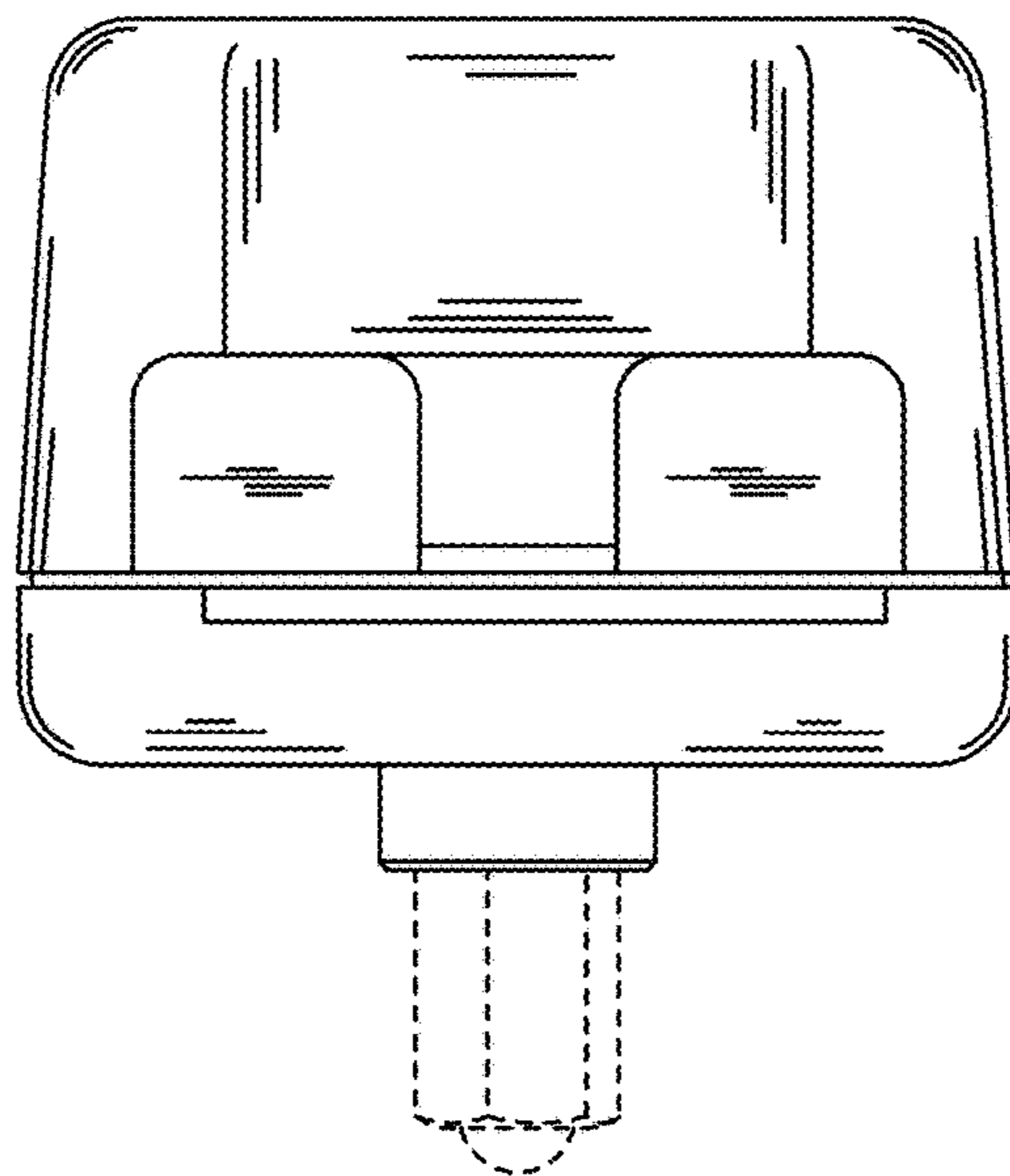


FIG. 20