



US00D858900S

(12) **United States Design Patent**
Muskat

(10) **Patent No.: US D858,900 S**

(45) **Date of Patent: ** Sep. 3, 2019**

(54) **PET FOOD AND ACCESSORY HOLDER**

(71) Applicant: **Kymberly Muskat**, Boca Raton, FL
(US)

(72) Inventor: **Kymberly Muskat**, Boca Raton, FL
(US)

(**) Term: **15 Years**

(21) Appl. No.: **29/615,332**

(22) Filed: **Aug. 28, 2017**

(51) **LOC (12) Cl. 30-03**

(52) **U.S. Cl.**
USPC **D30/121; D30/129; D30/132; D30/133;**
D30/199

(58) **Field of Classification Search**

USPC **D30/121-133; 119/51.01, 61, 51.04, 53,**
119/57.91, 54, 53.5, 52.4, 51.11, 63, 61.2,
119/52.1, 57.5, 57.6, 51.13, 62, 75, 500,
119/501, 72, 72.5, 74, 78-81, 61.56, 51.5,
119/73; 239/7, 687, 379, 397.5;
222/199, 181.1, 181.2, 185.1, 557, 156,
222/485, 486, 548, 555, 207, 205, 424,
222/438, 48, 206, 212, 215, 460, 461,
222/525, 86, 89; 220/200, 227, 247, 262,
220/694, 700, 701, 703,660-662, 521,
220/705, 709, 287, 523, 574, 6,771, 737,
220/23.83, 212, 4.22, 847, 4.04-4.07,
220/4.26, 4.27, 23.87, 23.88, 500;
221/174, 185.1, 289, 295, 296, 559;
454/35; 209/270, 283, 244; 52/194, 192;
49/279, 344, 357; D34/28; D9/531, 549,
D9/516, 523, 530, 538, 541, 544, 559,
D9/719, 716, 424, 426, 432, 428, 431,
D9/433, 739; D7/300, 300.1, 302-305,
D7/312, 316, 317, 507-512, 523, 524,
D7/528, 700, 709, 605, 620, 612, 619.1,
D7/624.2, 624.3, 550.1, 571, 587, 533;
D3/132, 233, 289, 284, 229, 277, 306;
D15/143, 199; D28/4, 7, 9; D19/66;
141/343, 331, 340, 384, 330, 332, 383,

141/311 R, 313, 338, 344, 345; 210/455;
215/228, 231, 235, 319-383, 386, DIG. 7,
215/388, 6, 12.1, 10, 13.1; 4/258, 259,
4/267; 206/459.1, 459.5, 501, 45.23, 6,
206/514, DIG. 10, 217, 543, 544, 546,
206/549, 223, 241, 541, 518, 522, 557,
206/591, 216, 545, 547, 568; 224/148.4,
224/148.7, 650, 148.1, 148.3, 575, 578;
D6/682; 294/32, 146; D26/37-41;
383/41, 906

CPC . A01K 7/00; A01K 7/005; A01K 7/02; A01K
7/022; A01K 7/06; A01K 39/0213; A01K
39/02; A01K 5/0114; B65D 41/26;
(Continued)

(56) **References Cited**

U.S. PATENT DOCUMENTS

3,730,141 A * 5/1973 Manning A01K 5/0114
119/51.5
4,350,274 A * 9/1982 Morgan A45C 13/02
119/600

(Continued)

Primary Examiner — Susan Moon Lee

(74) *Attorney, Agent, or Firm* — Gulf Coast Intellectual
Property Group

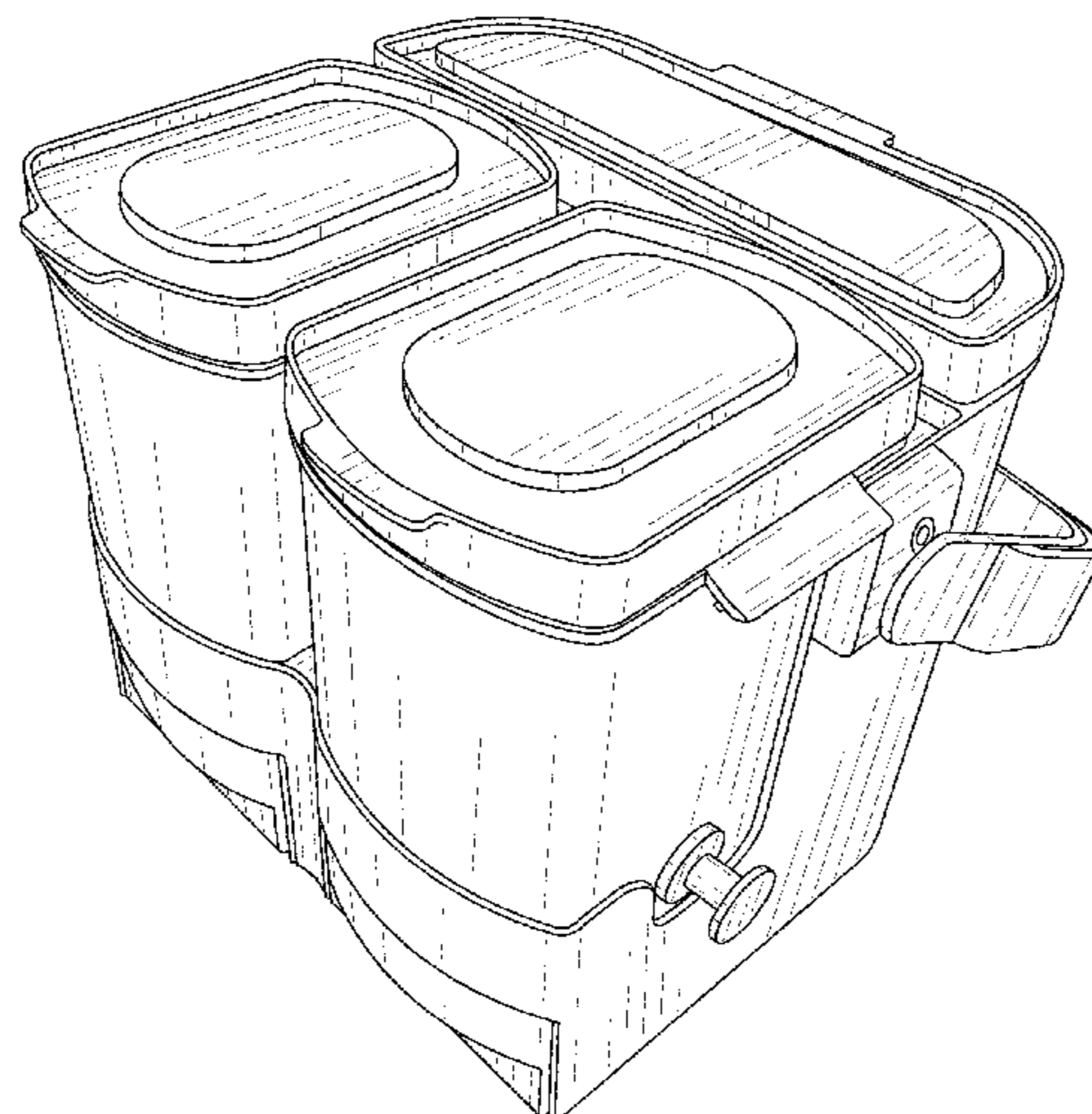
(57) **CLAIM**

I claim the ornamental design for a pet food and accessory
holder, as shown and described.

DESCRIPTION

FIG. 1 is top perspective view of the pet food and accessory
holder; and
FIG. 2 is a front view thereof; and
FIG. 3 is a rear view thereof; and
FIG. 4 is a left side view thereof; and
FIG. 5 is a right side view thereof; and,
FIG. 6 is a top view thereof.

1 Claim, 6 Drawing Sheets



(58) **Field of Classification Search**
 CPC B65D 41/265; B65D 41/28; B65D 41/32;
 B65D 41/325; B65D 41/34; B65D 41/56;
 B65D 51/20; B65D 51/249; B65D 51/24;
 B65D 47/243; B65D 2205/04; B65D
 21/0238; B65D 81/3205; B65D 81/3216;
 B65D 71/50; B65D 77/2024; B65D
 43/0212; B65D 2517/0049; B65D
 2543/00046; B65D 2543/00092; B65D
 2543/00537; B65D 2543/00731; B65D
 2543/00796; B65D 2577/025; A61J 9/00;
 A61J 9/006; A61J 9/001; A61J 9/003;
 A61J 11/04; A61J 19/00; B65B 39/00;
 B65B 39/001; B65B 39/005; B65B
 39/007; B67C 11/02; G01F 11/286; B67B
 7/28; A45F 3/02; A45F 3/16; A45F 3/46;
 A45F 5/102; A45F 2005/1066; A45F
 2005/1073; A45F 2200/0583; A47G
 23/0241; A47G 2023/0291; A45C 5/045;
 A45C 5/06; A45C 5/065; A45C 11/00;
 A45C 11/20; A45C 11/24; A45C 11/38;
 A45C 2009/007; A45C 2011/007; A45C
 2200/20; A45C 2005/10; A45C 13/02;
 A45C 13/30; F25D 3/08; F25D 3/107;
 F25D 2331/8014; F25D 2331/806; Y10S
 383/906

See application file for complete search history.

(56) **References Cited**

U.S. PATENT DOCUMENTS

D283,966 S * 5/1986 Carlson D7/709
 D305,714 S * 1/1990 Carlson D7/605
 4,947,796 A * 8/1990 Robinette A01K 5/0114
 119/51.5
 D324,932 S * 3/1992 Zingaro D34/1
 5,265,719 A * 11/1993 Wand A45C 3/00
 206/223
 5,447,227 A * 9/1995 Kosberg A01K 1/035
 206/223
 D371,056 S * 6/1996 Sullivan D7/605
 5,678,509 A * 10/1997 Dillon A01K 1/0107
 119/165
 5,755,180 A * 5/1998 Smith A01K 13/00
 119/165
 5,823,136 A * 10/1998 Zarski A01K 5/0114
 119/61.56
 5,871,280 A * 2/1999 Watters A01K 5/0114
 206/216
 5,884,580 A * 3/1999 Faircloth, Jr. A01K 1/035
 119/51.5

6,443,096 B1 * 9/2002 Prydie A01K 5/0114
 119/61.56
 6,595,016 B1 * 7/2003 Demirkiran A01K 5/0114
 62/236
 6,718,911 B2 * 4/2004 Greenberg A01K 7/00
 119/51.5
 D497,783 S * 11/2004 Krieger D7/605
 D498,884 S * 11/2004 Metzger D3/246
 6,843,205 B1 * 1/2005 Segreto A01K 5/0114
 119/515
 D504,566 S * 5/2005 Guy D3/277
 D505,843 S * 6/2005 Krieger D7/605
 D580,110 S * 11/2008 Tsengas D30/133
 D601,381 S * 10/2009 Stamper D7/505
 D603,664 S * 11/2009 Roefs D7/605
 D622,451 S * 8/2010 Yang D30/121
 7,938,083 B1 * 5/2011 Huether A01K 5/0114
 119/61.5
 D753,349 S * 4/2016 Sung D30/122
 D766,571 S * 9/2016 Boroski D3/232
 9,578,938 B1 * 2/2017 Verneuille A45C 5/06
 9,894,878 B2 * 2/2018 Abbey A01K 5/01
 D813,468 S * 3/2018 Cronkhite D30/130
 9,936,674 B1 * 4/2018 White Bailey A01K 5/0114
 9,992,970 B2 * 6/2018 Abbey A01K 5/00
 2002/0073926 A1 * 6/2002 Ness A01K 5/0114
 119/72
 2002/0083900 A1 * 7/2002 Williams A01K 5/0114
 119/51.01
 2003/0019434 A1 * 1/2003 Spires A01K 1/0353
 119/28.5
 2006/0032451 A1 * 2/2006 Gonet A01K 5/0114
 119/61.5
 2006/0278169 A1 * 12/2006 Logan A01K 5/0114
 119/61.56
 2006/0288953 A1 * 12/2006 Bottorff A01K 1/035
 119/497
 2007/0095872 A1 * 5/2007 White B62J 9/00
 224/420
 2007/0119378 A1 * 5/2007 Fick A01K 5/0114
 119/52.1
 2007/0137586 A1 * 6/2007 Park A01K 5/0114
 119/57.1
 2008/0006212 A1 * 1/2008 Ebert A01K 5/01
 119/72
 2008/0035066 A1 * 2/2008 Enriquez A01K 5/0114
 119/61.5
 2010/0200455 A1 * 8/2010 Van Bokhoven A01K 5/0114
 206/541
 2010/0219196 A1 * 9/2010 Alvino A01K 7/00
 220/810
 2014/0132044 A1 * 5/2014 Louie B60N 3/103
 297/188.2
 2018/0014504 A1 * 1/2018 Grinnell A01K 5/0135
 2018/0028405 A1 * 2/2018 Sheu A61J 7/0084
 2019/0053463 A1 * 2/2019 Hill A01K 1/035
 2019/0075898 A1 * 3/2019 Friedgood A45C 7/0095

* cited by examiner

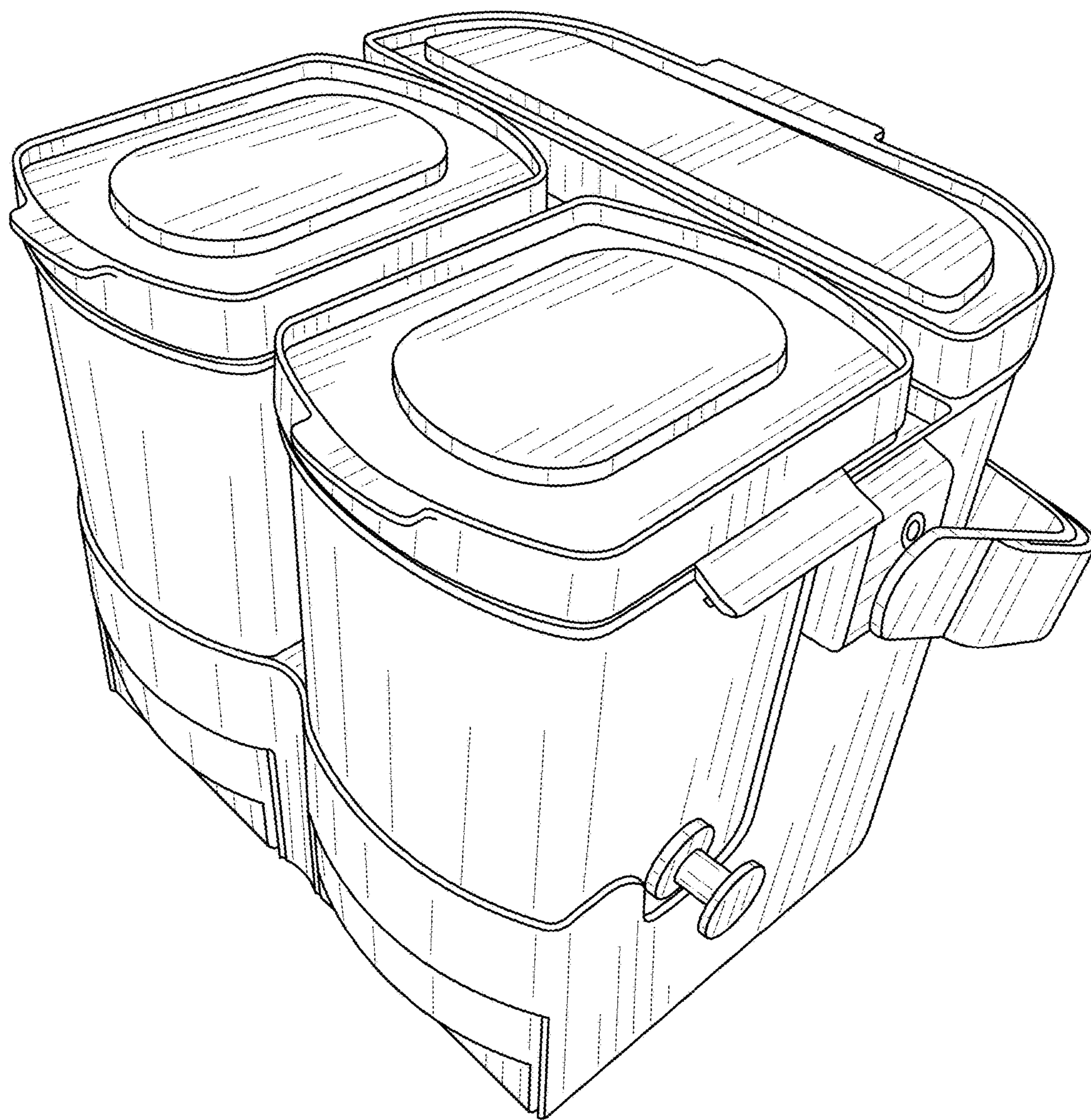


FIG. 1

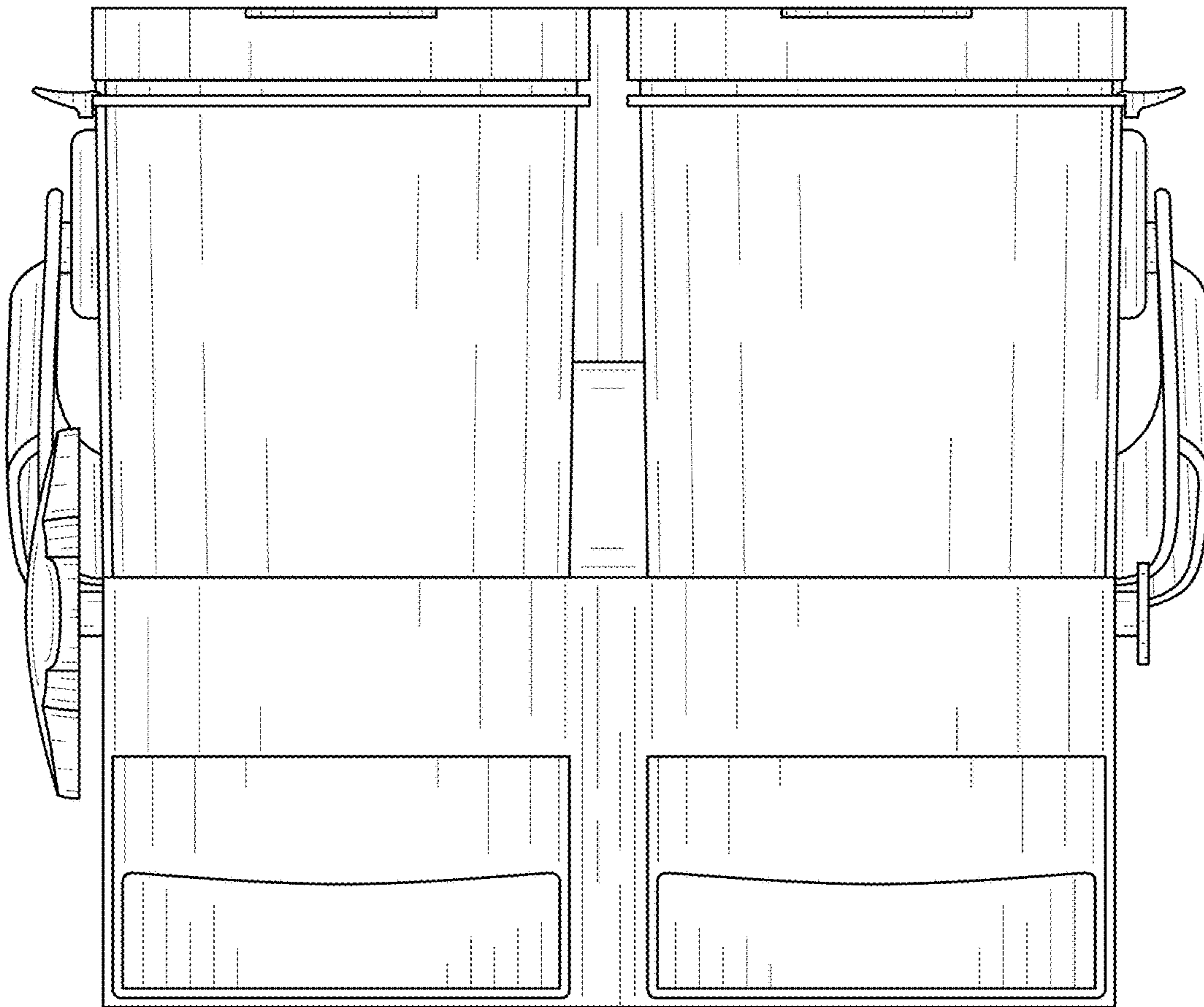


FIG. 2

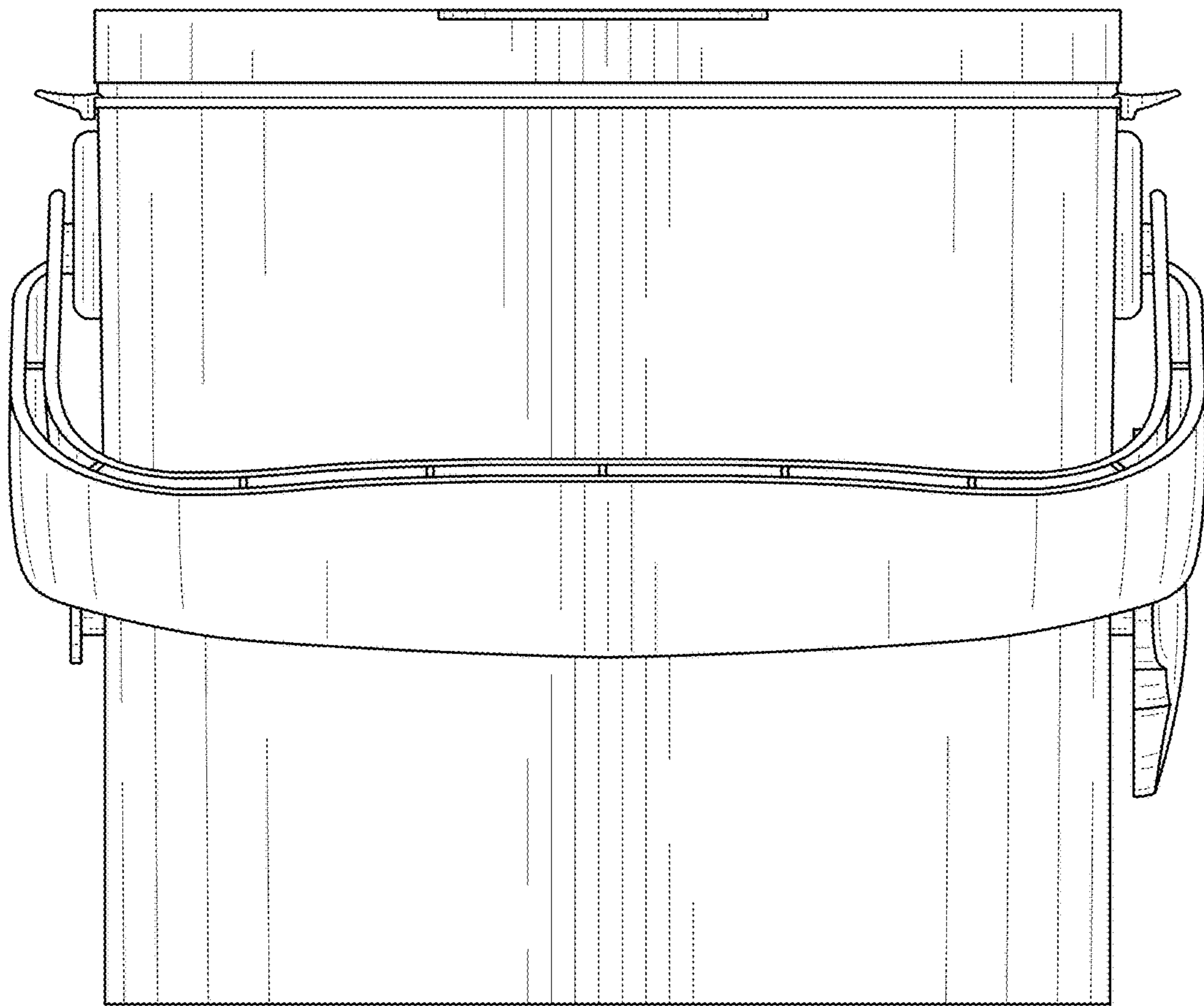


FIG. 3

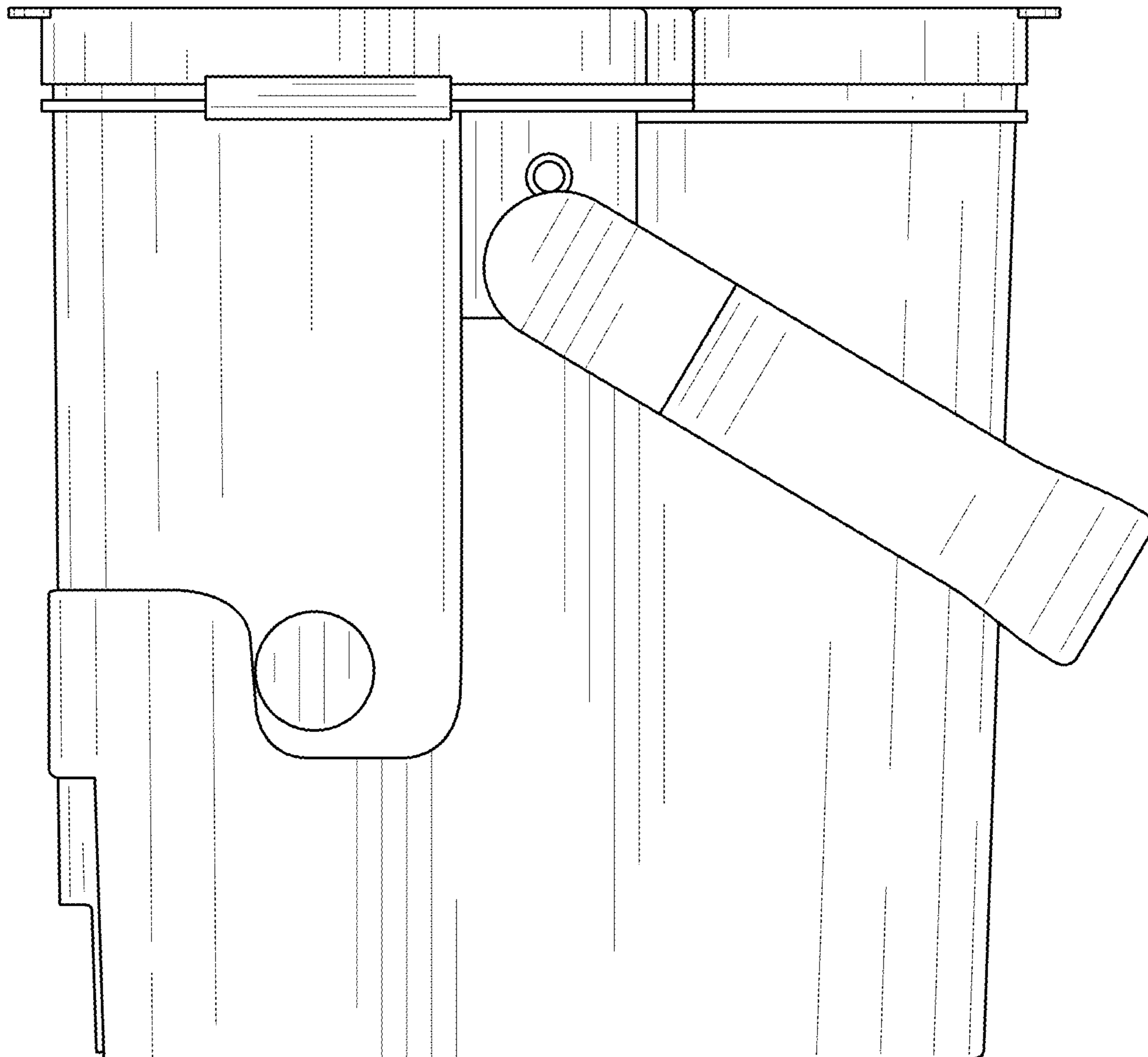


FIG. 4

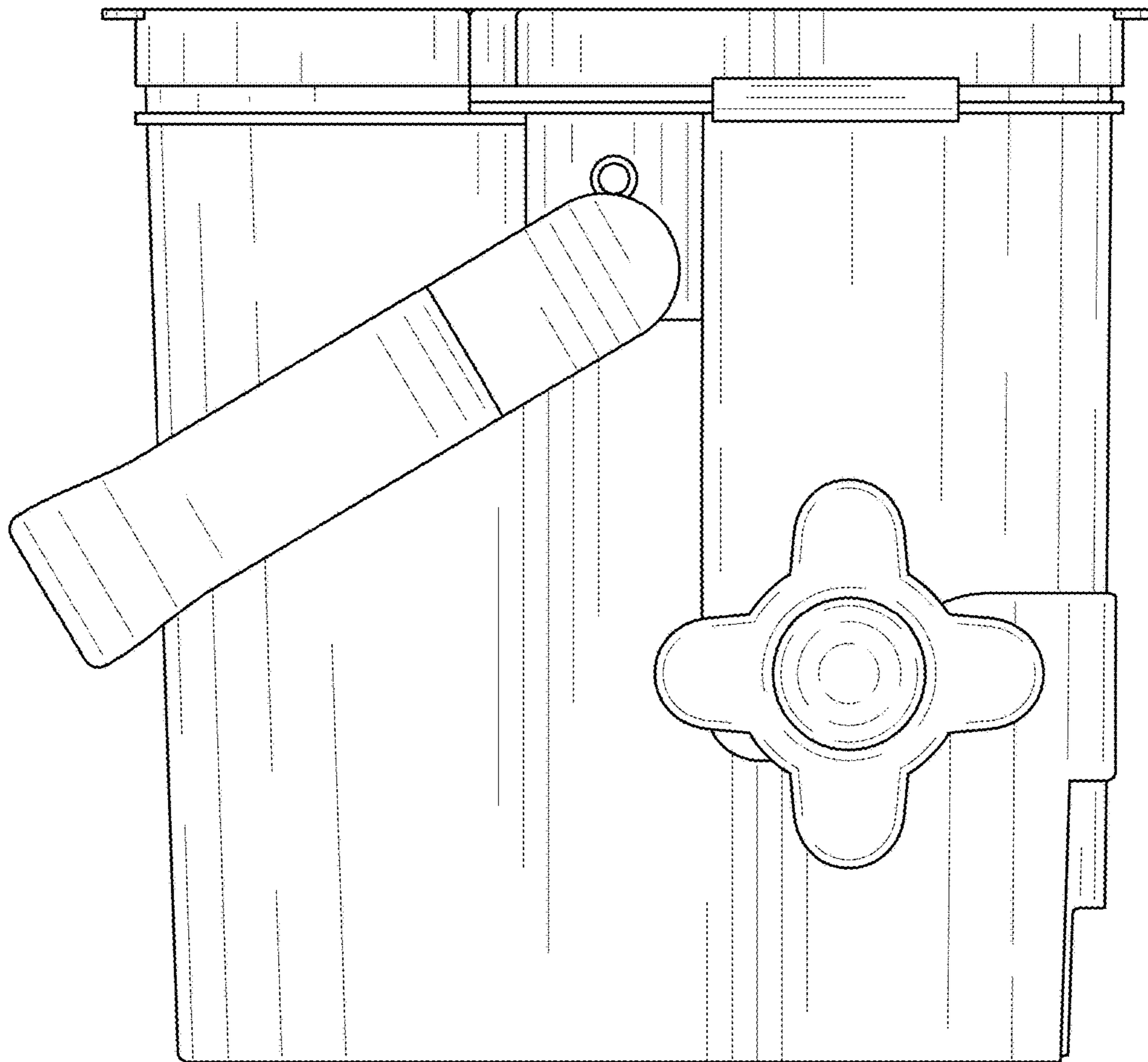


FIG. 5

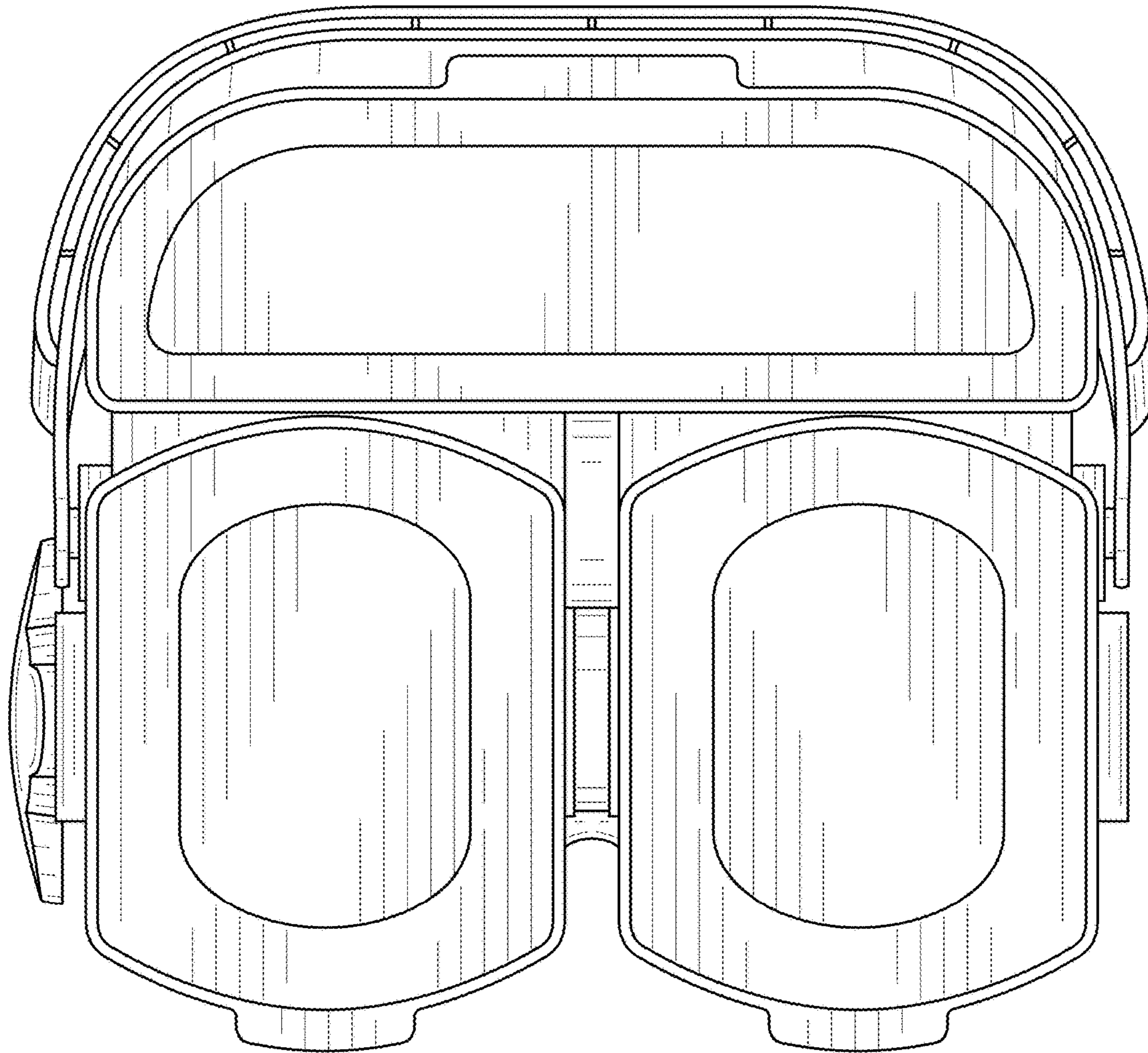


FIG. 6