



US00D858898S

(12) **United States Design Patent** (10) **Patent No.:** **US D858,898 S**
Chomos (45) **Date of Patent:** **** Sep. 3, 2019**

(54) **EXTERIOR MOUNTED PET ENCLOSURE WINDOW BOX UNIT**

(71) Applicant: **Cynthia L. Chomos**, Seattle, WA (US)
 (72) Inventor: **Cynthia L. Chomos**, Seattle, WA (US)
 (**) Term: **15 Years**

(21) Appl. No.: **29/587,469**

(22) Filed: **Dec. 13, 2016**

(51) **LOC (12) Cl.** **30-02**

(52) **U.S. Cl.**
 USPC **D30/114; D30/108**

(58) **Field of Classification Search**
 USPC **D30/108, 111-112, 114, 119**
 (Continued)

(56) **References Cited**

U.S. PATENT DOCUMENTS

3,690,299 A 9/1972 Johnson
 4,021,975 A 5/1977 Calkins
 (Continued)

OTHER PUBLICATIONS

Armarkat, "Armarkat Cat Bed C11CZS/MH," URL=<https://web.archive.org/web/20160913134602/http://www.armarkat.com/armarkat-cat-bed-c11-czs-mh/>, download date Mar. 28, 2017, 3 pages.
 (Continued)

Primary Examiner — Catherine R Oliver-Garcia
Assistant Examiner — J. Thorn, Sr.
 (74) *Attorney, Agent, or Firm* — Seed Intellectual Property Law Group LLP

(57) **CLAIM**

The ornamental design for an exterior mounted pet enclosure window unit, as shown and described.

DESCRIPTION

FIG. 1 is an isometric view of an exterior mounted pet enclosure window box unit showing our new design;

FIG. 2 is a front elevation view thereof;
 FIG. 3 is a left side elevation view thereof, showing the door panel;
 FIG. 4 is a right side elevation view thereof;
 FIG. 5 is a top plan view thereof;
 FIG. 6 is a bottom plan view thereof;
 FIG. 7 is a cross-sectional view thereof, taken along line 7-7;
 FIG. 8 is an isometric view of an exterior mounted pet enclosure window box unit, shown in a second embodiment with a wire mesh roof;
 FIG. 9 is a cross-sectional view thereof, taken along line 9-9;
 FIG. 10 is an isometric view of an exterior mounted pet enclosure window box unit, shown in a third embodiment with an extension portion extending from the back end;
 FIG. 11 is a front elevation view thereof;
 FIG. 12 is a left side elevation view thereof, showing the door panel;
 FIG. 13 is a right side elevation view thereof;
 FIG. 14 is a top plan view thereof;
 FIG. 15 is a bottom plan view thereof;
 FIG. 16 is a cross-sectional view thereof, taken along line 16-16;
 FIG. 17 is an isometric view of an exterior mounted pet enclosure window box unit, shown in a fourth embodiment with a wire mesh roof;
 FIG. 18 is a cross-sectional view thereof, taken along line 18-18;
 FIG. 19 is an isometric view of an exterior mounted pet enclosure window box unit, shown in a fifth embodiment;
 FIG. 20 is a front elevation view thereof;
 FIG. 21 is a left side elevation view showing a door panel;
 FIG. 22 is a right side elevation view thereof;
 FIG. 23 is a top plan view thereof;
 FIG. 24 is a bottom plan view thereof;
 FIG. 25 is a cross-sectional view thereof, taken along line 25-25;
 FIG. 26 is an isometric view of an exterior mounted pet enclosure window box unit, shown in a sixth embodiment with a wire roof;
 FIG. 27 is a cross-sectional view thereof, taken along line 27-27;
 FIG. 28 is an isometric view of an exterior mounted pet enclosure window box unit, shown in a seventh embodiment with an extension portion extending from the back end;

(Continued)

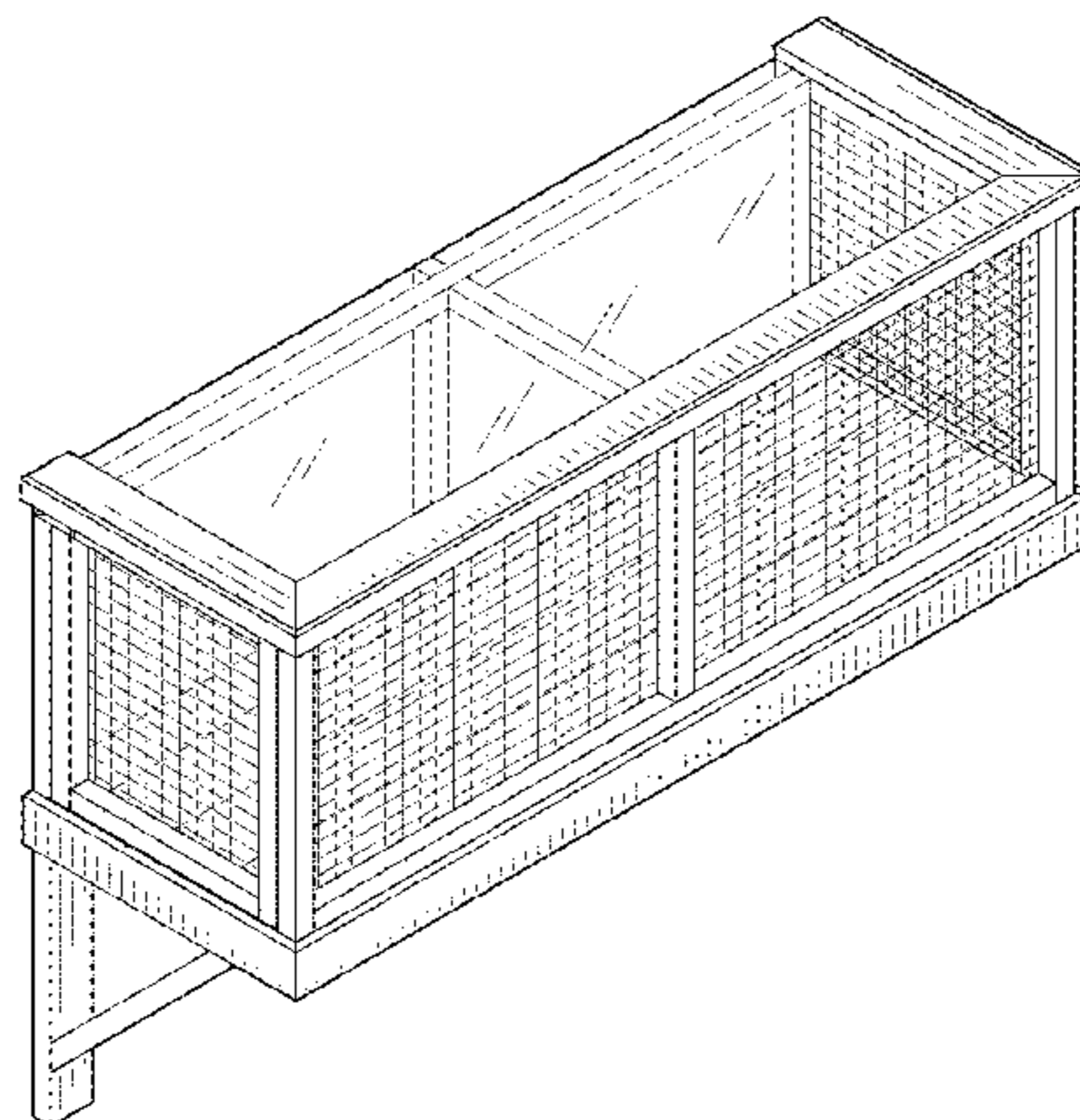


FIG. 29 is a front elevation view thereof;
 FIG. 30 is a left side elevation view thereof, showing the door panel;
 FIG. 31 is a right side elevation view thereof;
 FIG. 32 is a top plan view thereof;
 FIG. 33 is a bottom plan view thereof;
 FIG. 34 is a cross-sectional view thereof, taken along line 34-34;
 FIG. 35 is an isometric view of an exterior mounted pet enclosure window box unit, shown in an eight embodiment with a wire roof; and,
 FIG. 36 is a cross-sectional view thereof, taken along line 36-36.

Stippling and tangency lines in the drawings represent the three-dimensional contours of the design, and are not intended to indicate surface decoration. The broken lines in the drawings are for illustrative purposes only and form no part of the claimed design.

1 Claim, 32 Drawing Sheets

(58) **Field of Classification Search**

CPC ... A01K 1/00; A01K 1/01; A01K 1/02; A01K 1/03; A01K 31/00; A01K 31/06; A01K 31/07; A01K 31/08; A01K 31/14; A01K 31/18; A01K 5/00; A01K 29/00
 See application file for complete search history.

(56) **References Cited**

U.S. PATENT DOCUMENTS

4,022,263	A	5/1977	Beckett et al.	
4,291,645	A	9/1981	Cruchelow et al.	
4,445,459	A *	5/1984	Julie	A01K 1/0236 119/28.5
D283,182	S *	4/1986	Marshall	D30/108
4,788,934	A	12/1988	Fetter	
4,989,546	A	2/1991	Cannaday	
5,261,350	A	11/1993	Vavrek	
5,448,965	A	9/1995	McClure	
D427,730	S *	7/2000	Powers	D30/114
6,763,784	B1 *	7/2004	Liu	A01K 31/06 119/452

D566,343	S *	4/2008	Osada	D30/108
D702,403	S *	4/2014	Snow	D30/108
D705,498	S *	5/2014	Snow	D30/114
D711,597	S *	8/2014	Bickel, Jr.	D30/114
D715,006	S *	10/2014	Pomerantz	D30/112
D723,225	S *	2/2015	Lee	D30/108
D798,507	S *	9/2017	Haakman	D30/119
D825,113	S *	8/2018	Langenwalter	D30/114
2006/0042558	A1 *	3/2006	Stephens	A01K 1/033 119/484
2017/0318775	A1 *	11/2017	Chomos	A01K 1/033

OTHER PUBLICATIONS

“Corbel,” URL=<https://en.wikipedia.org/w/index.php?title=Corbel&oldid=744220224>, download date Mar. 27, 2017, 4 pages.
 Dictionary.com, “Hasp,” URL=<https://web.archive.org/web/20160912053041/http://www.dictionary.com/browse/hasp/>, download date Mar. 27, 2017, 3 pages.
 “Door,” URL=<https://en.wikipedia.org/w/index.php?title=Door&oldid=751377473>, download date Mar. 27, 2017, 20 pages.
 “Hinge,” URL=https://en.wikipedia.org/w/index.php?title=Hinge&oldid=751994222#0ther_types, download date Mar. 27, 2017, 5 pages.
 “Mesh,” URL=<https://en.wikipedia.org/w/index.php?title=Mesh&oldid=749440926>, download date Mar. 27, 2017, 3 pages.
 Milgard, “Window Operating Styles,” URL=<https://web.archive.org/web/20160901003929/http://www.milgard.com/windows/style>, download date Mar. 28, 2017, 2 pages.
 Palram, “SUNLITE® Multiwall Polycarbonate Sheet,” URL=<http://www.revbase.com/tt/sl.ashx?z=169034e2&dataid=139904&ft=1>, download date Mar. 27, 2017, 2 pages.
 Petmate, “Aspen Pet Self-Warming Oval Lounger,” URL=<https://web.archive.org/web/20151210212848/http://www.petmate.com/product-Aspen-Pet-Self-Warming-Oval-Lounger/80135>, download date Mar. 28, 2017, 2 pages.
 Petmate, “Petmate Balance Ball,” URL=http://web.archive.org/web/20161111005842/http://www.petmate.com/pet/cat/all-products-toys-cat-toys-interactive/_/N-1no0q3tZgeqb17, download date Mar. 28, 2017, 6 pages.
 “Polycarbonate,” URL=<https://en.wikipedia.org/w/index.php?title=Polycarbonate&oldid=753343842>, download date Mar. 27, 2017, 6 pages.
 “Screw,” URL=https://en.wikipedia.org/w/index.php?title=Screw&oldid=753191493#Lag_screw, download date Mar. 27, 2017, 17 pages.

* cited by examiner

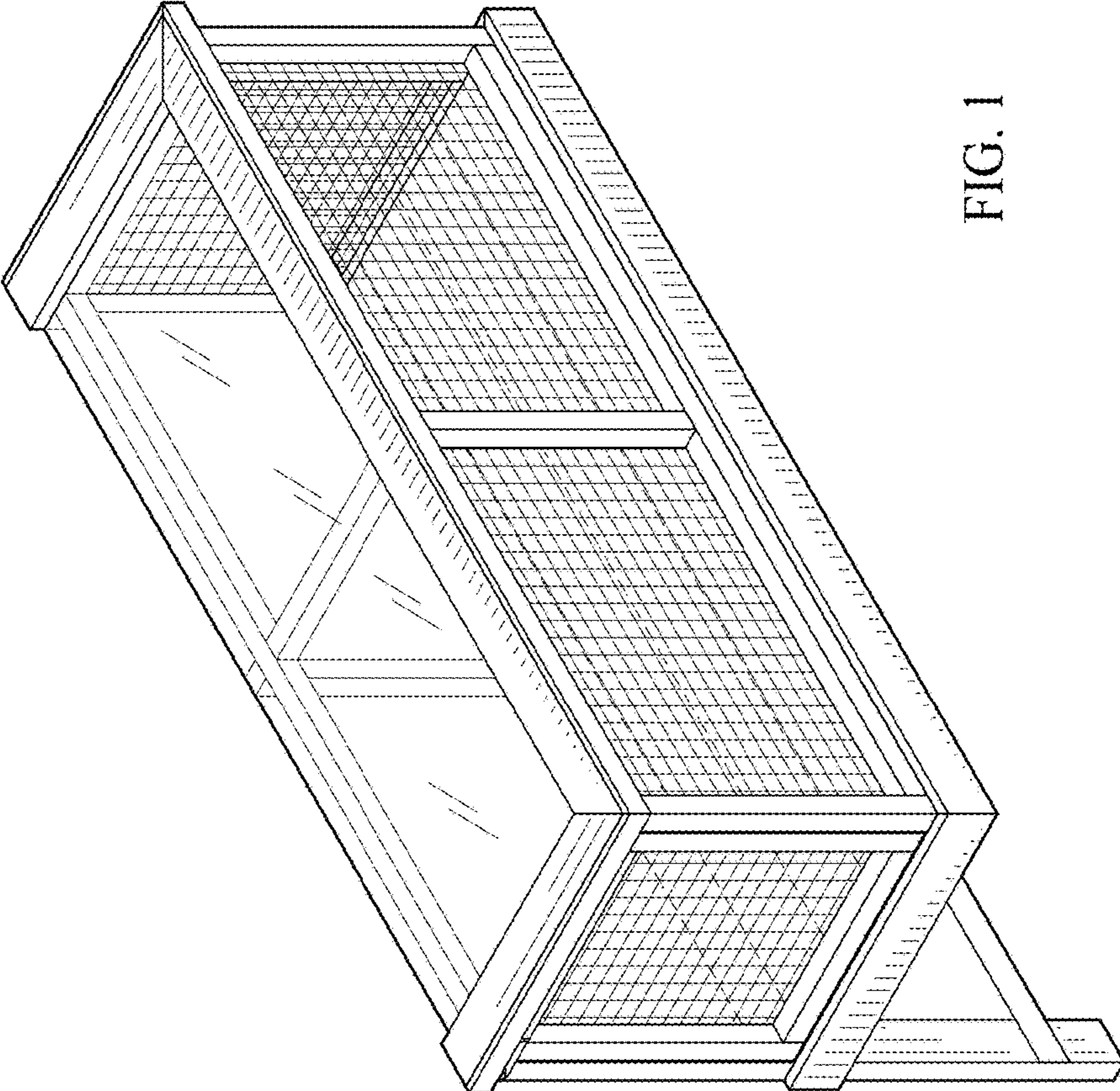


FIG. 1

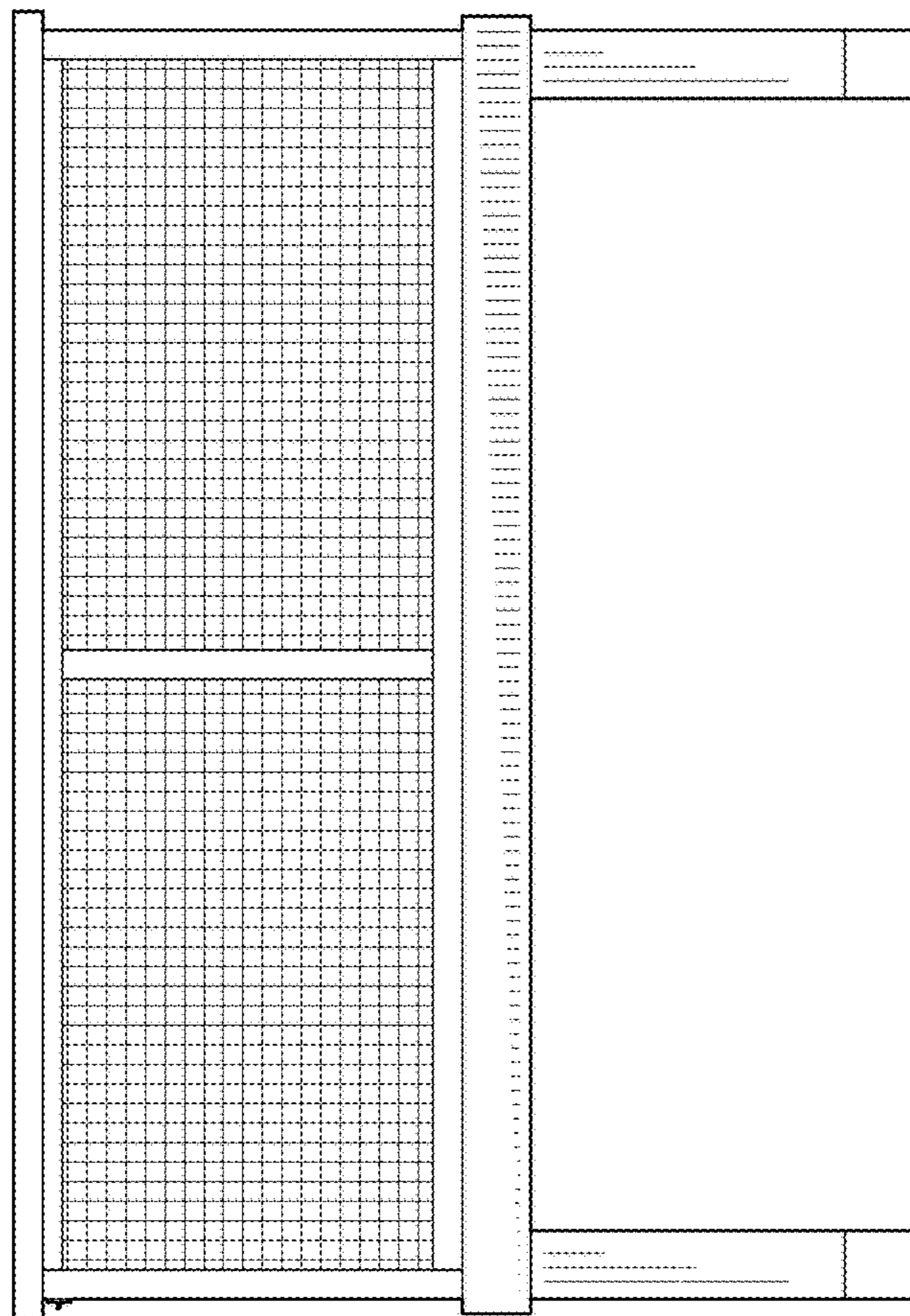


FIG. 2

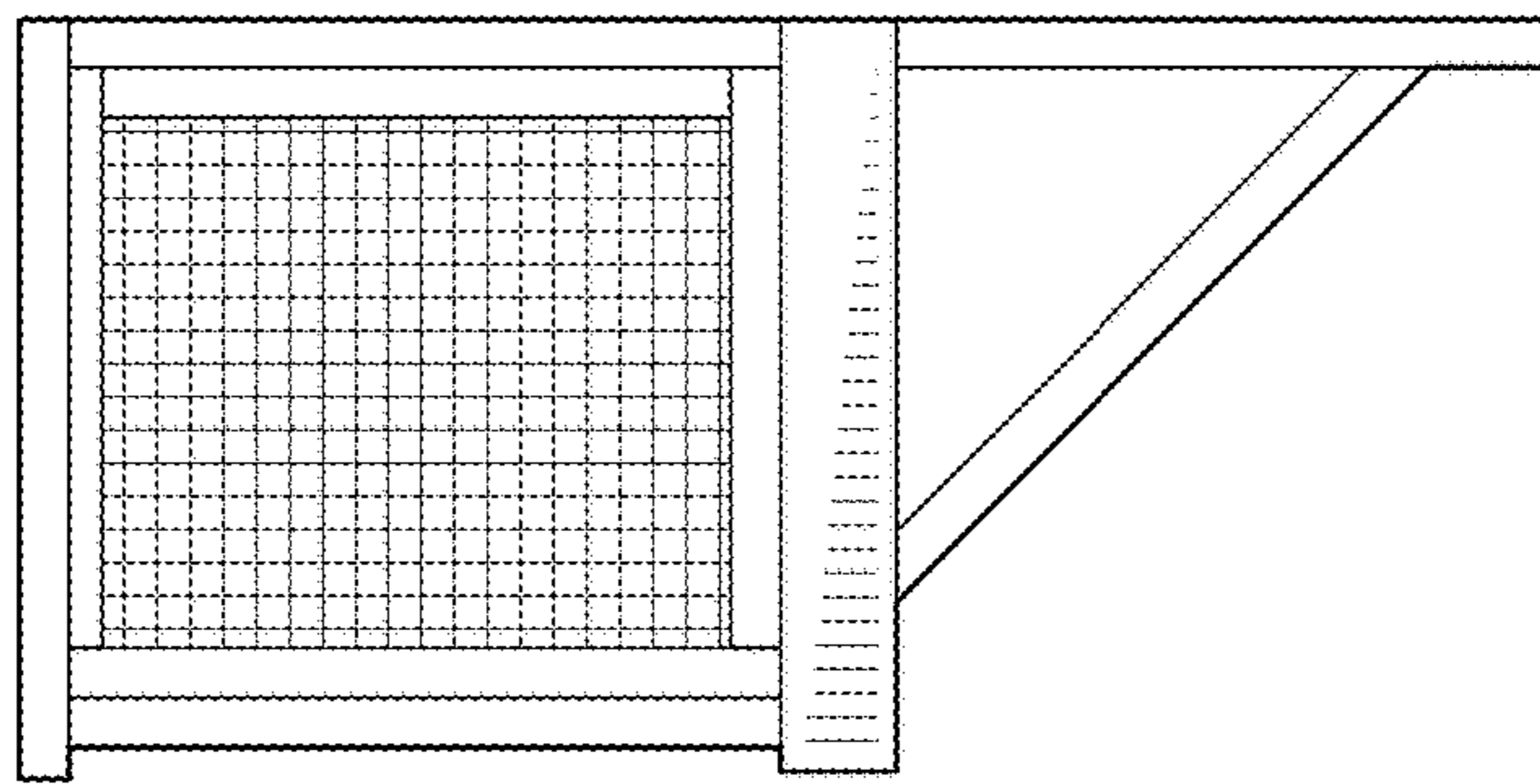


FIG. 4

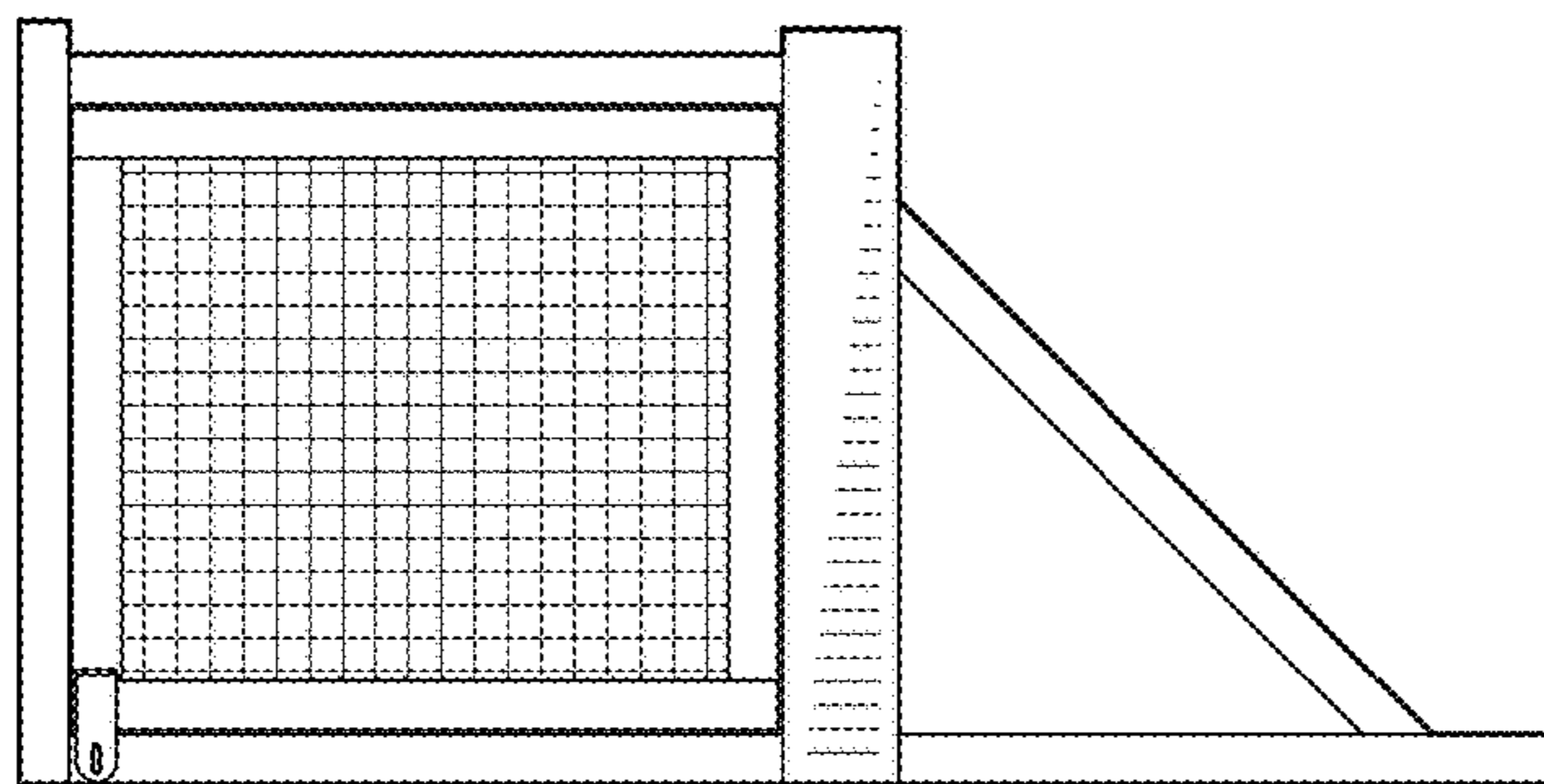


FIG. 3

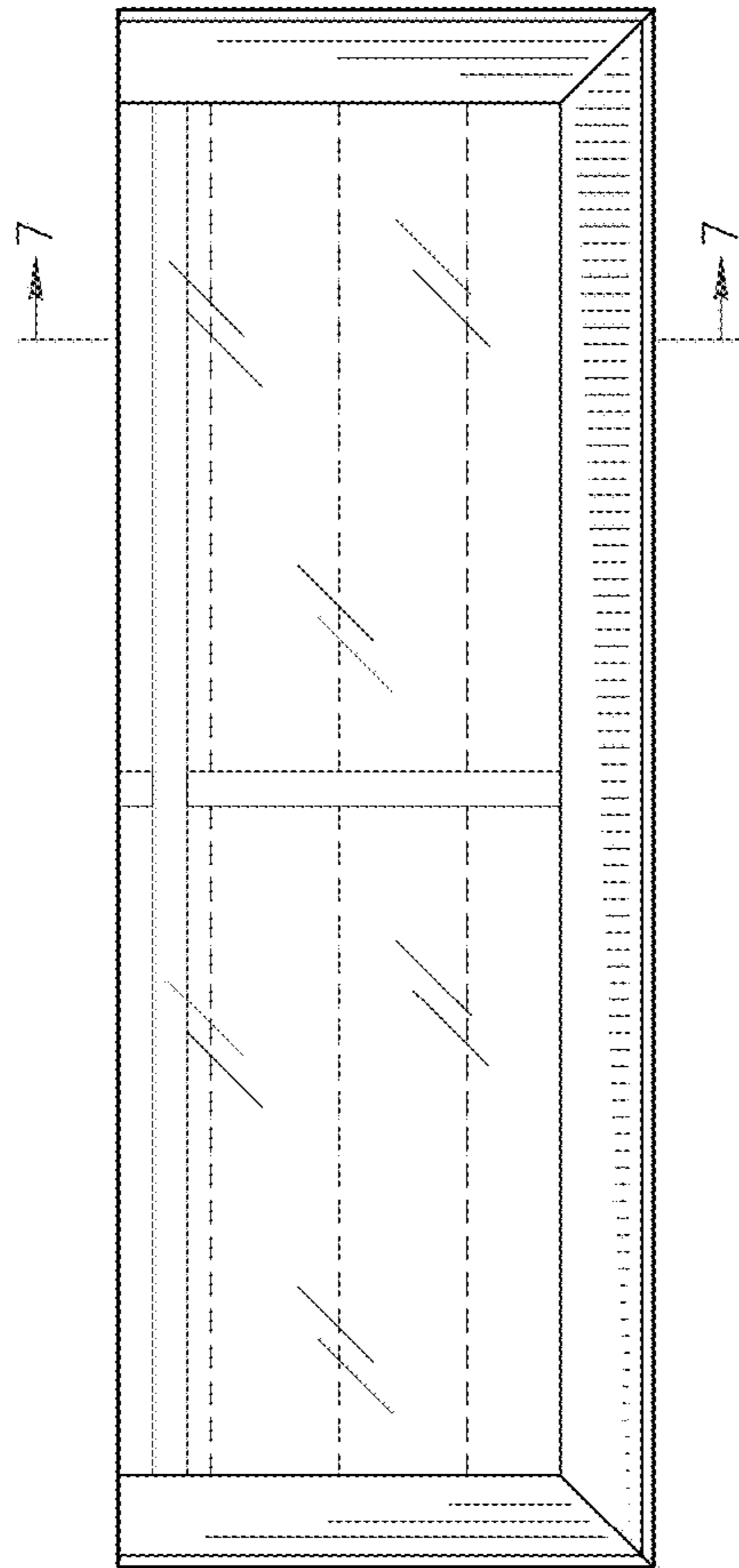


FIG. 5

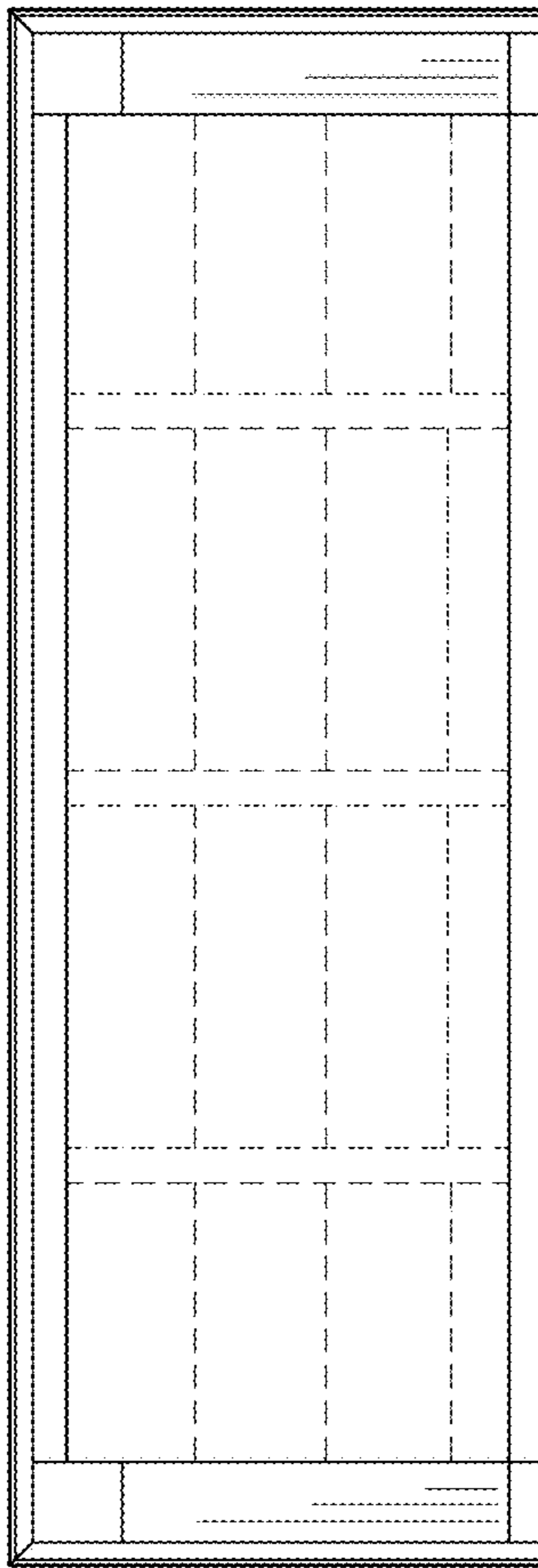


FIG. 6

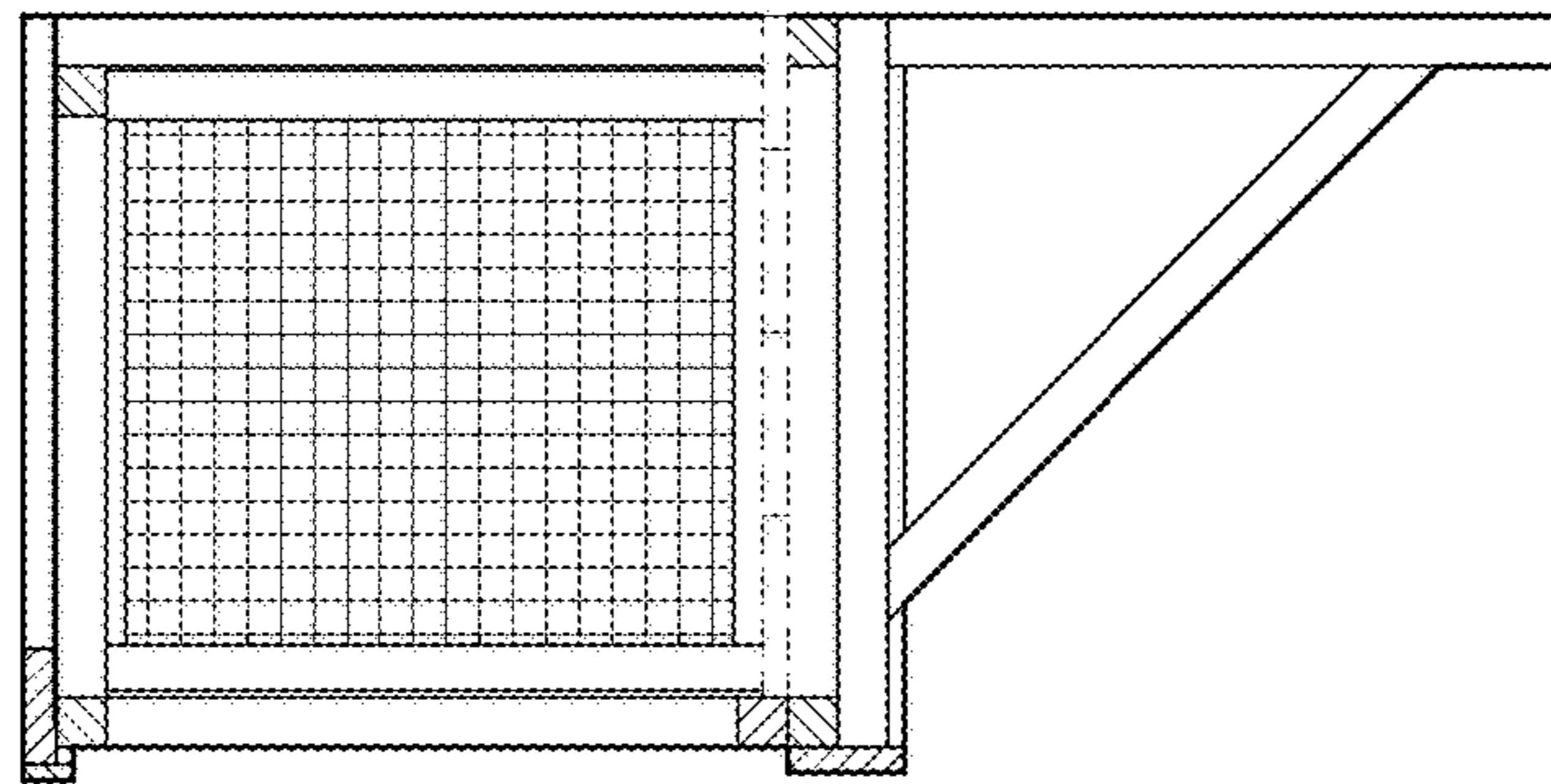


FIG. 7

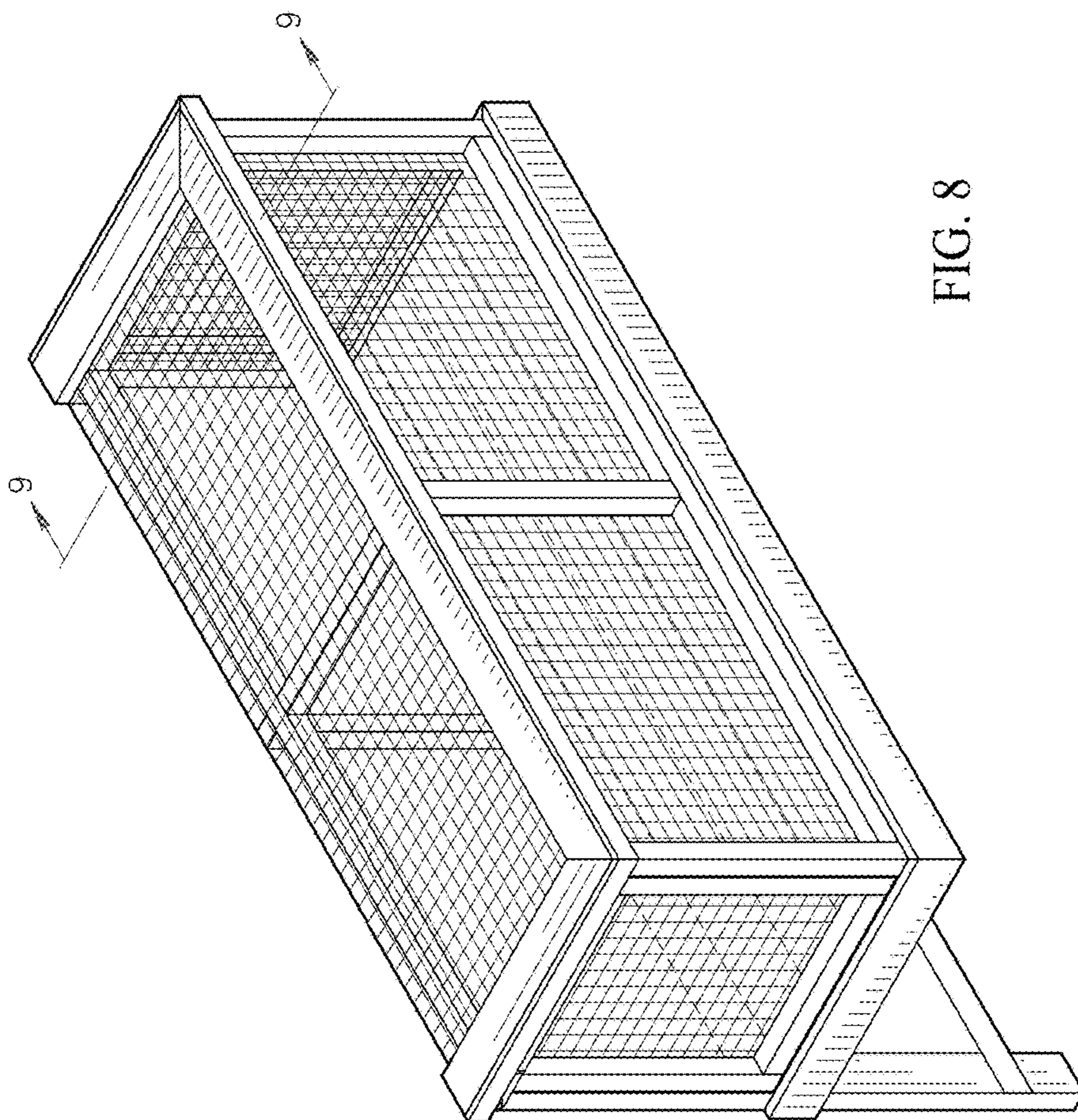


FIG. 8

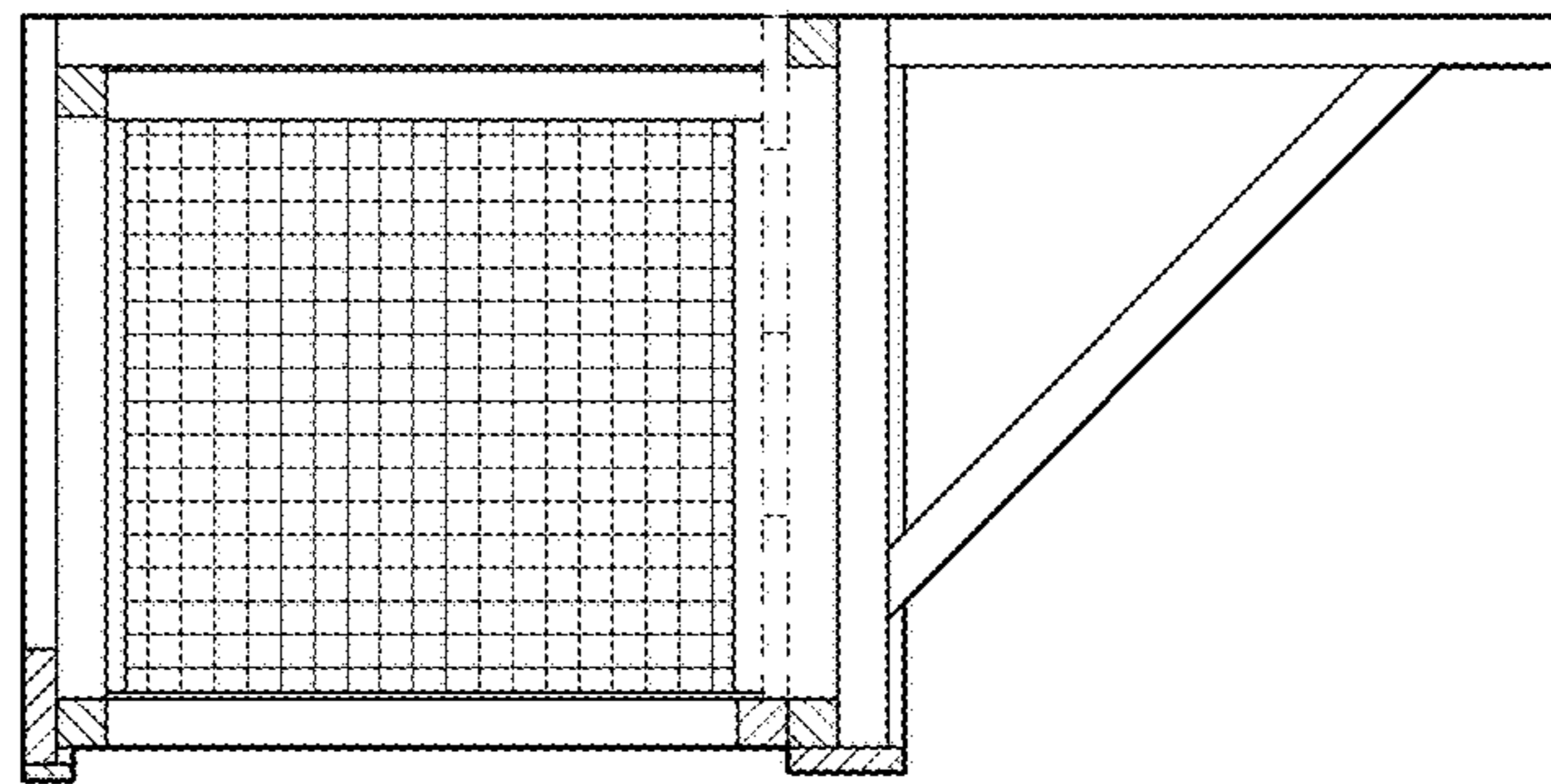


FIG. 9

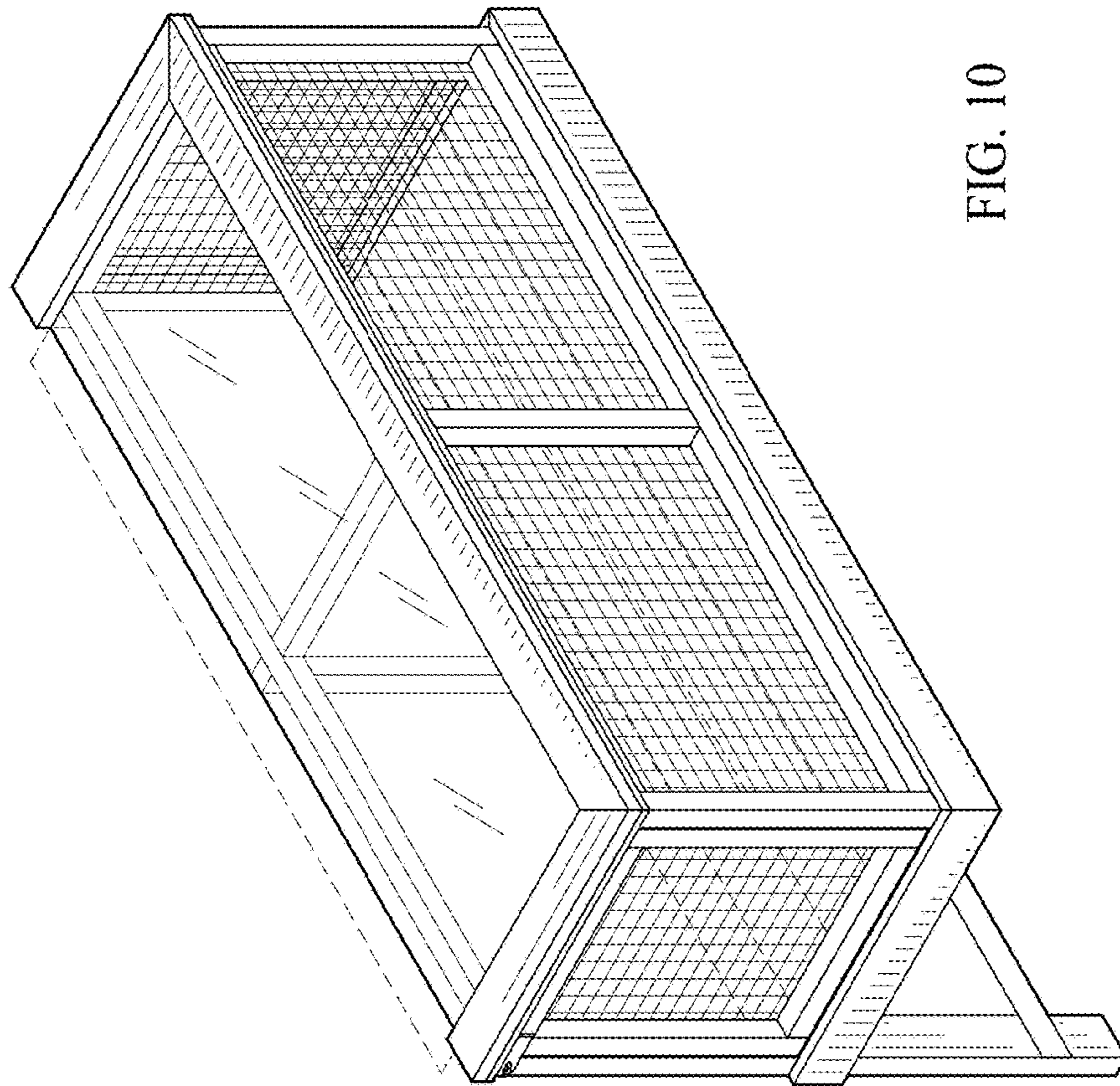


FIG. 10

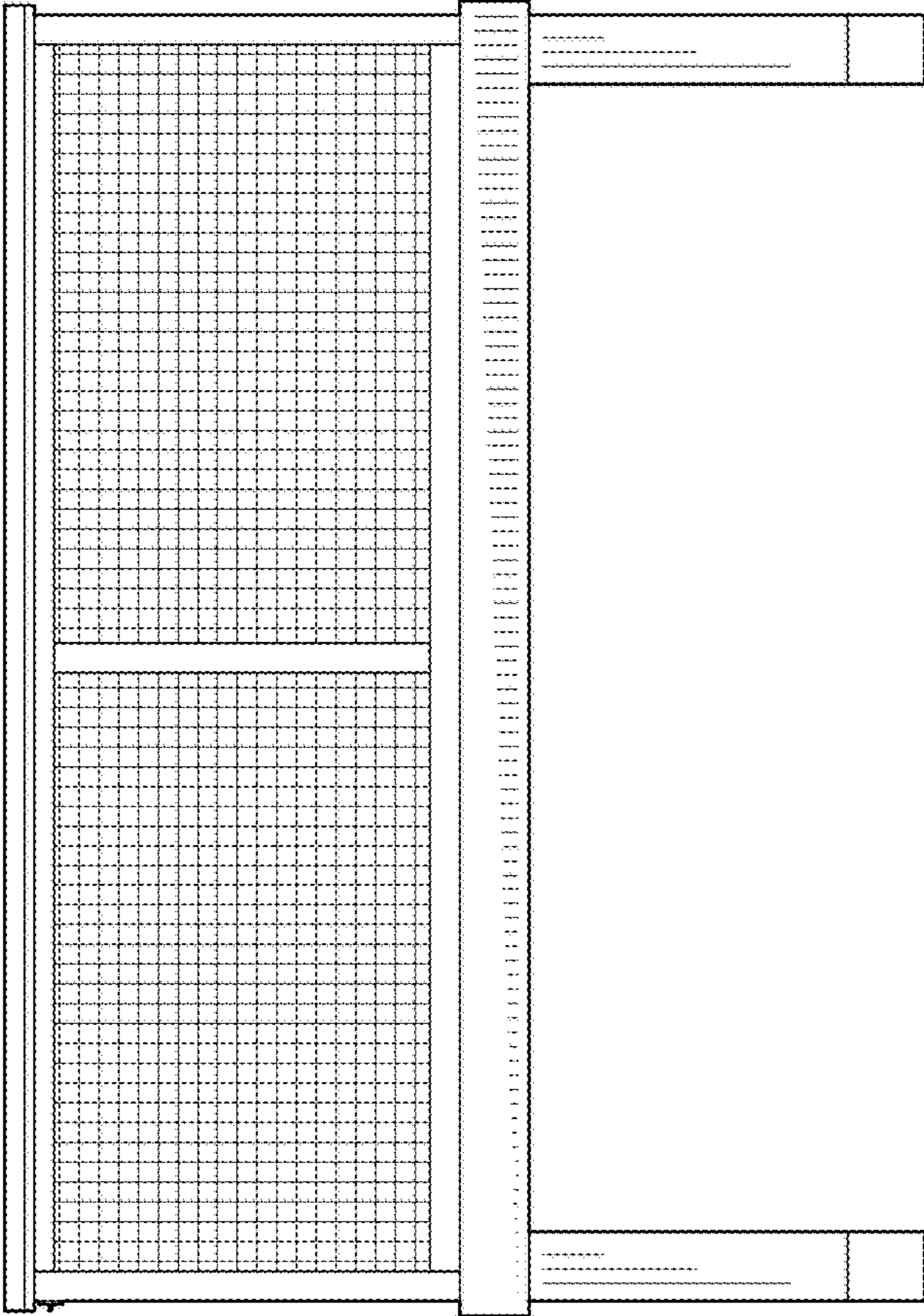


FIG. 11

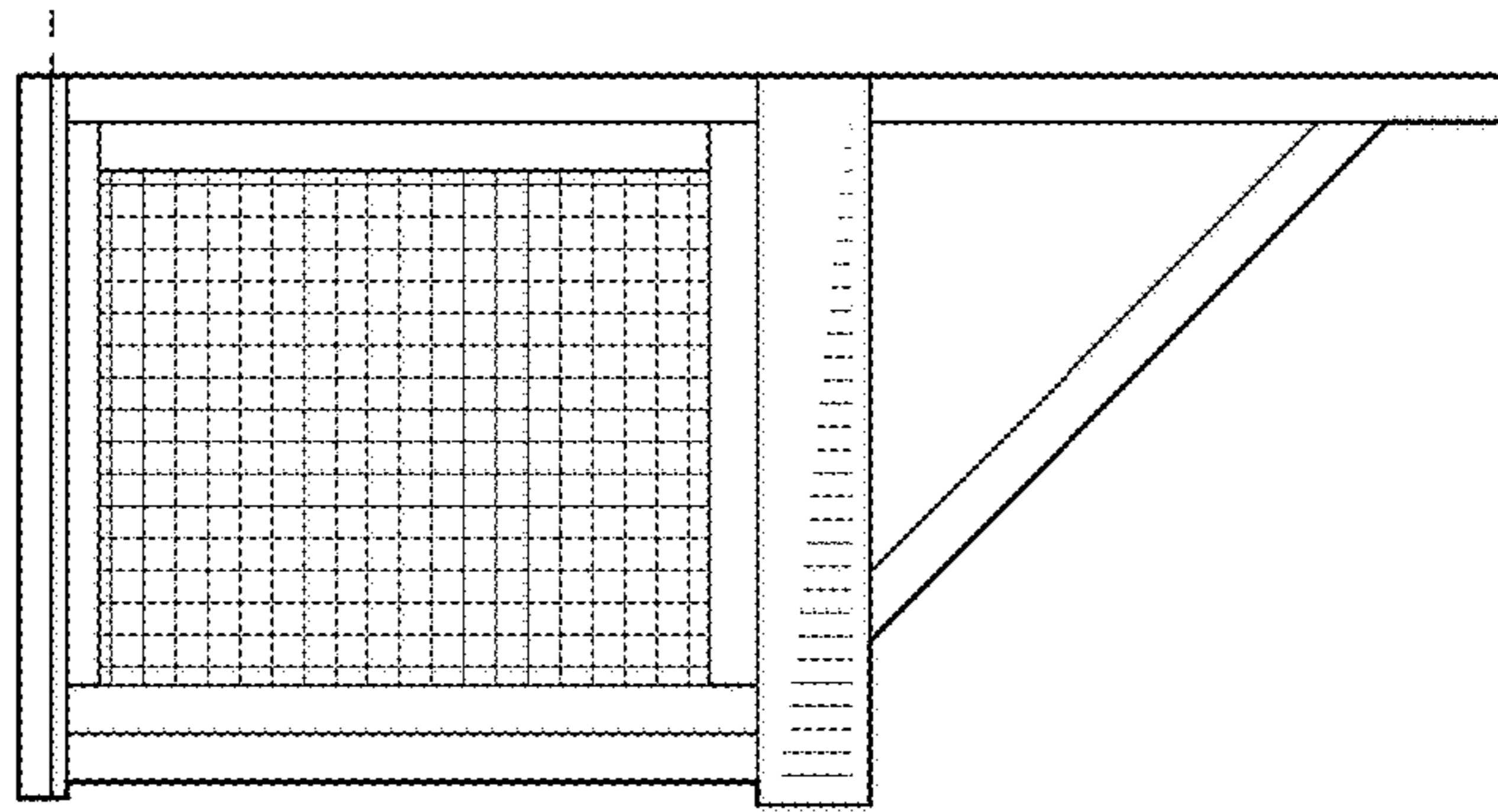


FIG. 13

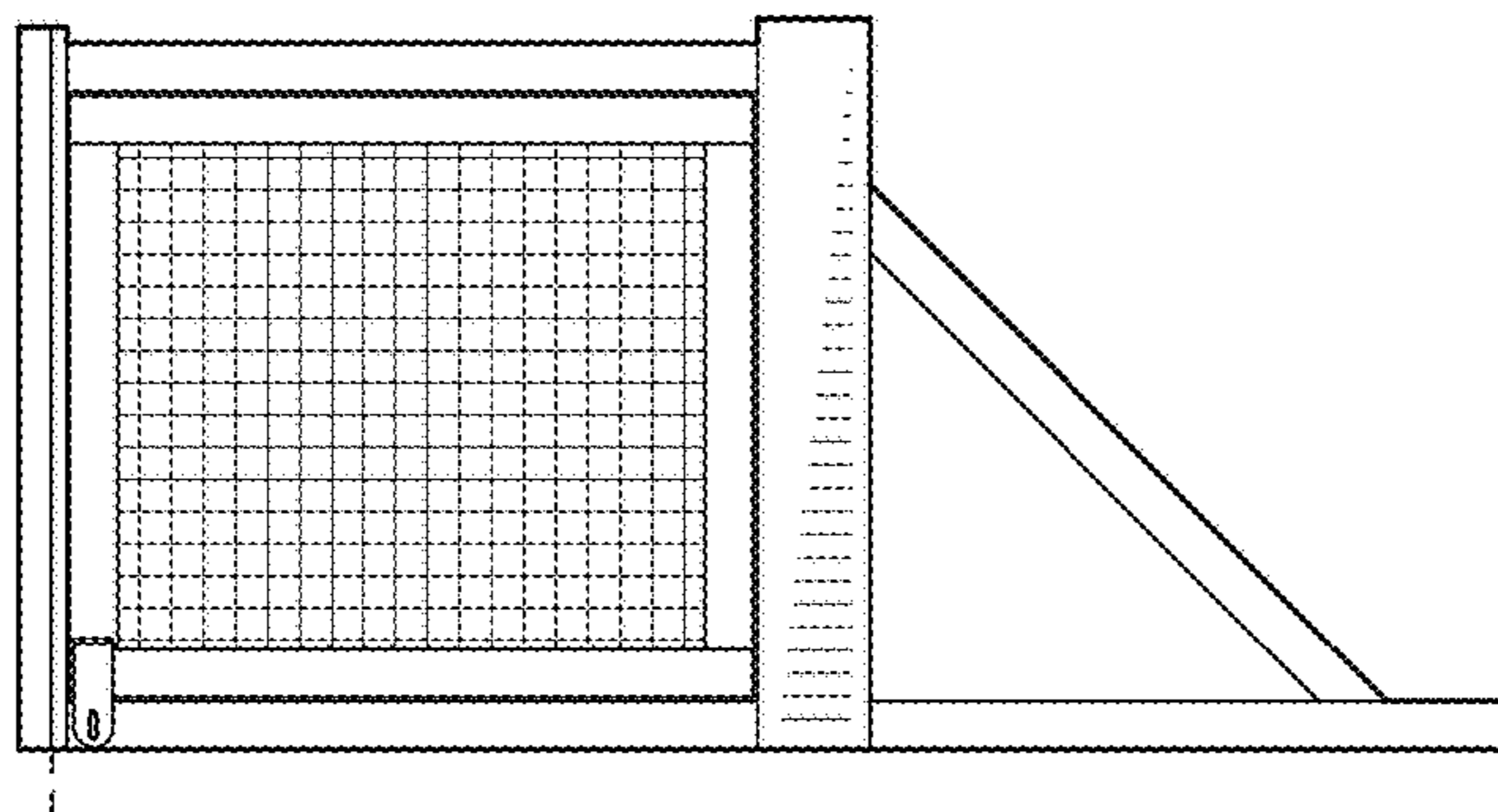


FIG. 12

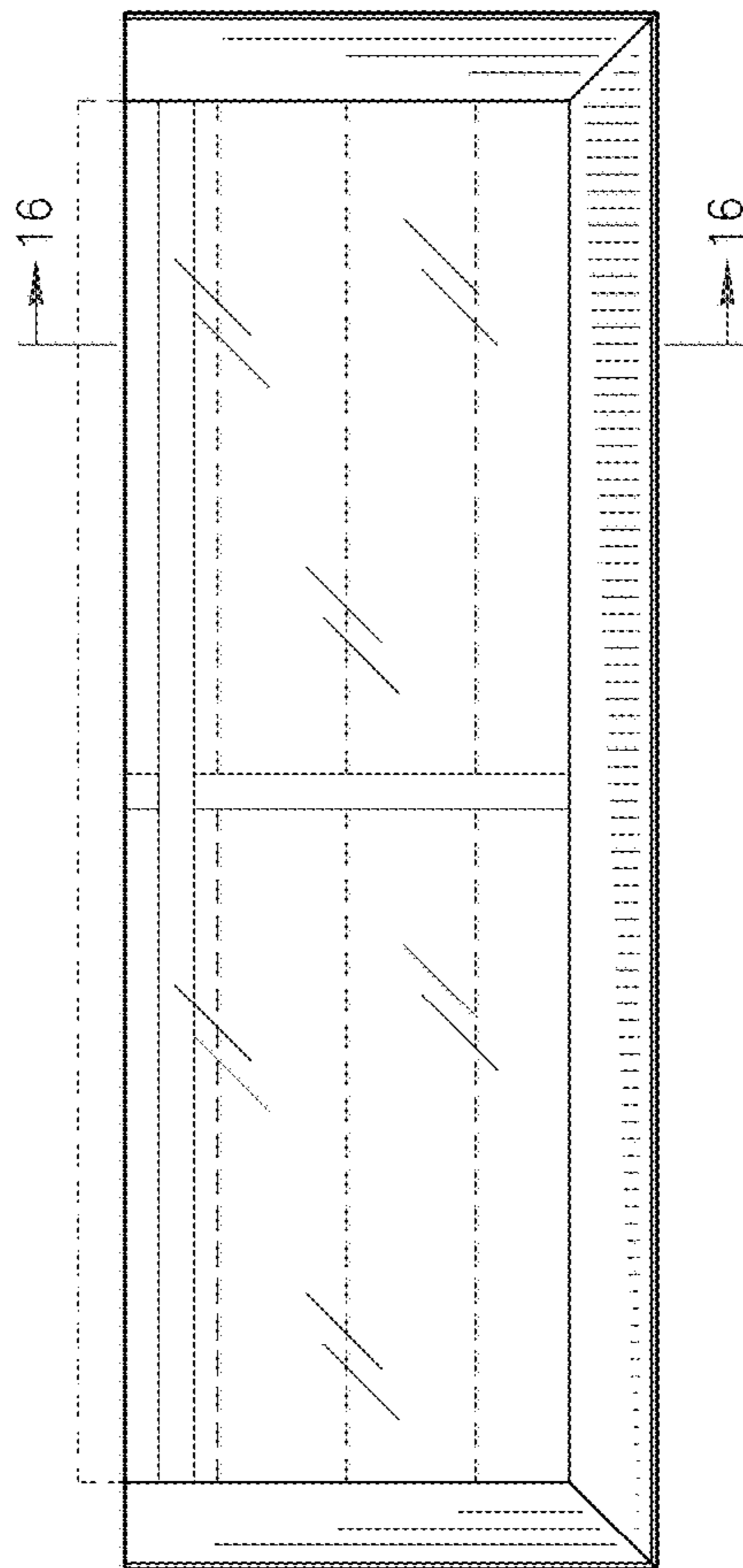


FIG. 14

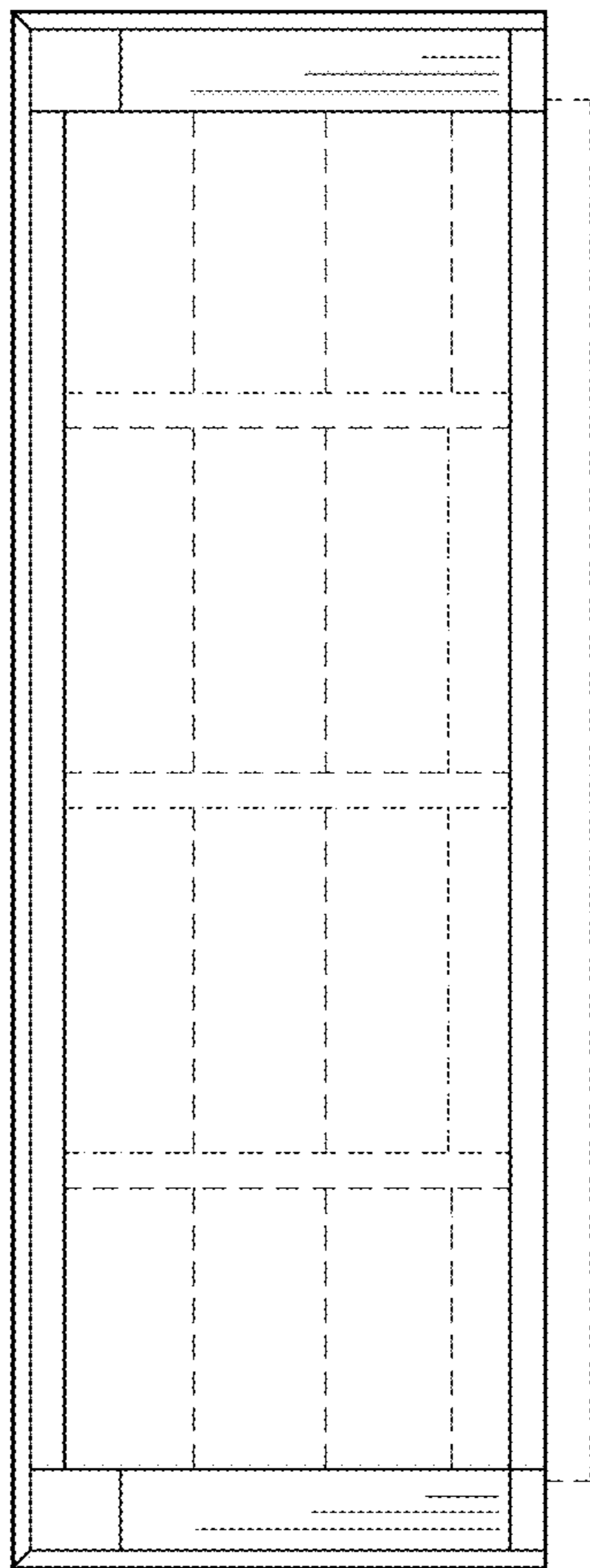


FIG. 15

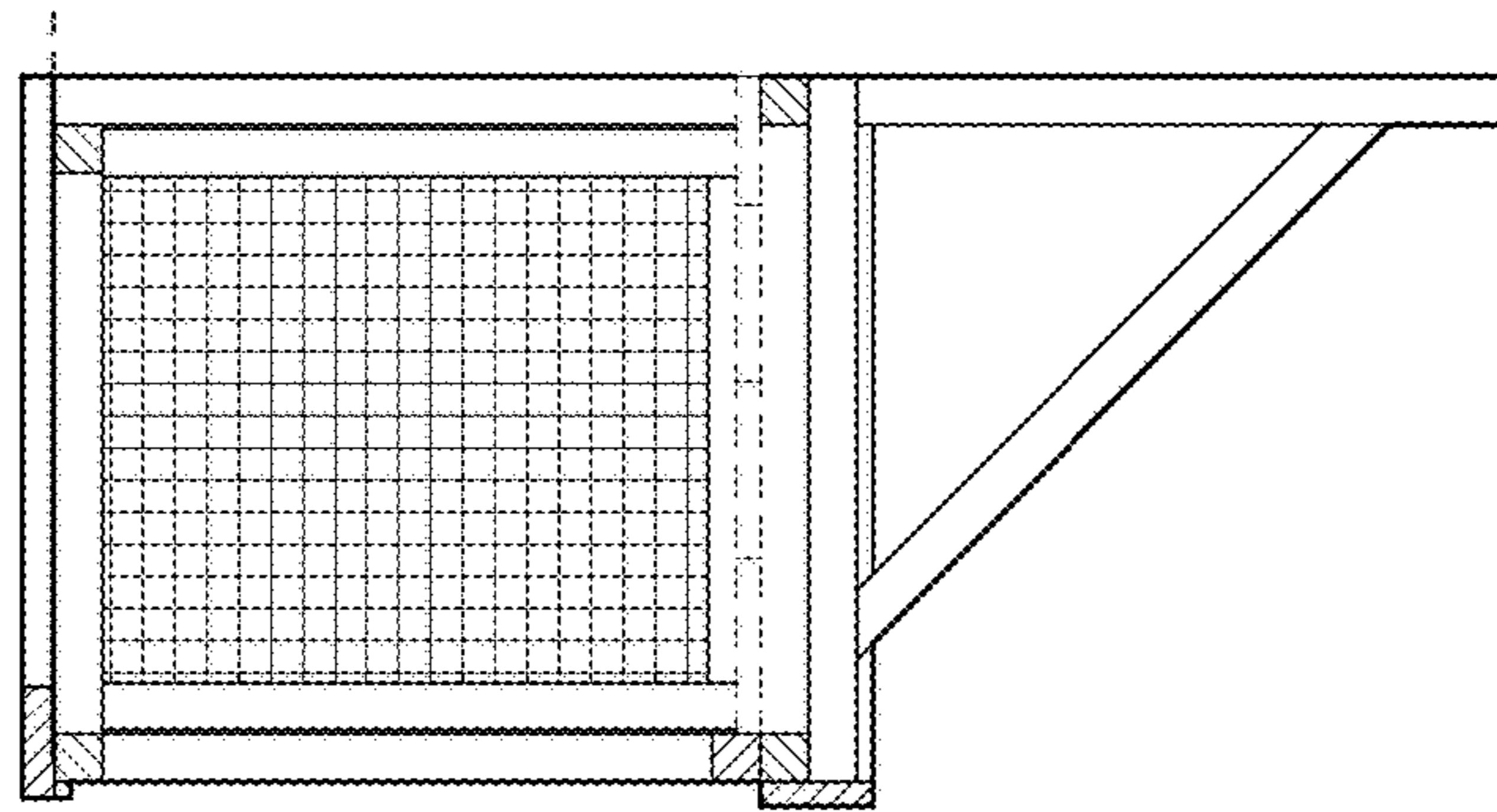


FIG. 16

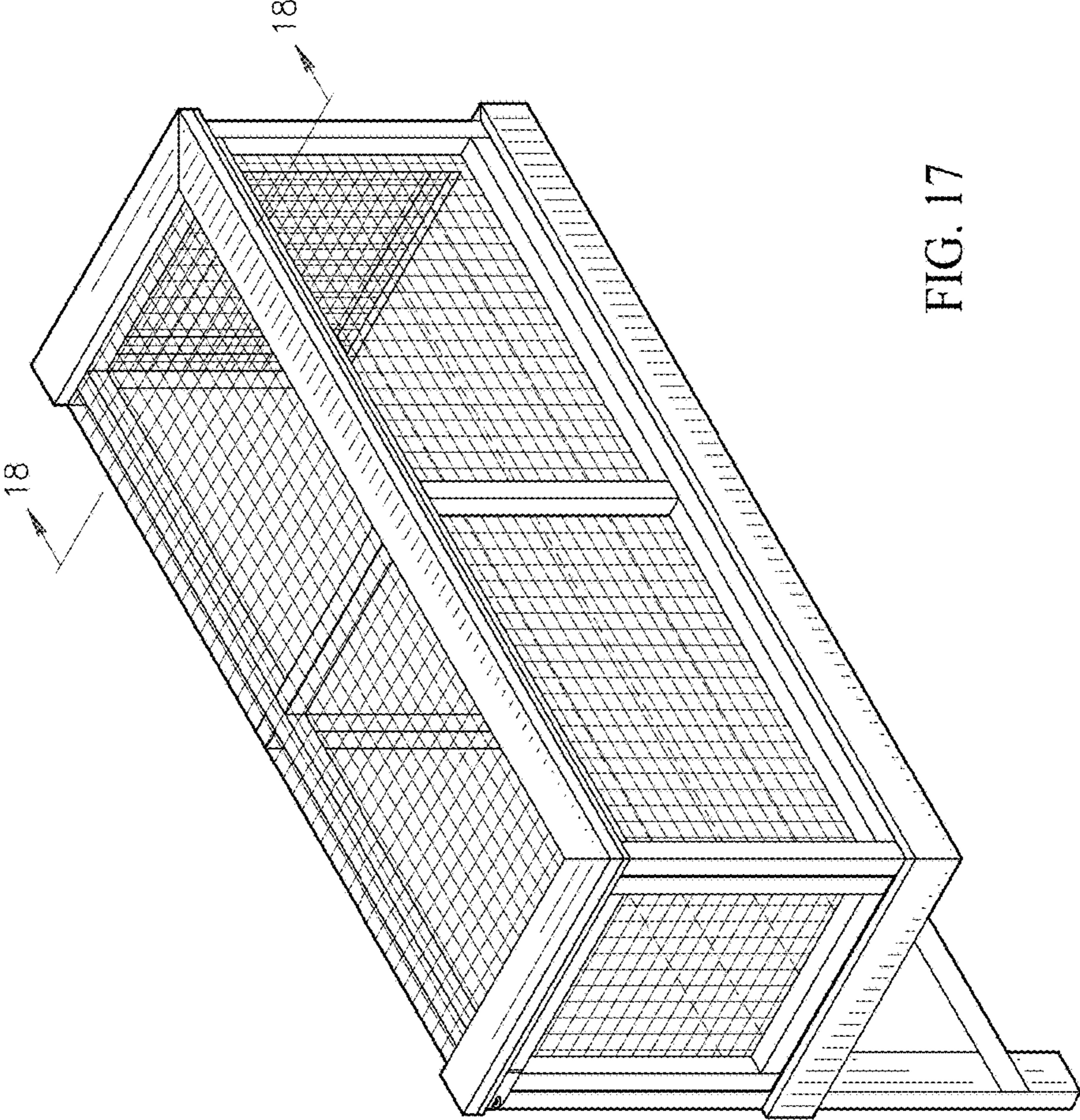


FIG. 17

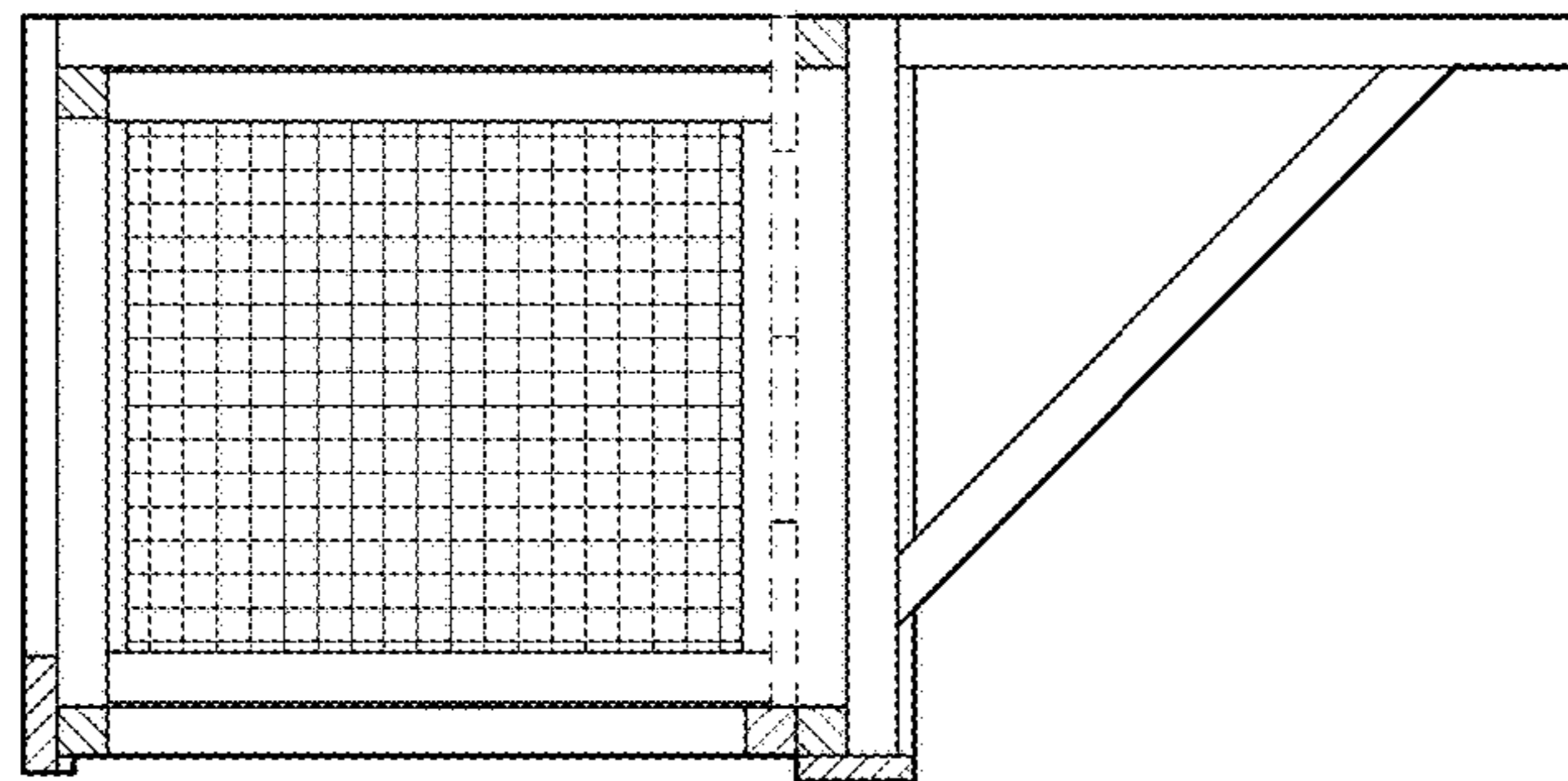


FIG. 18

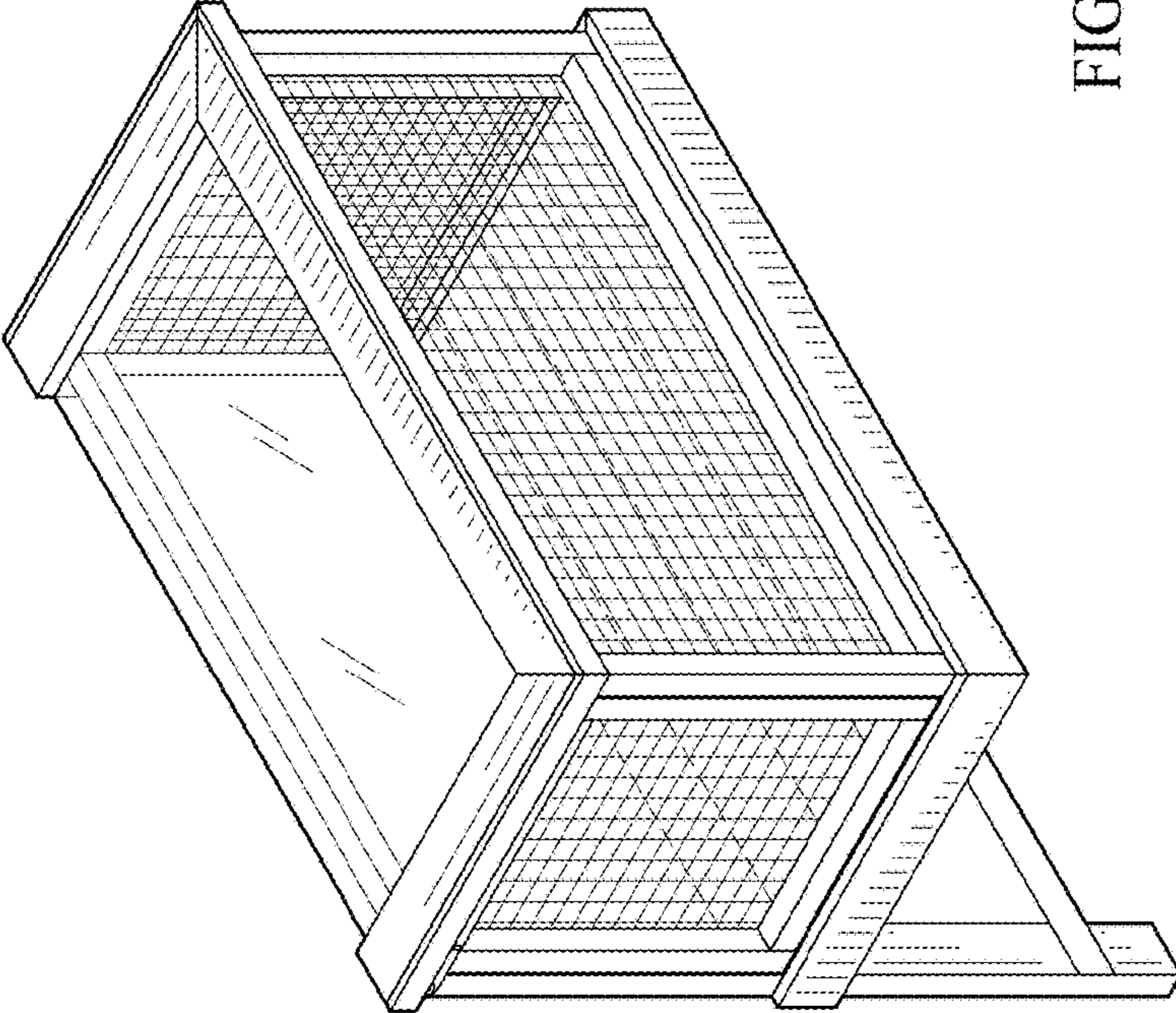


FIG. 19

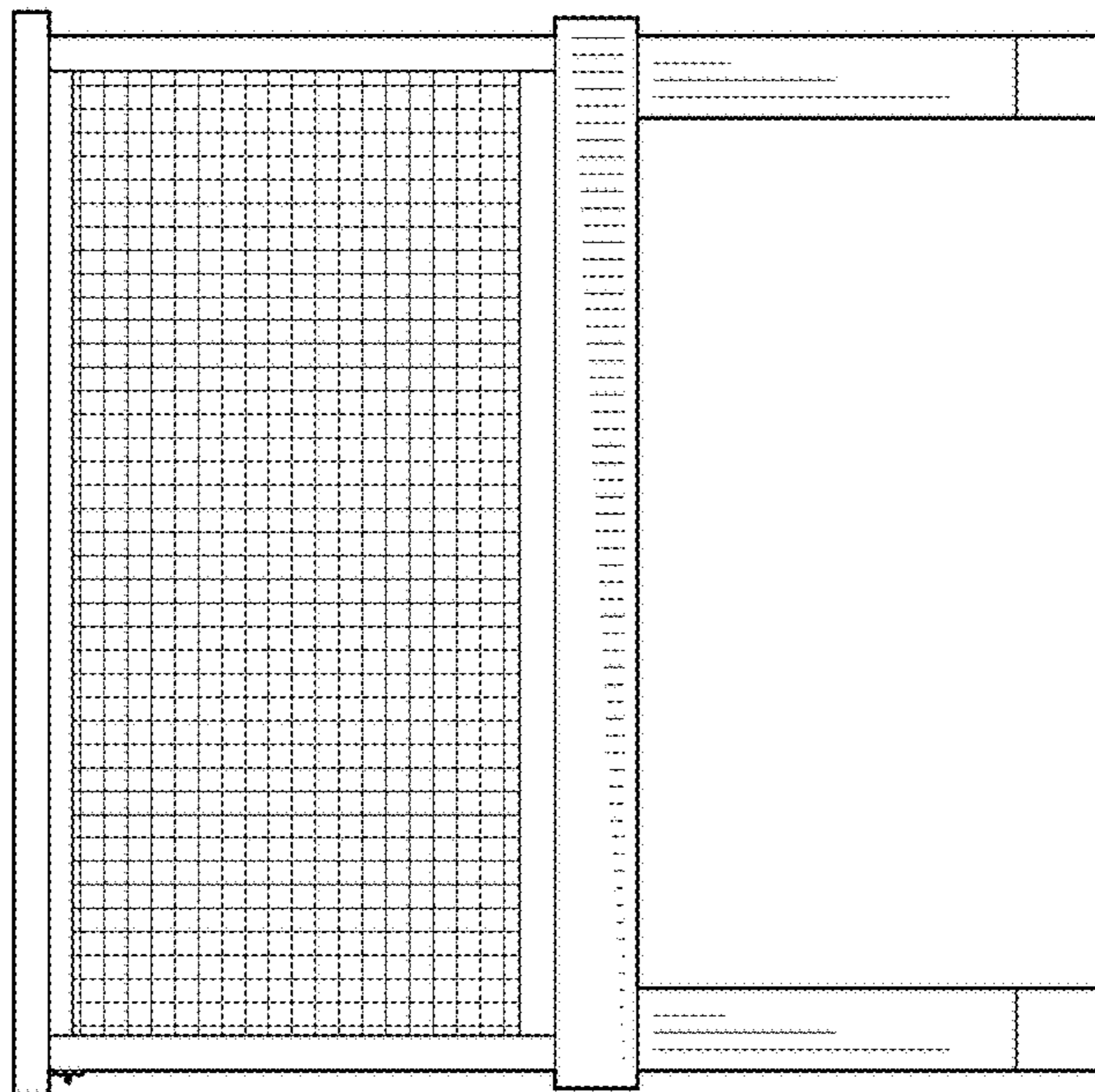


FIG. 20

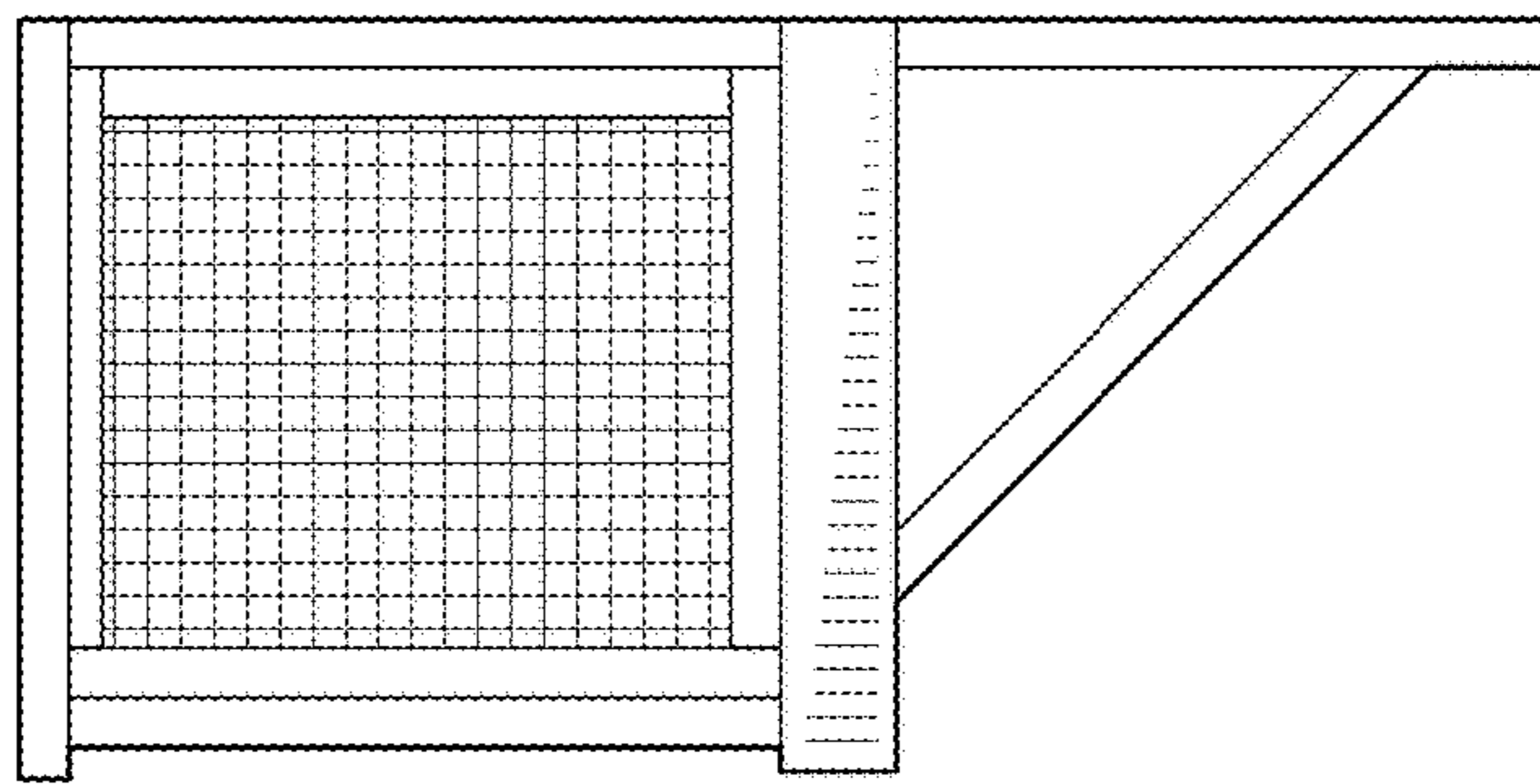


FIG. 22

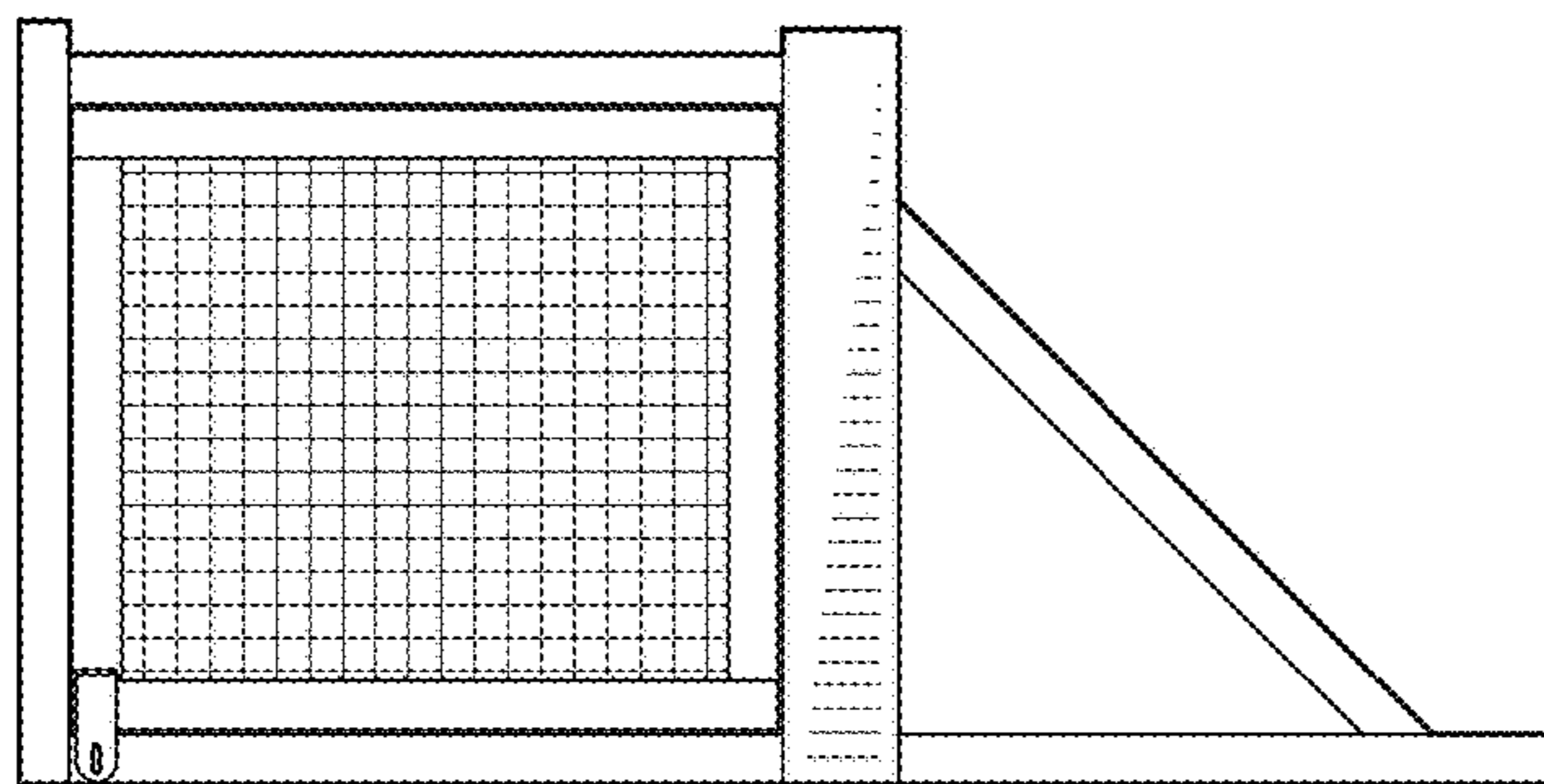


FIG. 21

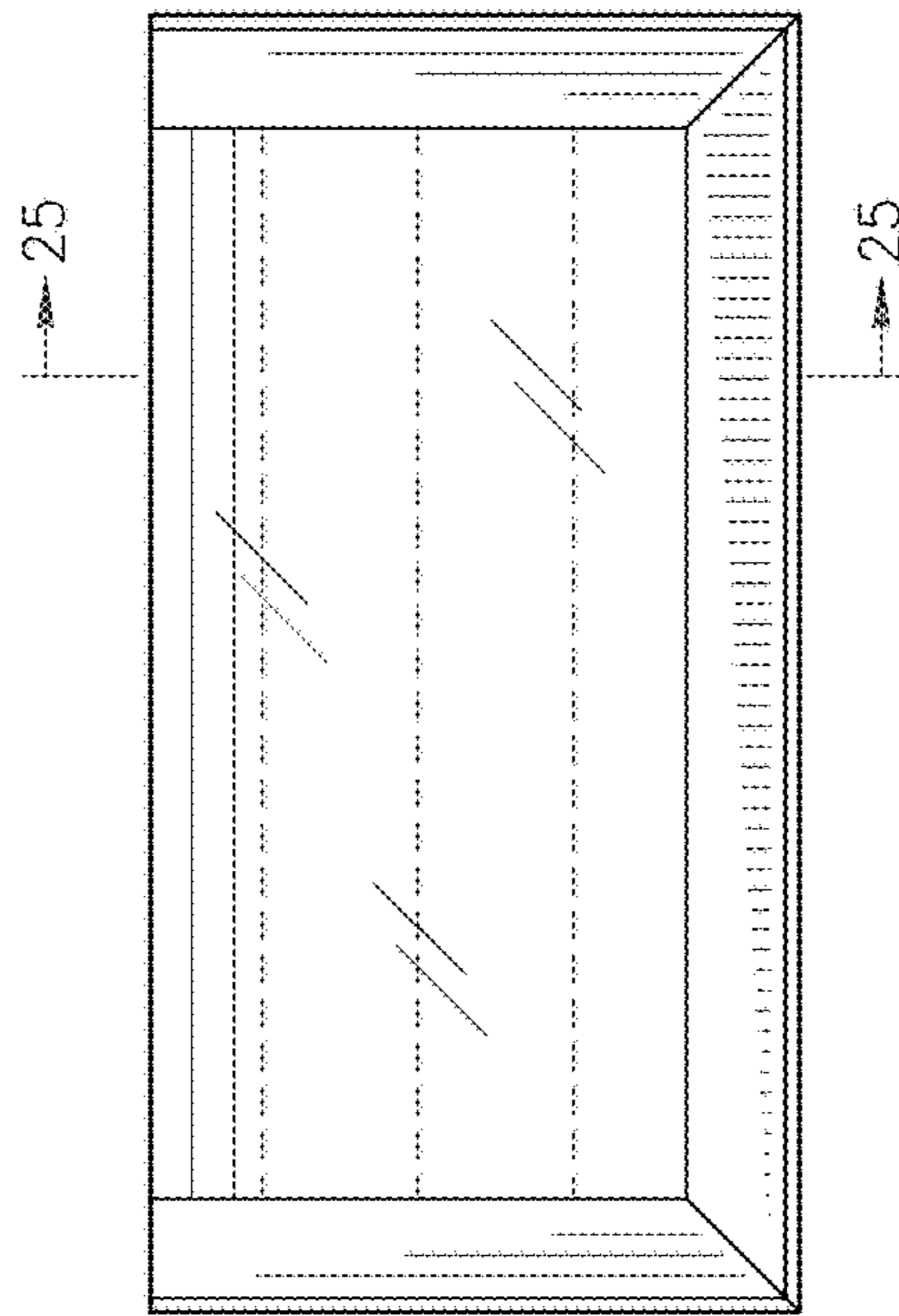


FIG. 23

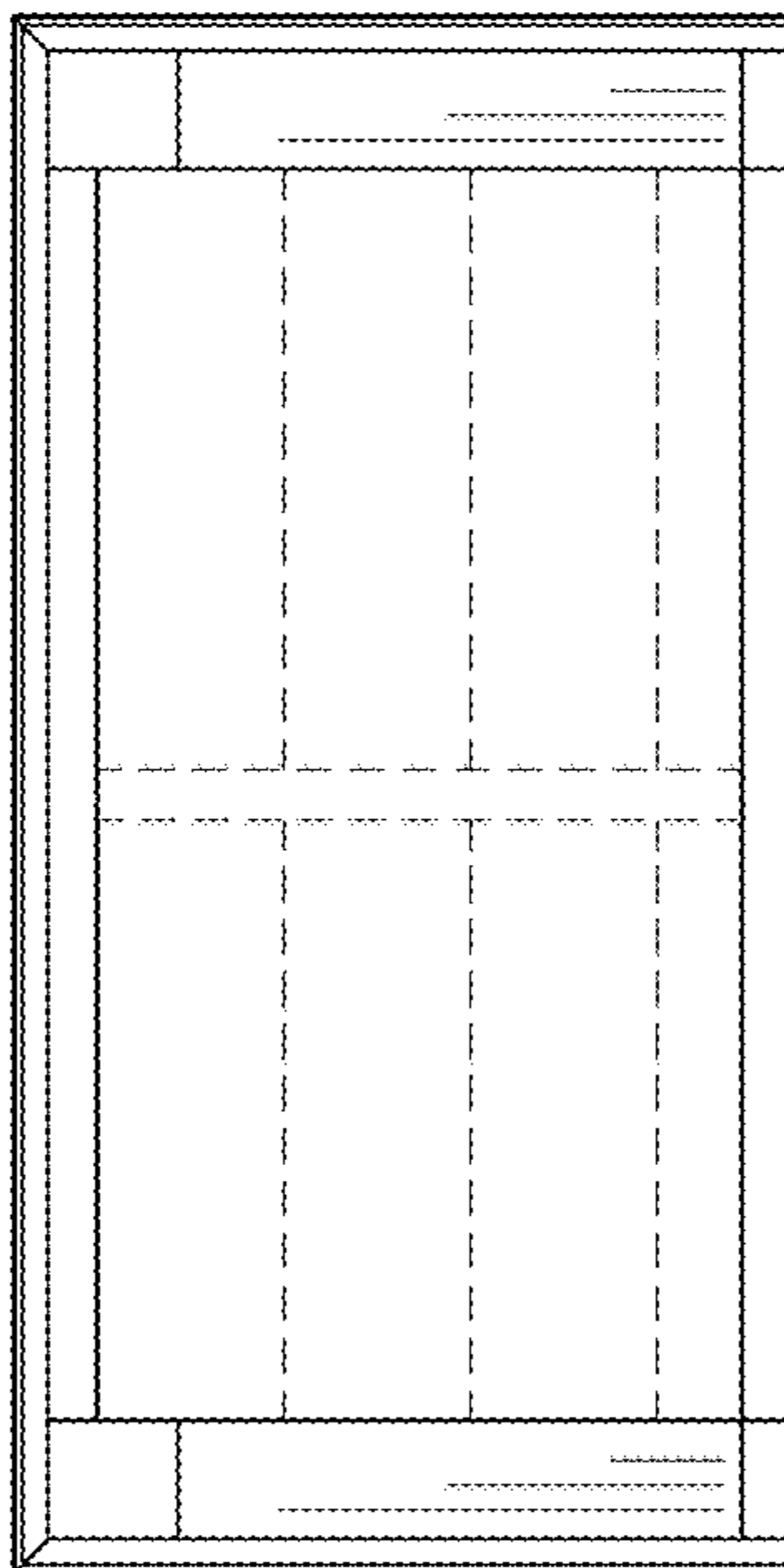


FIG. 24

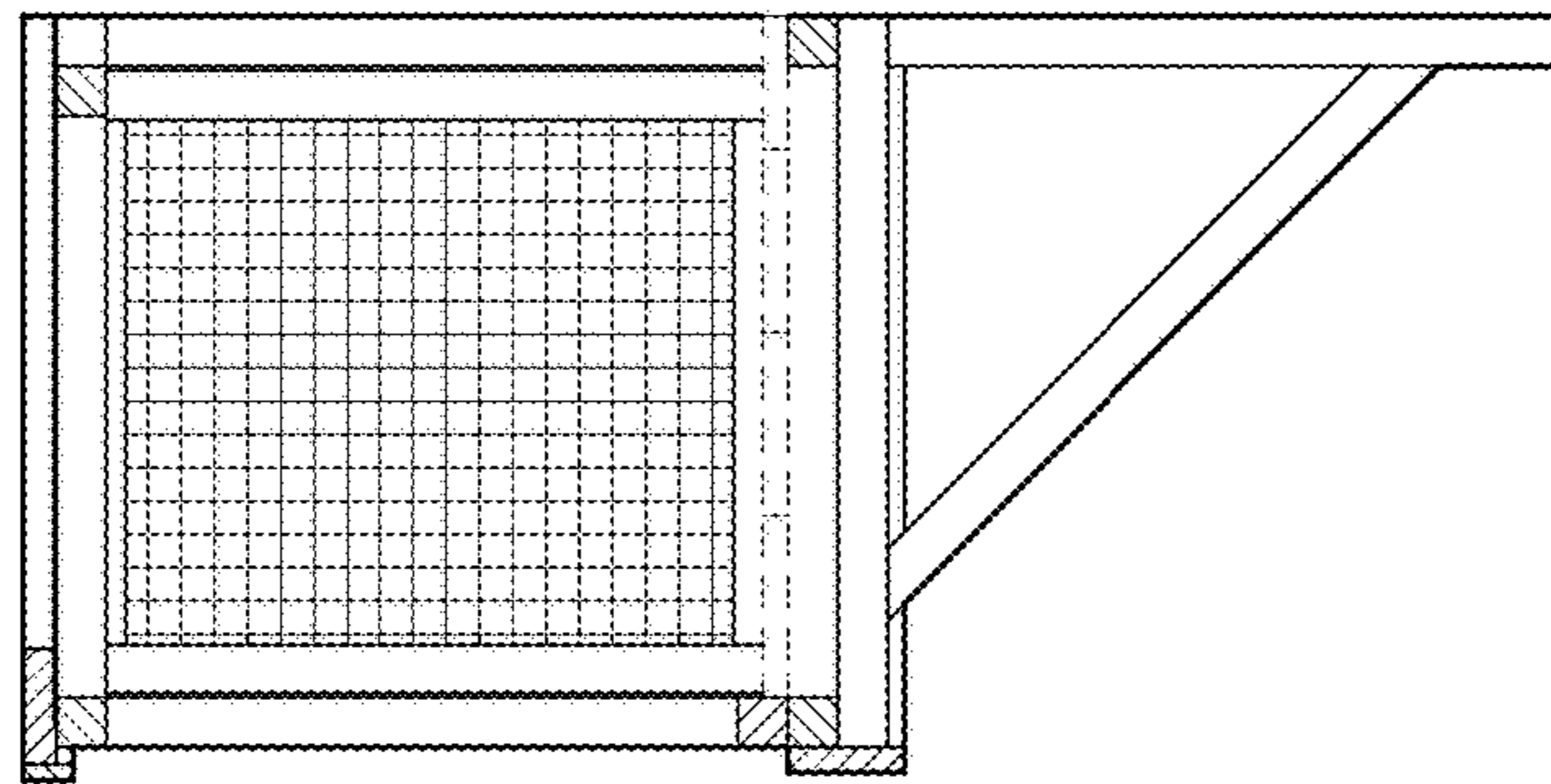


FIG. 25

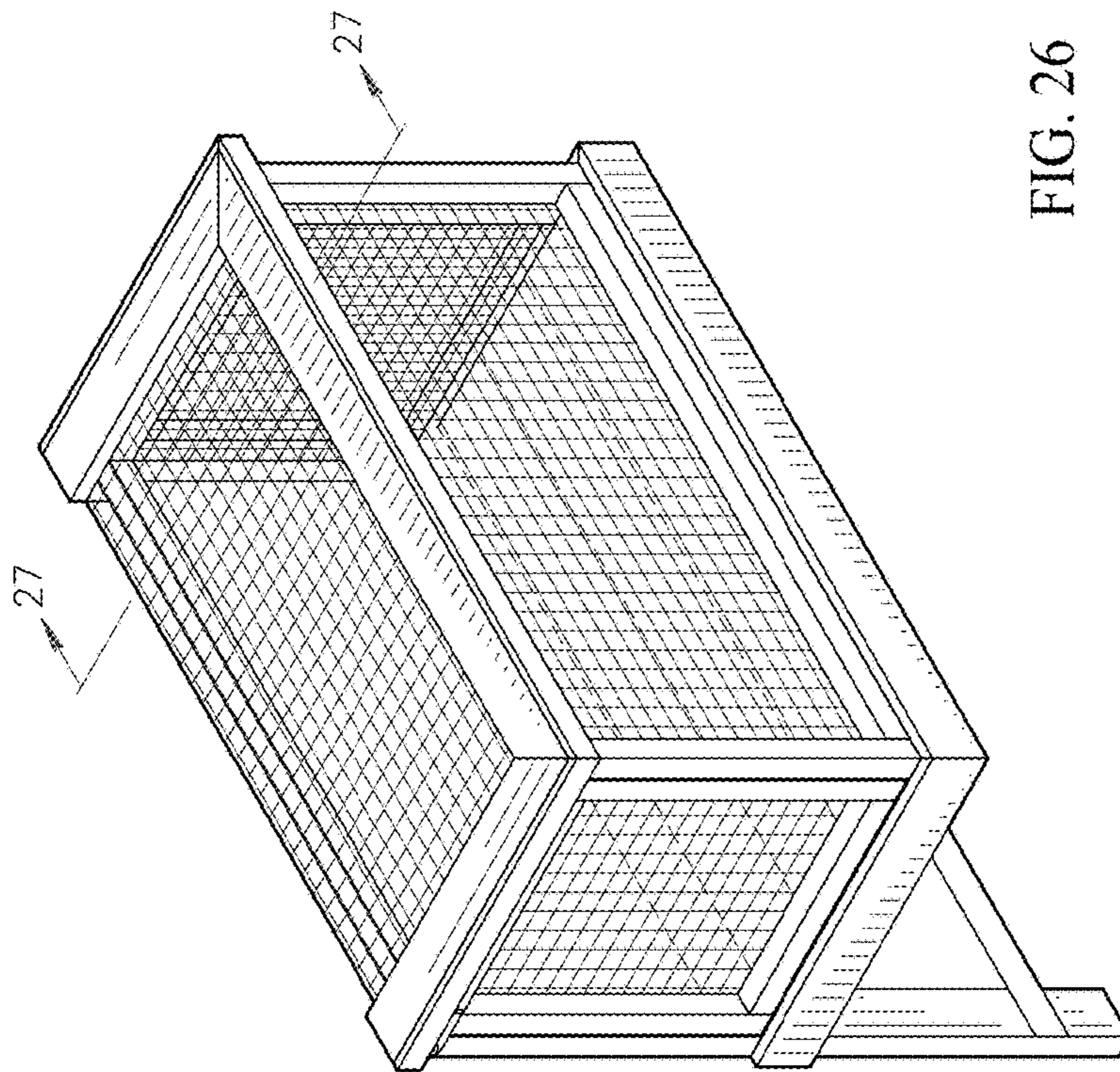


FIG. 26

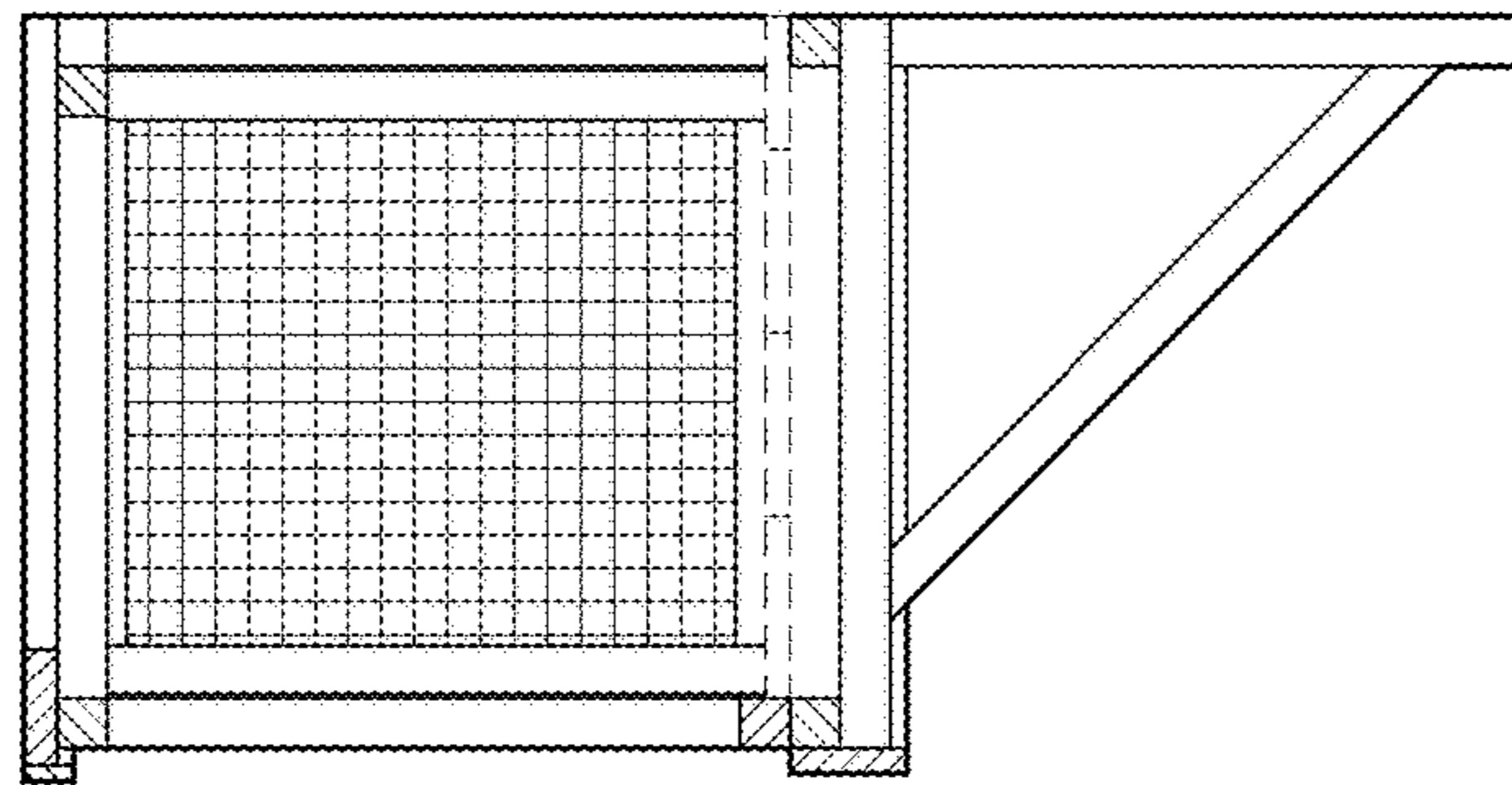


FIG. 27

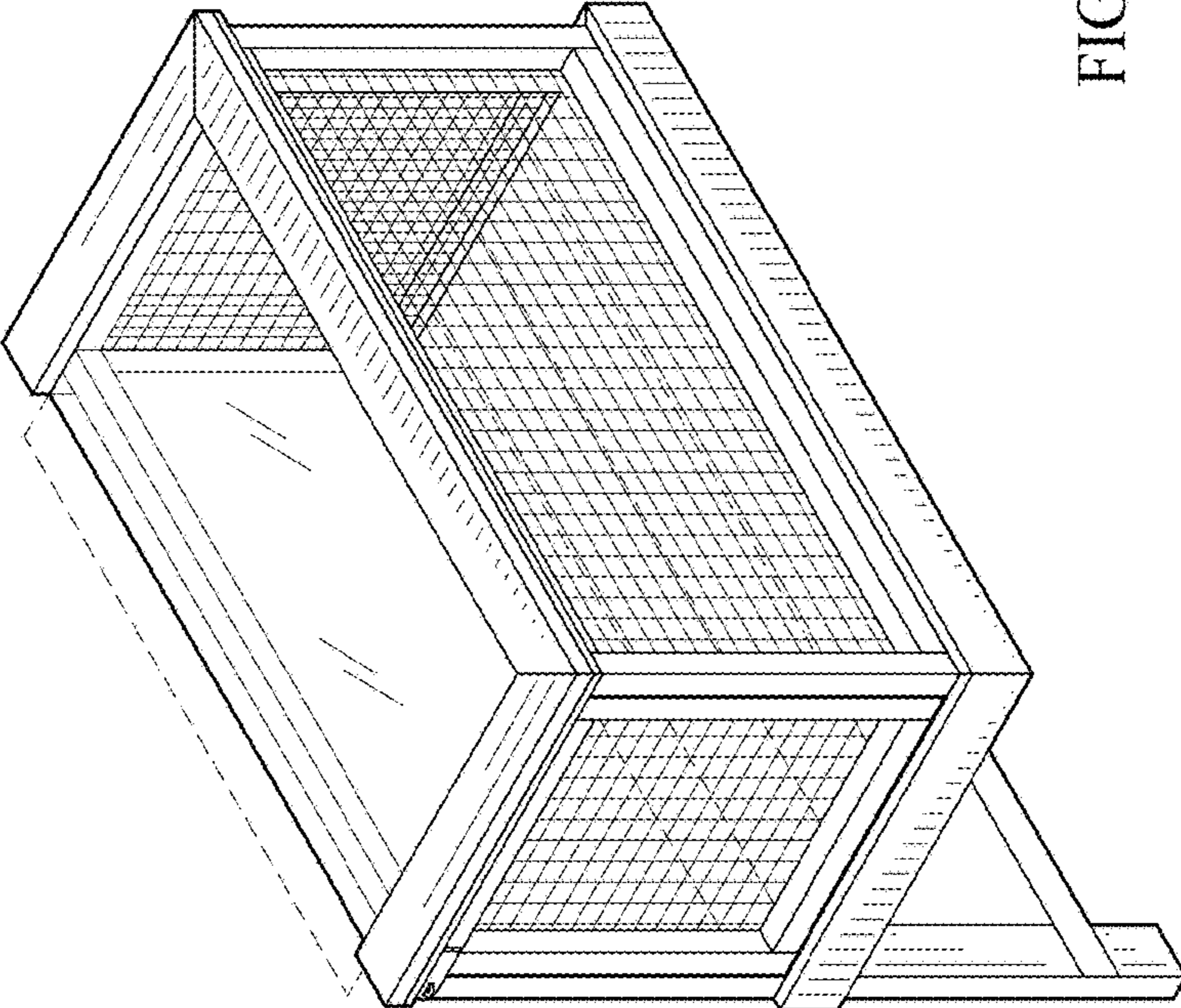


FIG. 28

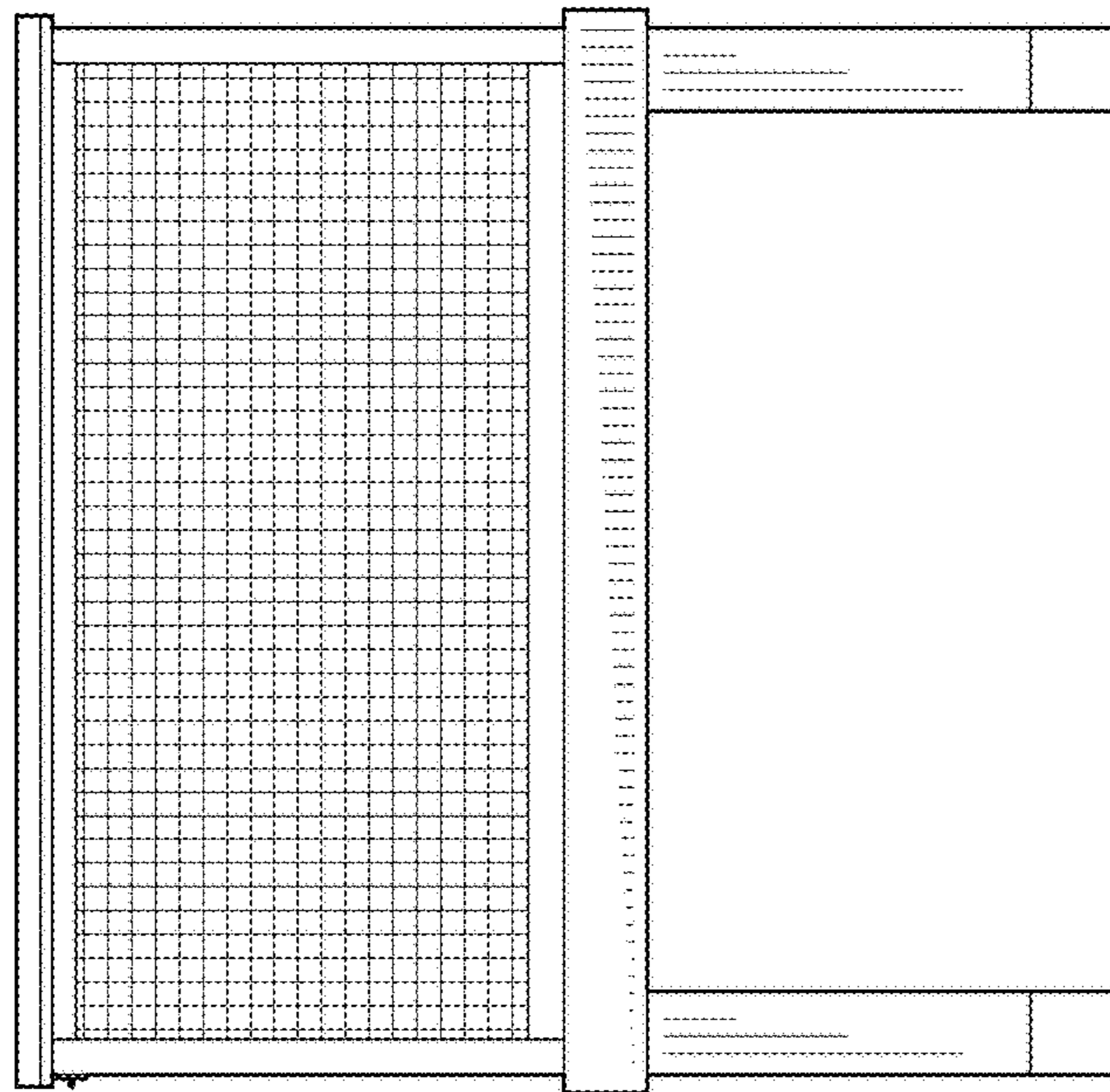


FIG. 29

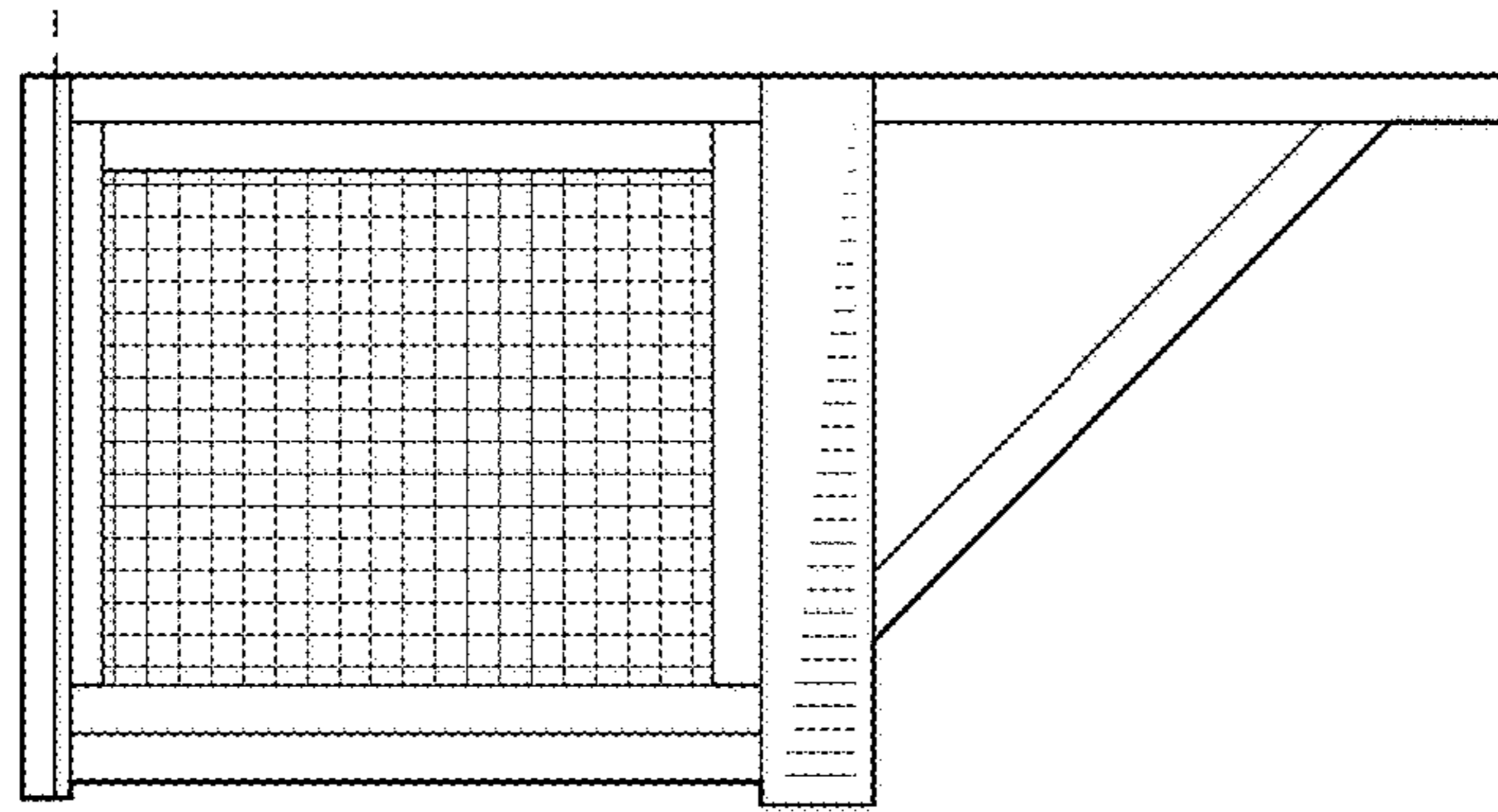


FIG. 31

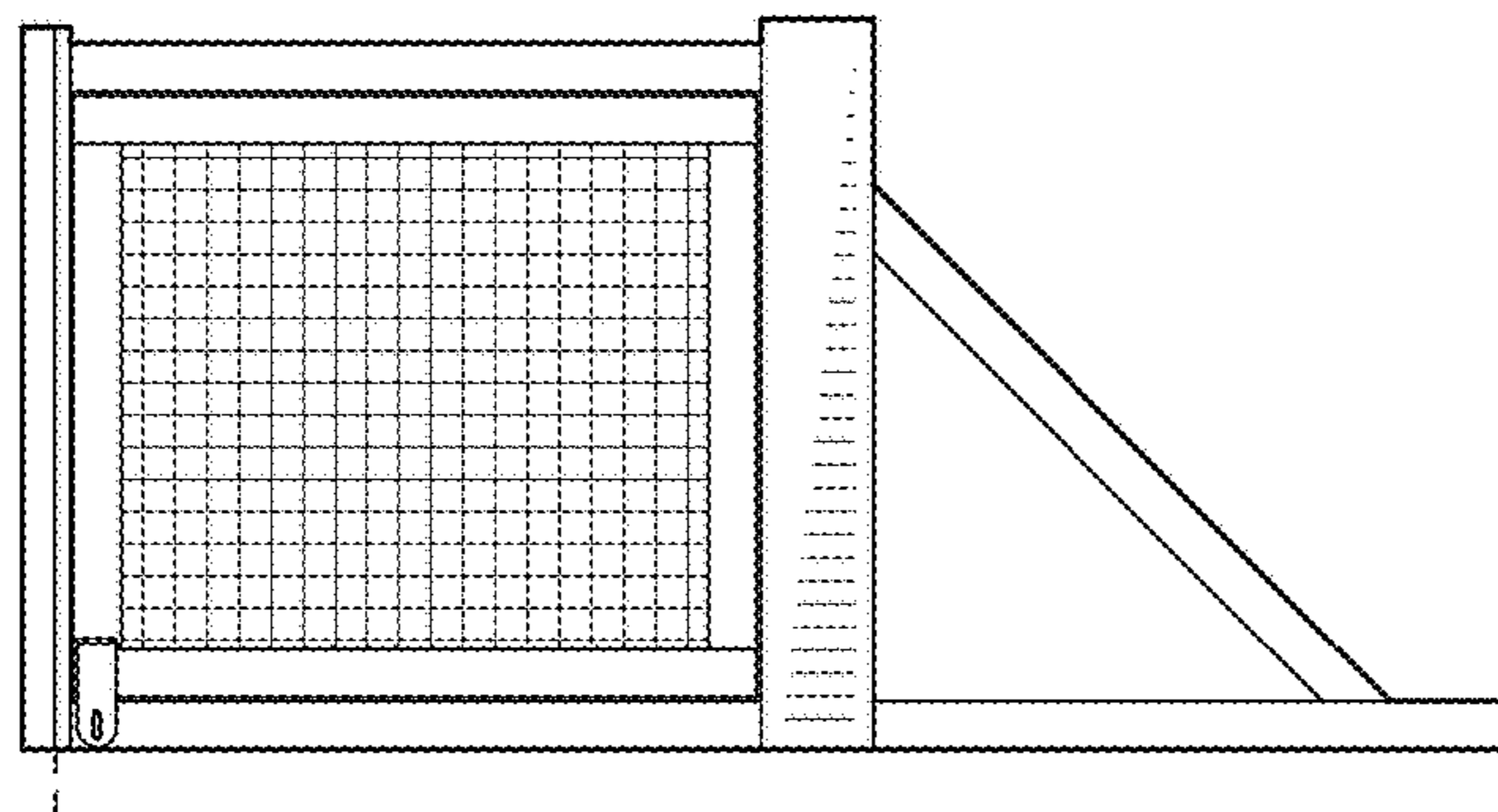


FIG. 30

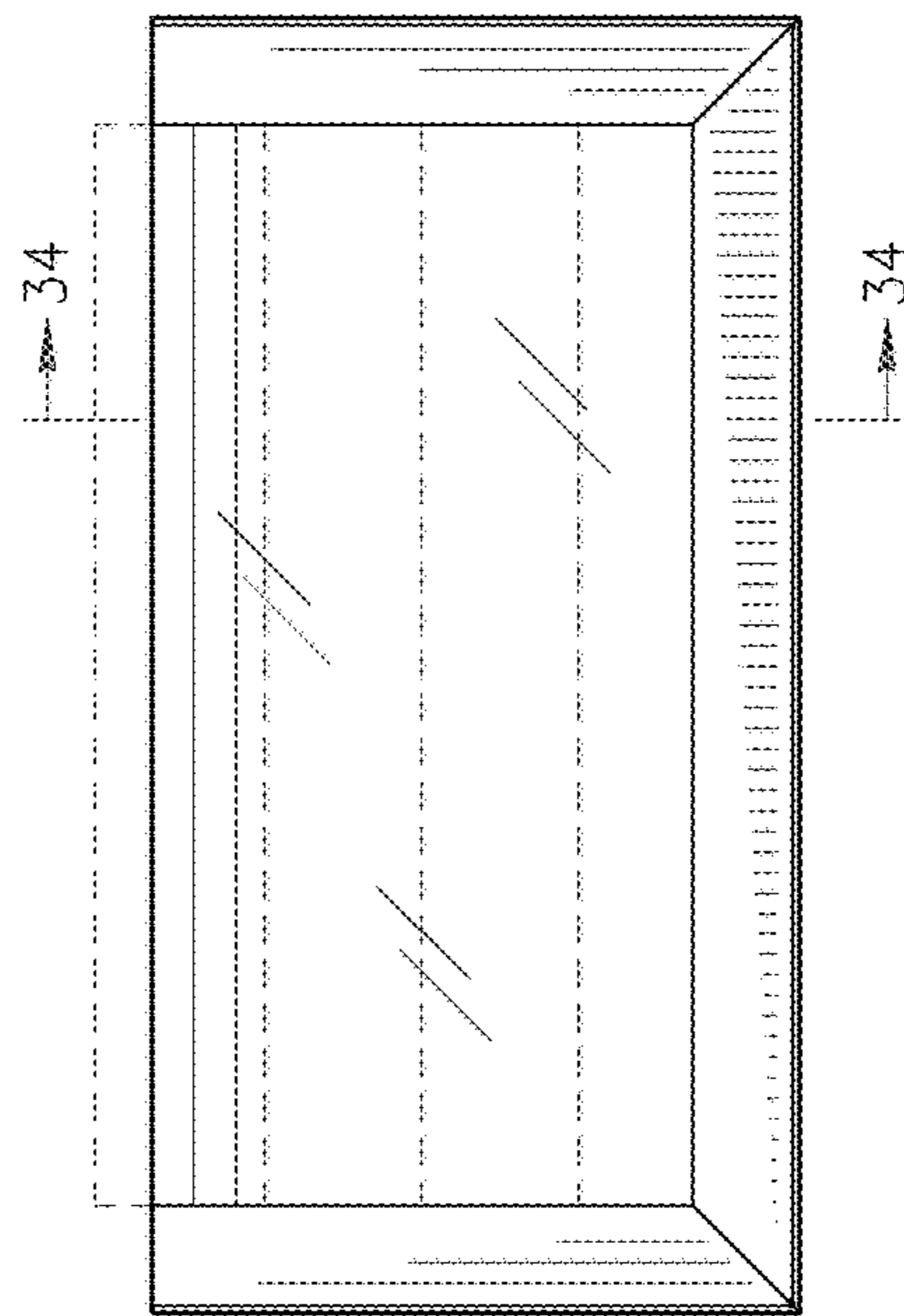


FIG. 32

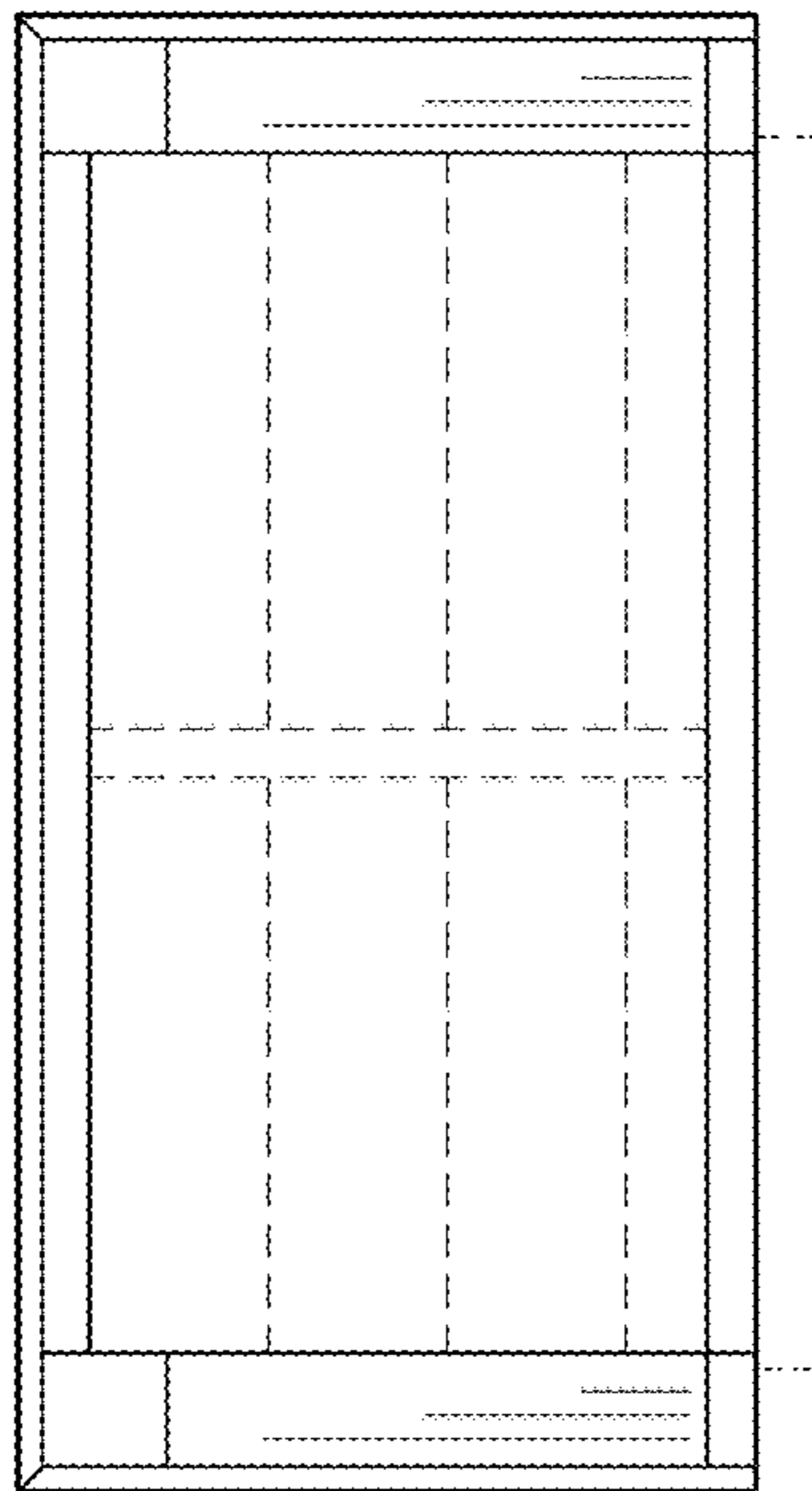


FIG. 33

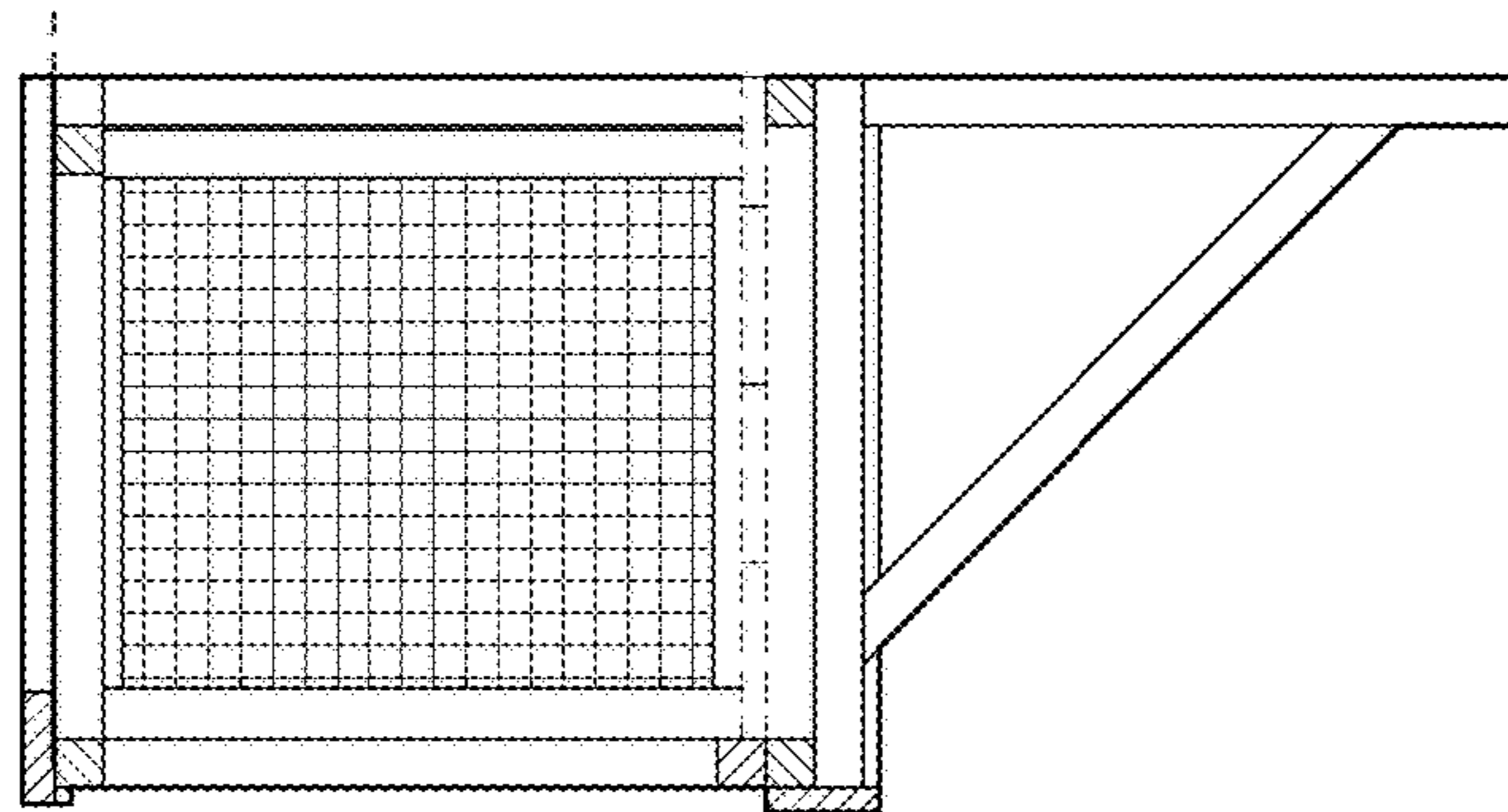


FIG. 34

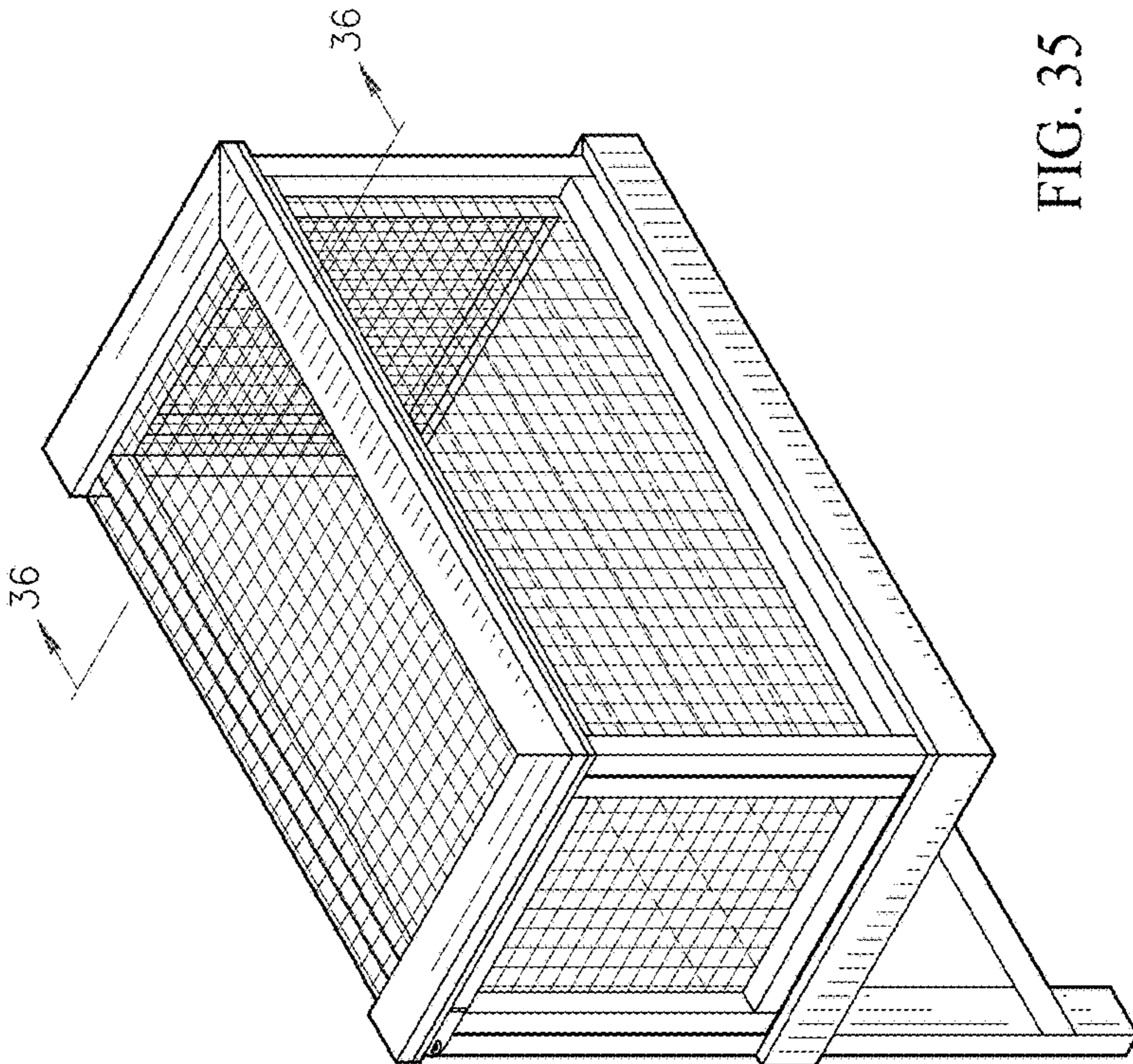


FIG. 35

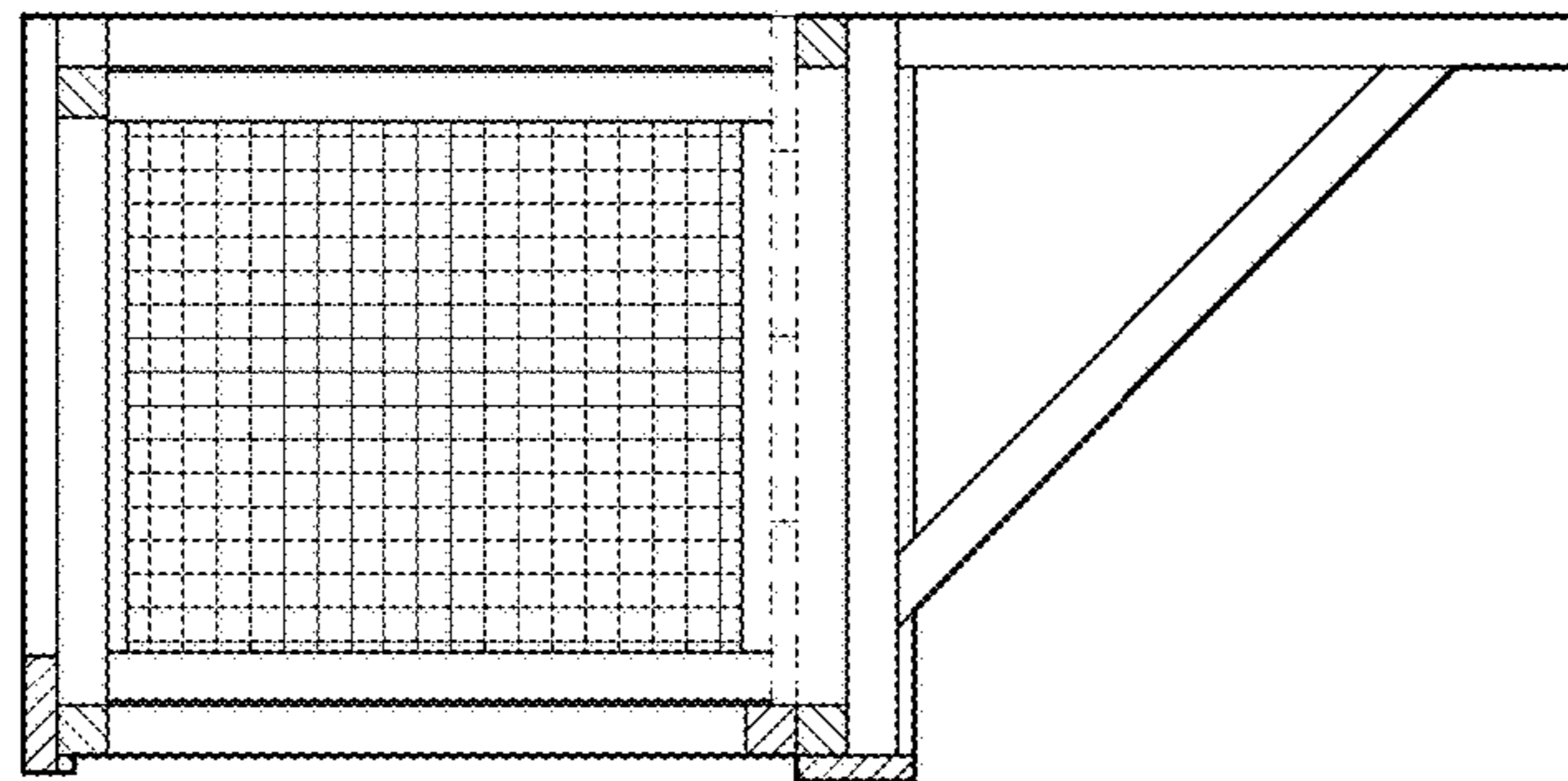


FIG. 36