



US00D858897S

(12) **United States Design Patent** (10) **Patent No.:** **US D858,897 S**
Cress (45) **Date of Patent:** **** Sep. 3, 2019**

(54) **UNIVERSAL BRACKET/MOUNT FOR FIRE EXTINGUISHERS**

D643,708 S * 8/2011 Hecht D8/394
D698,628 S * 2/2014 Stanley D8/367
D704,037 S * 5/2014 Popkin D8/367
D823,549 S * 7/2018 Bennett D29/130

(71) Applicant: **Karl Cress**, Winter Springs, FL (US)

* cited by examiner

(72) Inventor: **Karl Cress**, Winter Springs, FL (US)

Primary Examiner — Randall H Gholson

(**) Term: **15 Years**

(74) *Attorney, Agent, or Firm* — Allen, Dyer, Doppelt + Gilchrist, PA

(21) Appl. No.: **29/674,486**

(22) Filed: **Dec. 21, 2018**

(57) **CLAIM**

(51) **LOC (12) Cl.** **29-01**

The ornamental design for a universal bracket/mount for fire extinguishers, as shown and described.

(52) **U.S. Cl.**

USPC **D29/130**

DESCRIPTION

(58) **Field of Classification Search**

USPC D29/125, 126, 129, 130; D8/394–396
CPC A47K 1/08; F16B 45/00; E04G 21/32;
H04N 17/00

See application file for complete search history.

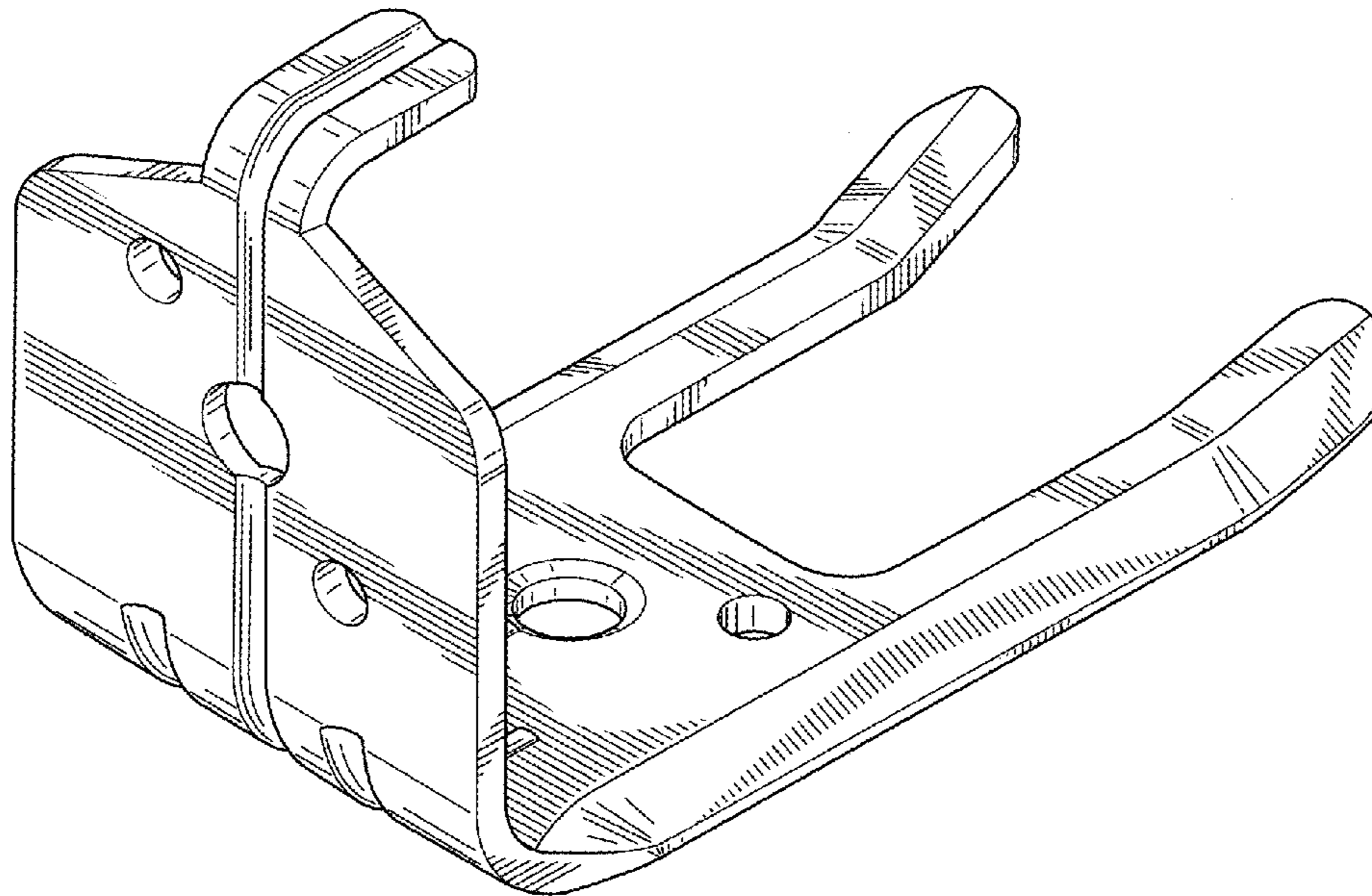
FIG. 1 is a rear-side isometric view thereof;
FIG. 2 is a front-side isometric view thereof;
FIG. 3 is a front view thereof;
FIG. 4 is a left-side view thereof;
FIG. 5 is a right-side view thereof;
FIG. 6 is a rear view thereof;
FIG. 7 is a top view thereof; and,
FIG. 8 is a bottom view thereof.

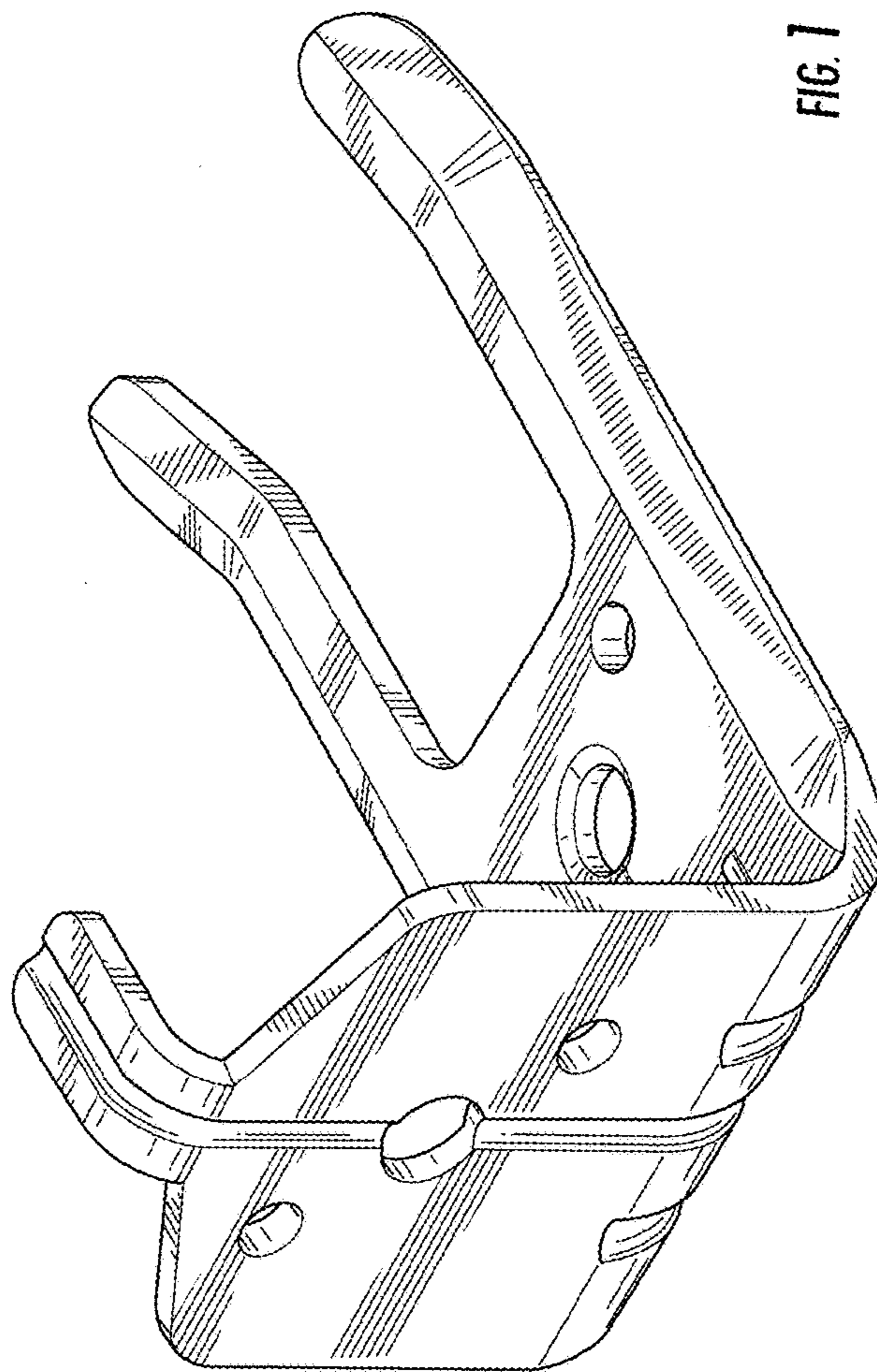
(56) **References Cited**

U.S. PATENT DOCUMENTS

D372,189 S * 7/1996 Andis D28/73
D420,565 S * 2/2000 Griffiths D8/354

1 Claim, 8 Drawing Sheets





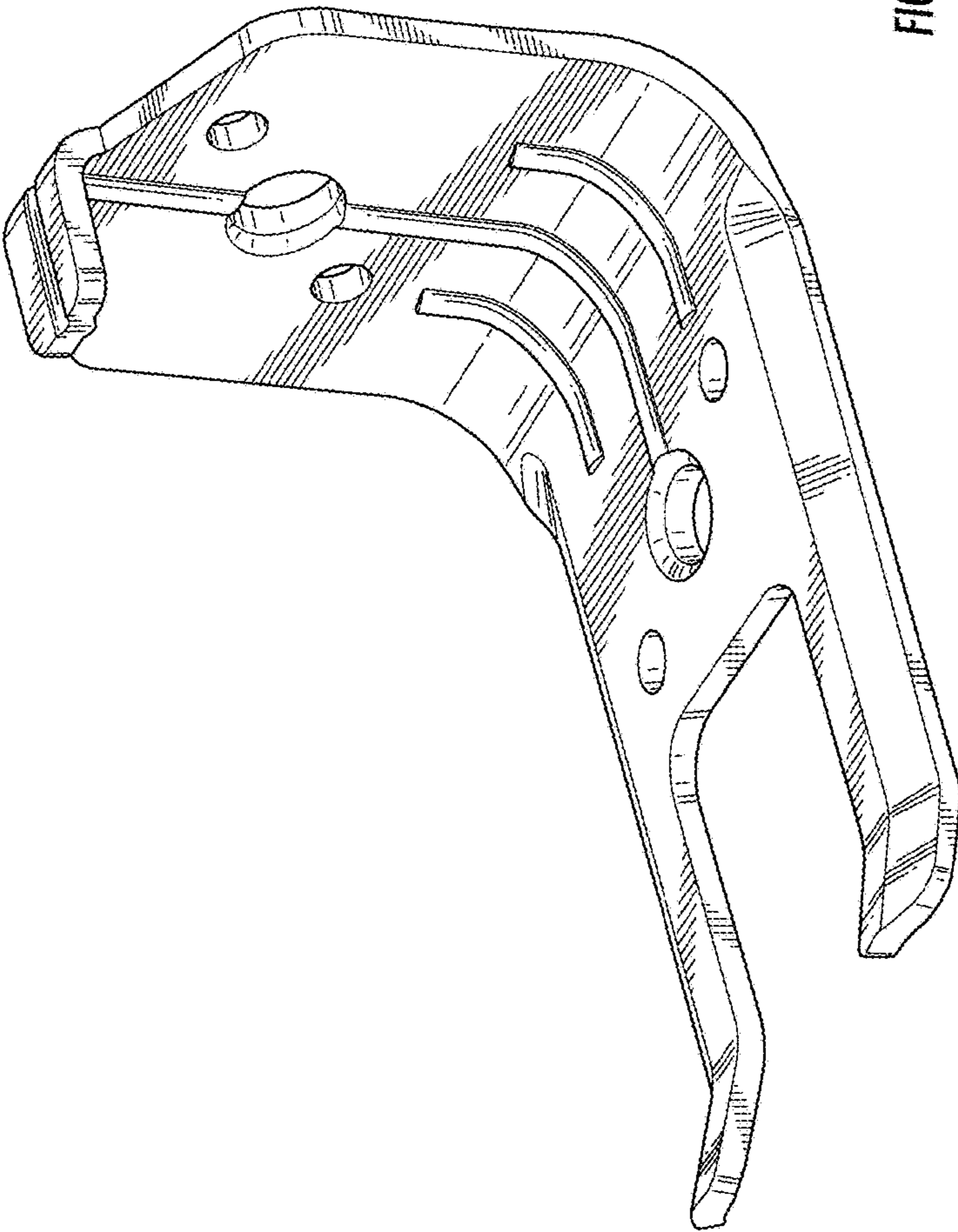


FIG. 2

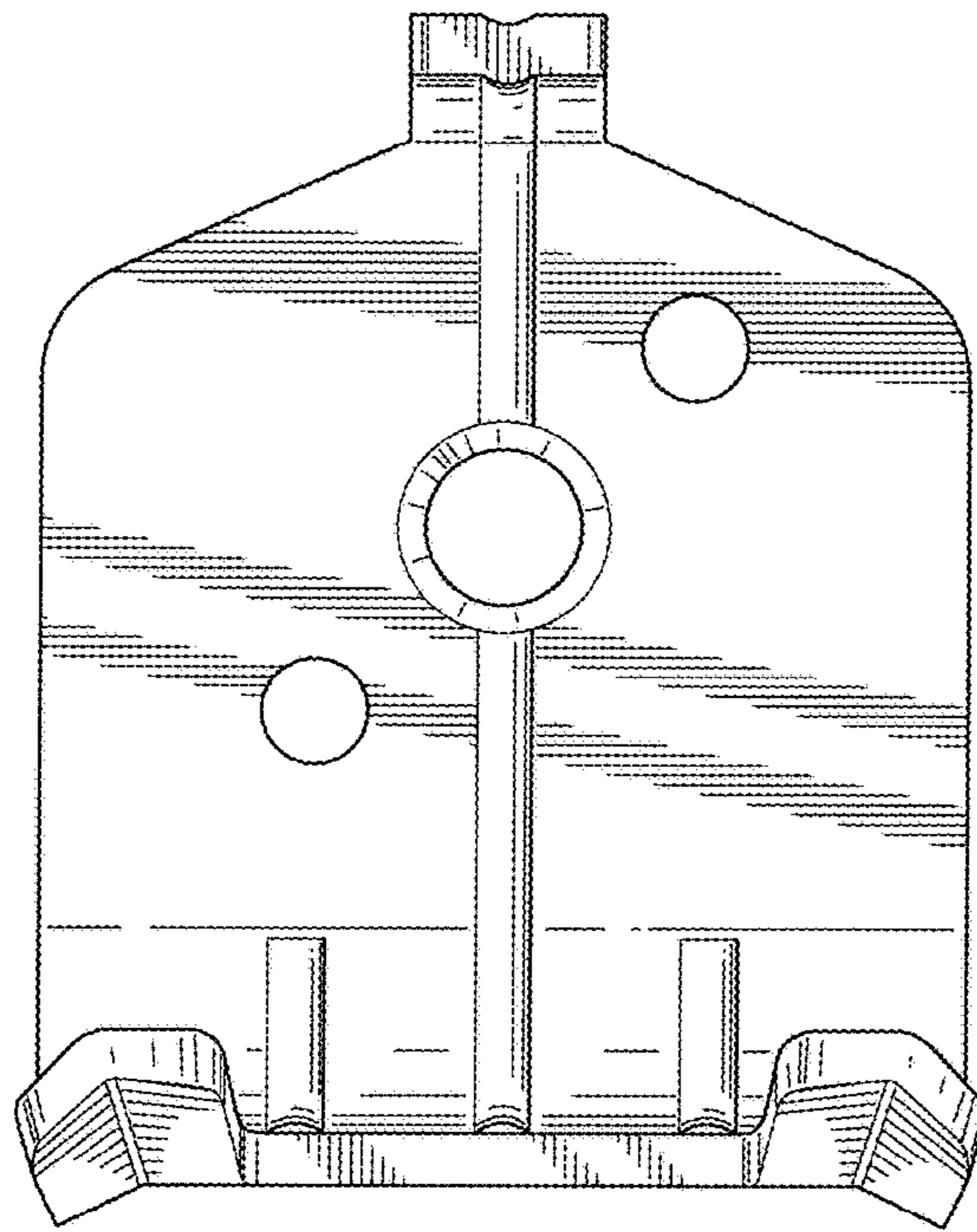


FIG. 3

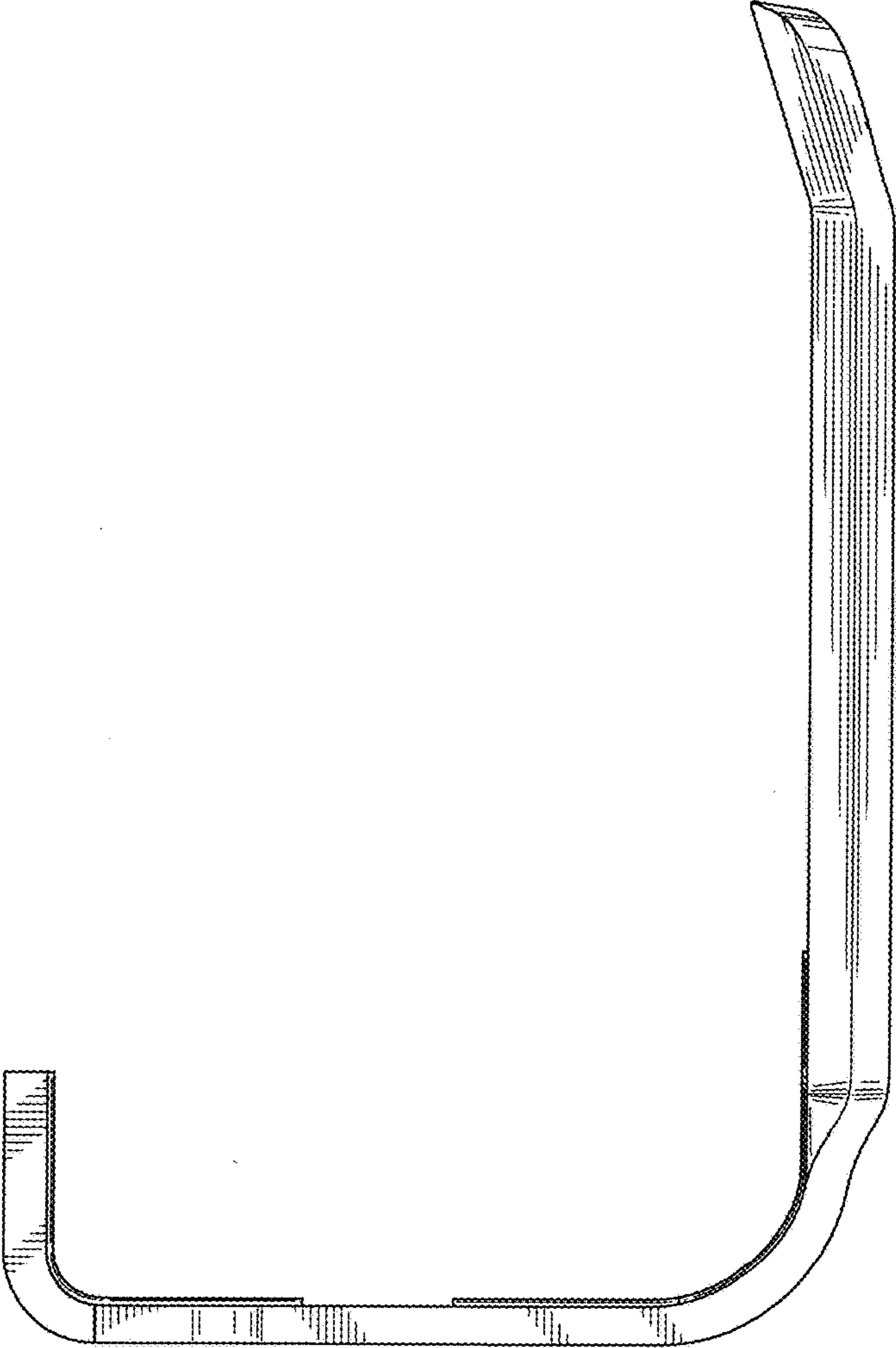


FIG. 4

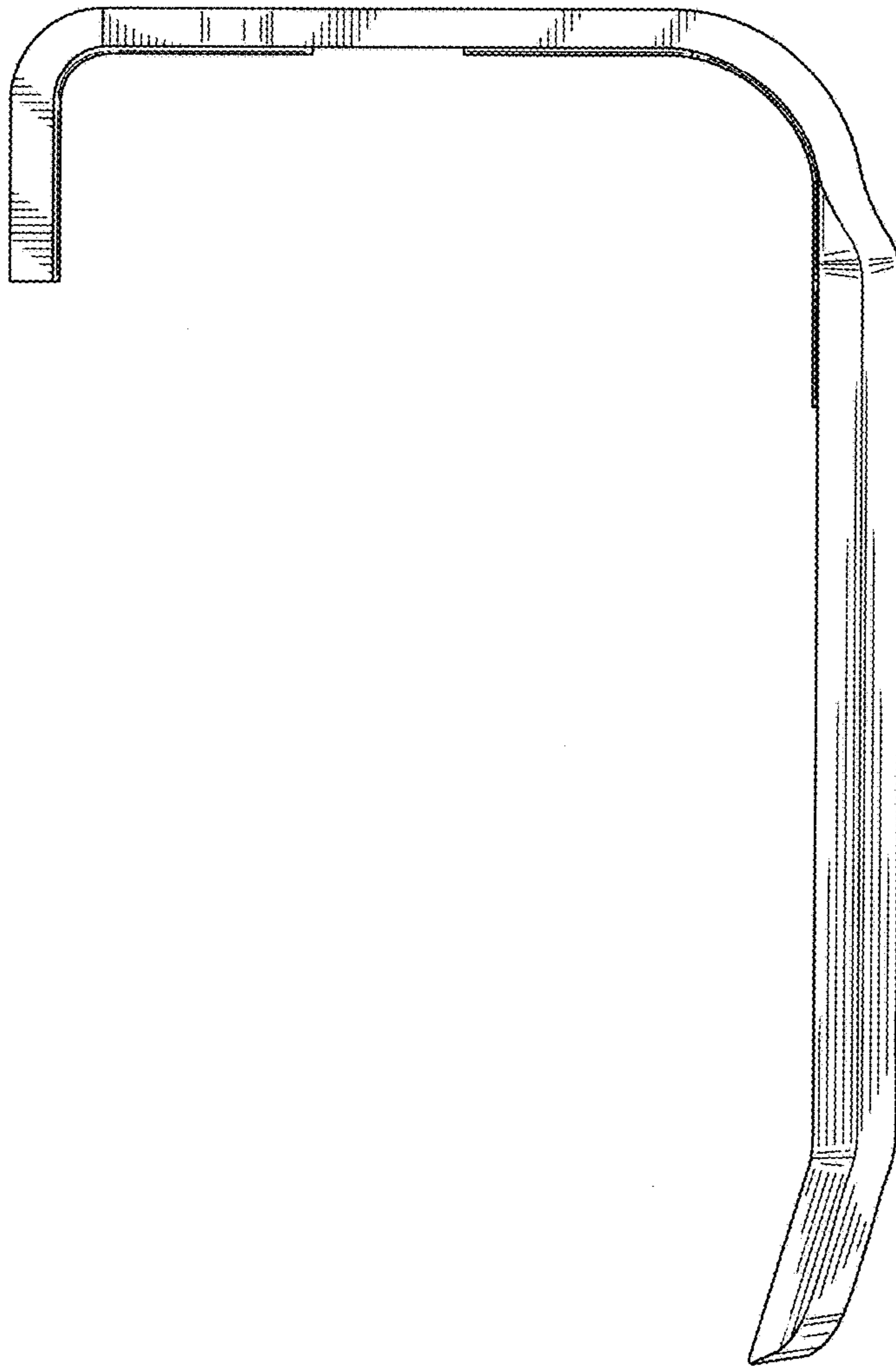


FIG. 5

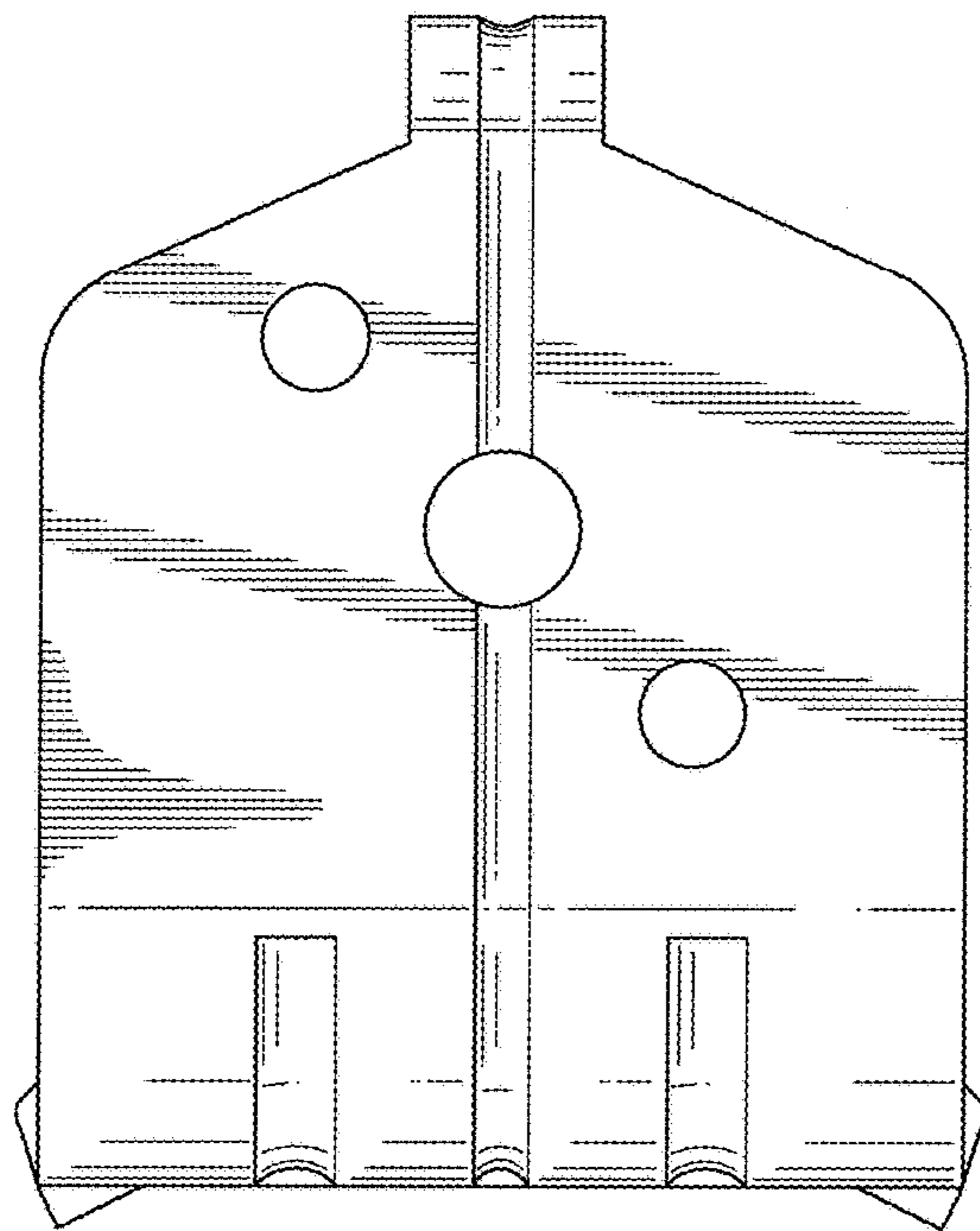


FIG. 6

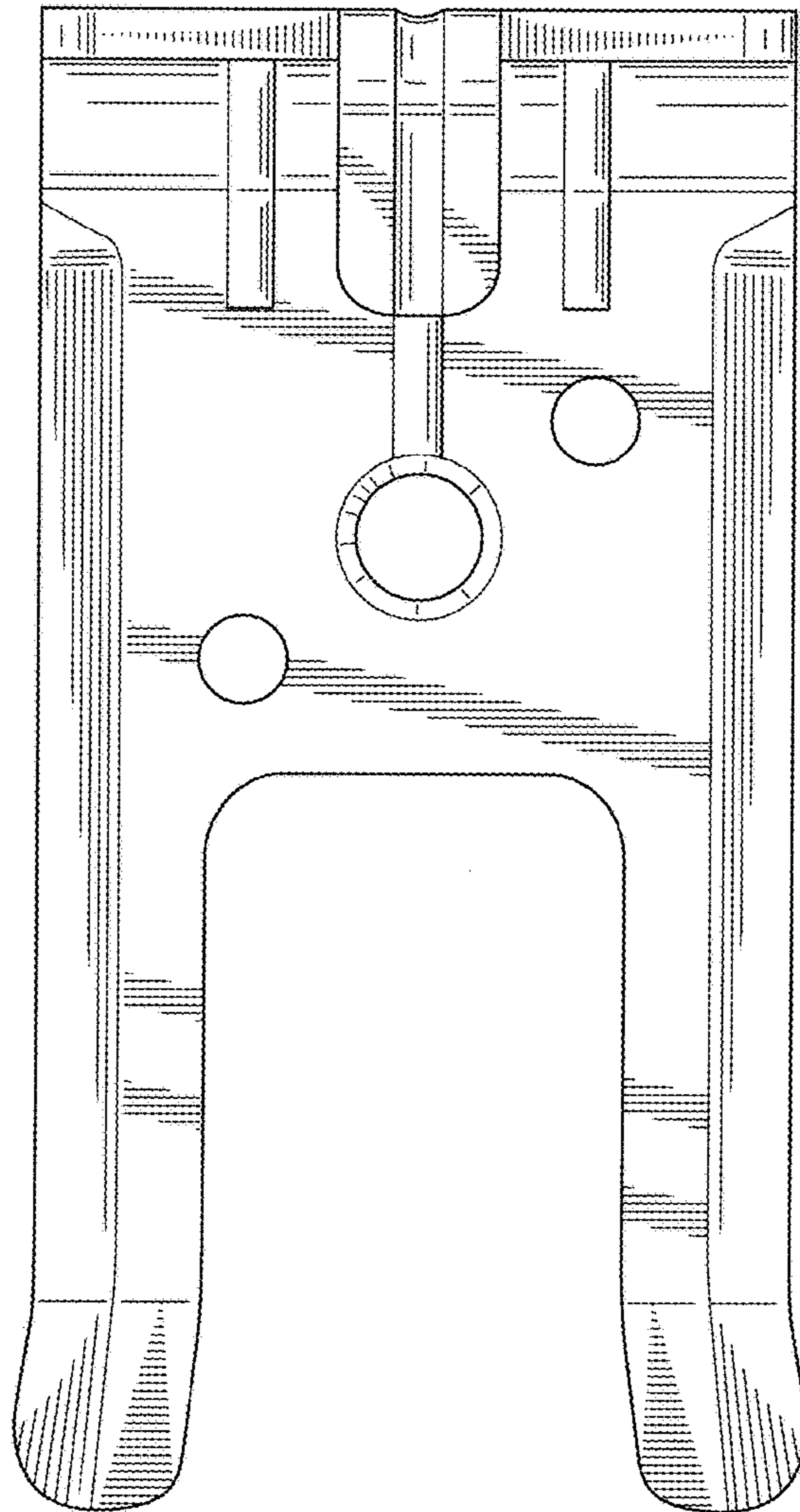


FIG. 7

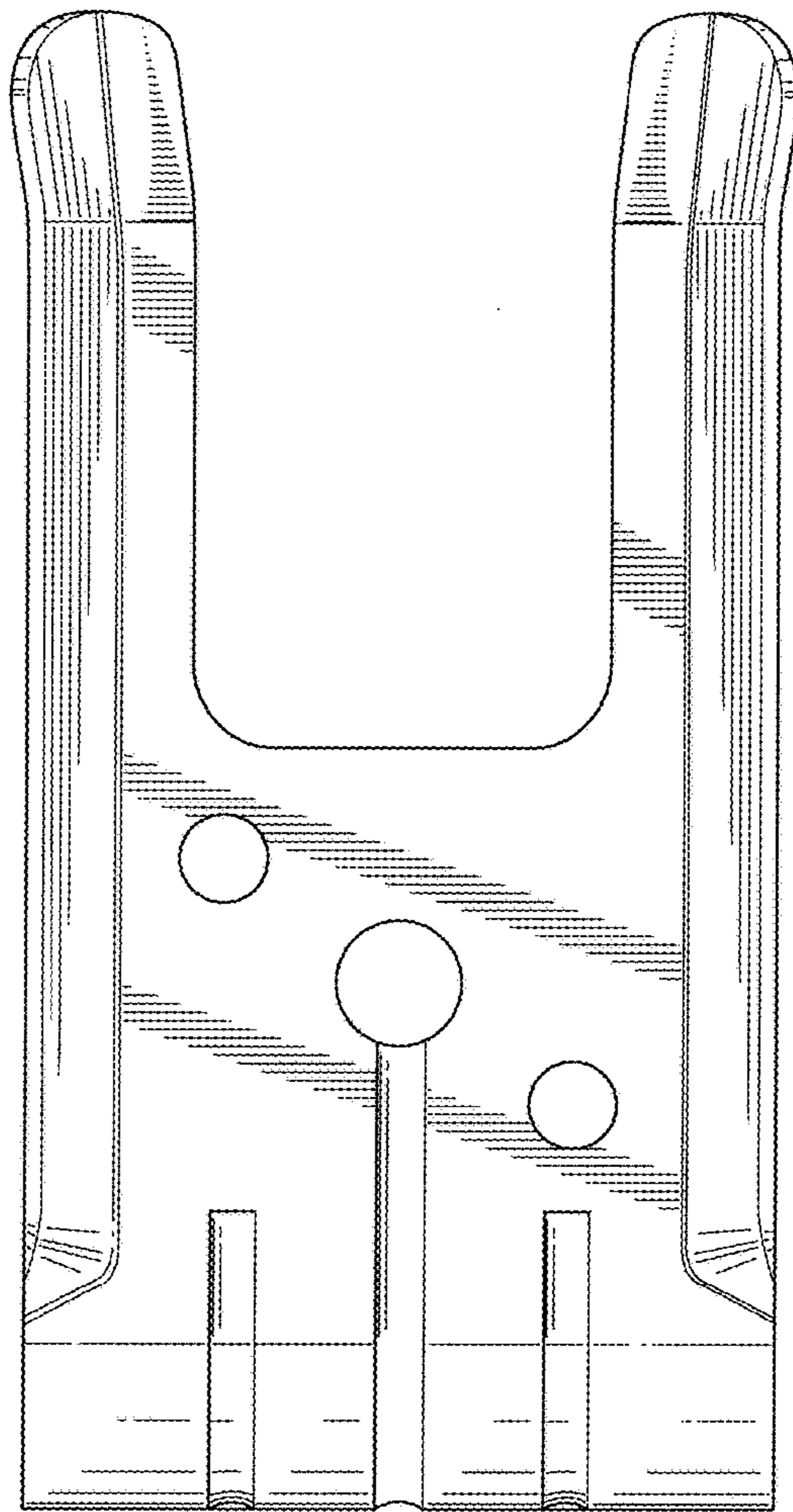


FIG. 8