



US00D858896S

(12) **United States Design Patent** (10) **Patent No.:** **US D858,896 S**
Chang (45) **Date of Patent:** **** Sep. 3, 2019**

(54) **WRIST PROTECTOR**

CPC A41D 20/00
See application file for complete search history.

(71) Applicant: **Ki Yong Chang**, Seoul (KR)

(56) **References Cited**

(72) Inventor: **Ki Yong Chang**, Seoul (KR)

U.S. PATENT DOCUMENTS

(**) Term: **15 Years**

D656,685 S * 3/2012 Best D29/120.1
D692,619 S * 10/2013 Best D29/120.1

(21) Appl. No.: **29/659,917**

* cited by examiner

(22) Filed: **Aug. 14, 2018**

Primary Examiner — Randall H Gholson
(74) *Attorney, Agent, or Firm* — Dorsey & Whitney LLP

(30) **Foreign Application Priority Data**

(57) **CLAIM**

I claim the ornamental design for a wrist protector, as shown.

Feb. 14, 2018 (KR) 30-2018-0008169

DESCRIPTION

(51) **LOC (12) Cl.** **29-02**

FIG. 1 is a front isometric view of a wrist protector.
FIG. 2 is a front elevation view of the wrist protector of FIG. 1.
FIG. 3 is a rear elevation view of the wrist protector of FIG. 1.
FIG. 4 is a left side elevation view of the wrist protector of FIG. 1.
FIG. 5 is a right side elevation view of the wrist protector of FIG. 1.
FIG. 6 is a top plan view of the wrist protector of FIG. 1; and,
FIG. 7 is a bottom plan view of the wrist protector of FIG. 1.

(52) **U.S. Cl.**

USPC **D29/120.1**

(58) **Field of Classification Search**

USPC D29/101.1, 102.1, 101.3, 101.4, 101.5,
D29/120.1, 120.2, 121.1, 121.2, 122;
D2/901; D24/190; 2/16, 20–24, 62, 267,
2/455, 461, 463, 910, 911; 602/3, 5, 6,
602/16, 23, 26, 64; 128/878, 879

1 Claim, 7 Drawing Sheets

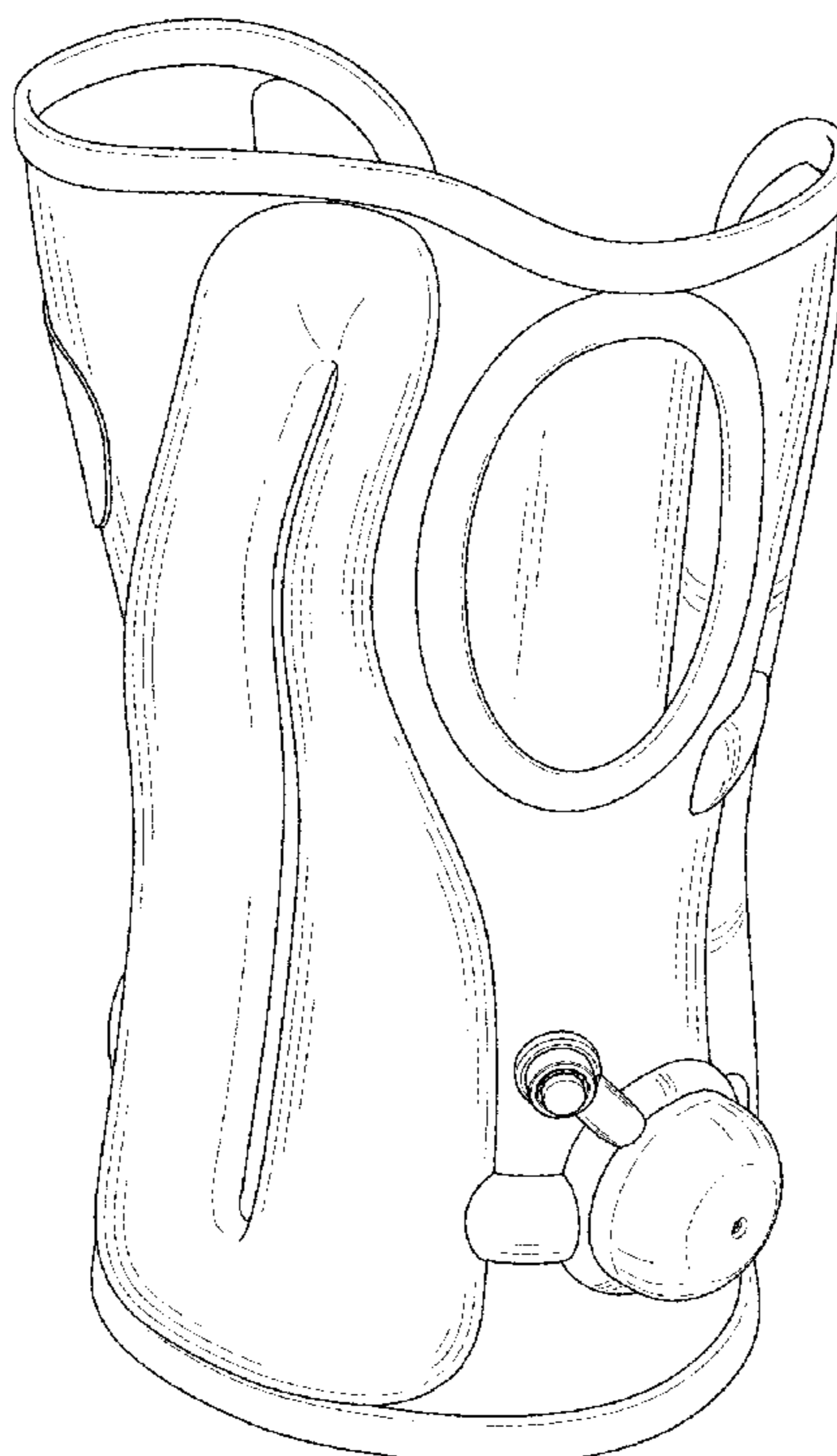


FIG. 1

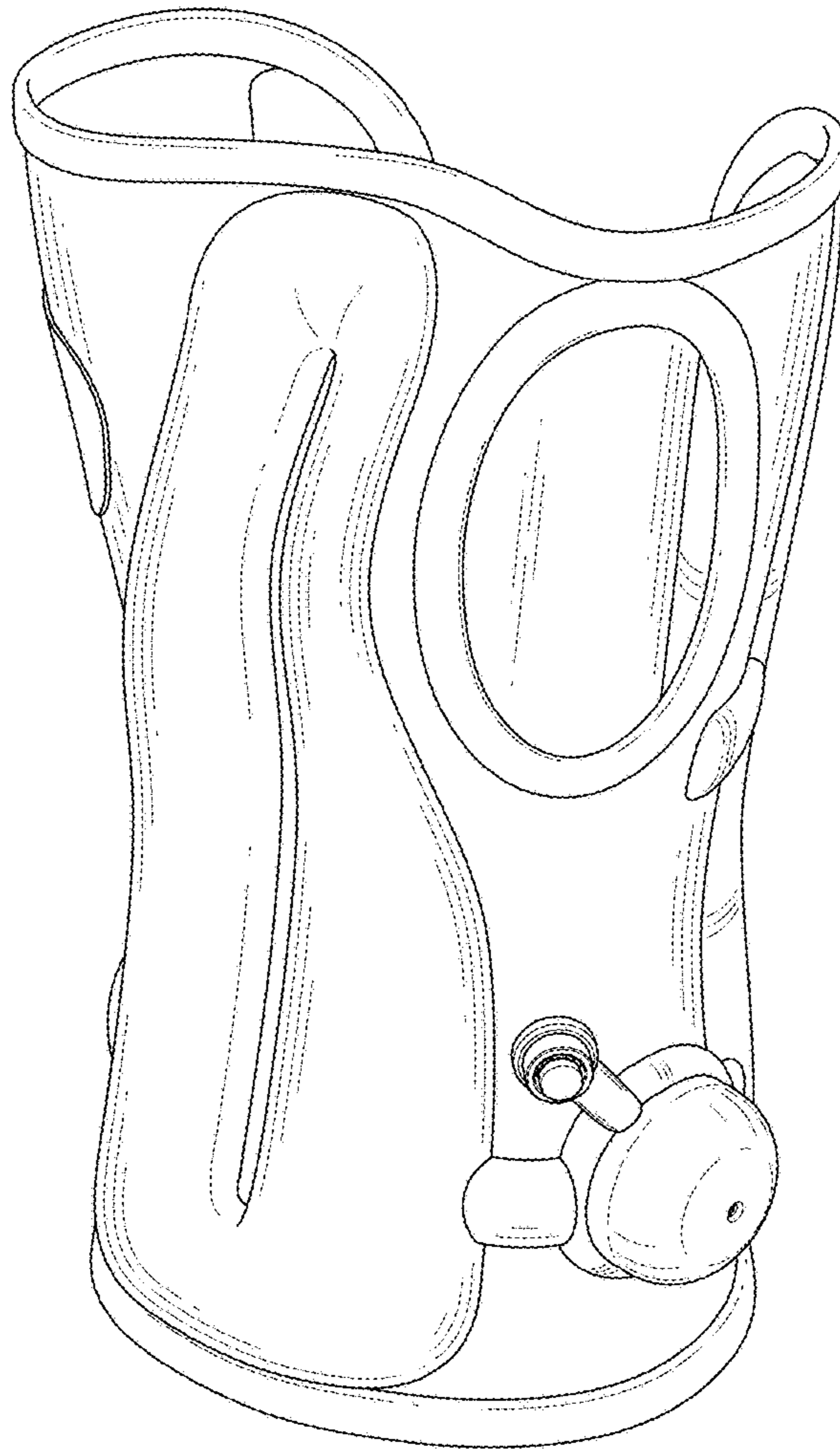


FIG. 2

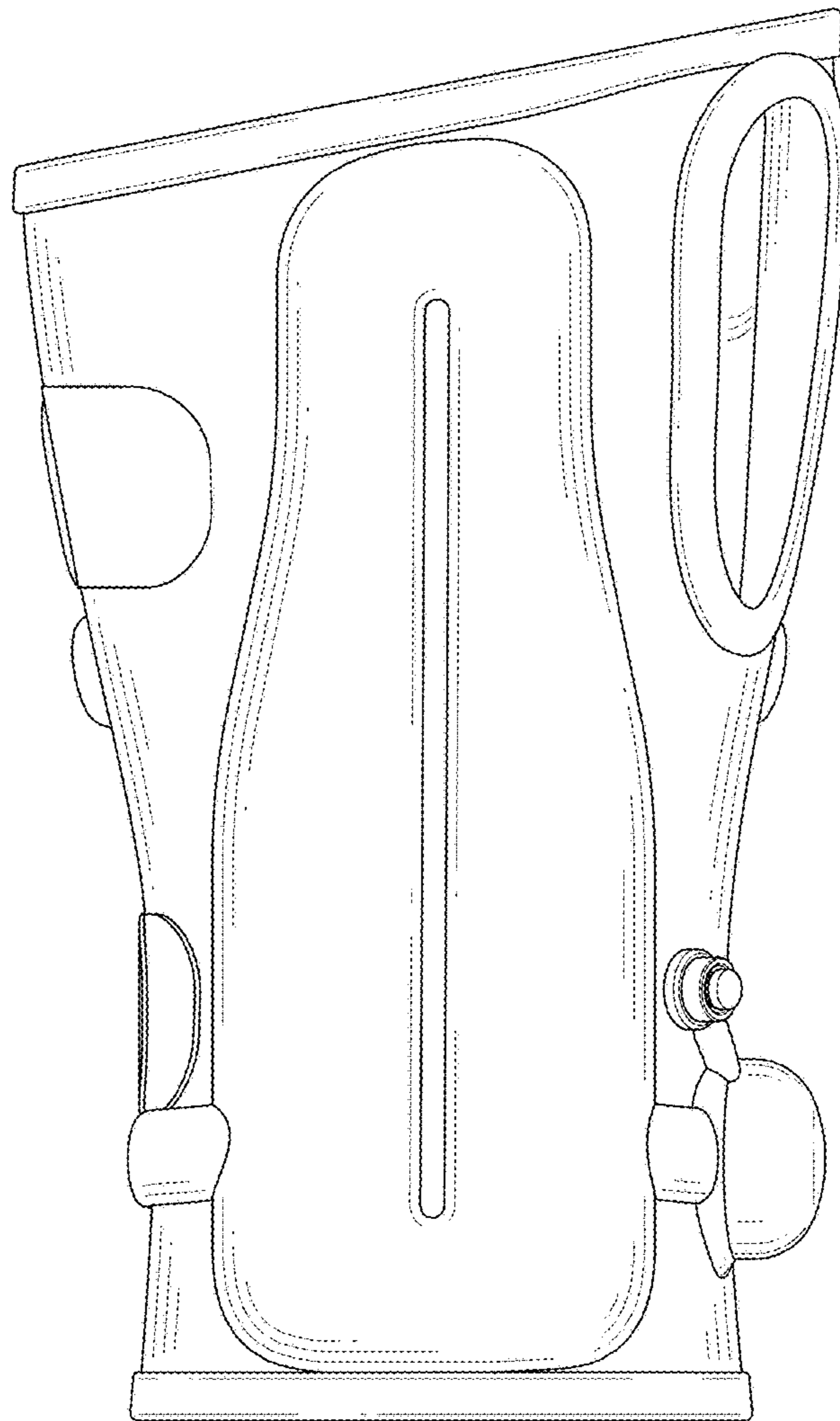


FIG. 3

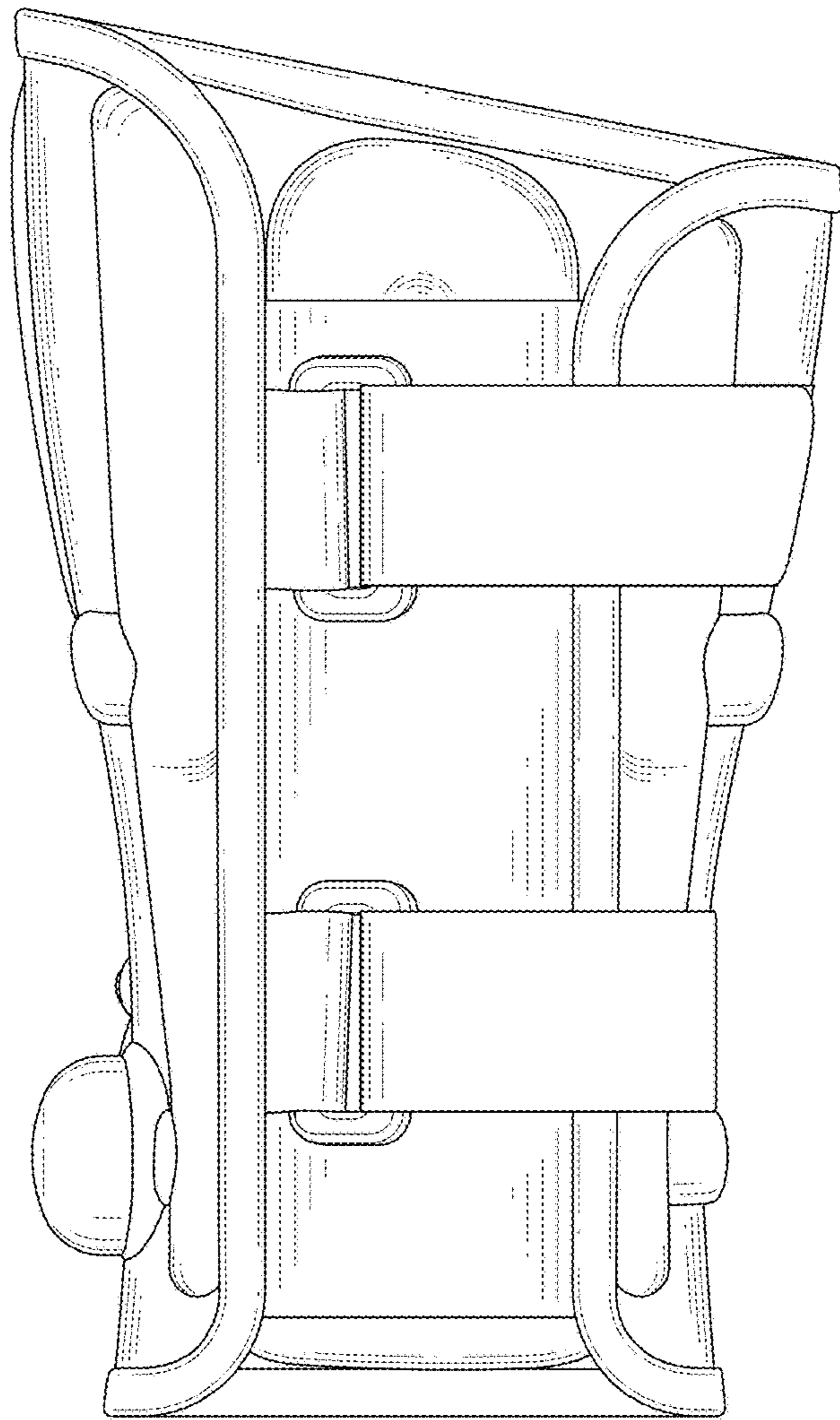


FIG. 4

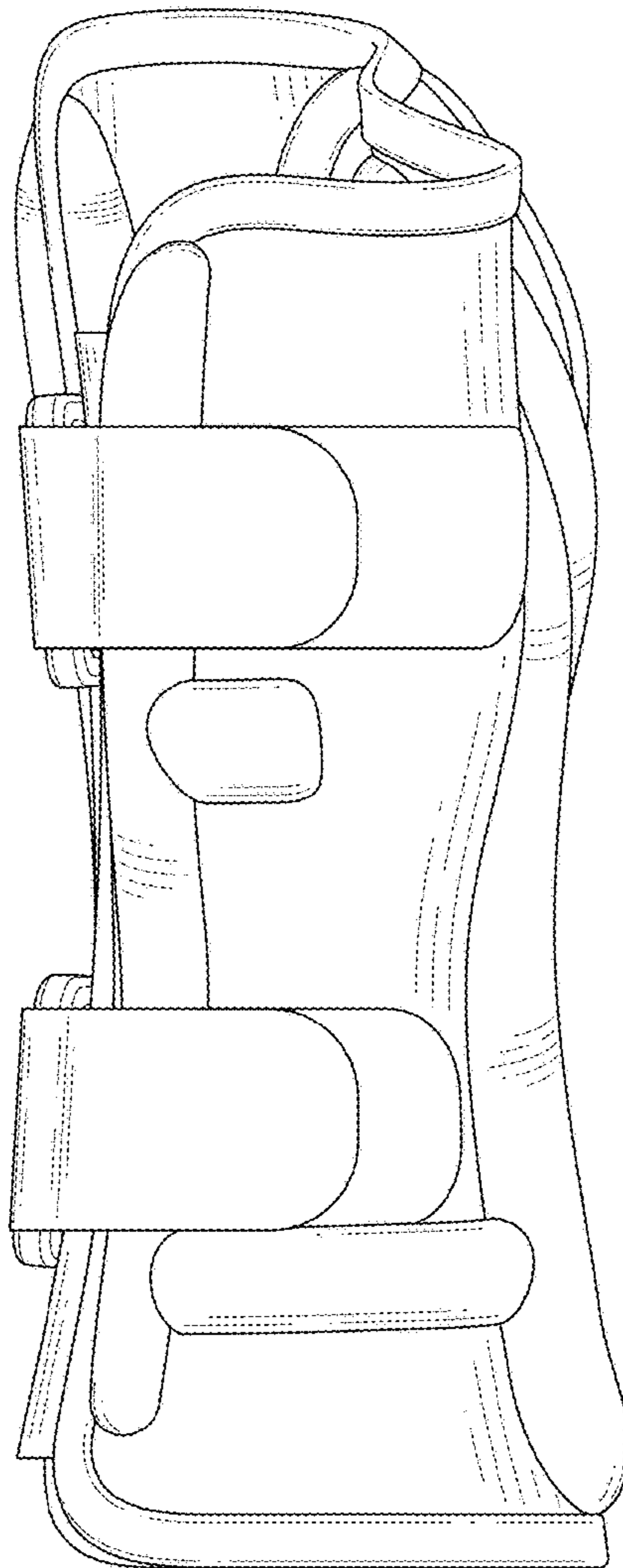


FIG. 5

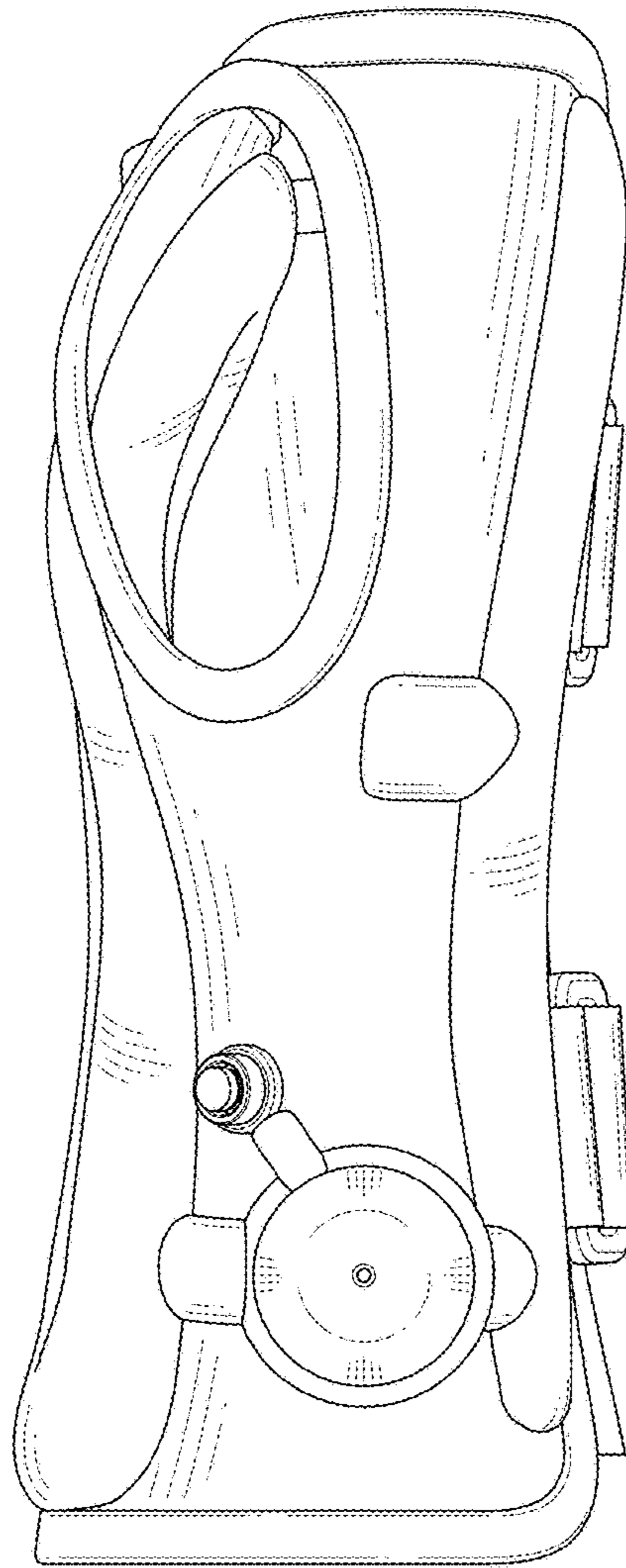


FIG. 6

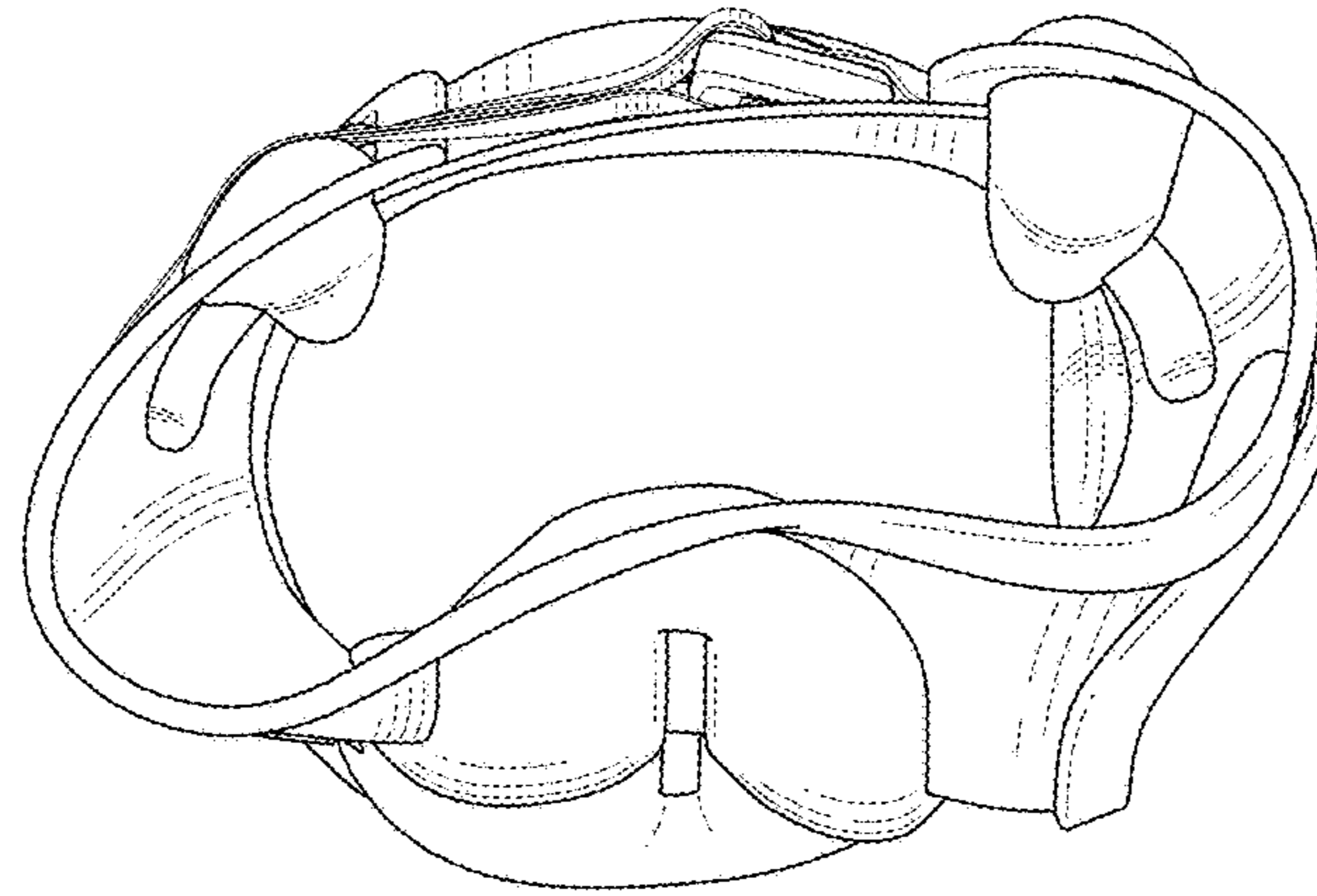


FIG. 7

