



US00D858889S

(12) **United States Design Patent** (10) **Patent No.:** **US D858,889 S**
Teller et al. (45) **Date of Patent:** **** Sep. 3, 2019**

(54) **LIP PRODUCT CONTAINER**

FOREIGN PATENT DOCUMENTS

(71) Applicant: **EOS PRODUCTS, LLC**, New York, NY (US)

EM 001710245-0003 8/2010
EM 003000363-0002 3/2016

(Continued)

(72) Inventors: **Jonathan Teller**, New York, NY (US);
Sanjiv Mehra, New York, NY (US);
Peter Waxman, New York, NY (US);
Joseph Speter, New York, NY (US);
Karim Rashid, New York, NY (US);
Bart Ruijpers, New York, NY (US);
Olivia Blechschmidt, New York, NY (US)

OTHER PUBLICATIONS

DIY Refill for the EOS Lip Balm, posted at freshpickedbeauty.com by Shannon Buck, published Jun. 17, 2014 © not listed, online, site visited Sep. 25, 2017. Available from Internet, URL: <http://www.freshpickedbeauty.com/2014/06/diy-refill-for-eos-lip-balm.html>.*

(Continued)

(73) Assignee: **EOS PRODUCTS, LLC**, New York, NY (US)

Primary Examiner — Shannon W Morgan

Assistant Examiner — Altaira J Swangin

(**) Term: **15 Years**

(74) *Attorney, Agent, or Firm* — Martin & Ferraro, LLP

(21) Appl. No.: **29/577,660**

(22) Filed: **Sep. 14, 2016**

(57) **CLAIM**

(51) **LOC (12) Cl.** **28-03**

The ornamental design for a lip product container, as shown and described.

(52) **U.S. Cl.**

USPC **D28/85**

(58) **Field of Classification Search**

USPC D28/82, 85-89, 77, 7; D9/434, 726, 432,
D9/504, 519, 529, 549, 574, 715, 725,
D9/502-503, 521, 551-552, 554, 557,
D9/564, 566, 567, 570, 600-601;
220/669, 671; 206/385, 581, 823

CPC B65D 51/245; B65D 25/005; B65D 25/00;
B65D 3/00; B65D 1/00; A45D 40/00;
A45D 40/0068

See application file for complete search history.

DESCRIPTION

FIG. 1 is a front perspective view of a lip product container in an open configuration showing our design; FIG. 2 is a front elevational view thereof; FIG. 3 is a rear elevational view thereof; FIG. 4 is a left side elevational view thereof; FIG. 5 is a right side elevational view thereof; FIG. 6 is a top plan view thereof without the top portion of the lip product container; and, FIG. 7 is a bottom plan view thereof.

The broken lines shown in the figures depict portions of the lip product container and the broken lines immediately adjacent to shaded portions of the lip product container depict boundaries that form no part of the claimed design. None of the broken lines form part of the claimed design.

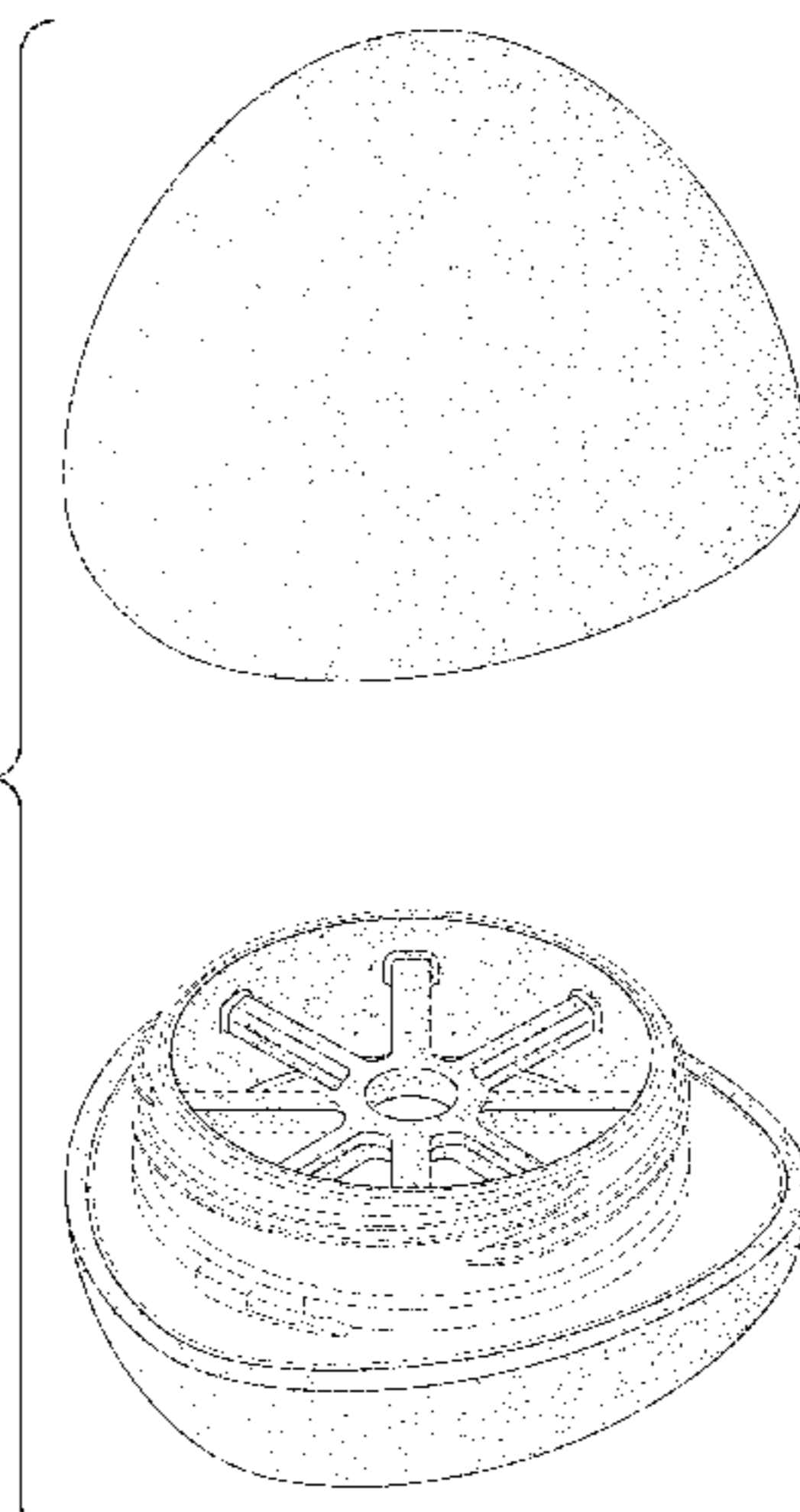
(56) **References Cited**

U.S. PATENT DOCUMENTS

75,524 A 3/1868 Chase, Jr.
225,785 A 3/1880 Beattie
1,670,315 A * 5/1928 Reutter A45D 33/006
132/305

(Continued)

1 Claim, 7 Drawing Sheets



(56)

References Cited

U.S. PATENT DOCUMENTS			
1,817,562	A *	8/1931	Hodge B65D 25/04 206/315.11
1,852,455	A	4/1932	Friedman
D112,545	S	12/1939	Younghusband
2,171,112	A	5/1940	Hoffman
2,201,467	A	5/1940	Bloom
D129,291	S	9/1941	Petzold
D130,030	S	10/1941	Meyer
D158,174	S *	4/1950	Busiel D28/76
2,568,688	A	9/1951	Sidney
2,745,642	A	5/1956	Herman
D180,109	S	4/1957	Slater
D189,888	S *	3/1961	Tapper D24/226
2,998,896	A *	9/1961	Miller B65D 11/02 220/4.26
3,085,709	A	4/1963	Klein
D200,000	S	1/1965	Richards et al.
D200,724	S *	3/1965	Grogel 220/573.1
3,292,840	A	12/1966	Schmidt
3,494,515	A	2/1970	Fattori
D219,496	S	12/1970	Lebedeff
3,741,379	A	6/1973	Kappler et al.
D228,157	S *	8/1973	Sussman D28/82
D230,954	S	3/1974	Gregorietti
3,843,120	A	10/1974	Ricci
D240,711	S	7/1976	Angleman et al.
D240,829	S	8/1976	Jones et al.
D243,585	S	3/1977	Angleman et al.
4,044,889	A	8/1977	Orentreich et al.
4,124,135	A	11/1978	Weder et al.
4,164,301	A *	8/1979	Thayer B65D 83/0454 206/534
D253,394	S	11/1979	Berghahn et al.
D255,653	S	7/1980	Lipsz
D255,990	S	7/1980	Lucas
D256,095	S	7/1980	Sandonato
4,235,557	A	11/1980	Hayes
D258,199	S	2/1981	Torongo, Jr.
4,261,468	A *	4/1981	Krebs B65D 83/0454 206/538
D261,105	S	10/1981	Schwartz
4,342,522	A	8/1982	Mackles
D266,146	S	9/1982	Morris
D272,723	S	2/1984	Baker
D273,766	S	5/1984	Lampe
D276,705	S	12/1984	Oliveri
D280,289	S	8/1985	Aldrich et al.
D286,616	S	11/1986	Becker
D291,991	S *	9/1987	Lee D14/147
4,728,210	A	3/1988	Barish et al.
4,765,501	A	8/1988	Kao
D302,384	S	7/1989	Holewinski
D303,581	S	9/1989	Bakic
D305,262	S *	12/1989	Nichols D24/115
D310,487	S *	9/1990	Genaro D9/521
D317,118	S	5/1991	Crawford
5,025,817	A	6/1991	Wen
5,061,102	A	10/1991	Rennie
D321,319	S	11/1991	Giuseppe
5,092,700	A	3/1992	Susini et al.
5,150,808	A	9/1992	Hamilton
D333,780	S	3/1993	Jones et al.
D333,784	S *	3/1993	Goodman D3/302
D339,986	S	10/1993	Garouste et al.
D342,188	S	12/1993	Chen
D343,699	S	1/1994	Yang
5,287,979	A	2/1994	Bourgeois
D346,112	S	4/1994	Alcinder
D349,976	S	8/1994	Connell
D354,441	S *	1/1995	Fontanella D9/504
5,398,706	A	3/1995	Epstein
D357,584	S	4/1995	Swingler
D368,220	S	3/1996	Bicknell et al.
5,496,122	A	3/1996	Fattori
D368,427	S	4/1996	Bicknell et al.
D375,258	S	11/1996	Weder et al.
D377,757	S	2/1997	Bertolini et al.
D383,972	S *	9/1997	Weiss D9/521
D387,662	S	12/1997	Bright et al.
D389,409	S	1/1998	Tucker
D393,023	S	3/1998	Martucci
D393,421	S	4/1998	Kovens
5,738,123	A	4/1998	Szekely
5,743,404	A	4/1998	Melashenko et al.
5,792,496	A	8/1998	Fekete
D398,533	S	9/1998	Kotyuk et al.
5,799,667	A	9/1998	Szekely
5,808,215	A	9/1998	Kralik et al.
5,813,784	A	9/1998	Durliat
D406,764	S	3/1999	Bright et al.
5,884,637	A	3/1999	Joulia
D408,738	S	4/1999	Wu
5,897,263	A	4/1999	Fattori
5,925,391	A	7/1999	Whetstone, Jr.
5,988,424	A	11/1999	Kovens
6,010,264	A	1/2000	Scuderi et al.
D421,216	S	2/2000	Abrams et al.
D422,904	S	4/2000	Lepsius et al.
6,050,438	A	4/2000	Kovens et al.
6,099,872	A	8/2000	Whetstone, Jr.
D434,978	S	12/2000	Thill
6,193,427	B1	2/2001	Benguigui
6,237,788	B1 *	5/2001	Shuen A61L 9/12 206/457
D443,726	S	6/2001	Faillant-Dumas
6,283,658	B1	9/2001	Estevez et al.
6,391,972	B1	5/2002	Hatakeyama
D458,835	S	6/2002	Delli-Venneri
D459,216	S	6/2002	Heijdenrijk
D465,149	S	11/2002	Bennett et al.
D465,614	S	11/2002	Petit
D465,733	S	11/2002	Hill
D466,252	S	11/2002	Yu
D471,667	S *	3/2003	Angeletta D28/7
D472,803	S	4/2003	Saunders
D475,921	S *	6/2003	Smith D9/444
D476,111	S	6/2003	Karafotas
D476,884	S	7/2003	Miranda
D478,681	S *	8/2003	Newcomb D26/94
6,626,313	B2	9/2003	Herbstreit et al.
D480,633	S	10/2003	Miranda
D484,585	S	12/2003	Upson
D484,646	S	12/2003	Ditrichstein
6,688,795	B1	2/2004	Jacob et al.
D489,148	S	4/2004	Sheng
6,773,187	B2	8/2004	Gueret
D504,979	S	5/2005	Lai
D506,850	S *	6/2005	Angeletta D28/7
D507,177	S	7/2005	Weissman
D509,890	S	9/2005	Stavale
D510,134	S *	9/2005	Lablaine D23/366
D510,991	S	10/2005	Harbutt
D522,642	S	6/2006	Matsuda
D534,076	S	12/2006	Green et al.
D534,423	S	1/2007	Tanner
D536,081	S	1/2007	Steinel
D540,663	S	4/2007	Tanner
D543,244	S	5/2007	Tsuruha
D552,054	S	10/2007	Pena
D552,473	S	10/2007	Simkin
D554,529	S	11/2007	Green
D561,608	S	2/2008	Hogben
D562,152	S	2/2008	Beam et al.
D562,699	S	2/2008	Green
D563,593	S	3/2008	Audrito
D564,900	S *	3/2008	Green D9/504
D573,026	S	7/2008	Tsai
D577,583	S	9/2008	Porter et al.
D577,584	S	9/2008	Porter et al.
D578,393	S	10/2008	Canamasas Puigbo
D582,291	S *	12/2008	de Baschmakoff D9/560
D585,129	S	1/2009	Huang
7,503,331	B2 *	3/2009	Eng A45D 33/025 132/294

(56)

References Cited

U.S. PATENT DOCUMENTS

D592,064 S	5/2009	Kilany	
D602,663 S	10/2009	Pennington	
D608,084 S *	1/2010	Anson	D3/203.3
D608,826 S	1/2010	Laguatan et al.	
D610,458 S	2/2010	Martin	
D611,587 S	3/2010	Dineen	
D612,245 S	3/2010	Canamasas Puigbo	
7,699,062 B2	4/2010	Sasaki	
D615,818 S	5/2010	Jansen	
D616,738 S	6/2010	Andre et al.	
D617,439 S	6/2010	Valentino	
D619,896 S	7/2010	Iwazu et al.	
D625,469 S	10/2010	Dubitsky et al.	
D630,514 S	1/2011	Niikura et al.	
D631,204 S	1/2011	Dubitsky et al.	
D632,173 S *	2/2011	Makita	D9/438
D633,292 S *	3/2011	Anson	D3/203.3
D637,806 S *	5/2011	Anson	D3/203.3
D638,880 S	5/2011	Rashid	
D643,879 S	8/2011	Rashid	
D644,939 S	9/2011	Teller	
D647,189 S *	10/2011	Mochizuki	D23/366
D651,903 S	1/2012	Teller	
D653,547 S *	2/2012	Canuto	D9/519
D655,168 S	3/2012	In	
D660,451 S	5/2012	Matsuura	
D668,298 S	10/2012	Rashid	
D669,232 S	10/2012	Chung et al.	
8,388,252 B2	3/2013	Thiebaut	
D680,439 S	4/2013	Reetz	
D681,118 S	4/2013	Mueller et al.	
D681,278 S	4/2013	Schlatter	
8,444,337 B2	5/2013	Teller et al.	
8,651,308 B1 *	2/2014	Sung	A45D 40/00 206/457
8,747,002 B2	6/2014	Izkovitz	
D708,790 S	7/2014	Schlatter	
D709,652 S	7/2014	Teller	
D710,544 S	8/2014	Shen	
D713,247 S *	9/2014	Webster	D9/438
8,844,720 B2	9/2014	Lantinen	
8,851,088 B2 *	10/2014	Dibnah	A45D 26/0014 132/294
D717,038 S *	11/2014	Lee	D3/203.3
D726,028 S	4/2015	Thompson	
D731,180 S	6/2015	Neuhaus	
D732,341 S	6/2015	Matharu	
D735,413 S	7/2015	Smith	
D735,415 S	7/2015	Thompson	
D737,136 S	8/2015	Lam	
D738,028 S	9/2015	Wu	
D740,493 S *	10/2015	David	D28/89
D742,593 S	11/2015	Corey	
D746,046 S *	12/2015	Lee	D3/203.3
D747,621 S	1/2016	Amerson	
9,232,844 B2	1/2016	Thompson	
D748,484 S *	2/2016	Lavigne	D9/435
D748,976 S	2/2016	Mitchell	
D755,637 S	5/2016	Wetton et al.	
D758,867 S *	6/2016	Tsai	D28/89
D759,897 S *	6/2016	Eberlein	D28/82
D760,527 S	7/2016	Jones	
D762,329 S	7/2016	Teller et al.	
9,380,860 B1	7/2016	Taylor	
D763,102 S	8/2016	Pires	
D763,512 S	8/2016	Teller et al.	
D764,105 S	8/2016	Teller et al.	
D764,106 S	8/2016	Teller	
D764,107 S	8/2016	Teller et al.	
D764,108 S	8/2016	Teller et al.	
D764,109 S	8/2016	Teller et al.	
D764,110 S	8/2016	Teller	
D764,111 S	8/2016	Teller et al.	
D764,112 S	8/2016	Teller et al.	
D764,113 S	8/2016	Teller et al.	
D764,114 S	8/2016	Teller et al.	
D764,296 S *	8/2016	Jung	D9/444
D764,710 S	8/2016	Teller	
D764,711 S	8/2016	Teller et al.	
D764,712 S	8/2016	Teller et al.	
D764,713 S	8/2016	Teller	
D764,714 S	8/2016	Teller et al.	
D765,574 S *	9/2016	Hale, Jr.	D12/211
D766,512 S	9/2016	Teller et al.	
D768,936 S	10/2016	Yoshida	
D768,937 S	10/2016	Yoshida	
D769,533 S	10/2016	Teller et al.	
D770,353 S *	11/2016	Hale, Jr.	D12/211
D770,685 S	11/2016	Teller et al.	
D771,430 S *	11/2016	Yip	D7/354
D771,873 S	11/2016	Teller	
D772,481 S	11/2016	Paquet	
D777,847 S	1/2017	Rost	
D777,979 S	1/2017	Lozano	
D777,982 S *	1/2017	Son	D28/77
D777,983 S	1/2017	Teller et al.	
D778,502 S	2/2017	Teller	
D779,137 S	2/2017	Taylor	
D779,329 S *	2/2017	Buogo	D9/519
D781,151 S *	3/2017	Lerman	D9/500
9,585,458 B2	3/2017	Teller et al.	
D787,338 S	5/2017	Dorsinville	
D788,372 S *	5/2017	Reed	D28/82
D788,586 S	6/2017	Molinari	
D789,241 S	6/2017	Cao	
D791,608 S	7/2017	Dorsinville	
D792,829 S *	7/2017	Kim	D12/211
D793,236 S *	8/2017	Santos	D9/454
D797,190 S	9/2017	Laemle	
D797,553 S	9/2017	Huang	
D804,099 S	11/2017	Teller et al.	
D808,080 S	1/2018	Corey et al.	
D813,687 S *	3/2018	Ferreira	D9/741
D815,950 S	4/2018	Zhang	
D817,174 S	5/2018	Weinrich	
D818,648 S	5/2018	Cleij	
D819,191 S	5/2018	Atabaki et al.	
9,994,384 B2	6/2018	Glass	
D825,334 S	8/2018	Ristich	
D825,858 S	8/2018	Teller et al.	
D825,861 S	8/2018	Teller et al.	
D827,205 S	8/2018	Teller et al.	
D827,935 S	9/2018	Teller et al.	
D830,638 S	10/2018	Teller et al.	
D841,252 S *	2/2019	Teller	D28/85
D841,890 S *	2/2019	McGraw	D28/87
2002/0003983 A1	1/2002	Gueret	
2002/0008105 A1	1/2002	Herbstreit et al.	
2002/0033397 A1	3/2002	Henson	
2003/0077102 A1	4/2003	Bourjal	
2003/0161851 A1	8/2003	Breha, III et al.	
2004/0005186 A1	1/2004	Ueda et al.	
2006/0081721 A1	4/2006	Caserta	
2006/0201838 A1	9/2006	Sasaki	
2006/0254945 A1 *	11/2006	Green	A45D 40/0068 206/457
2007/0017915 A1	1/2007	Weder et al.	
2007/0108092 A1 *	5/2007	Minuto	B65D 11/02 206/581
2008/0213028 A1	9/2008	Hosokawa et al.	
2009/0022541 A1	1/2009	De LaForce	
2009/0028625 A1	1/2009	Bonneyrat	
2010/0101600 A1	4/2010	Kang	
2011/0024316 A1 *	2/2011	Ginsburg	A45D 40/0068 206/385
2011/0135377 A1	6/2011	Teller	
2011/0226187 A1 *	9/2011	Bertsch	A01K 5/0114 119/61.55
2011/0253731 A1 *	10/2011	Smith	B65D 25/22 220/751
2013/0302080 A1	11/2013	Teller et al.	
2013/0322950 A1	12/2013	Teller	
2013/0330427 A1	12/2013	Smigel et al.	
2013/0341832 A1	12/2013	Teller et al.	

(56)

References Cited

U.S. PATENT DOCUMENTS

2013/0341833	A1	12/2013	Teller et al.	
2014/0013712	A1	1/2014	Teller	
2014/0105666	A1	4/2014	Teller	
2014/0138273	A1	5/2014	Glass	
2015/0037082	A1	2/2015	Pires et al.	
2015/0096919	A1	4/2015	Thompson	
2015/0122697	A1*	5/2015	Shen	A45D 33/00 206/581
2015/0182004	A1	7/2015	Teller et al.	
2016/0262522	A1	9/2016	Teller et al.	
2016/0295993	A1	10/2016	Wojcik	
2017/0013936	A1	1/2017	Schlatter	
2017/0150802	A1	6/2017	Parlionas	
2017/0325568	A1	11/2017	Teller et al.	
2018/0044077	A1*	2/2018	Teller	B65D 51/245
2018/0085767	A1*	3/2018	Kang	B05B 11/0044
2018/0206614	A1	7/2018	Lushefski	
2018/0255906	A1	9/2018	Delia et al.	
2018/0296460	A1*	10/2018	Wong	A61K 8/88
2018/0310690	A1*	11/2018	Wojcik	A45D 40/222
2018/0317628	A1	11/2018	Villarreal et al.	

FOREIGN PATENT DOCUMENTS

EP	0433150	6/1991
EP	0628393	4/1994
EP	000031679-0001	11/2007
EP	003545870-000	3/2017
ES	0505578-01	11/2007
FR	2563711	5/1984
FR	2726443	3/1995
FR	2766339	7/1997
FR	040004-001	2/2007
FR	2925263	12/2007
GB	446424	10/1935
GB	2162822	5/1985
GB	2007213	5/1990
JP	1136041	3/2002
JP	455237-001	6/2003
JP	1175238	6/2003
JP	2004321410	11/2004
JP	2006204821	9/2006
JP	3914892	2/2007
KR	20090006972	1/2009
KR	300743262-0000	5/2014
KR	300913854-0000	* 7/2017
TR	092079-0003	11/2016
TW	D154118	6/2013
TW	D174258	3/2016
WO	WO2007/007288	1/2007

OTHER PUBLICATIONS

Lip Balm, EOS, posted at amourtera.com by Kelly Armetta, published Jun. 25, 2013 © 2018 Amourtera, online, site visited Mar. 23, 2018. Available from Internet, URL: <http://www.amourtera.com/2013/06/reuse-your-eos-lip-balm.html> (Year: 2013).*

5 Minute Lip Balm with EOS Container, posted at youtube.com by WhatsUpMoms, published Apr. 17, 2015 © Standard YouTube License, online, site visited Sep. 25, 2017. Available from Internet, URL: <https://www.youtube.com/watch?v=p3aGGwh>. Search Report dated Oct. 27, 2017 from ROC (Taiwan) Application No. 106301253.

U.S. Appl. No. 29/411,931, filed Jan. 2012, Teller.
 U.S. Appl. No. 29/411,933, filed Jan. 2012, Teller.
 U.S. Appl. No. 13/891,264, filed May 2013, Teller.
 U.S. Appl. No. 14/973,717, filed Dec. 2015, Teller.
 U.S. Appl. No. 14/988,740, filed Jan. 2016, Teller.
 U.S. Appl. No. 15/016,257, filed Feb. 2016, Teller.
 U.S. Appl. No. 29/569,183, filed Jun. 2016, Teller.
 U.S. Appl. No. 29/569,184, filed Jun. 2016, Teller.
 U.S. Appl. No. 29/569,185, filed Jun. 2016, Teller.

U.S. Appl. No. 29/569,186, filed Jun. 2016, Teller et al.
 U.S. Appl. No. 29/569,187, filed Jun. 2016, Dubitsky et al.
 U.S. Appl. No. 29/573,625, filed Aug. 2016, Teller et al.
 U.S. Appl. No. 29/573,688, filed Aug. 2016, Teller et al.
 U.S. Appl. No. 29/573,703, filed Aug. 2016, Teller et al.
 U.S. Appl. No. 29/573,704, filed Aug. 2016, Teller et al.
 U.S. Appl. No. 29/573,710, filed Aug. 2016, Teller et al.
 U.S. Appl. No. 29/573,712, filed Aug. 2016, Teller et al.
 U.S. Appl. No. 29/573,717, filed Aug. 2016, Teller et al.
 U.S. Appl. No. 29/573,719, filed Aug. 2016, Teller et al.
 U.S. Appl. No. 29/573,721, filed Aug. 2016, Teller et al.
 U.S. Appl. No. 29/573,723, filed Aug. 2016, Teller et al.
 U.S. Appl. No. 29/573,726, filed Aug. 2016, Teller et al.
 U.S. Appl. No. 15/232,450, filed Aug. 2016, Teller et al.
 U.S. Appl. No. 29/577,625, filed Sep. 2016, Teller et al.
 U.S. Appl. No. 29/577,649, filed Sep. 2016, Teller et al.
 U.S. Appl. No. 29/577,656, filed Sep. 2016, Teller et al.
 U.S. Appl. No. 29/577,663, filed Sep. 2016, Teller et al.
 U.S. Appl. No. 29/577,666, filed Sep. 2016, Teller et al.
 U.S. Appl. No. 29/593,433, filed Feb. 2017, Teller et al.
 U.S. Appl. No. 29/593,445, filed Feb. 2017, Teller et al.
 U.S. Appl. No. 29/593,450, filed Feb. 2017, Teller et al.
 U.S. Appl. No. 29/593,453, filed Feb. 2017, Teller et al.
 U.S. Appl. No. 29/593,454, filed Feb. 2017, Teller et al.
 U.S. Appl. No. 29/593,456, filed Feb. 2017, Teller et al.
 U.S. Appl. No. 15/487,057, filed Apr. 2017, Teller et al.
 U.S. Appl. No. 29/600,564, filed Apr. 2017, Teller et al.
 U.S. Appl. No. 29/500,571, filed Apr. 2017, Teller et al.
 Born Pretty Store, "1Pc Pro Powder Puff Beauty Cute Egg Shape Sponge Make-up Foundation Makeup (Random Color)", Accessed Nov. 14, 2016. (<http://www.bornprettystore.com/powder-puff-beauty-cute-shape-sponge-make-foundation-makeuprandom-color-p-20027.html>).

Born Pretty Store, "50Pcs/set Dry Wet Amphibious Sponge Powder Puff Round Rectangle Puff Beauty Makeup Tool", Accessed Nov. 14, 2016. (<http://www.bornprettystore.com/50pcsset-amphibious-sponge-powder-puff-round-rectangle-puff-beauty-makeup-tool-p-34825.html>).

EP 2509461 Observations by Third Parties; Jun. 9, 2015.
 Third Party Observations in Application No. EP20100836463; Jun. 15, 2015.
 Letter from Oralab's Counsel regarding ITC Case; Jul. 20, 2015.
 EP 2509461 Observations by Third Parties; Jan. 29, 2016.
 EP 2509461 Observations by Third Parties; Jun. 30, 2016.
 Lancome Baume Baiser (date unclear—for purposos of examination—please consider as prior art).
 Letter from John L. Welsh enclosing Draft IPR Petition; Jul. 27, 2015.
 Webpage from www.amazon.com showing "Lancome Baume Baiser Hydrating Balm Sensual Massage for Lips" product and images (3 pages).
 Webpage <http://www.musingsofamuse.com/2009/10/beauty-on-a-budget-eos-lip-b-alm-review.html>, Oct. 1, 2009.
 Jackson, Junkie Obsession: LancA' me's Baume Baiser, Aug. 13, 2007.
 Refill for the EOS Lip Balm, posted at Fresh-Picked Beauty, published Jun. 17, 2014.
 Egg Pore, Tony Moly Egg Pore Blackhead Steam Balm, posted on youtube.com by Rachel Ann, published Dec. 6, 2015 Copyright Standard YouTube License, online, site visited Apr. 26, 2018. Available from Internet, URL: <https://www.youtube.com/watch?v=x5Atq8pptiQ> (Year: 2015).
 Egg Pore Balm, Tony Moly, posted at thegloss.com, posted by Heather Cichowski, published Jan. 26, 2016 Copyright 2015 Defy Media, onine, site visited Apr. 26, 2018. Available from Internet, URL: <http://thegloss.com-beauty-best-egg-based-skin-care-korean-products> (Year: 2016).
 volleysparkleblog, "Well at Walgreens Watermelon Lip Balm / Review", Posted Feb. 18, 2014, Accessed Apr. 4, 2017. (<http://volleysparkle.weebly.com/makeup/wall-at-walgreens-watermelon-lip-balm-review>).

* cited by examiner

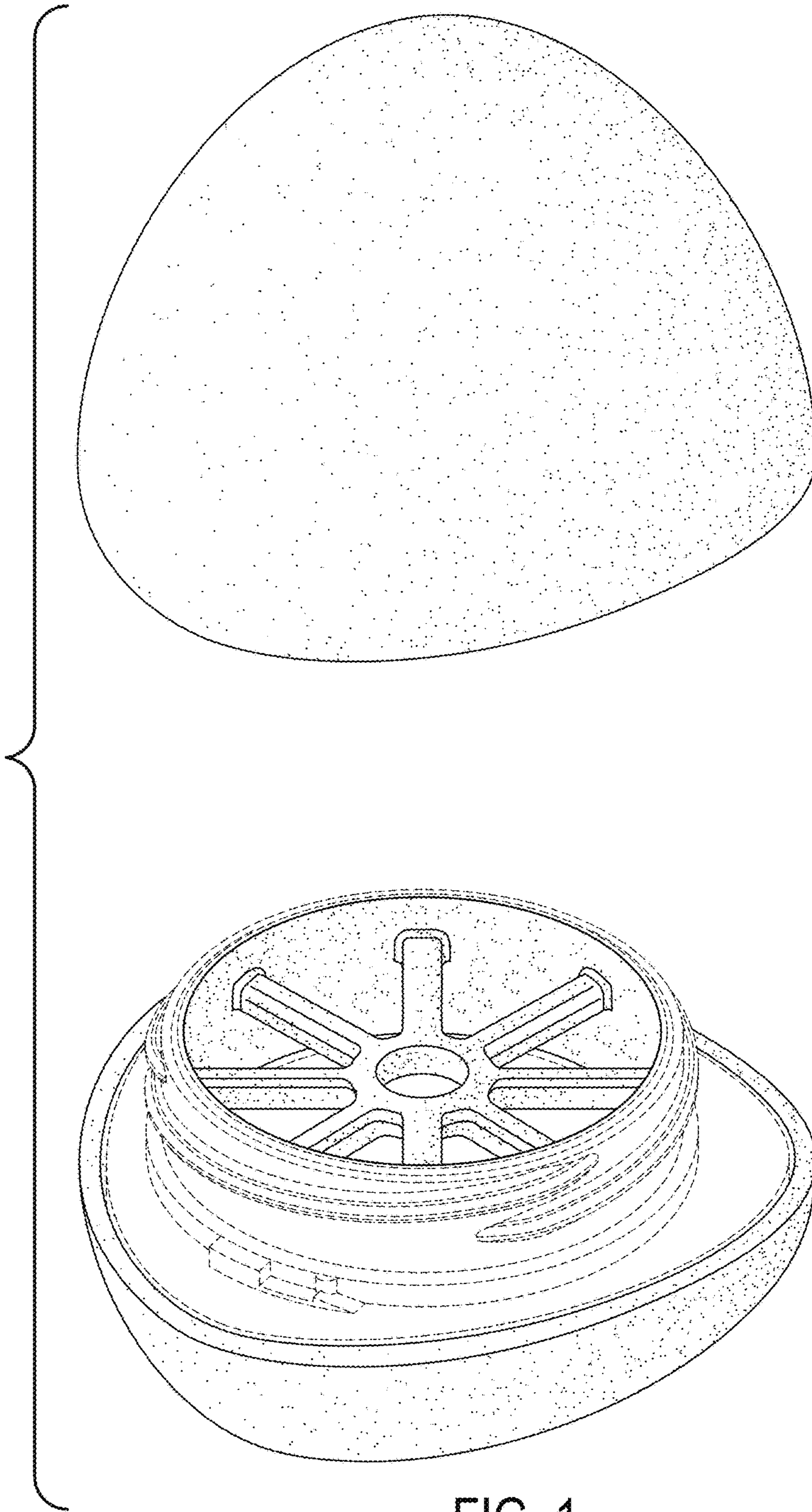


FIG. 1

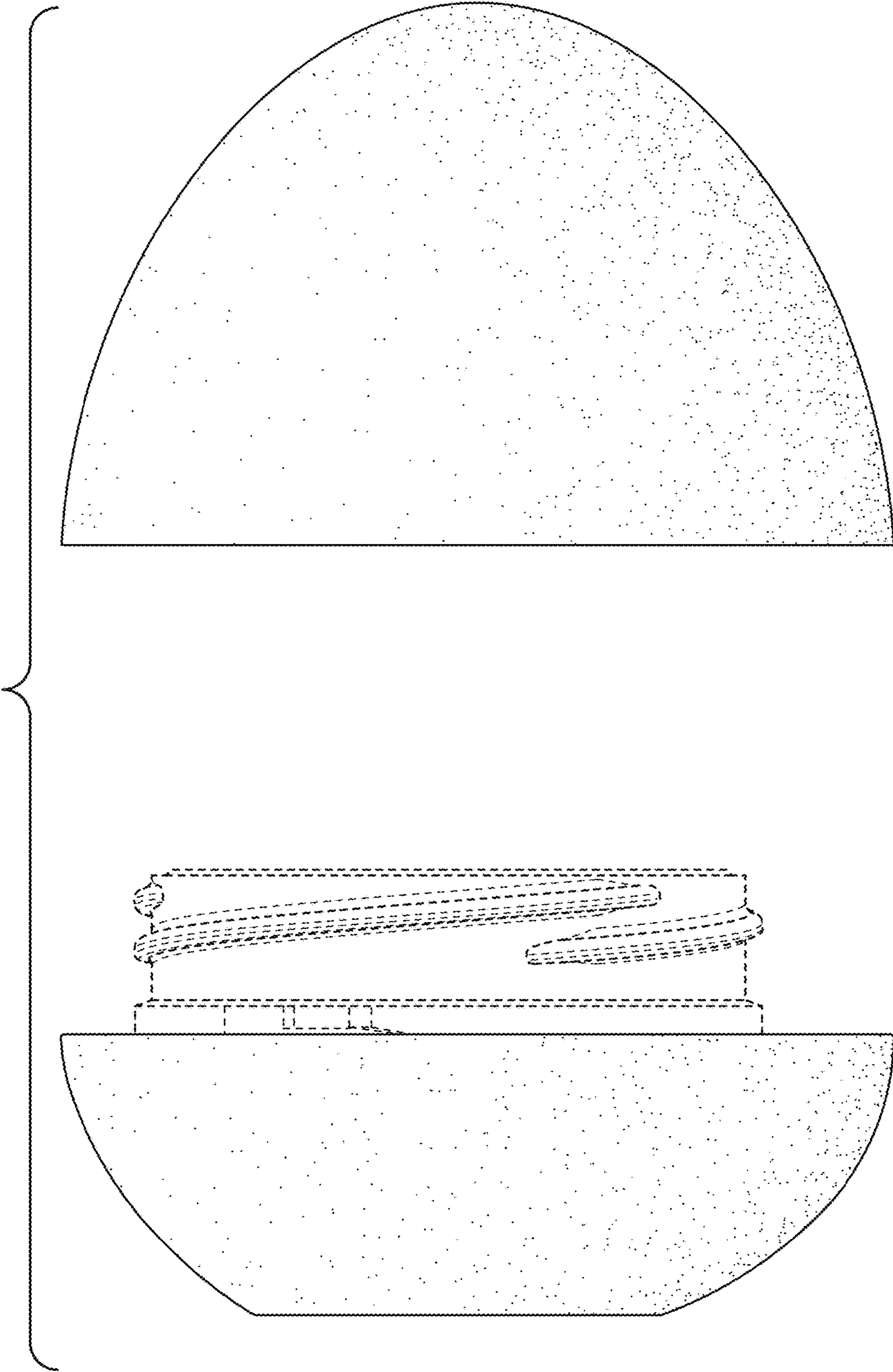


FIG. 2

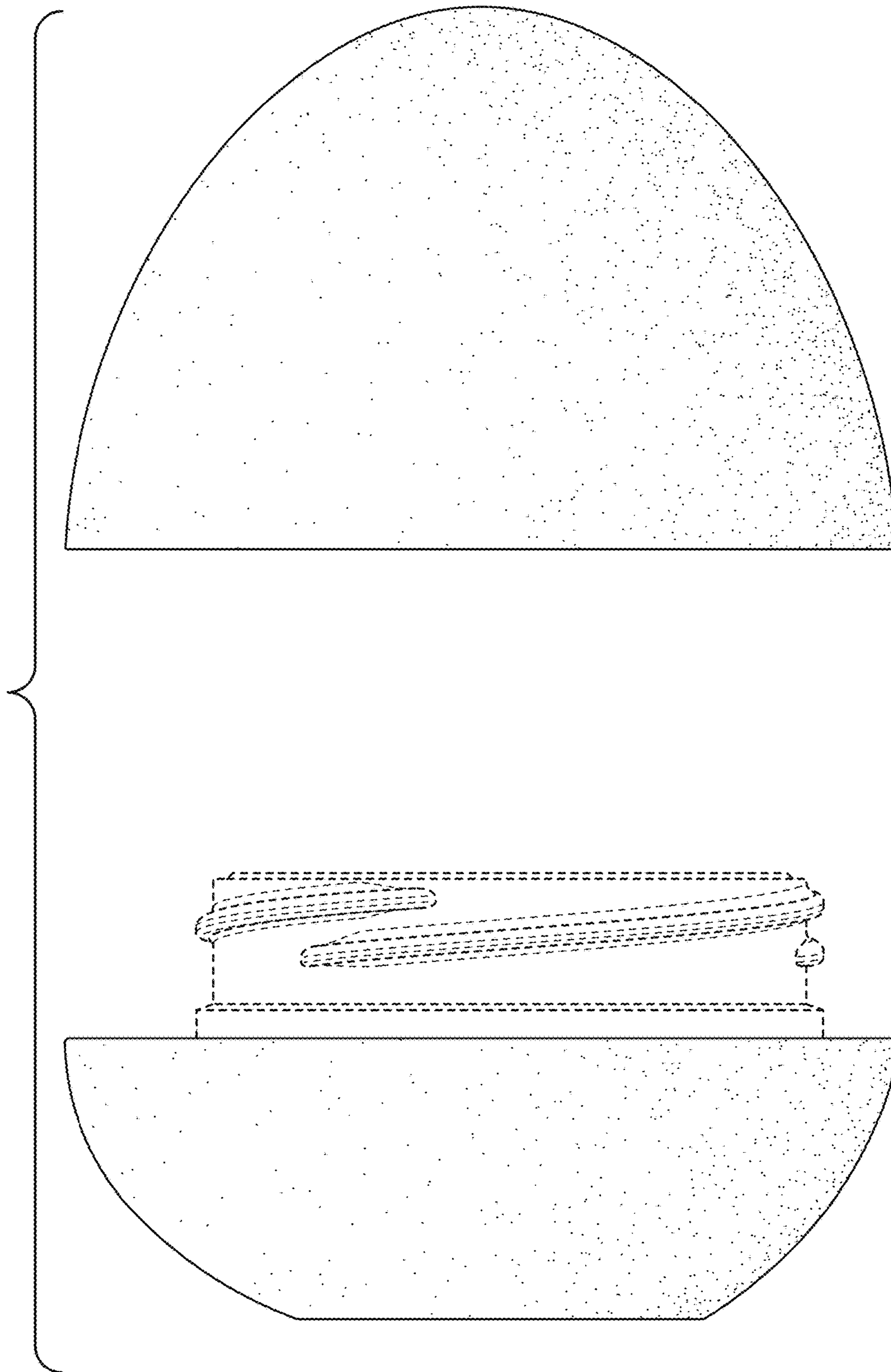


FIG. 3

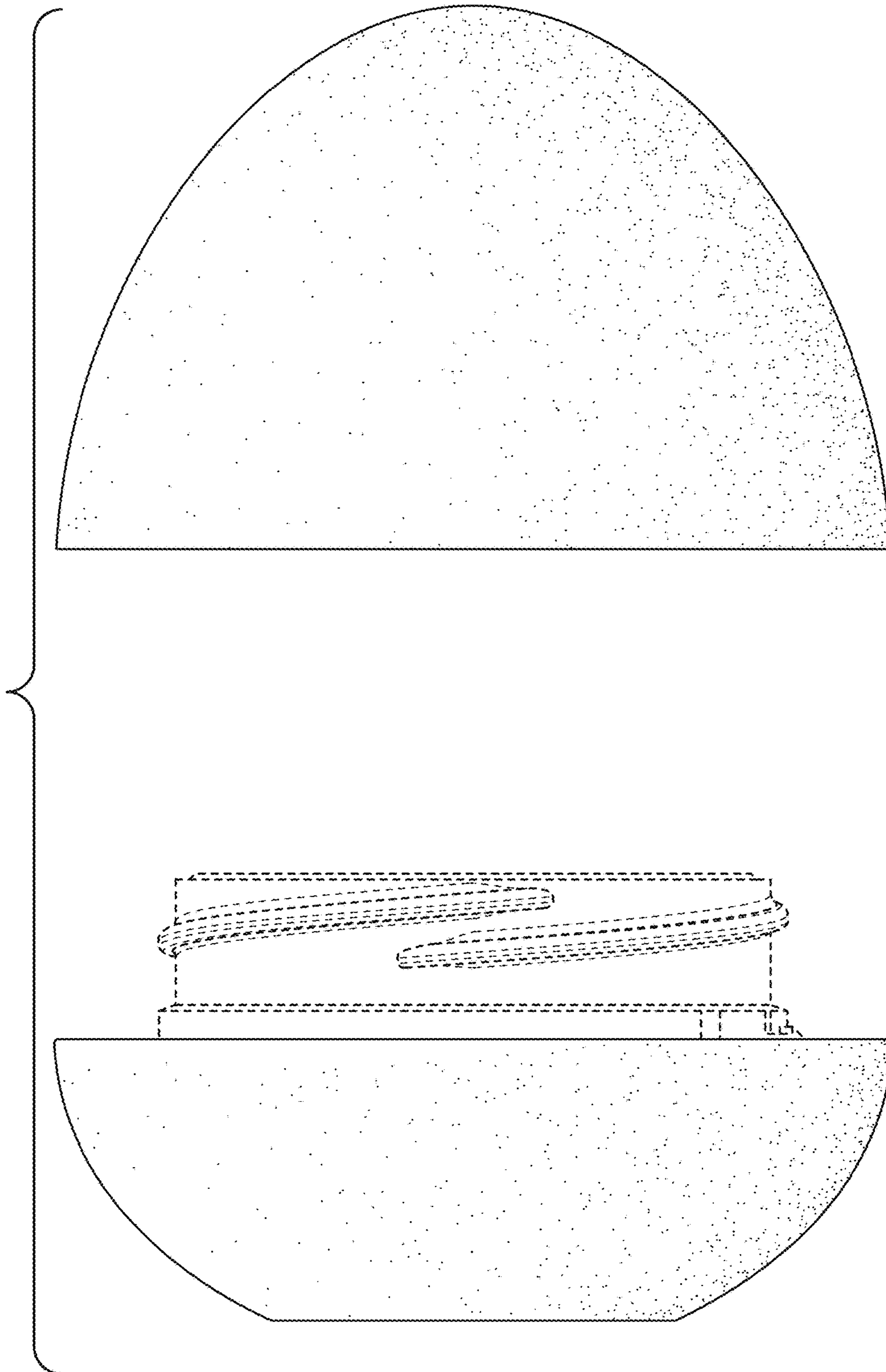


FIG. 4

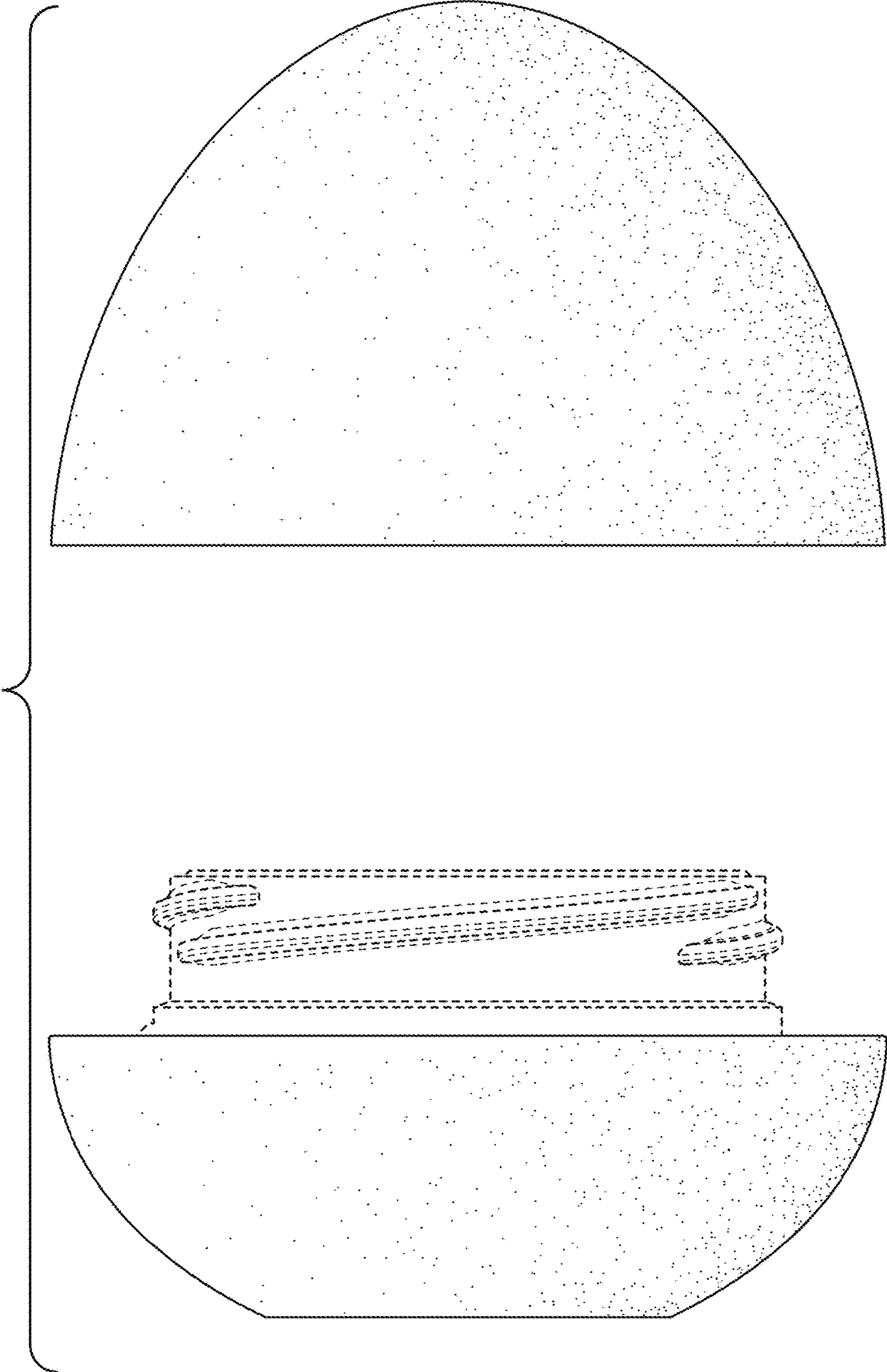


FIG. 5

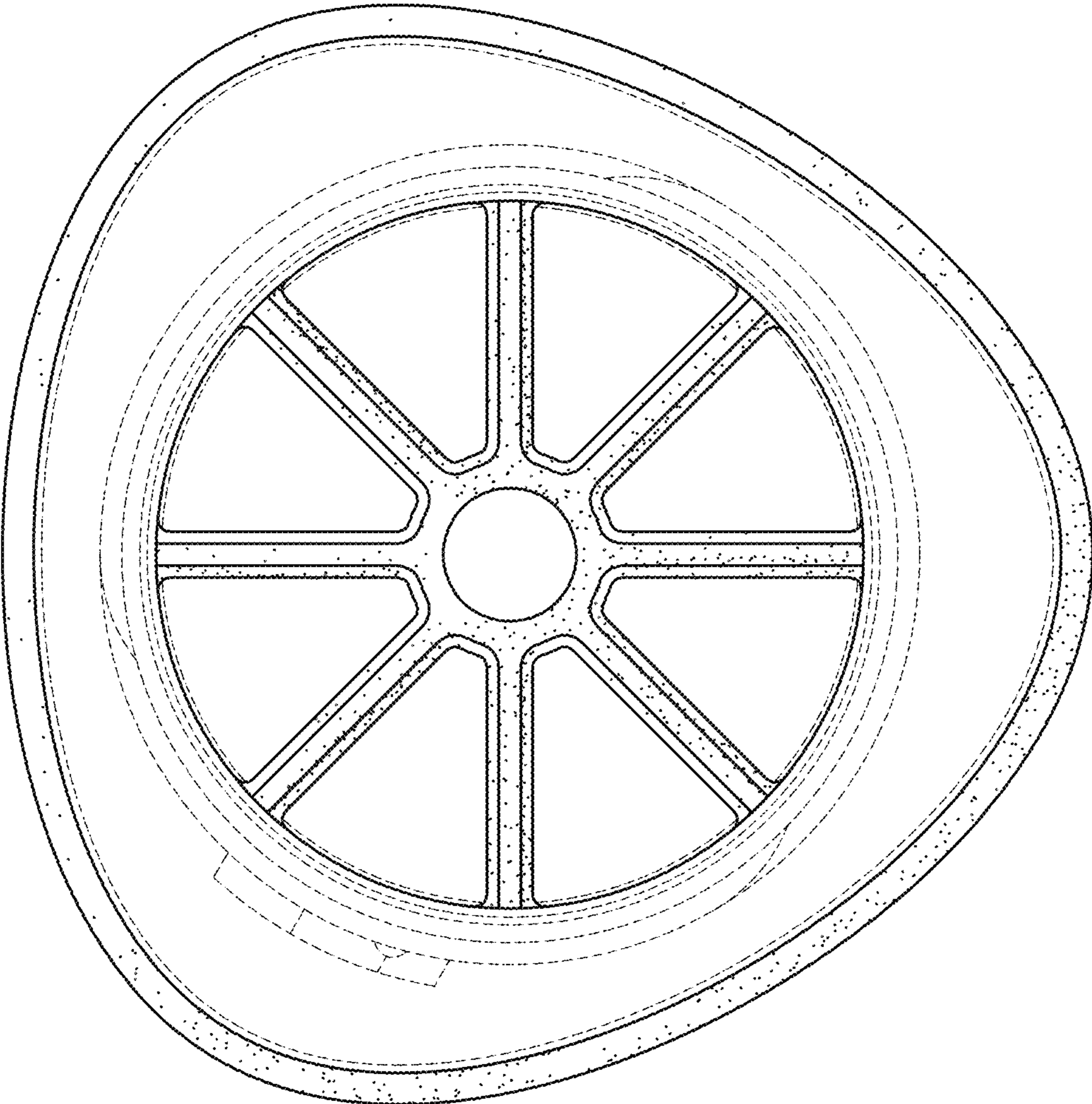


FIG. 6

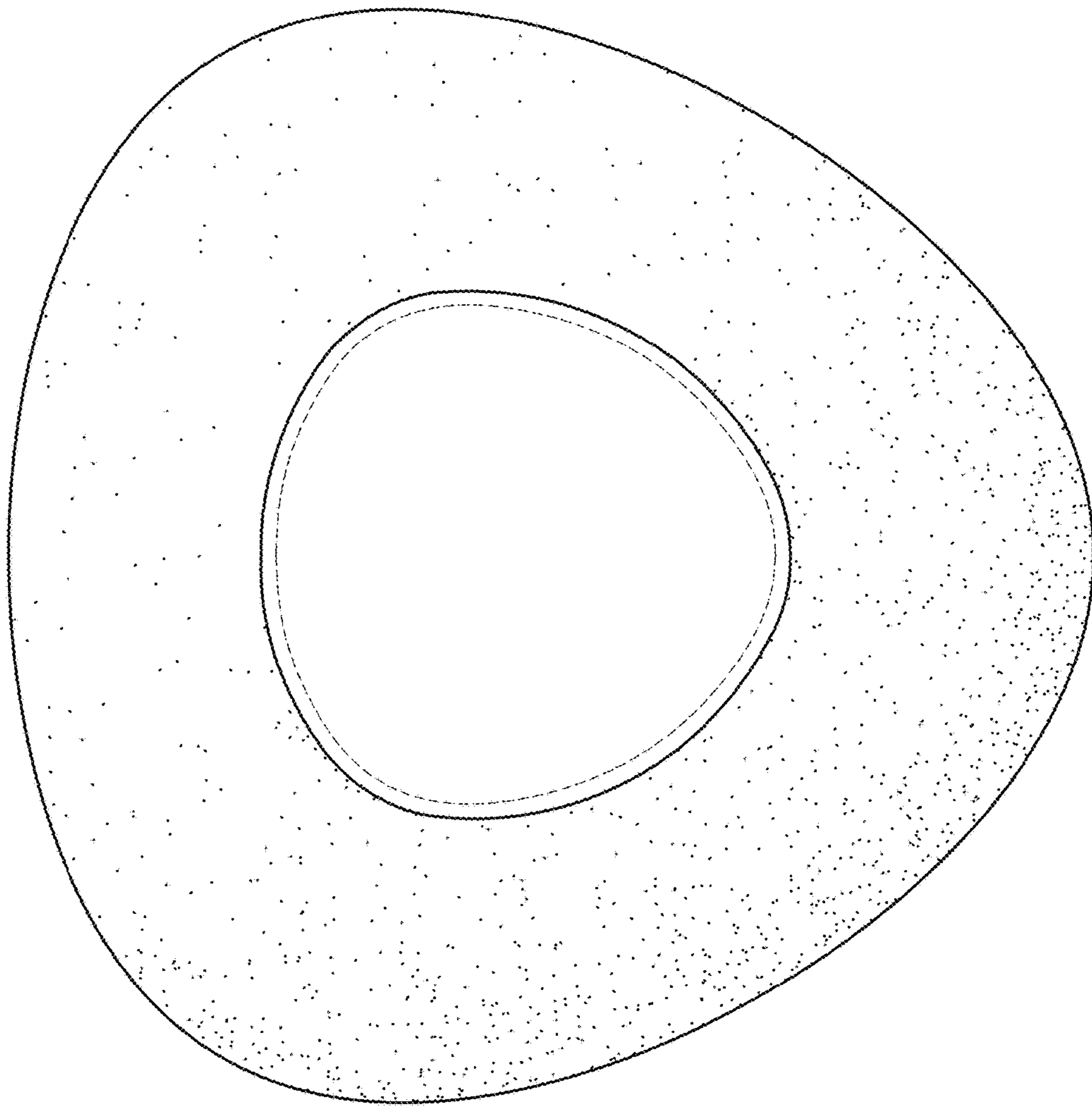


FIG. 7

UNITED STATES PATENT AND TRADEMARK OFFICE
CERTIFICATE OF CORRECTION

PATENT NO. : D858,889 S
APPLICATION NO. : 29/577660
DATED : September 3, 2019
INVENTOR(S) : Jonathan Teller et al.

Page 1 of 1

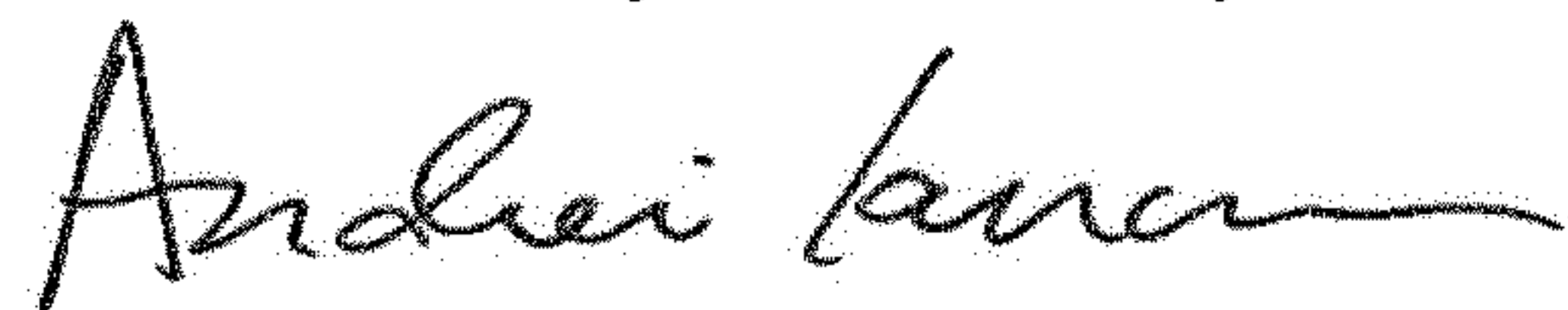
It is certified that error appears in the above-identified patent and that said Letters Patent is hereby corrected as shown below:

On the Title Page

Page 4, Column 1:

Line 27, Item (56) References Cited, Foreign Patent Documents: change "00354870-000" to
-- 003545870-0005 --.

Signed and Sealed this
Eleventh Day of February, 2020



Andrei Iancu
Director of the United States Patent and Trademark Office