



US00D85888S

(12) **United States Design Patent** (10) **Patent No.:** **US D858,888 S**  
**Teller et al.** (45) **Date of Patent:** **\*\* \*Sep. 3, 2019**

(54) **LIP PRODUCT CONTAINER**  
(71) Applicant: **EOS PRODUCTS, LLC**, New York, NY (US)  
(72) Inventors: **Jonathan Teller**, New York, NY (US); **Sanjiv Mehra**, New York, NY (US); **Peter Waxman**, New York, NY (US); **Joseph Speter**, New York, NY (US); **Karim Rashid**, New York, NY (US); **Bart Ruijpers**, New York, NY (US); **Olivia Blechschmidt**, New York, NY (US)

(73) Assignee: **EOS PRODUCTS, LLC**, New York, NY (US)

(\*) Notice: This patent is subject to a terminal disclaimer.

(\*\*) Term: **15 Years**

(21) Appl. No.: **29/577,656**

(22) Filed: **Sep. 14, 2016**

(51) **LOC (12) Cl.** ..... **28-03**

(52) **U.S. Cl.** ..... **D28/85**  
USPC .....

(58) **Field of Classification Search**  
USPC .... D28/82, 85-89, 77, 7; D9/434, 726, 432, D9/504, 519, 529, 549, 574, 715, 725, D9/502-503, 521, 551-552, 554, 557, D9/564, 566, 567, 570, 600-601; 220/669, 671; 206/385, 581, 823  
CPC .... B65D 51/245; B65D 25/005; B65D 25/00; B65D 3/00; B65D 1/00; A45D 40/0068; A45D 40/00

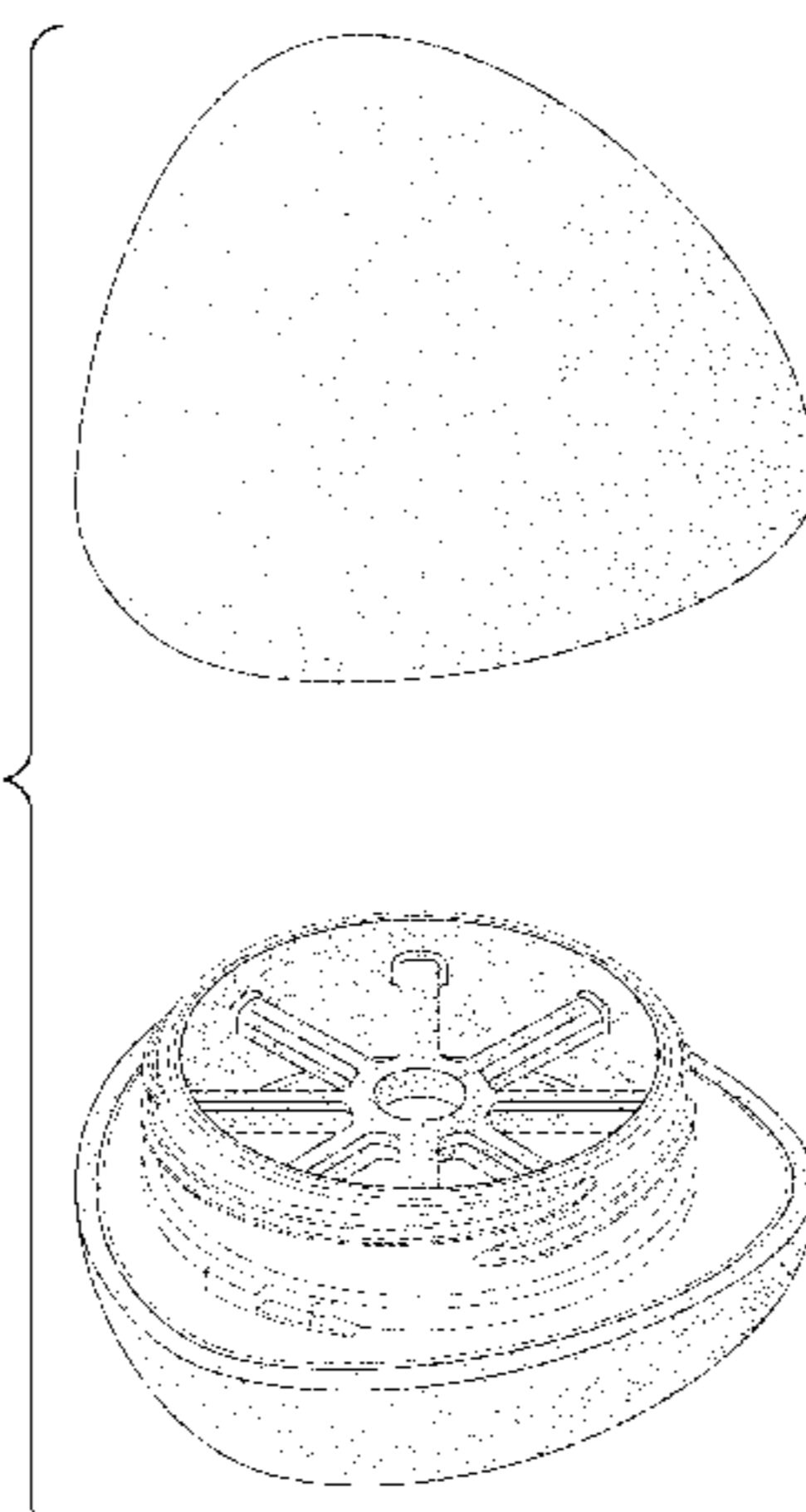
See application file for complete search history.

(56) **References Cited**

**U.S. PATENT DOCUMENTS**

75,524 A 3/1868 Chase, Jr.  
225,785 A 3/1880 Beattie

1,670,315 A	5/1928	Reutter	
1,817,562 A	8/1931	Hodge	
1,852,455 A	4/1932	Friedman	
D112,545 S	12/1939	Younghusband	
2,171,112 A	5/1940	Hoffman	
2,201,467 A	5/1940	Bloom	
D129,291 S	9/1941	Petzold	
D130,030 S	10/1941	Meyer	
D158,174 S *	4/1950	Busiel .....	D28/76
2,568,688 A	9/1951	Sidney	
2,745,642 A	5/1956	Herman	
D180,109 S	4/1957	Slater	
D189,888 S *	3/1961	Tapper .....	D24/226
2,998,896 A *	9/1961	Miller .....	B65D 11/02 220/4.26
3,085,709 A	4/1963	Klein	
D200,000 S	1/1965	Richards et al.	
D200,724 S *	3/1965	Grogel .....	220/573.1
3,292,840 A	12/1966	Schmidt	
3,494,515 A	2/1970	Fattori	
D219,496 S	12/1970	Lebedeff	
3,741,379 A	6/1973	Kappler et al.	
D228,157 S *	8/1973	Sussman .....	D28/82
D230,954 S	3/1974	Gregoriotti	
3,843,120 A	10/1974	Ricci	
D240,711 S	7/1976	Angleman et al.	
D240,829 S	8/1976	Jones et al.	
D243,585 S	3/1977	Angleman et al.	
4,044,889 A	8/1977	Orentreich et al.	
4,124,135 A	11/1978	Weder et al.	
4,164,301 A *	8/1979	Thayer .....	B65D 83/0454 206/534
D253,394 S	11/1979	Berghahn et al.	
D255,653 S	7/1980	Lipsz	
D255,990 S	7/1980	Lucas	
D256,095 S	7/1980	Sandonato	
4,235,557 A	11/1980	Hayes	
D258,199 S	2/1981	Torongo, Jr.	
4,261,468 A *	4/1981	Krebs .....	B65D 83/0454 206/538
D261,105 S	10/1981	Schwartz	
4,342,522 A	8/1982	Mackles	
D266,146 S	9/1982	Morris	
D272,723 S	2/1984	Baker	
D273,766 S	5/1984	Lampe	
D276,705 S	12/1984	Oliveri	
D280,289 S	8/1985	Aldrich et al.	
D286,616 S	11/1986	Becker	
D291,991 S *	9/1987	Lee .....	D14/147
4,728,210 A	3/1988	Barish et al.	
4,765,501 A	8/1988	Kao	
D302,384 S	7/1989	Holewinski	
D303,581 S	9/1989	Bakic	



# US D858,888 S

D305,262 S *	12/1989	Nichols .....	D24/115	D510,991 S	10/2005	Harbutt	
D310,487 S *	9/1990	Genaro .....	D9/521	D522,642 S	6/2006	Matsuda	
D317,118 S	5/1991	Crawford		D534,076 S	12/2006	Green et al.	
5,025,817 A *	6/1991	Wen .....	A45D 33/006 132/294	D534,423 S	1/2007	Tanner	
5,061,102 A	10/1991	Rennie		D536,081 S	1/2007	Steinel	
D321,319 S	11/1991	Giuseppe		D540,663 S	4/2007	Tanner	
5,092,700 A	3/1992	Susini et al.		D543,244 S	5/2007	Tsuruha	
5,150,808 A	9/1992	Hamilton		D552,054 S	10/2007	Pena	
D333,780 S	3/1993	Jones et al.		D552,473 S	10/2007	Simkin	
D333,784 S *	3/1993	Goodman .....	D3/302	D554,529 S	11/2007	Green	
D339,986 S	10/1993	Garouste et al.		D561,608 S	2/2008	Hogben	
D342,188 S	12/1993	Chen		D562,152 S	2/2008	Beam et al.	
D343,699 S	1/1994	Yang		D562,699 S	2/2008	Green	
5,287,979 A	2/1994	Bourgeois		D563,593 S	3/2008	Audrito	
D346,112 S	4/1994	Alcinder		D564,900 S *	3/2008	Green .....	D9/504
D349,976 S	8/1994	Connell		D573,026 S	7/2008	Tsai	
D354,441 S *	1/1995	Fontanella .....	D9/504	D577,583 S	9/2008	Porter et al.	
5,398,706 A *	3/1995	Epstein .....	A45D 33/006 132/273	D577,584 S	9/2008	Porter et al.	
D357,584 S	4/1995	Swingler		D578,393 S	10/2008	Canamasas Puigbo	
D368,220 S	3/1996	Bicknell et al.		D582,291 S *	12/2008	de Baschmakoff .....	D9/560
5,496,122 A	3/1996	Fattori		D585,129 S	1/2009	Huang	
D368,427 S	4/1996	Bicknell et al.		7,503,331 B2 *	3/2009	Eng .....	A45D 33/025 132/294
D375,258 S	11/1996	Weder et al.		D592,064 S	5/2009	Kilany	
D377,757 S	2/1997	Bertolini et al.		D602,663 S	10/2009	Pennington	
D383,972 S *	9/1997	Weiss .....	D9/521	D608,084 S *	1/2010	Anson .....	D3/203.3
D387,662 S	12/1997	Bright et al.		D608,826 S	1/2010	Laguatan et al.	
D389,409 S	1/1998	Tucker		D610,458 S	2/2010	Martin	
D393,023 S	3/1998	Martucci		D611,587 S	3/2010	Dineen	
D393,421 S	4/1998	Kovens		D612,245 S	3/2010	Canamasas Puigbo	
5,738,123 A	4/1998	Szekely		7,699,062 B2	4/2010	Sasaki	
5,743,404 A	4/1998	Melashenko et al.		D615,818 S	5/2010	Jansen	
5,792,496 A	8/1998	Fekete		D616,738 S	6/2010	Andre et al.	
D398,533 S	9/1998	Kotyuk et al.		D617,439 S	6/2010	Valentino	
5,799,667 A	9/1998	Szekely		D619,896 S	7/2010	Iwazu et al.	
5,808,215 A	9/1998	Kralik et al.		D625,469 S	10/2010	Dubitsky et al.	
5,813,784 A	9/1998	Durliat		D630,514 S	1/2011	Niikura et al.	
D406,764 S	3/1999	Bright et al.		D631,204 S	1/2011	Dubitsky et al.	
5,884,637 A	3/1999	Joulia		D632,173 S	2/2011	Makita	
D408,738 S	4/1999	Wu		D633,292 S *	3/2011	Anson .....	D3/203.3
5,897,263 A	4/1999	Fattori		D637,806 S *	5/2011	Anson .....	D3/203.3
5,925,391 A	7/1999	Whetstone, Jr.		D638,880 S	5/2011	Rashid	
5,988,424 A	11/1999	Kovens		D643,879 S	8/2011	Rashid	
6,010,264 A	1/2000	Scuderi et al.		D644,939 S	9/2011	Teller	
D421,216 S	2/2000	Abrams et al.		D647,189 S *	10/2011	Mochizuki .....	D23/366
D422,904 S	4/2000	Lepsius et al.		D651,903 S	1/2012	Teller	
6,050,438 A	4/2000	Kovens et al.		D653,547 S *	2/2012	Canuto .....	D9/519
6,099,872 A	8/2000	Whetstone, Jr.		D655,168 S	3/2012	In	
D434,978 S	12/2000	Thill		D660,451 S	5/2012	Matsuura	
6,193,427 B1	2/2001	Benguigui		D668,298 S	10/2012	Rashid	
6,237,788 B1	5/2001	Shuen		D669,232 S	10/2012	Chung et al.	
D443,726 S	6/2001	Failliant-Dumas		8,388,252 B2	3/2013	Thiebaut	
6,283,658 B1	9/2001	Estevez et al.		D680,439 S	4/2013	Reetz	
6,391,972 B1	5/2002	Hatakeyama		D681,118 S	4/2013	Mueller et al.	
D458,835 S	6/2002	Delli-Venneri		D681,278 S	4/2013	Schlatter	
D459,216 S	6/2002	Heijdenrijk		8,444,337 B2	5/2013	Teller et al.	
D465,149 S	11/2002	Bennett et al.		8,556,101 B2 *	10/2013	Delatour .....	A47G 7/063 220/4.28
D465,614 S	11/2002	Petit		8,651,308 B1 *	2/2014	Sung .....	A45D 40/00 206/457
D465,733 S	11/2002	Hill		8,747,002 B2	6/2014	Izkovitz	
D466,252 S	11/2002	Yu		D708,790 S	7/2014	Schlatter	
D471,667 S *	3/2003	Angeletta .....	D28/7	D709,652 S	7/2014	Teller	
D472,803 S	4/2003	Saunders		D710,544 S	8/2014	Shen	
D475,921 S *	6/2003	Smith .....	D9/444	D713,247 S	9/2014	Webster et al.	
D476,111 S	6/2003	Karafotas		8,844,720 B2	9/2014	Lantinen	
D476,884 S	7/2003	Miranda		8,851,088 B2 *	10/2014	Dibnah .....	A45D 26/0014 132/294
D478,681 S *	8/2003	Newcomb .....	D26/94	D717,038 S *	11/2014	Lee .....	D3/203.3
6,626,313 B2	9/2003	Herbstreit et al.		D726,028 S	4/2015	Thompson	
D480,633 S	10/2003	Miranda		D731,180 S	6/2015	Neuhaus	
D484,585 S	12/2003	Upson		D732,341 S	6/2015	Matharu	
D484,646 S	12/2003	Ditrichstein		D735,413 S	7/2015	Smith	
6,688,795 B1	2/2004	Jacob et al.		D735,415 S	7/2015	Thompson	
D489,148 S	4/2004	Sheng		D737,136 S	8/2015	Lam	
6,773,187 B2	8/2004	Gueret		D738,028 S	9/2015	Wu	
D504,979 S	5/2005	Lai		D740,493 S *	10/2015	David .....	D28/89
D506,850 S *	6/2005	Angeletta .....	D28/7	D742,593 S	11/2015	Corey	
D507,177 S	7/2005	Weissman		D746,046 S	12/2015	Lee	
D509,890 S	9/2005	Stavale					
D510,134 S *	9/2005	Lablaine .....	D23/366				

# US D858,888 S

D747,621 S	1/2016	Amerson	2006/0254945 A1*	11/2006	Green .....	A45D 40/0068
9,232,844 B2	1/2016	Thompson				206/457
D748,484 S *	2/2016	Lavigne .....	D9/435	2007/0017915 A1	1/2007	Weder et al.
D748,976 S	2/2016	Mitchell		2007/0108092 A1*	5/2007	Minuto .....
D755,637 S	5/2016	Wetton et al.				B65D 11/02
D758,867 S *	6/2016	Tsai .....	D28/89	2008/0213028 A1	9/2008	Hosokawa et al.
D759,897 S *	6/2016	Eberlein .....	D28/82	2009/0022541 A1	1/2009	De LaForce
D760,527 S	7/2016	Jones		2009/0028625 A1	1/2009	Bonneyrat
D762,329 S	7/2016	Teller et al.		2010/0101600 A1*	4/2010	Kang .....
9,380,860 B1 *	7/2016	Taylor .....	A46B 17/06			A45D 33/02
D763,102 S	8/2016	Pires		2011/0024316 A1*	2/2011	Ginsburg .....
D763,512 S	8/2016	Teller et al.				A45D 40/0068
D764,105 S	8/2016	Teller et al.				206/385
D764,106 S	8/2016	Teller		2011/0135377 A1	6/2011	Teller
D764,107 S	8/2016	Teller et al.		2011/0226187 A1*	9/2011	Bertsch .....
D764,108 S	8/2016	Teller et al.				A01K 5/0114
D764,109 S	8/2016	Teller et al.		2011/0253731 A1*	10/2011	Smith .....
D764,110 S	8/2016	Teller				B65D 25/22
D764,111 S	8/2016	Teller et al.				220/751
D764,112 S	8/2016	Teller et al.		2013/0302080 A1	11/2013	Teller et al.
D764,113 S	8/2016	Teller et al.		2013/0322950 A1	12/2013	Teller
D764,114 S	8/2016	Teller et al.		2013/0330427 A1	12/2013	Smigel et al.
D764,296 S *	8/2016	Jung .....	D9/444	2013/0341832 A1	12/2013	Teller et al.
D764,710 S	8/2016	Teller		2013/0341833 A1	12/2013	Teller et al.
D764,711 S	8/2016	Teller et al.		2014/0013712 A1	1/2014	Teller
D764,712 S	8/2016	Teller et al.		2014/0105666 A1	4/2014	Teller
D764,713 S	8/2016	Teller		2014/0138273 A1	5/2014	Glass
D764,714 S	8/2016	Teller et al.		2015/0037082 A1	2/2015	Pires et al.
D765,574 S *	9/2016	Hale, Jr. ....	D12/211	2015/0096919 A1	4/2015	Thompson
D766,512 S	9/2016	Teller et al.		2015/0122697 A1*	5/2015	Shen .....
D768,936 S	10/2016	Yoshida				A45D 33/00
D768,937 S	10/2016	Yoshida				206/581
D769,533 S	10/2016	Teller et al.		2015/0182004 A1	7/2015	Teller et al.
D770,353 S *	11/2016	Hale, Jr. ....	D12/211	2016/0262522 A1	9/2016	Teller et al.
D770,685 S	11/2016	Teller et al.		2016/0295993 A1	10/2016	Wojcik
D771,430 S *	11/2016	Yip .....	D7/354	2017/0013936 A1	1/2017	Schlatter
D771,873 S	11/2016	Teller		2017/0150802 A1	6/2017	Parlionas
D772,481 S	11/2016	Paquet		2017/0325568 A1	11/2017	Teller et al.
D777,847 S	1/2017	Rost		2018/0044077 A1*	2/2018	Teller .....
D777,979 S	1/2017	Lozano		2018/0085767 A1	3/2018	Kang
D777,982 S *	1/2017	Son .....	D28/77	2018/0206614 A1	7/2018	Lushefski
D777,983 S	1/2017	Teller et al.		2018/0255906 A1	9/2018	Delia et al.
D778,502 S	2/2017	Teller		2018/0296460 A1	10/2018	Wong et al.
D779,137 S	2/2017	Taylor		2018/0310690 A1	11/2018	Wojcik et al.
D779,329 S *	2/2017	Buogo .....	D9/519	2018/0317628 A1	11/2018	Villarreal et al.
D781,151 S *	3/2017	Lerman .....	D9/500			
9,585,458 B2	3/2017	Teller et al.		FOREIGN PATENT DOCUMENTS		
D787,338 S	5/2017	Dorsinville		EM	0433150	6/1991
D788,372 S *	5/2017	Reed .....	D28/82	EM	0628393	4/1994
D788,586 S	6/2017	Molinari		EM	000031679-0001	11/2007
D789,241 S	6/2017	Cao		EM	001710245-0003	8/2010
D791,608 S	7/2017	Dorsinville		EM	003000363-0002	3/2016
D792,829 S *	7/2017	Kim .....	D12/211	EM	003545870-0005	3/2017
D793,236 S *	8/2017	Santos .....	D9/454	ES	0505578-01	11/2007
D797,190 S	9/2017	Laemle		FR	2563711	5/1984
D797,553 S	9/2017	Huang		FR	2726443	3/1995
9,783,343 B2 *	10/2017	Seguin .....	A45D 33/006	FR	2766339	7/1997
D804,099 S	11/2017	Teller et al.		FR	040004-001	2/2007
D808,080 S	1/2018	Corey et al.		FR	2925263	12/2007
D813,687 S *	3/2018	Ferreira .....	D9/741	GB	446424	10/1935
D815,950 S	4/2018	Zhang		GB	2162822	5/1985
D817,174 S	5/2018	Weinrich		GB	2007213	5/1990
D818,648 S	5/2018	Cleij		JP	1136041	3/2002
D819,191 S	5/2018	Atabaki et al.		JP	455237-001	6/2003
9,994,384 B2	6/2018	Glass		JP	1175238	6/2003
D825,334 S *	8/2018	Ristich .....	D9/454	JP	2004321410	11/2004
D825,858 S	8/2018	Teller et al.		JP	2006204821	9/2006
D825,861 S	8/2018	Teller et al.		JP	3914892	2/2007
D827,205 S	8/2018	Teller et al.		KR	20090006972	1/2009
D827,935 S	9/2018	Teller et al.		KR	300743262-0000	5/2014
D830,638 S	10/2018	Teller et al.		KR	300913854-0000	* 7/2017
2002/0003983 A1	1/2002	Gueret		TR	092079-0003	11/2016
2002/0008105 A1	1/2002	Herbstreit et al.		TW	D154118	6/2013
2002/0033397 A1	3/2002	Henson		TW	D174258	3/2016
2003/0077102 A1	4/2003	Bourjal		WO	WO2007/007288	1/2007
2003/0161851 A1	8/2003	Breha, III et al.				
2004/0005186 A1	1/2004	Ueda et al.		OTHER PUBLICATIONS		
2006/0081721 A1	4/2006	Caserta et al.		DIY Refill for the EOS Lip Balm, posted at <a href="http://freshpickedbeauty.com">freshpickedbeauty.com</a>		
2006/0201838 A1	9/2006	Sasaki		by Shannon Buck, published Jun. 17, 2014 © not listed, online, site		

visited Sep. 25, 2017. Available from Internet, URL: <http://www.freshpickedbeauty.com/2014/06/diy-refill-for-eos-lip-balm.html>.\*

5 Minute Lip Balm with EOS Container, posted at youtube.com by WhatsUpMoms, published Apr. 14, 2015 © Standard YouTube License, online, site visited Sep. 25, 2017. Available from Internet, URL: <https://www.youtube.com/watch?v=p3aGGwh>.

Search Report dated Oct. 27, 2017 from ROC (Taiwan) Application No. 106301253.

U.S. Appl. No. 29/411,931, filed Jan. 2012, Teller.

U.S. Appl. No. 29/411,933, filed Jan. 2012, Teller.

U.S. Appl. No. 13/891,264, filed May 2013, Teller.

U.S. Appl. No. 14/973,717, filed Dec. 2015, Teller.

U.S. Appl. No. 14/988,740, filed Jan. 2016, Teller.

U.S. Appl. No. 15/016,257, filed Feb. 2016, Teller.

U.S. Appl. No. 29/569,183, filed Jun. 2016, Teller.

U.S. Appl. No. 29/569,184, filed Jun. 2016, Teller.

U.S. Appl. No. 29/569,185, filed Jun. 2016, Teller.

U.S. Appl. No. 29/569,186, filed Jun. 2016, Teller et al.

U.S. Appl. No. 29/569,187, filed Jun. 2016, Dubitsky et al.

U.S. Appl. No. 29/573,625, filed Aug. 2016, Teller et al.

U.S. Appl. No. 29/573,688, filed Aug. 2016, Teller et al.

U.S. Appl. No. 29/573,703, filed Aug. 2016, Teller et al.

U.S. Appl. No. 29/573,704, filed Aug. 2016, Teller et al.

U.S. Appl. No. 29/573,710, filed Aug. 2016, Teller et al.

U.S. Appl. No. 29/573,712, filed Aug. 2016, Teller et al.

U.S. Appl. No. 29/573,717, filed Aug. 2016, Teller et al.

U.S. Appl. No. 29/573,719, filed Aug. 2016, Teller et al.

U.S. Appl. No. 29/573,721, filed Aug. 2016, Teller et al.

U.S. Appl. No. 29/573,723, filed Aug. 2016, Teller et al.

U.S. Appl. No. 29/573,726, filed Aug. 2016, Teller et al.

U.S. Appl. No. 15/232,450, filed Aug. 2016, Teller et al.

U.S. Appl. No. 29/577,625, filed Sep. 2016, Teller et al.

U.S. Appl. No. 29/577,649, filed Sep. 2016, Teller et al.

U.S. Appl. No. 29/577,660, filed Sep. 2016, Teller et al.

U.S. Appl. No. 29/577,663, filed Sep. 2016, Teller et al.

U.S. Appl. No. 29/577,666, filed Sep. 2016, Teller et al.

U.S. Appl. No. 29/593,433, filed Feb. 2017, Teller et al.

U.S. Appl. No. 29/593,445, filed Feb. 2017, Teller et al.

U.S. Appl. No. 29/593,450, filed Feb. 2017, Teller et al.

U.S. Appl. No. 29/593,453, filed Feb. 2017, Teller et al.

U.S. Appl. No. 29/593,454, filed Feb. 2017, Teller et al.

U.S. Appl. No. 29/593,456, filed Feb. 2017, Teller et al.

U.S. Appl. No. 15/487,057, filed Apr. 2017, Teller et al.

U.S. Appl. No. 29/600,564, filed Apr. 2017, Teller et al.

U.S. Appl. No. 29/500,571, filed Apr. 2017, Teller et al.

Born Pretty Store, “1Pc Pro Powder Puff Beauty Cute Egg Shape Sponge Make-up Foundation Makeup (Random Color)”, Accessed Nov. 14, 2016. (<http://www.bornprettystore.com/powder-puff-beauty-cute-shape-sponge-make-foundation-makeuprandom-color-p-20027.html>).

Born Pretty Store, “50Pcs/set Dry Wet Amphibious Sponge Powder Puff Round Rectangle Puff Beauty Makeup Tool”, Accessed Nov. 14, 2016. (<http://www.bornprettystore.com/50pcset-amphibious-sponge-powder-puff-round-rectangle-puff-beauty-makeup-tool-p-34825.html>).

EP 2509461 Observations by Third Parties; Jun. 9, 2015.

Third Party Observations in Application No. EP20100836463; Jun. 15, 2015.

Letter from Oralab’s Counsel regarding ITC Case; Jul. 20, 2015.

EP 2509461 Observations by Third Parties; Jan. 29, 2016.

EP 2509461 Observations by Third Parties; Jun. 30, 2016.

Lancome Baume Baiser (date unclear—for purposos of examination—please consider as prior art).

Letter from John L. Welsh enclosing Draft IPR Petition; Jul. 27, 2015.

Webpage from [www.amazon.com](http://www.amazon.com) showing “Lancome Baume Baiser Hydrating Balm Sensual Massage for Lips” product and images (3 pages).

Webpage <http://www.musingsofamuse.com/2009/10/beauty-on-a-budget-eos-lip-b-alm-review.html>, Oct. 1, 2009.

Jackson, Junkie Obsession: Lanca’ me’s Baume Baiser, Aug. 13, 2007.

Refill for the EOS Lip Balm, posted at Fresh-Picked Beauty, published Jun. 17, 2014.

Lip Balm, EOS, posted at [amourtera.com](http://amourtera.com) by Kelly Armetta, published Jun. 25, 2013 Copyright 2018 Amourtera, online, site visited Mar. 23, 2018. Available from Internet, URL: <http://www.amourtera.com/2013/06/reuse-your-eos-lip-balm.html> (Year: 2013).

Egg Pore, Tony Moly Egg Pore Blackhead Steam Balm, posted on youtube.com by Rachel Ann, published Dec. 6, 2015 Copyright Standard YouTube License, online, sited visited Apr. 26, 2018. Available from Internet, URL: <https://www.youtube.com/watch?v=x5Atq8pitiQ> (Year: 2015).

Egg Pore Balm, Tony Moly, posted at [thegloss.com](http://thegloss.com), posted by Heather Cichowski, published Jan. 26, 2016 Copyright 2015 Defy Media, onine, site visited Apr. 26, 2018. Available from Internet, URL: <http://thegloss.com/beauty/best-egg-based-skin-care-korean-products> (Year: 2016).

Volleysparkleblog, “Well at Walgreens Watermelon Lip Balm / Review”, Posted Feb. 18, 2014, Accessed Apr. 4, 2017. (<http://volleysparkle.weebly.com/makeup/wall-at-walgreens-watermelon-lip-balm-review>).

\* cited by examiner

*Primary Examiner* — Shannon W Morgan

*Assistant Examiner* — Altaira J Swangin

(74) *Attorney, Agent, or Firm* — Martin & Ferraro, LLP

(57)

## CLAIM

The ornamental design for a lip product container, as shown and described.

## DESCRIPTION

FIG. 1 is a front perspective view of a lip product container in an open configuration showing our design;

FIG. 2 is a front elevational view thereof;

FIG. 3 is a rear elevational view thereof;

FIG. 4 is a left side elevational view thereof;

FIG. 5 is a right side elevational view thereof;

FIG. 6 is a top plan view thereof without the top portion of the lip product container; and,

FIG. 7 is a bottom plan view thereof.

The broken lines shown in the figures depict portions of the lip product container and the broken lines immediately adjacent to shaded portions of the lip product container depict boundaries that form no part of the claimed design. None of the broken lines form part of the claimed design.

**1 Claim, 7 Drawing Sheets**

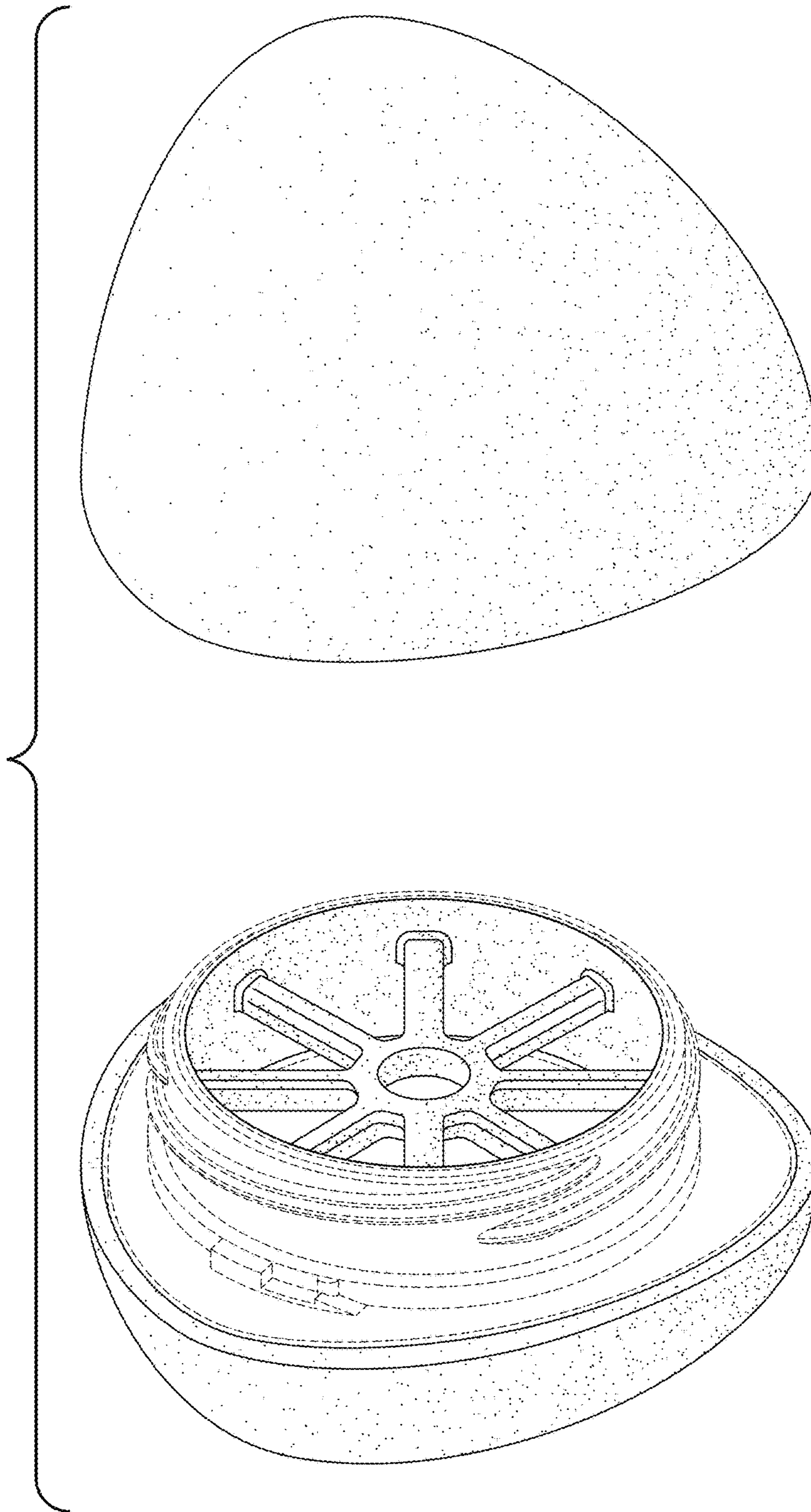


FIG. 1

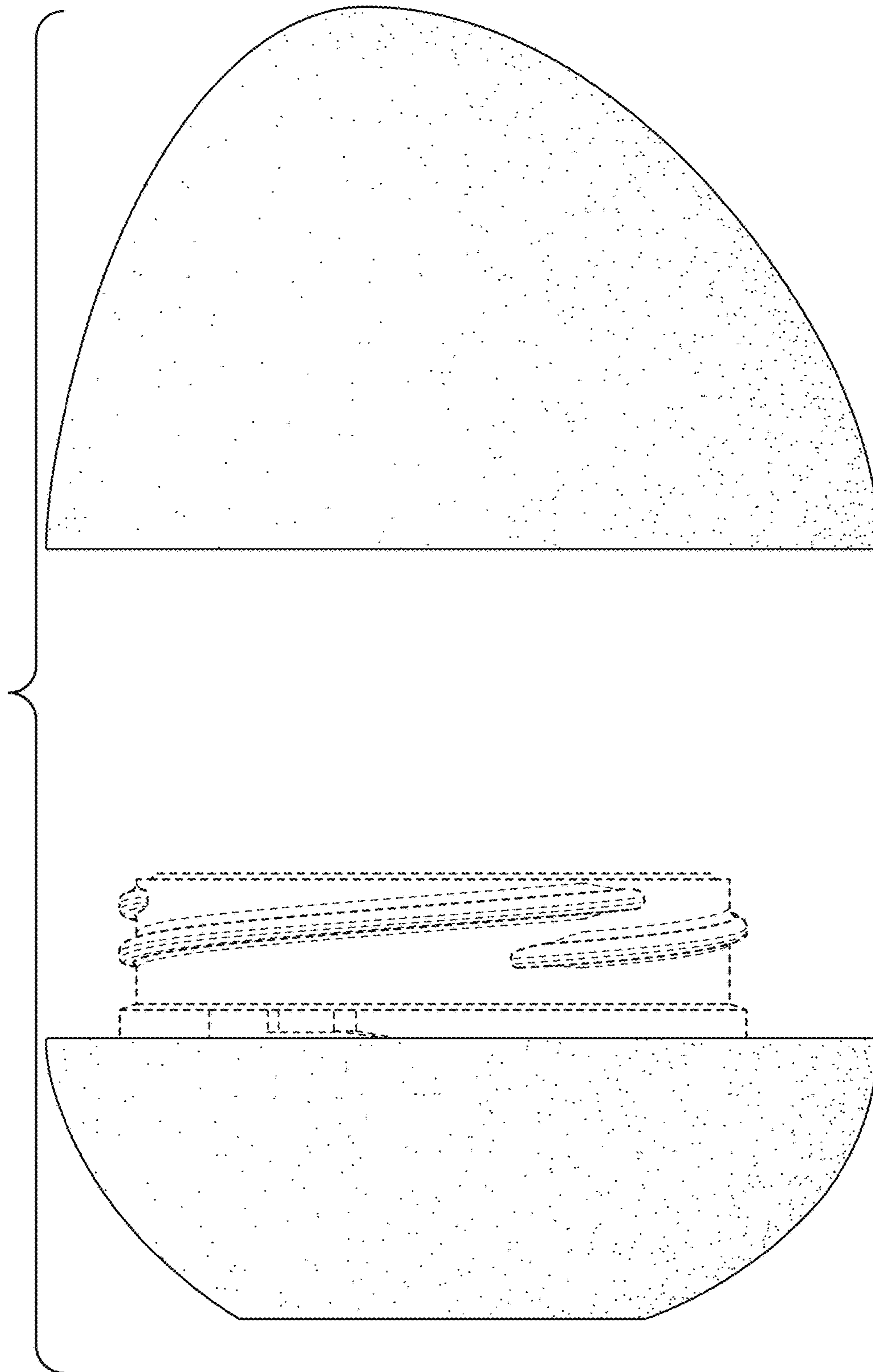


FIG. 2

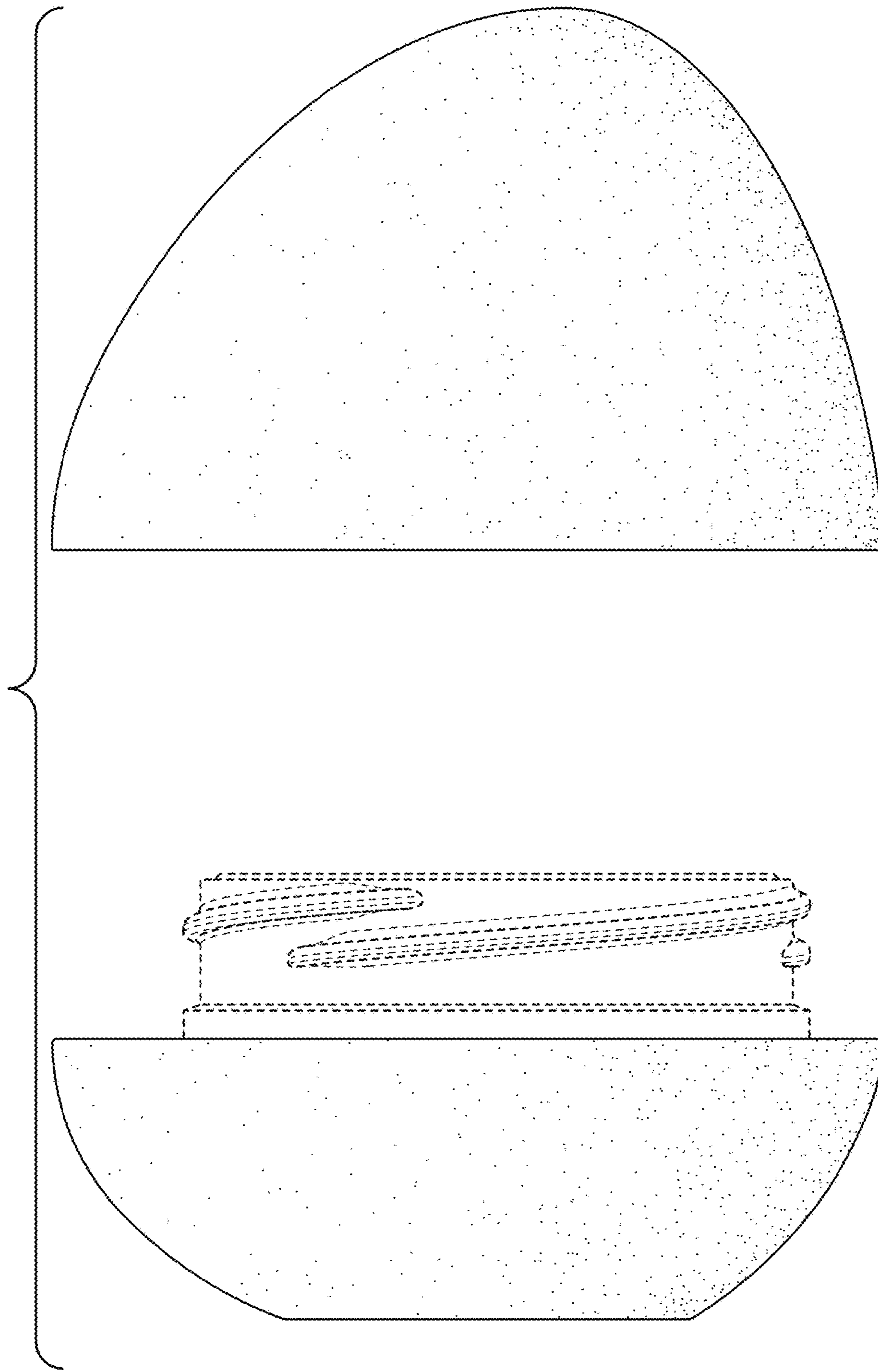


FIG. 3

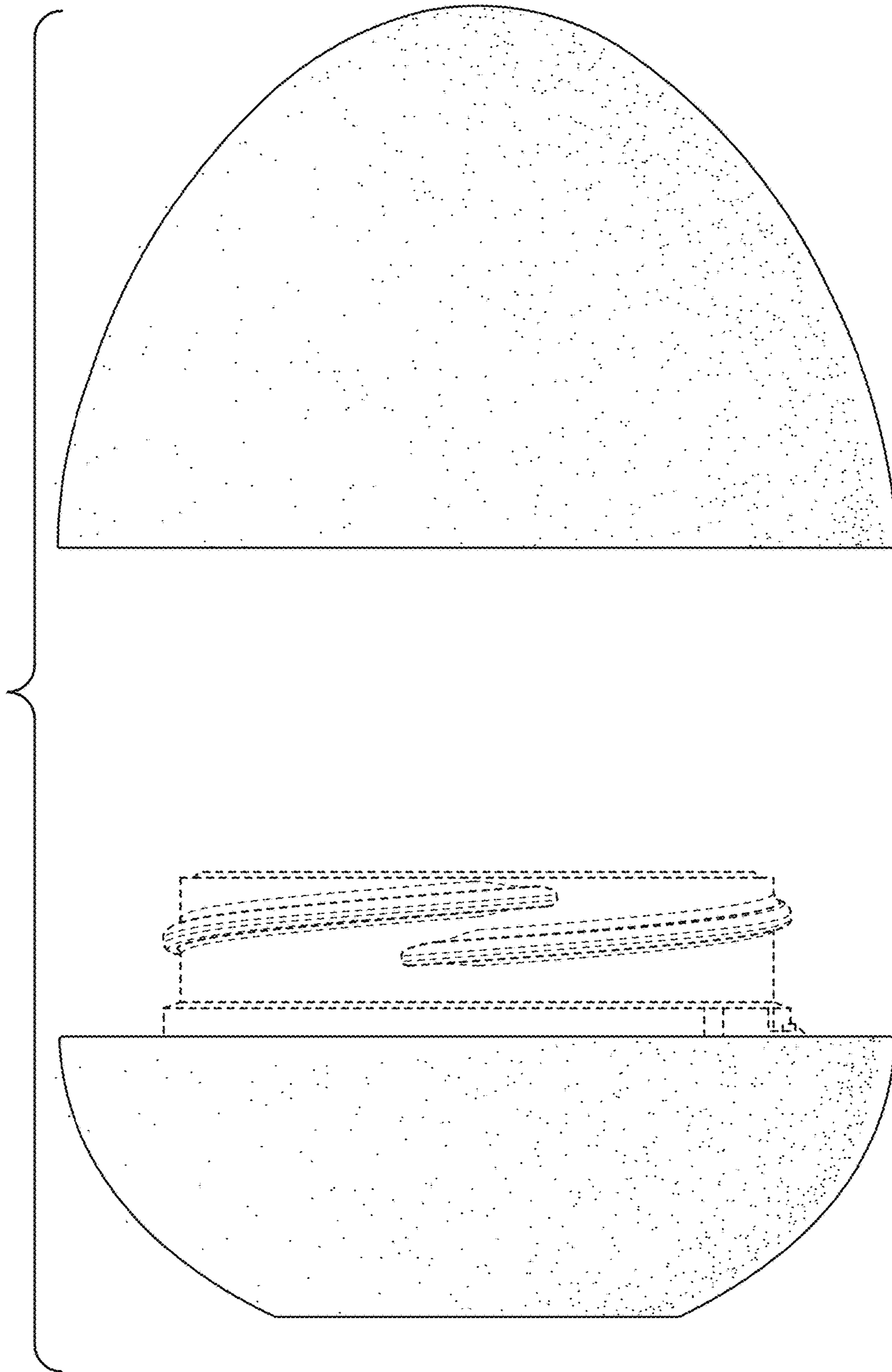


FIG. 4



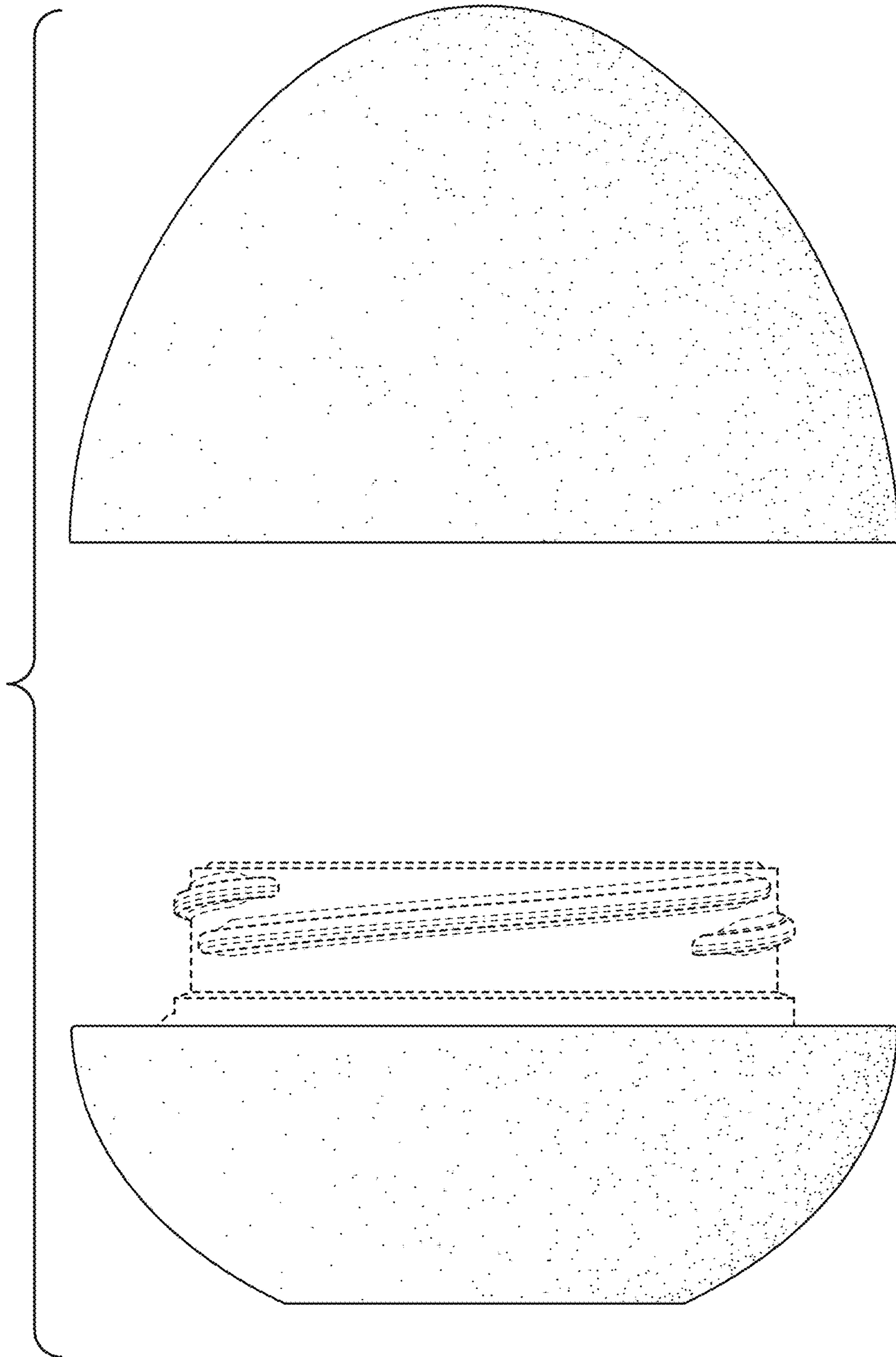


FIG. 5

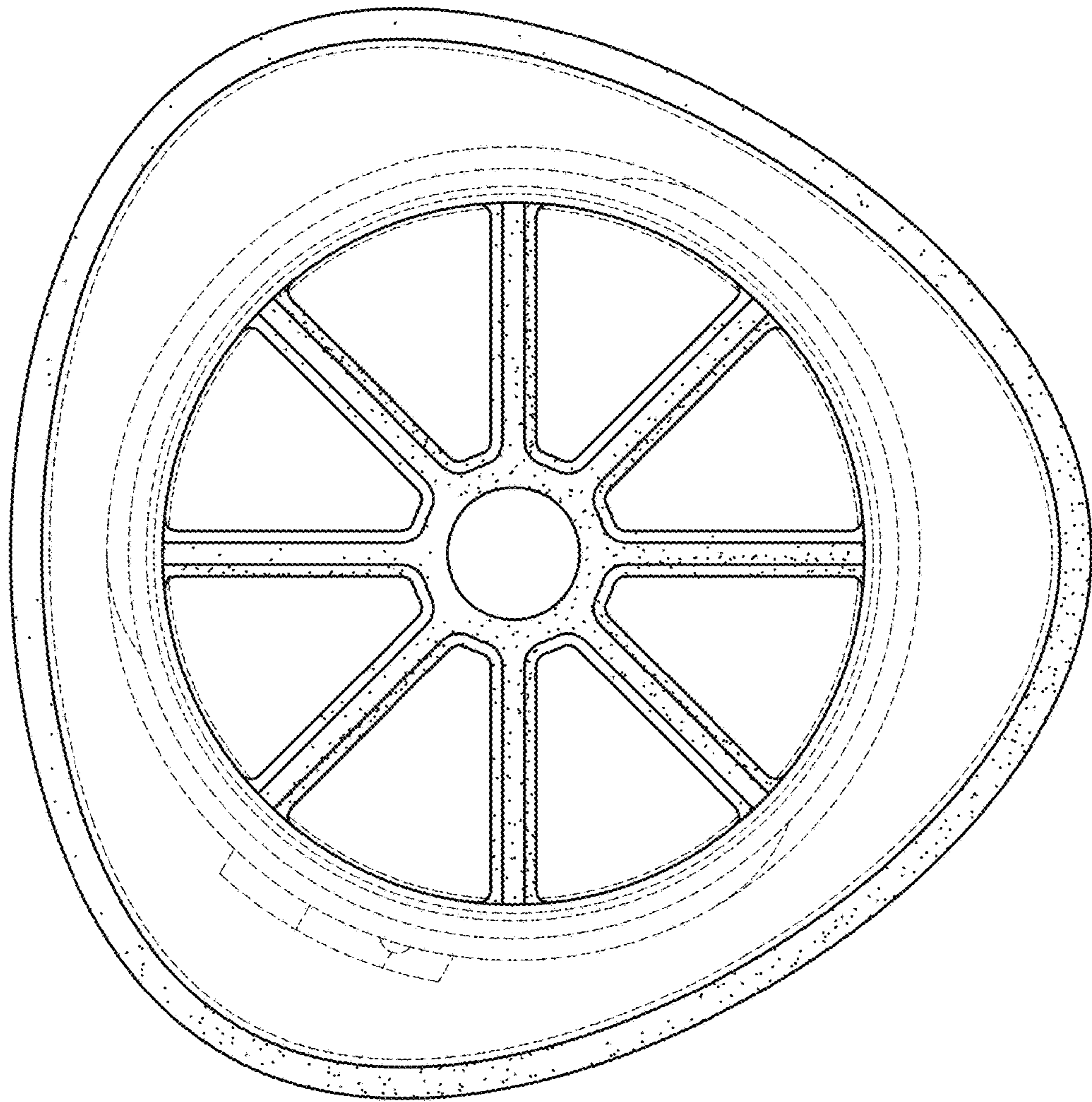


FIG. 6

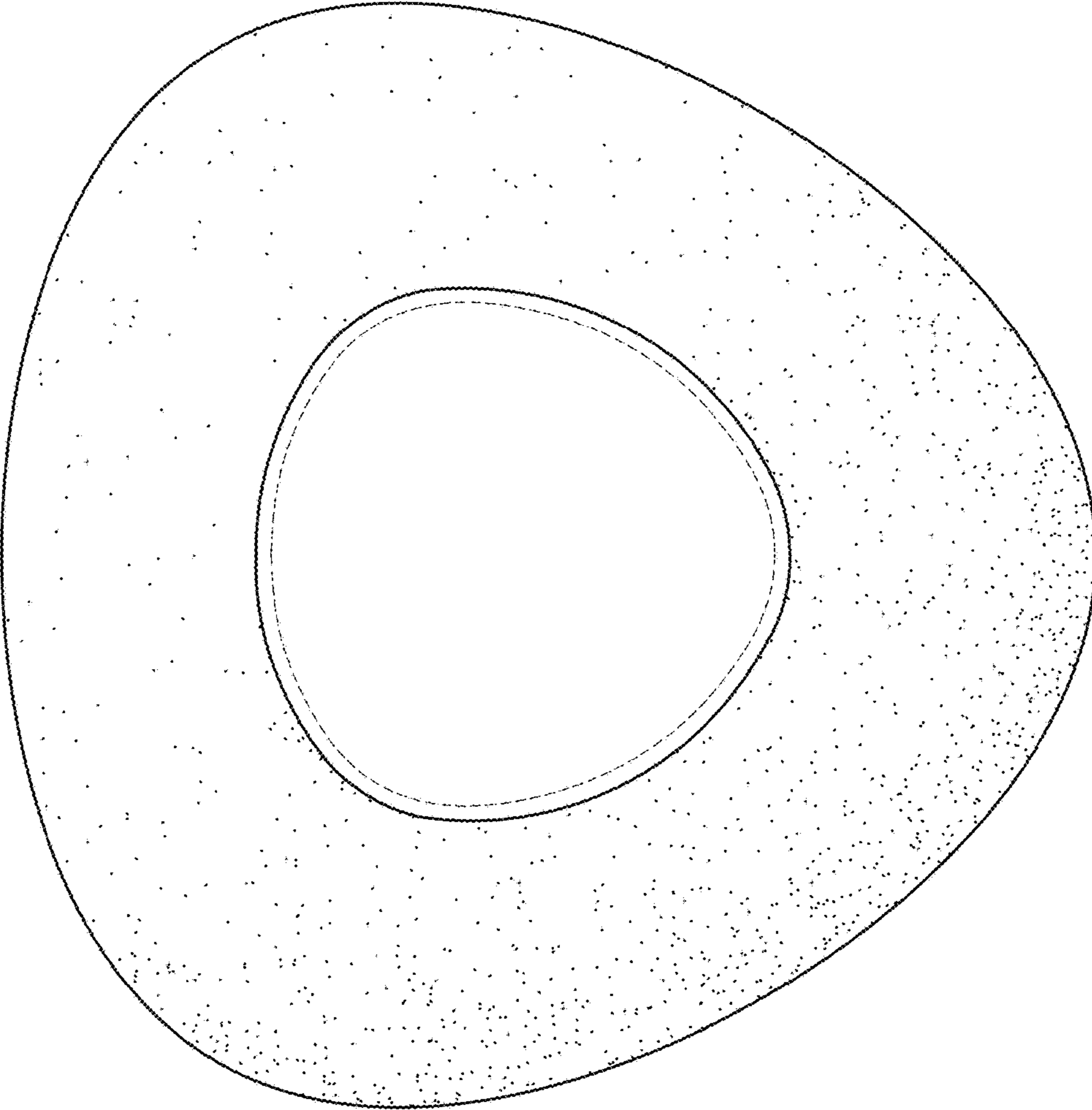


FIG. 7