



US00D858887S

(12) **United States Design Patent** (10) **Patent No.:** **US D858,887 S**  
**Macaluso et al.** (45) **Date of Patent:** **\*\* Sep. 3, 2019**

(54) **COSMETIC COMPACT**

(71) Applicant: **The Burt's Bees Products Company**,  
Oakland, CA (US)

(72) Inventors: **Jennie Macaluso**, Durham, NC (US);  
**Lindsay Roberson**, Durham, NC (US)

(73) Assignee: **The Clorox Company**, Oakland, CA  
(US)

(\*\*) Term: **15 Years**

(21) Appl. No.: **29/602,005**

(22) Filed: **Apr. 27, 2017**

(51) **LOC (12) Cl.** ..... **28-03**

(52) **U.S. Cl.**  
USPC ..... **D28/78**

(58) **Field of Classification Search**  
USPC ..... D9/503-505, 722, 529, 737, 756, 759;  
D3/295; D28/64.1, 76-84; D19/103, 106  
(Continued)

(56) **References Cited**

**U.S. PATENT DOCUMENTS**

D65,681 S \* 9/1924 Worth ..... D28/91  
1,612,409 A \* 12/1926 Anderson ..... A45D 33/025  
132/295

(Continued)

**FOREIGN PATENT DOCUMENTS**

EM 002679530-0001 10/2010  
EM 001764150-0001 4/2015

**OTHER PUBLICATIONS**

Burt's Bees Blush Review and Swatches, Musings of a Muse, article published on Sep. 5, 2017, retrieved on Aug. 2, 2018, retrieved from the Internet URL: <https://www.musingsofamuse.com/2017/09/burts-bees-blush-review-swatches.html>.\*

*Primary Examiner* — Jennifer Rivard  
*Assistant Examiner* — Alison M Ofstun  
(74) *Attorney, Agent, or Firm* — Ann Lee

(57) **CLAIM**

The ornamental design for a cosmetic compact, as shown and described.

**DESCRIPTION**

FIG. 1 is a perspective view of a first embodiment of a cosmetic compact showing our new design, shown in closed position;

FIG. 2 is a top view thereof;

FIG. 3 is a bottom view thereof;

FIG. 4 is a left side view thereof;

FIG. 5 is a right side view thereof;

FIG. 6 is a front side view thereof;

FIG. 7 is a back side view thereof;

FIG. 8 is a perspective view of the cosmetic container of FIG. 1 showing the lid in open position; and

FIG. 9 is a perspective view of a second embodiment of a cosmetic compact showing our new design, shown with the lid in an open position.

FIG. 10 is a perspective view of a third embodiment of a cosmetic compact showing our new design, shown in closed position;

FIG. 11 is a top view thereof;

FIG. 12 is a bottom view thereof;

FIG. 13 is a left side view thereof;

FIG. 14 is a right side view thereof;

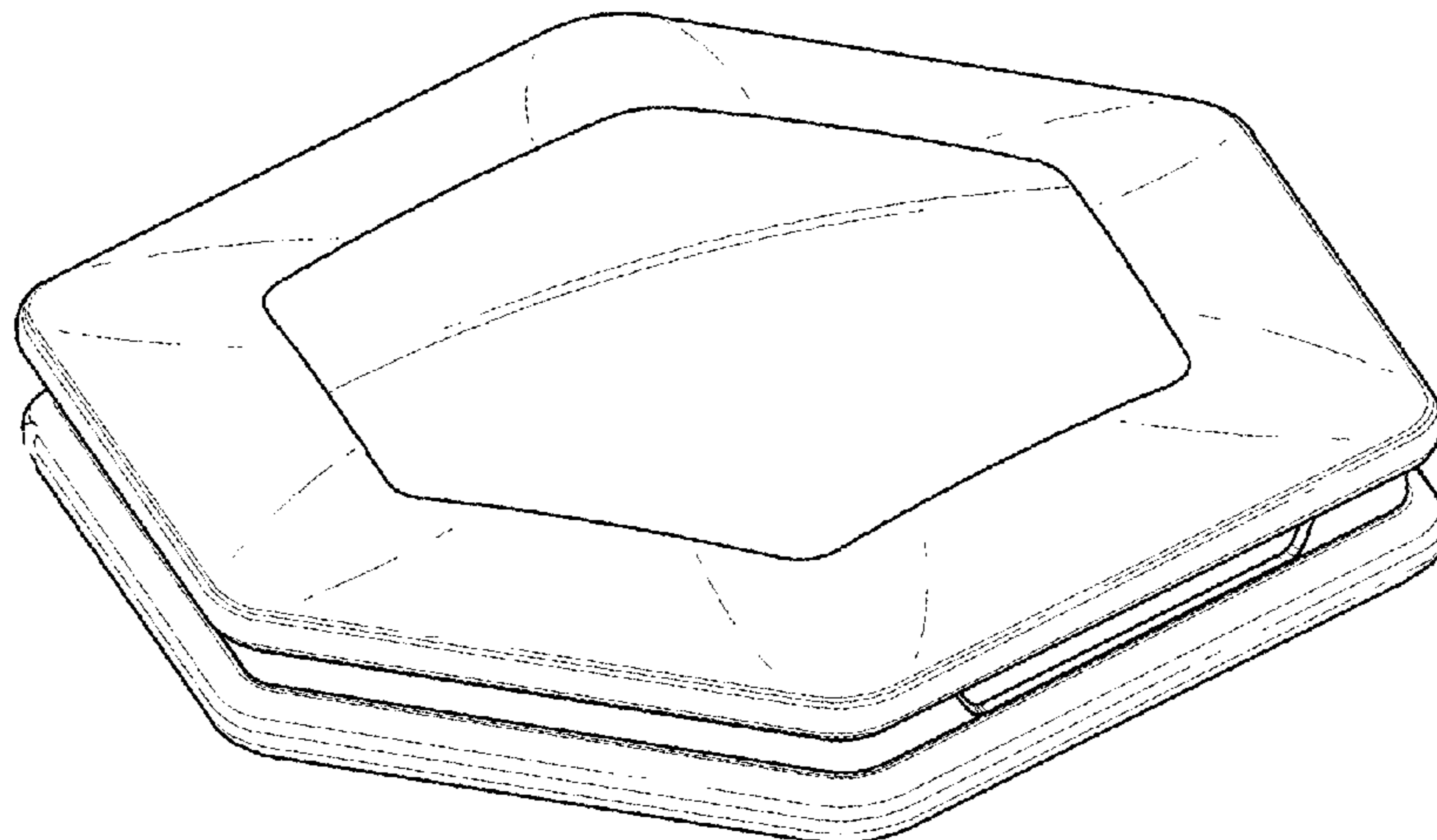
FIG. 15 is a front side view thereof;

FIG. 16 is a back side view thereof; and,

FIG. 17 is a perspective view of the cosmetic container of FIG. 10 showing the lid and the middle tray in open position.

The broken lines in the figures represent portions of the article which form no part of the claimed design. The dot-dash lines represent a boundary to the claimed design and form no part thereof.

**1 Claim, 12 Drawing Sheets**



(58) **Field of Classification Search**

CPC ..... A45D 33/006; A45D 33/003; A45D  
 33/04-33; A45D 33/025; A45D 33/02;  
 A45D 33/20; A45D 33/22; A45D 33/24;  
 A45D 33/26; A45D 33/28; A45D 33/18;  
 A45D 40/22; A45D 40/222; A45D 40/24  
 See application file for complete search history.

(56) **References Cited**

U.S. PATENT DOCUMENTS

1,735,483 A \* 11/1929 Wacker ..... A45D 33/006  
 132/296  
 1,778,575 A \* 10/1930 Wacker ..... A45D 33/006  
 132/301  
 1,845,507 A \* 2/1932 McAtree ..... A45D 33/006  
 132/296  
 1,875,127 A \* 8/1932 Parkin ..... A45D 33/24  
 132/296  
 1,959,784 A \* 5/1934 Goertz ..... A45D 33/006  
 132/303

2,046,133 A \* 6/1936 Rathbun ..... B65D 43/168  
 16/DIG. 19  
 D270,579 S \* 9/1983 Numbers ..... D28/78  
 D276,470 S \* 11/1984 Lo ..... D28/64.3  
 D309,043 S \* 7/1990 Bakic ..... D28/78  
 D309,511 S \* 7/1990 Bertlin ..... D28/78  
 D313,288 S \* 12/1990 Bakic ..... D28/77  
 D314,066 S \* 1/1991 Bakic ..... D28/77  
 D318,144 S \* 7/1991 Scarpa ..... D28/78  
 D456,565 S 4/2002 Scarpelli  
 D544,342 S \* 6/2007 Liebe ..... D28/78  
 D552,982 S \* 10/2007 Liebe ..... D28/78  
 D631,608 S 1/2011 Pires et al.  
 D642,741 S 8/2011 Greiner  
 D667,589 S 9/2012 Greiner  
 D681,877 S 5/2013 Curry et al.  
 D738,572 S 9/2015 Kalyanpur et al.  
 D754,402 S 4/2016 Kalyanpur et al.  
 D756,037 S 5/2016 Schlatter et al.  
 D759,896 S \* 6/2016 Wawoe ..... D28/78

\* cited by examiner

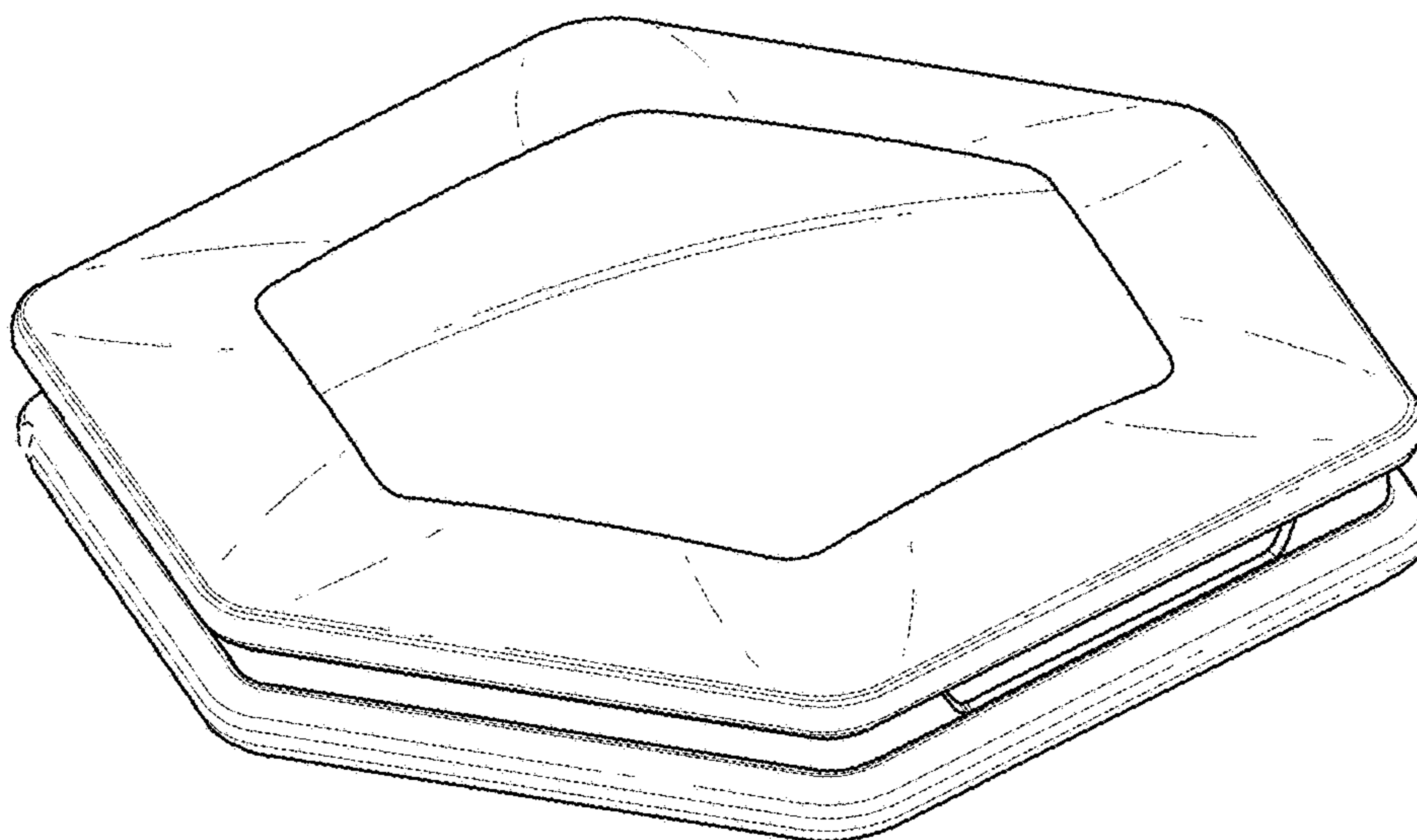


FIG. 1

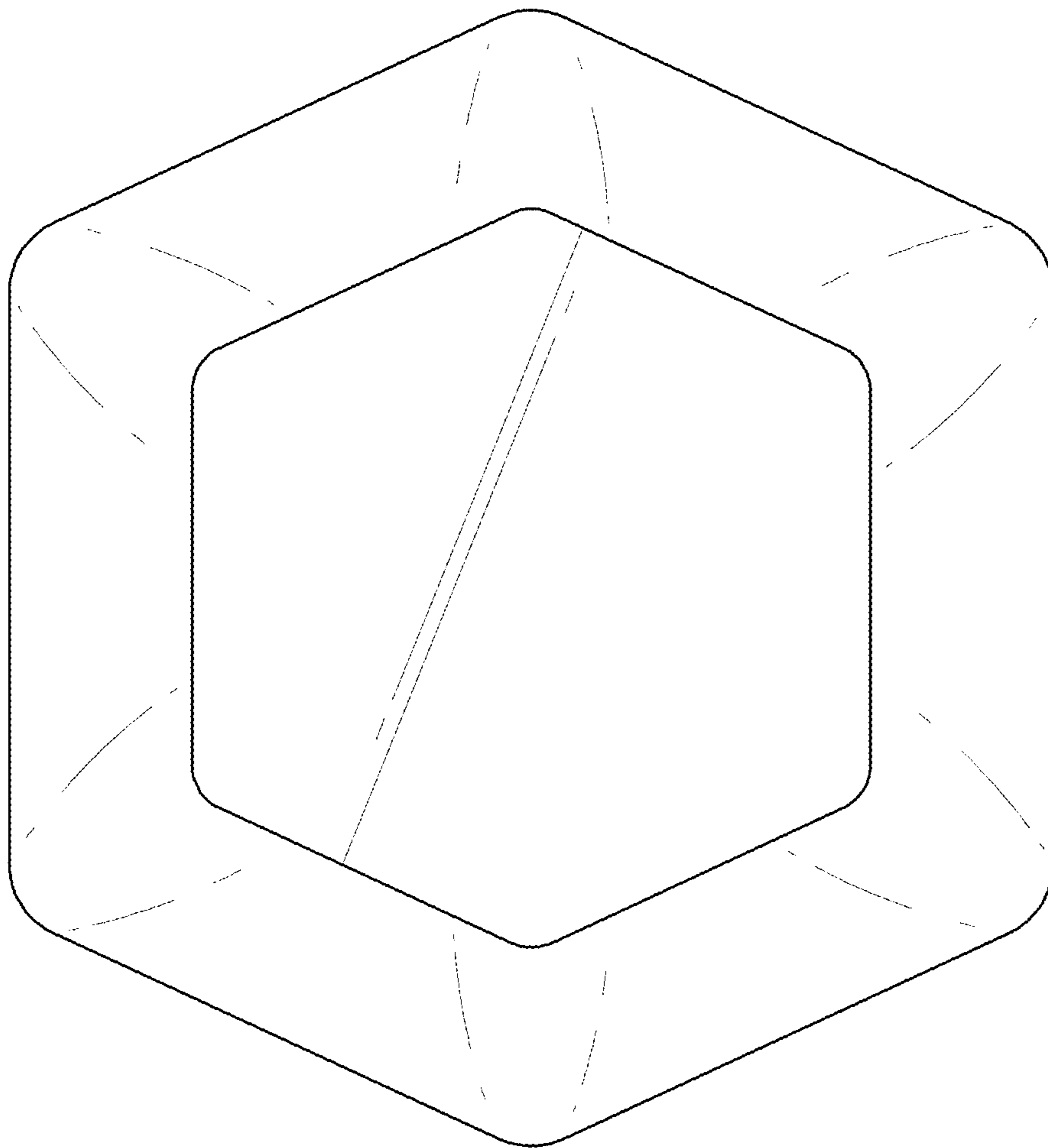


FIG. 2

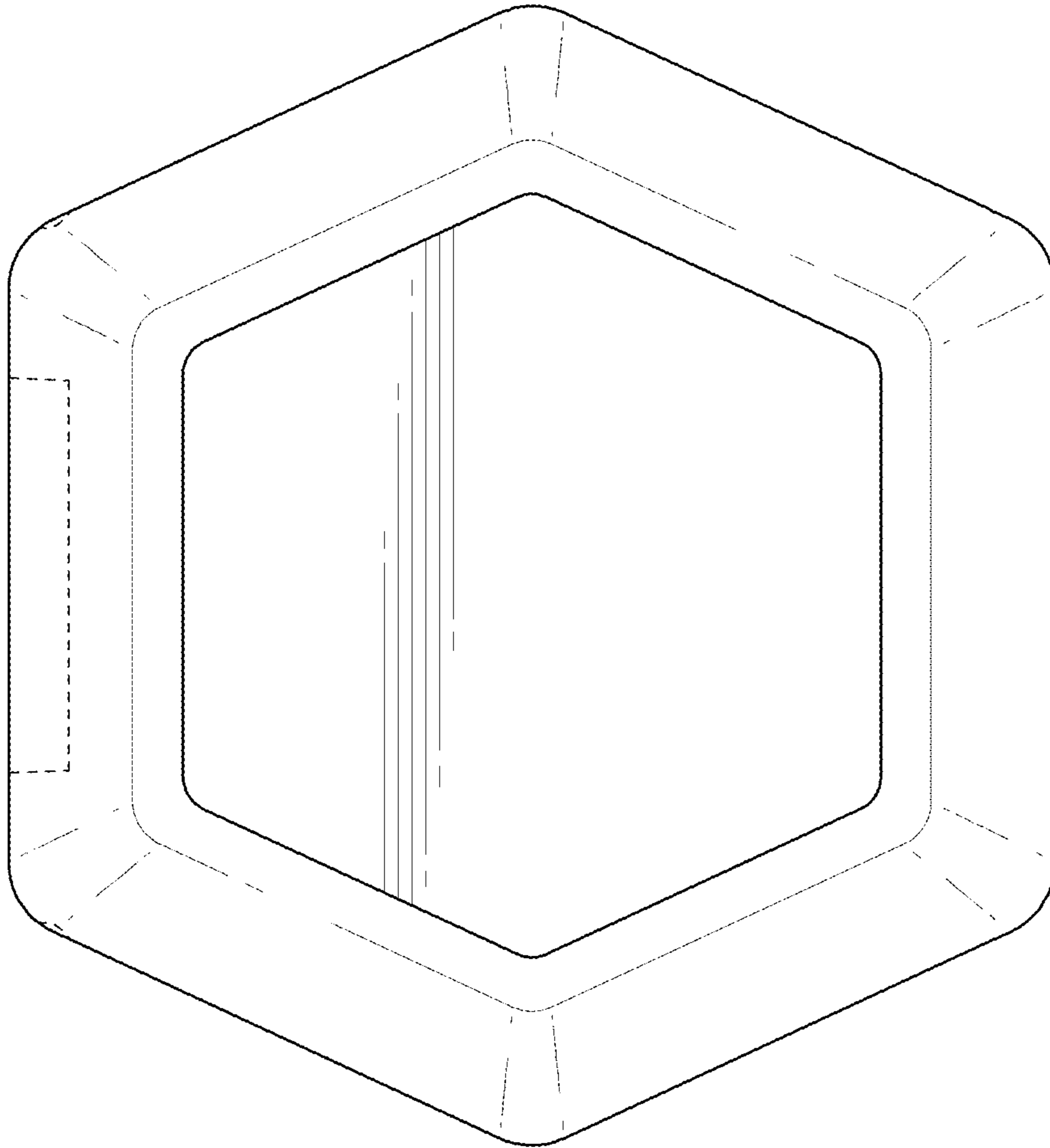


FIG. 3

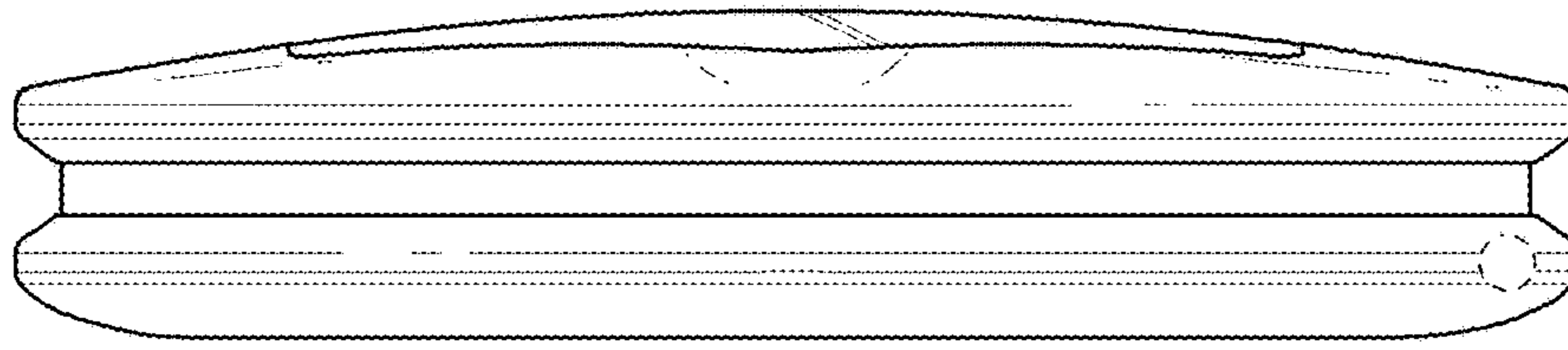


FIG. 4

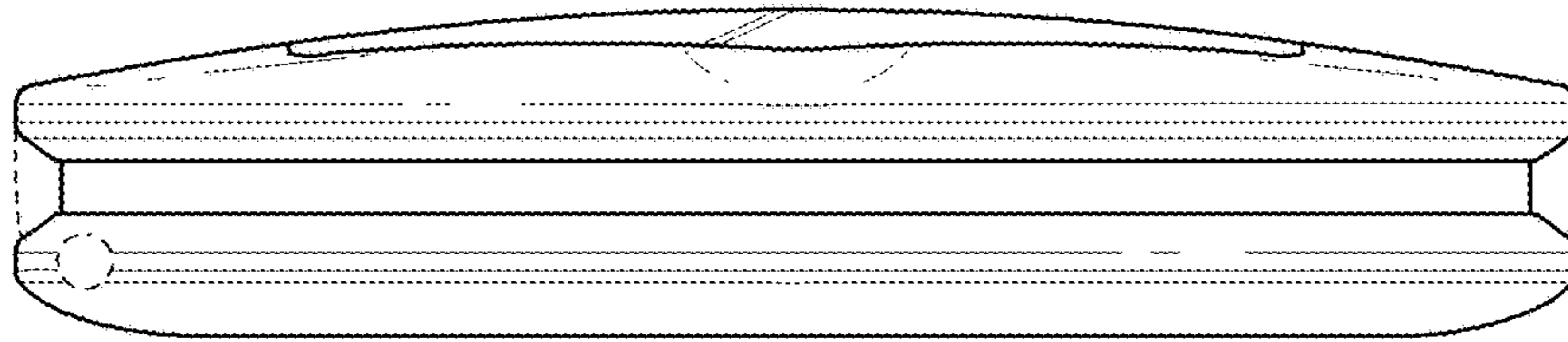


FIG. 5

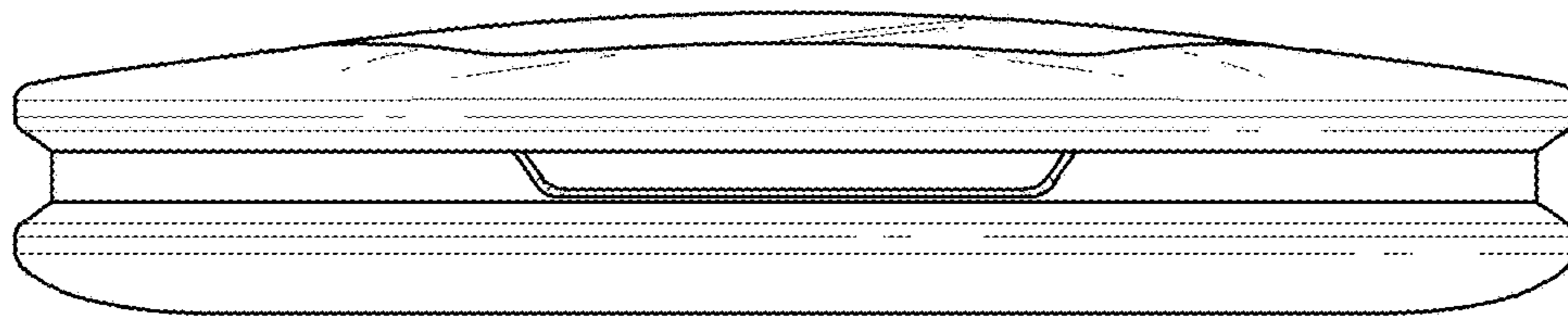


FIG. 6

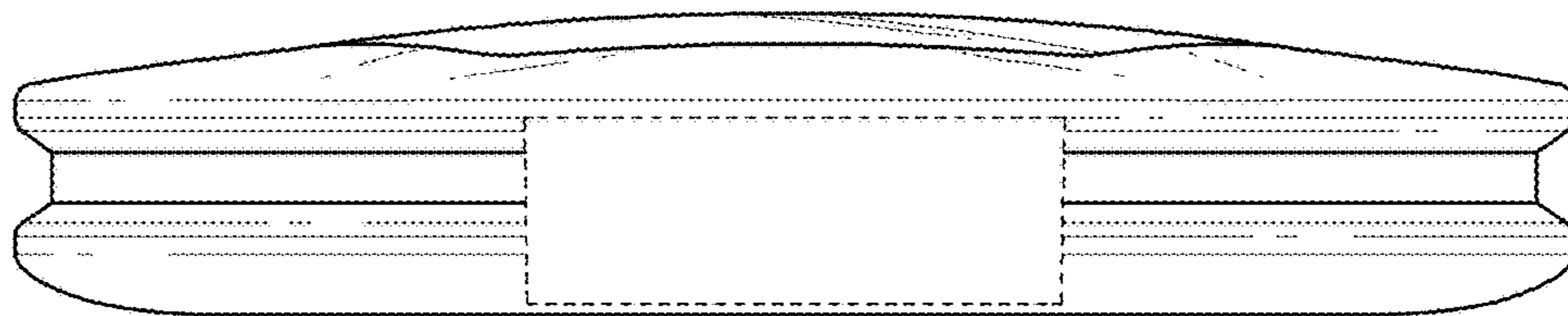


FIG. 7

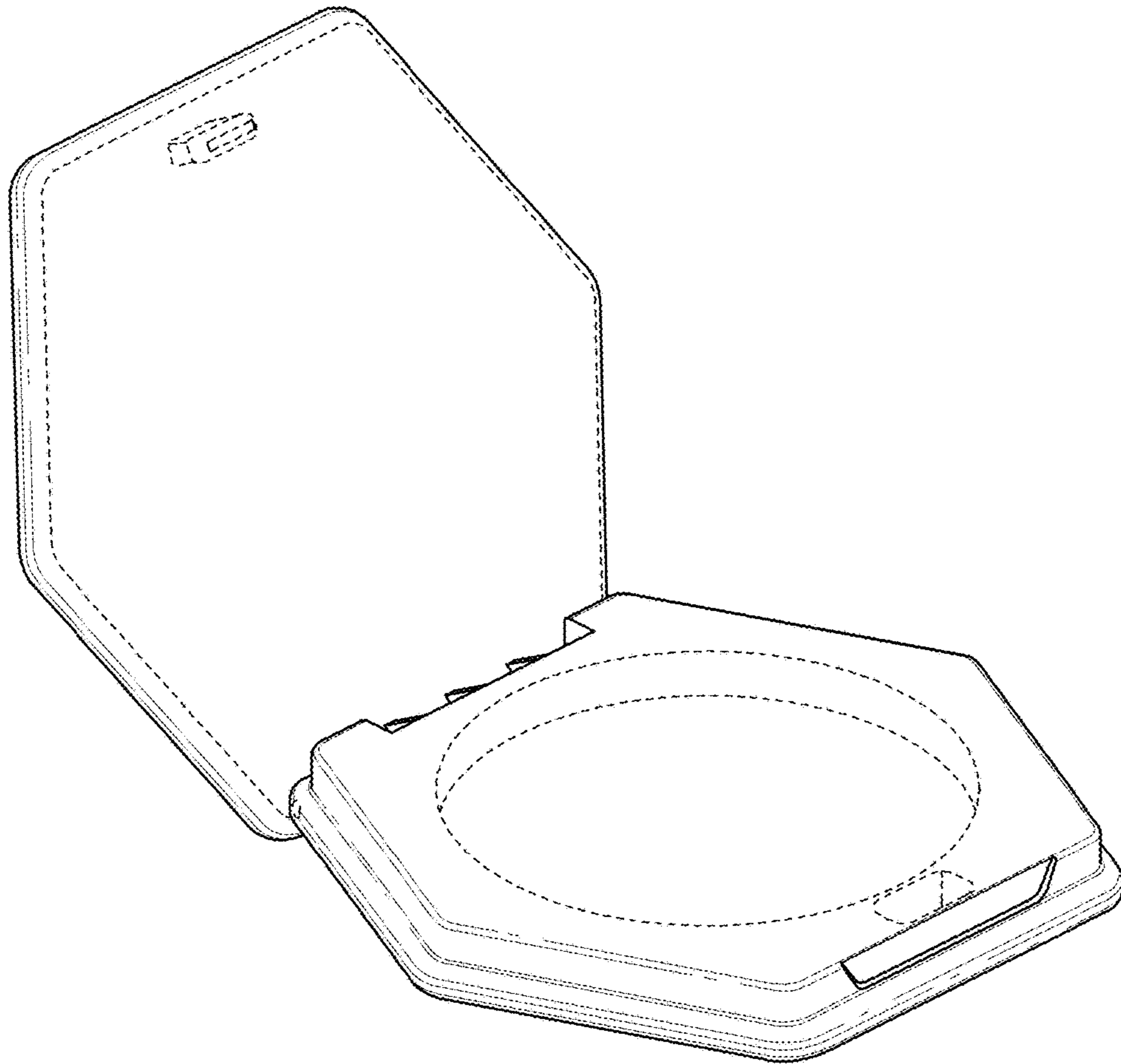


FIG. 8

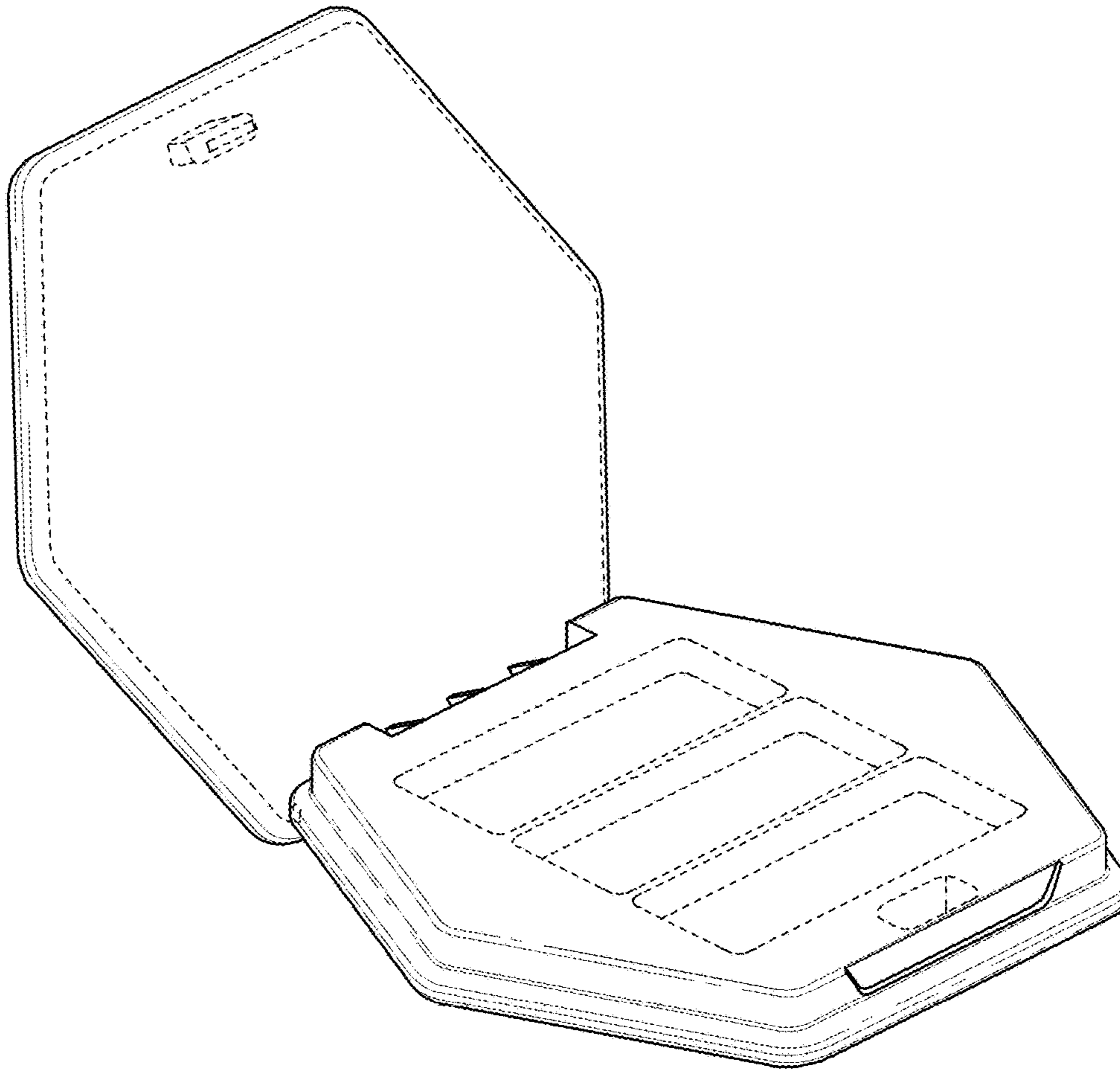


FIG. 9



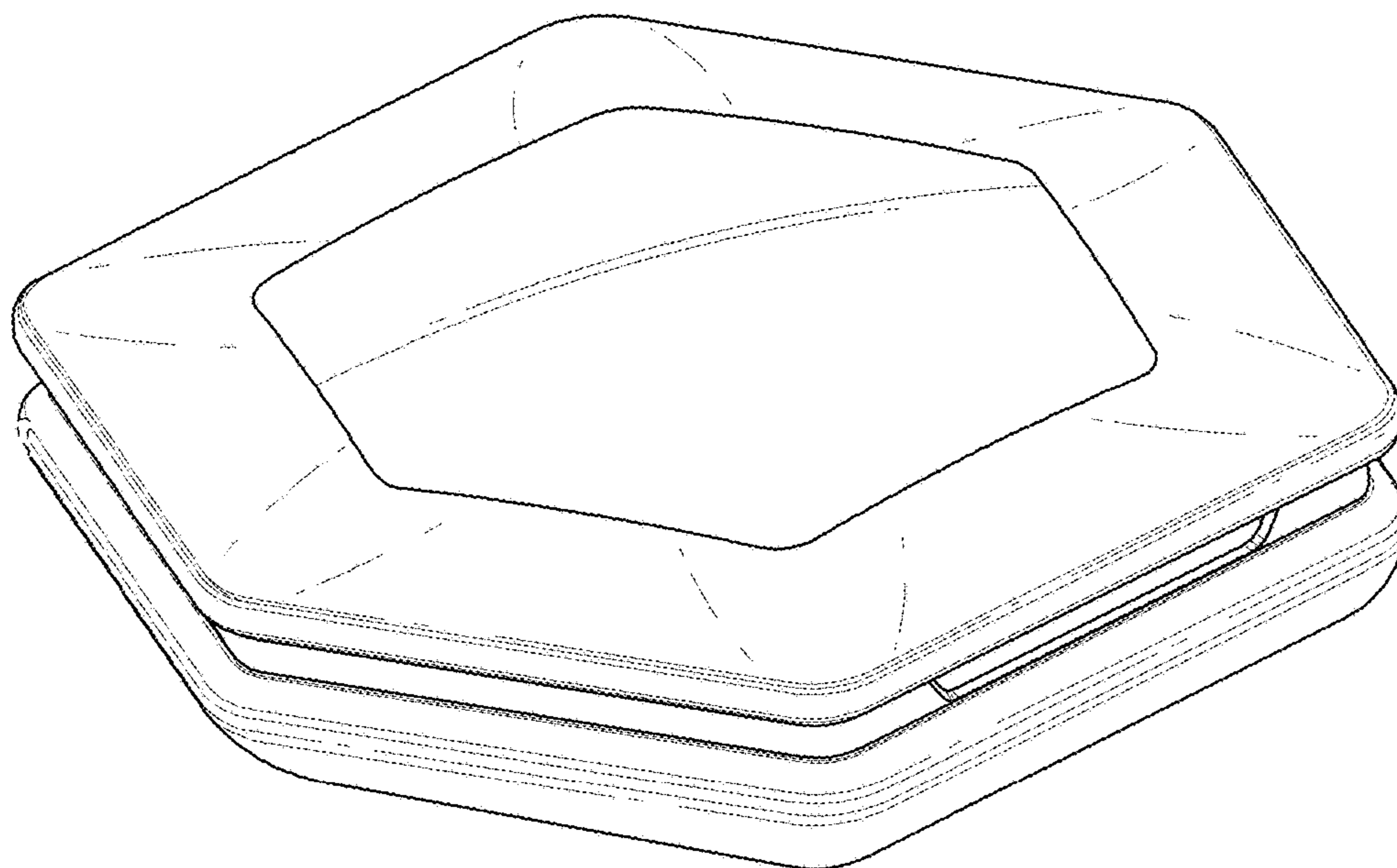


FIG. 10

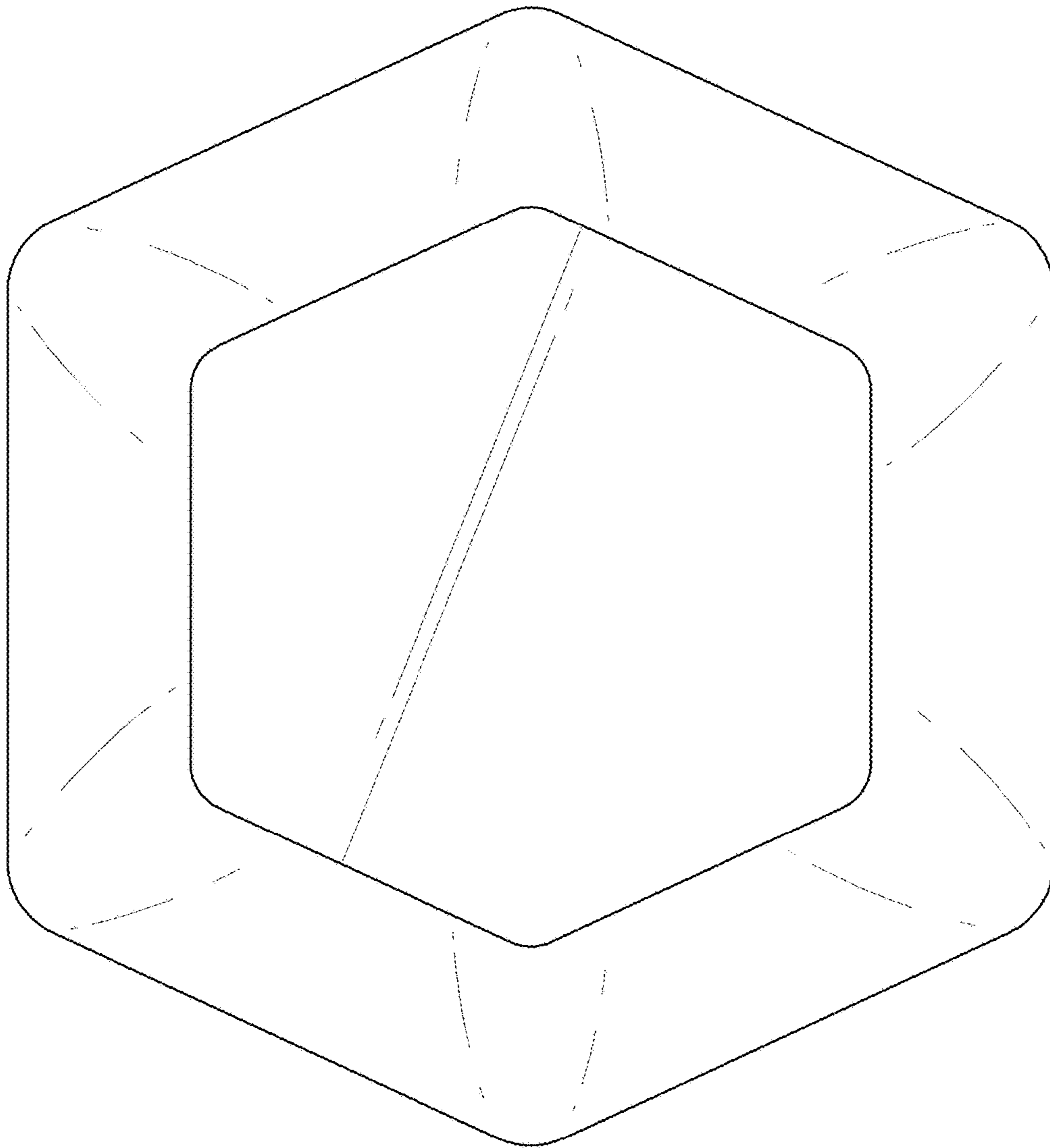


FIG. 11

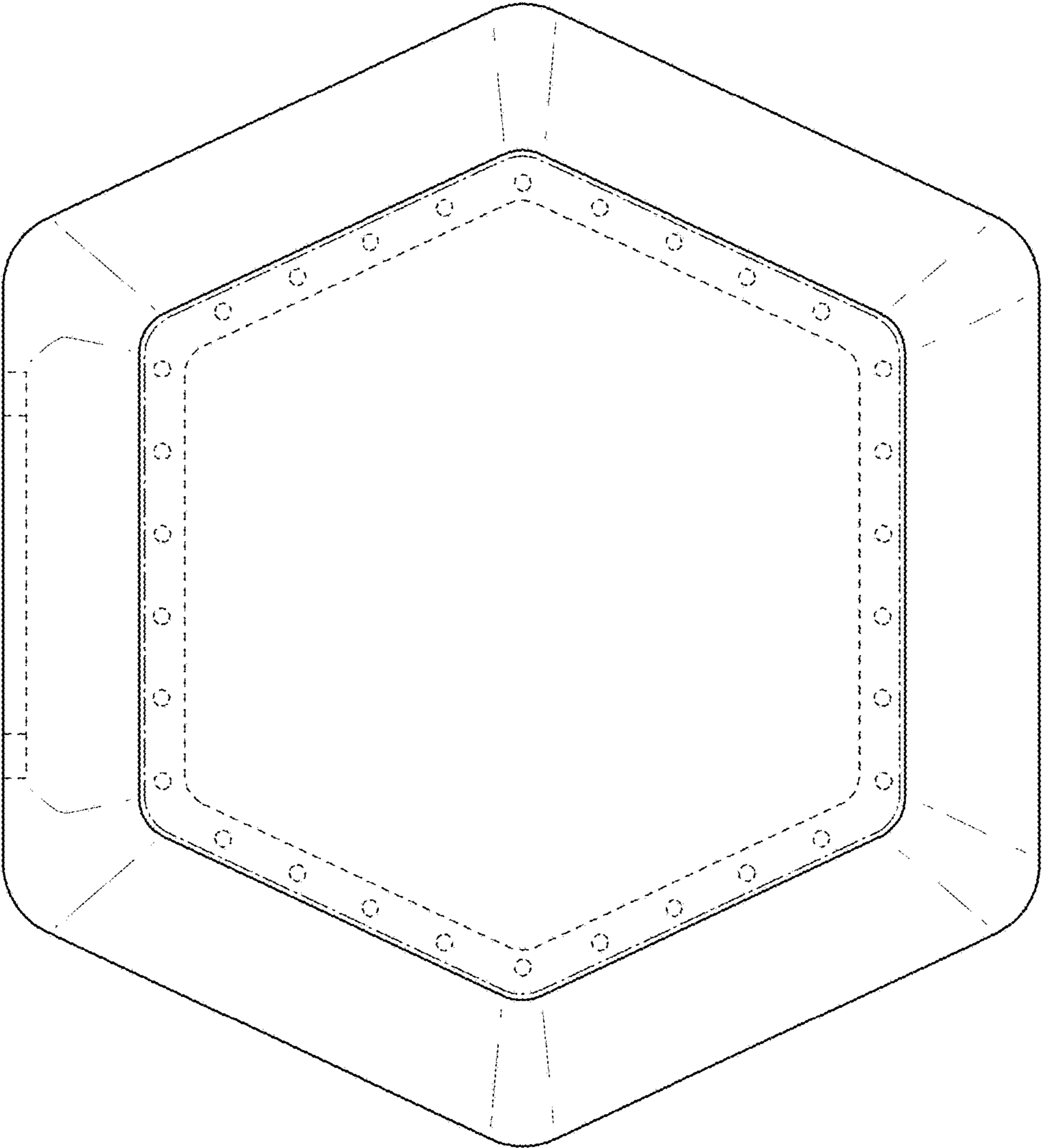


FIG. 12

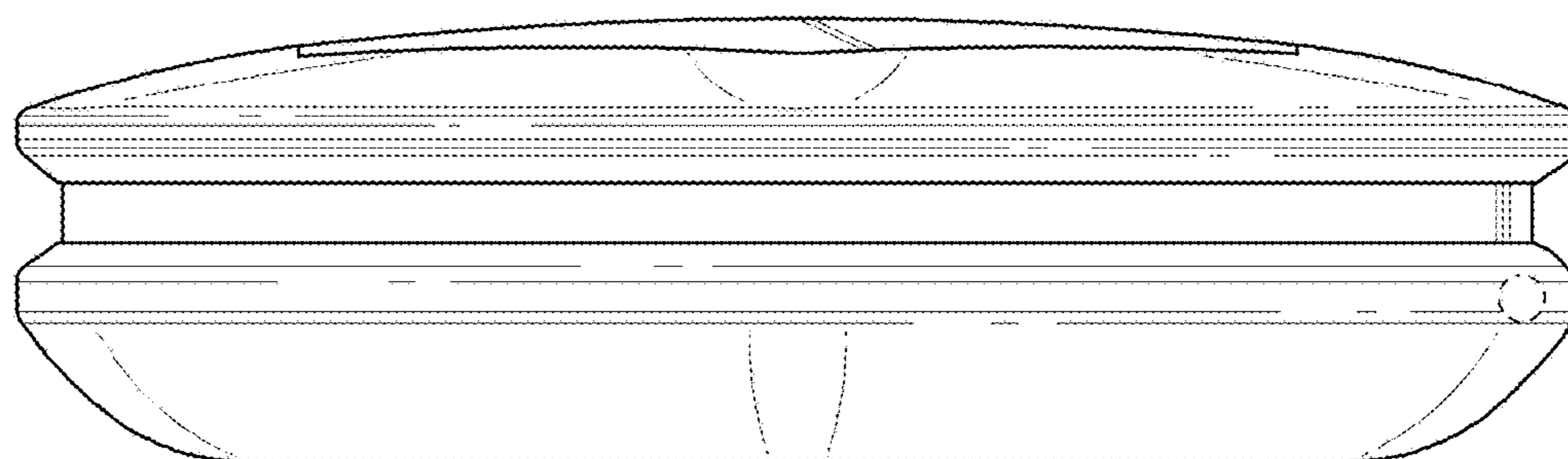


FIG. 13

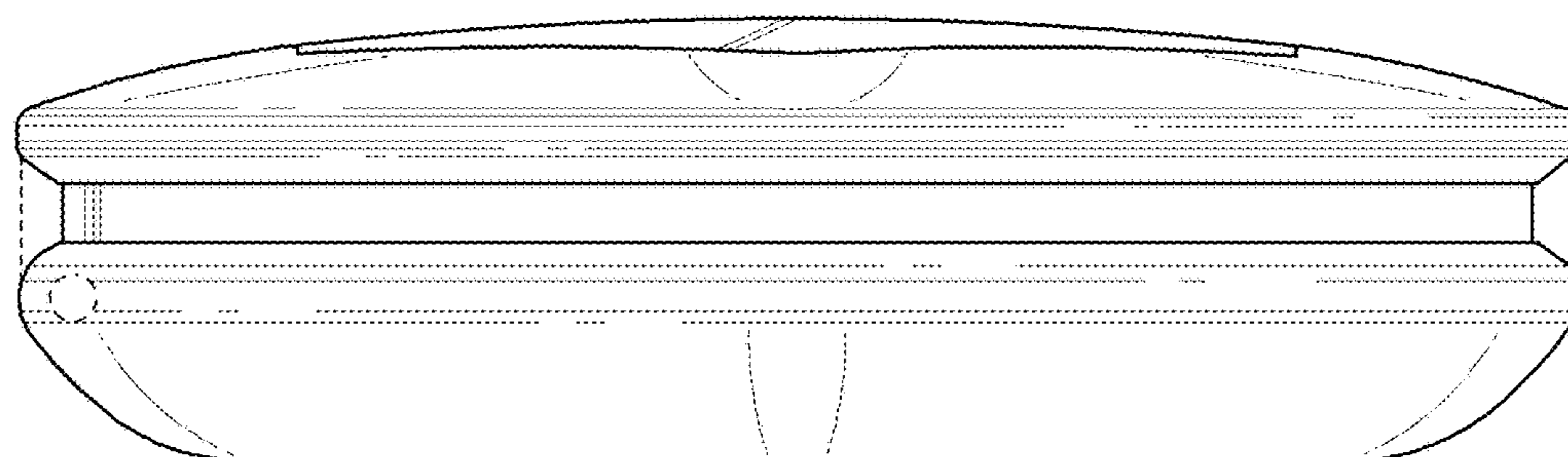


FIG. 14

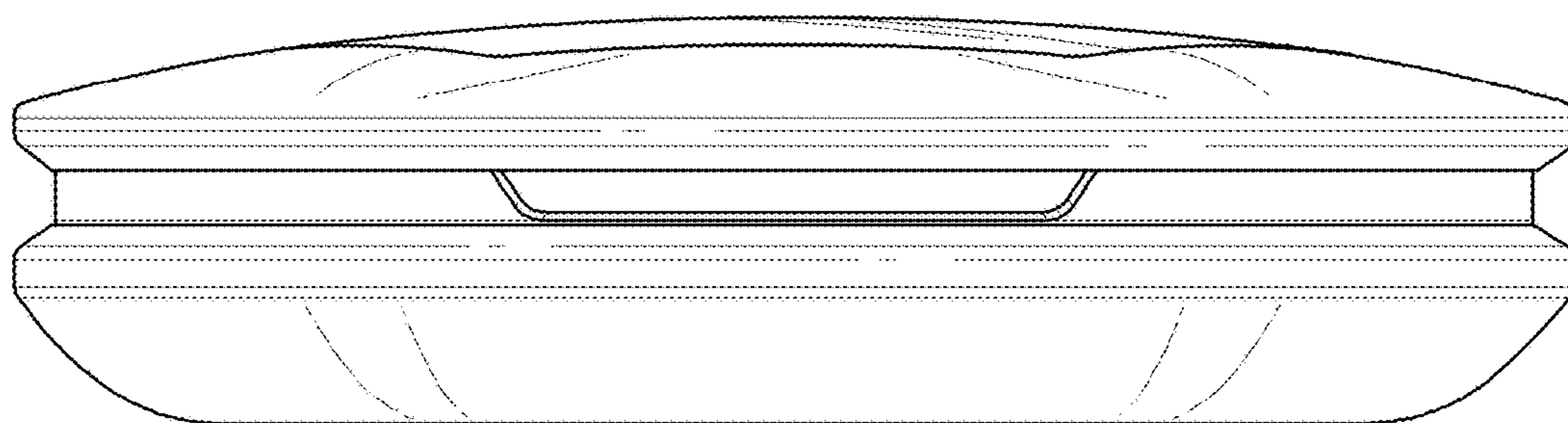


FIG. 15

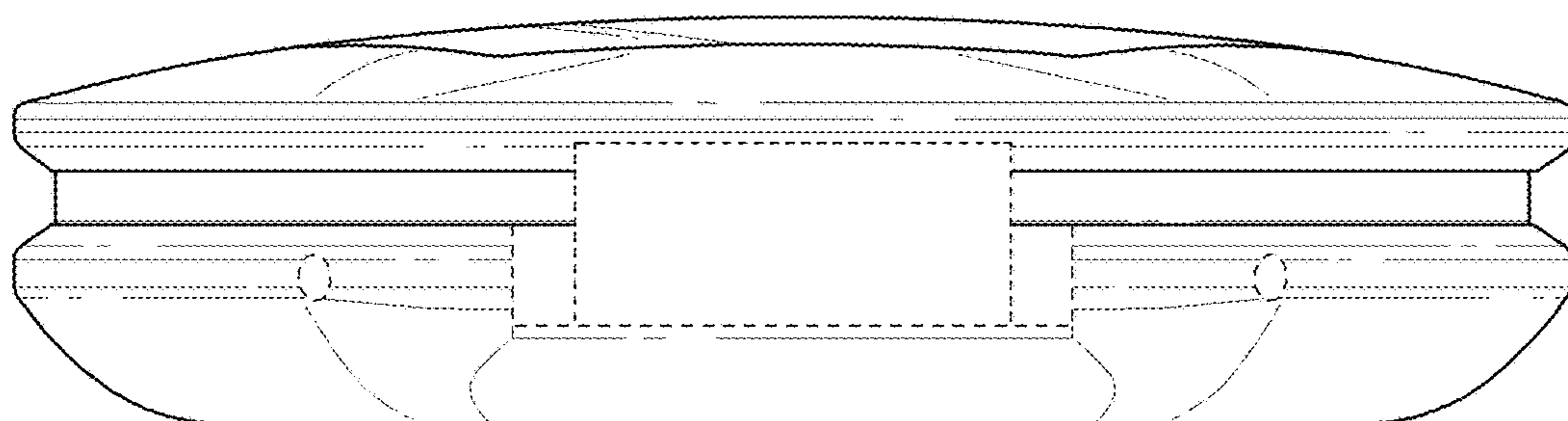


FIG. 16

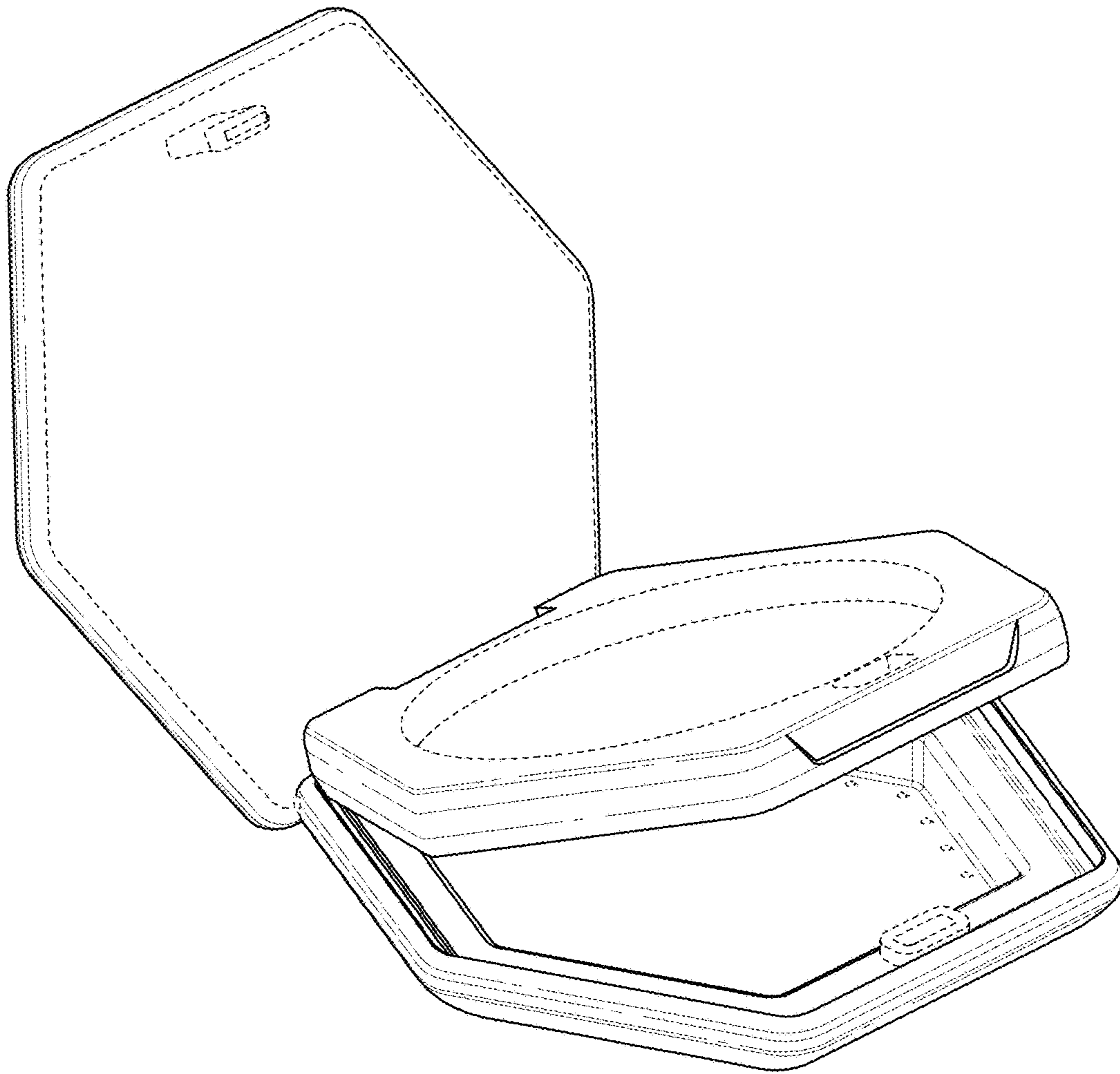


FIG. 17