



US00D858885S

(12) **United States Design Patent**
Wu et al.

(10) **Patent No.:** **US D858,885 S**

(45) **Date of Patent:** **** Sep. 3, 2019**

(54) **NAIL LAMP**

(71) Applicant: **SHENZHEN HANHUA OPTO CO., LTD**, Shenzhen (CN)

(72) Inventors: **Xiuyan Wu**, Shenzhen (CN); **Taishan Wu**, Shenzhen (CN); **Senhuai Wu**, Shenzhen (CN)

(**) Term: **15 Years**

(21) Appl. No.: **29/688,427**

(22) Filed: **Apr. 22, 2019**

(51) **LOC (12) Cl.** **28-03**

(52) **U.S. Cl.**
USPC **D28/58**

(58) **Field of Classification Search**
USPC D28/58, 54.1
CPC A45D 29/00; A45D 29/18; A45D 29/20;
A45D 2200/205

See application file for complete search history.

(56) **References Cited**

U.S. PATENT DOCUMENTS

D692,617 S *	10/2013	Haile	D28/58
D715,494 S *	10/2014	Kim	D28/54.1
D747,828 S *	1/2016	Vu	D28/54.1
D755,442 S *	5/2016	Jih	D28/54.1
D765,314 S *	8/2016	Loibl	D28/54.1
9,707,537 B2 *	7/2017	Haile	A45D 29/00
D805,692 S *	12/2017	Cheng	D28/58
10,016,043 B1 *	7/2018	Cheng	F26B 9/003
D838,042 S *	1/2019	Ouyang	D28/58
D838,043 S *	1/2019	Ouyang	D28/58
D842,546 S *	3/2019	Ouyang	D28/58

2013/0020509 A1 *	1/2013	Horvath	A45D 29/00 250/492.1
2015/0230582 A1 *	8/2015	Alexander	A45D 29/00 34/239
2016/0095409 A1 *	4/2016	Jih	A45D 29/00 34/202
2016/0353856 A1 *	12/2016	Horvath	A45D 29/22

OTHER PUBLICATIONS

Sunnail Nail gel nail UV varnish lamp, www.isunnail.com, 1 page, downloaded Jun. 9, 2019.*

* cited by examiner

Primary Examiner — Jennifer Rivard

(74) *Attorney, Agent, or Firm* — W&K IP

(57) **CLAIM**

The ornamental design for a nail lamp, as shown and described.

DESCRIPTION

FIG. 1 is a perspective view of a nail lamp showing my new design;

FIG. 2 is second perspective view thereof;

FIG. 3 is a front view thereof;

FIG. 4 is a rear view thereof;

FIG. 5 is a left side view thereof;

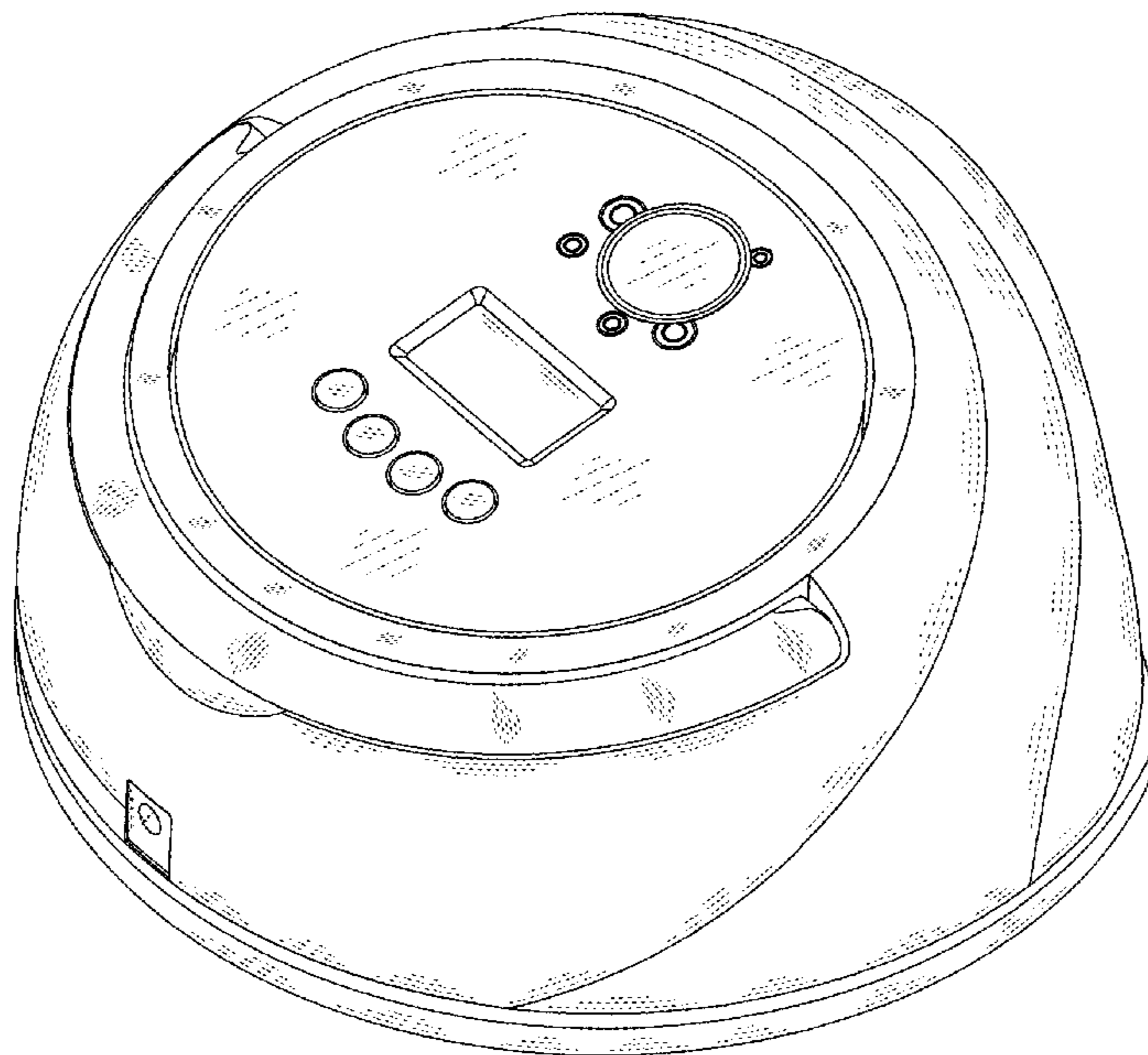
FIG. 6 is a right side view thereof;

FIG. 7 is a top plan view thereof; and,

FIG. 8 is a bottom plan view thereof.

The broken lines illustrate portions of the nail lamp and form no part of the claimed design.

1 Claim, 8 Drawing Sheets



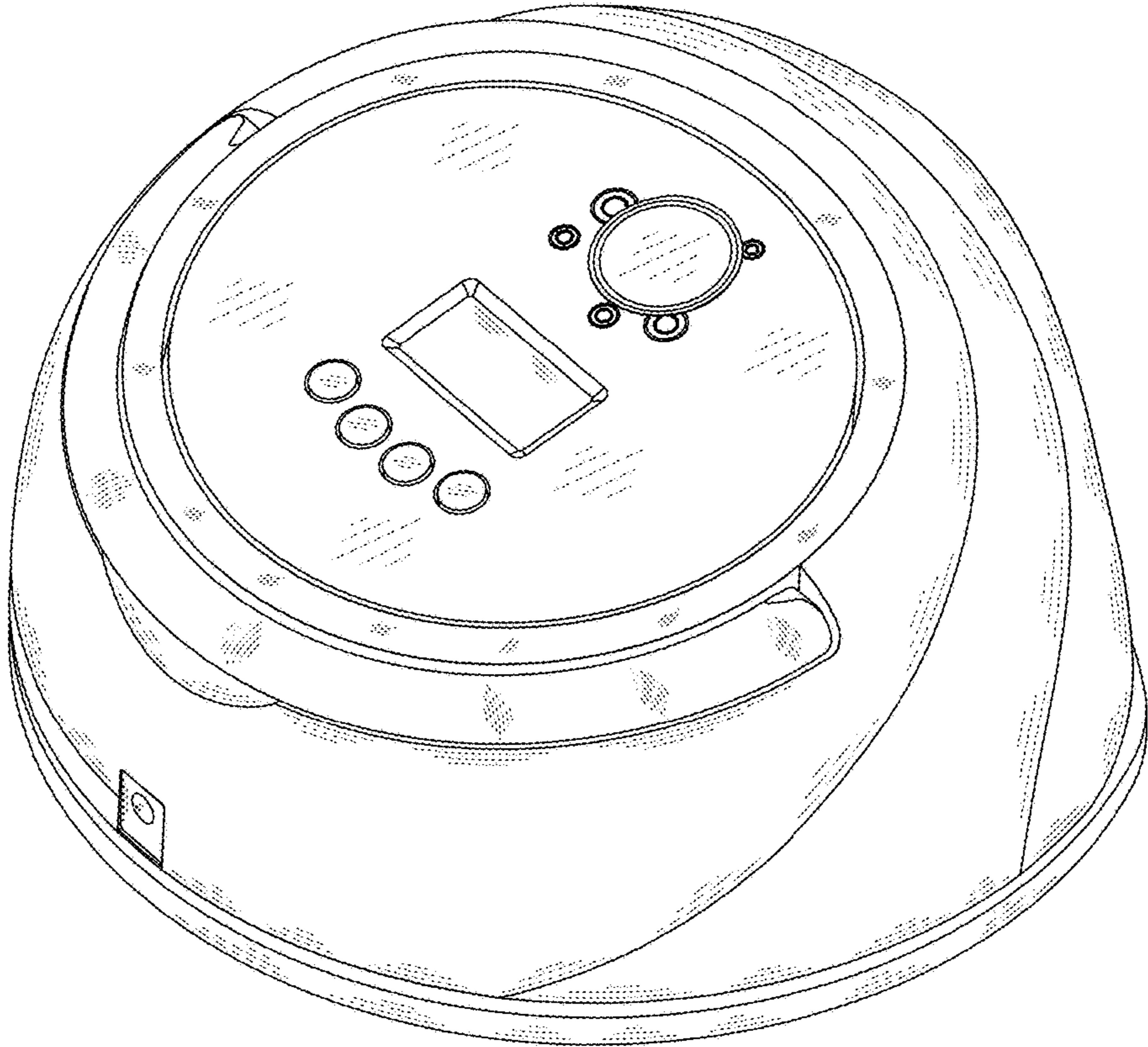


FIG. 1

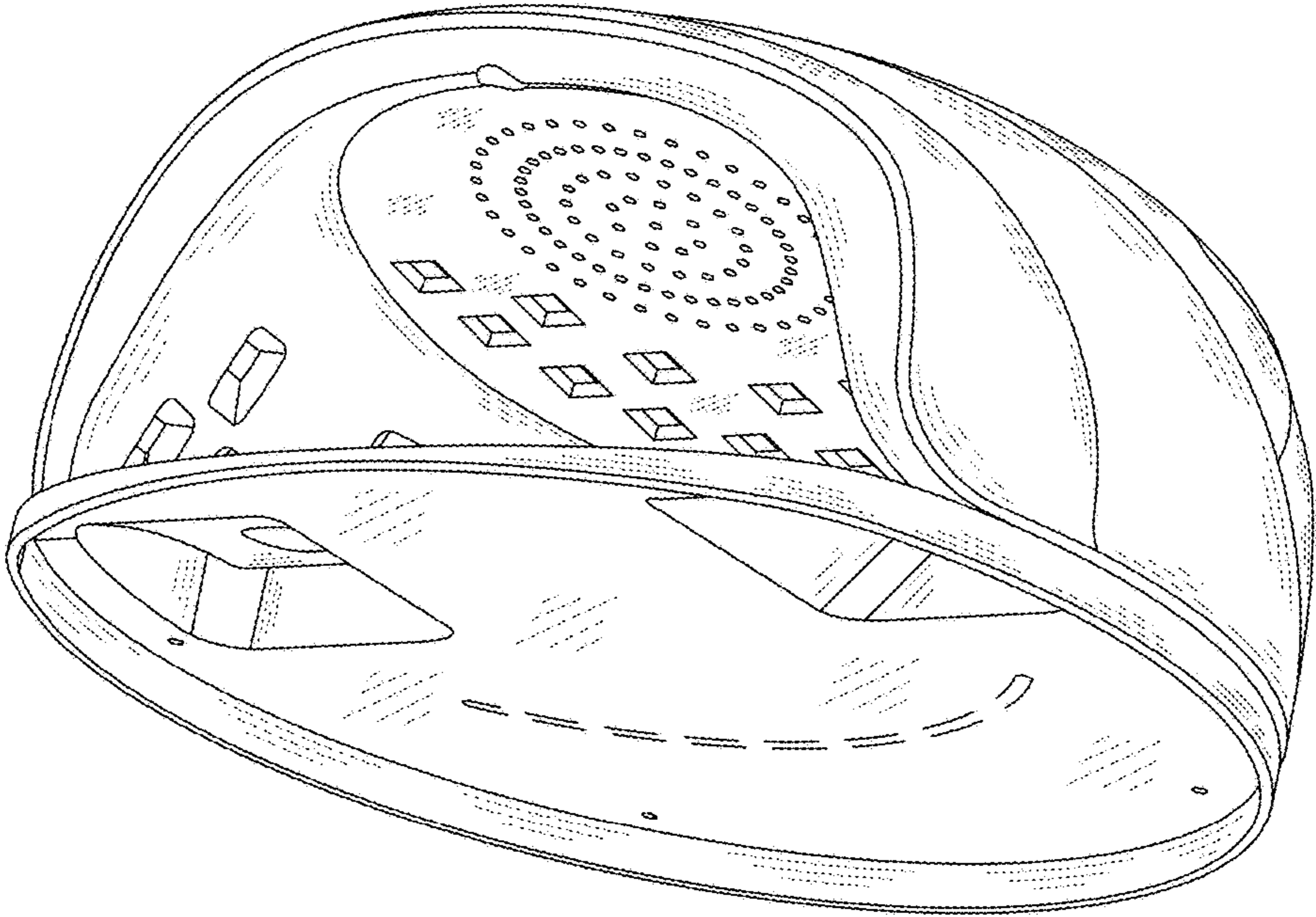


FIG.2

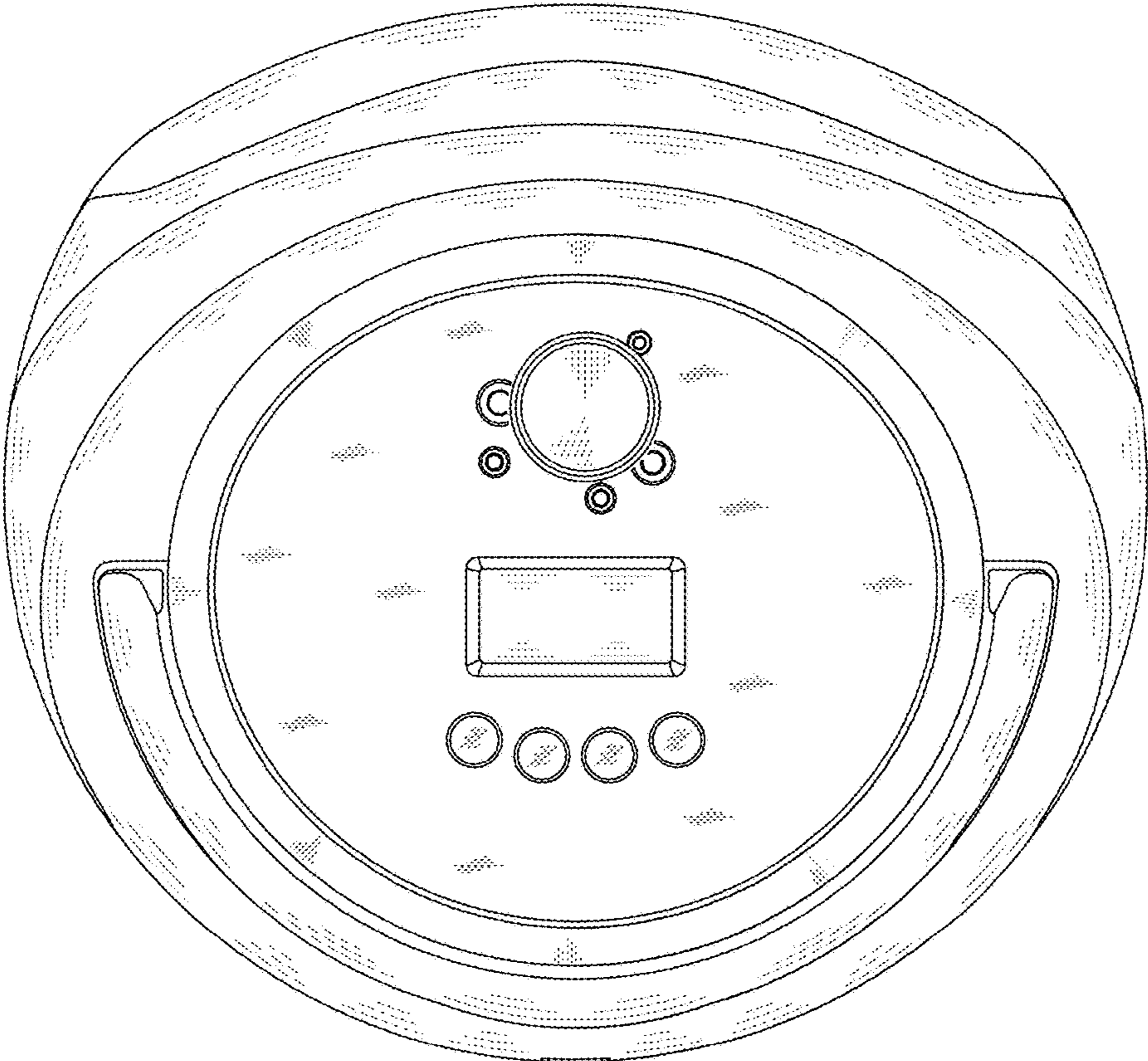


FIG.3

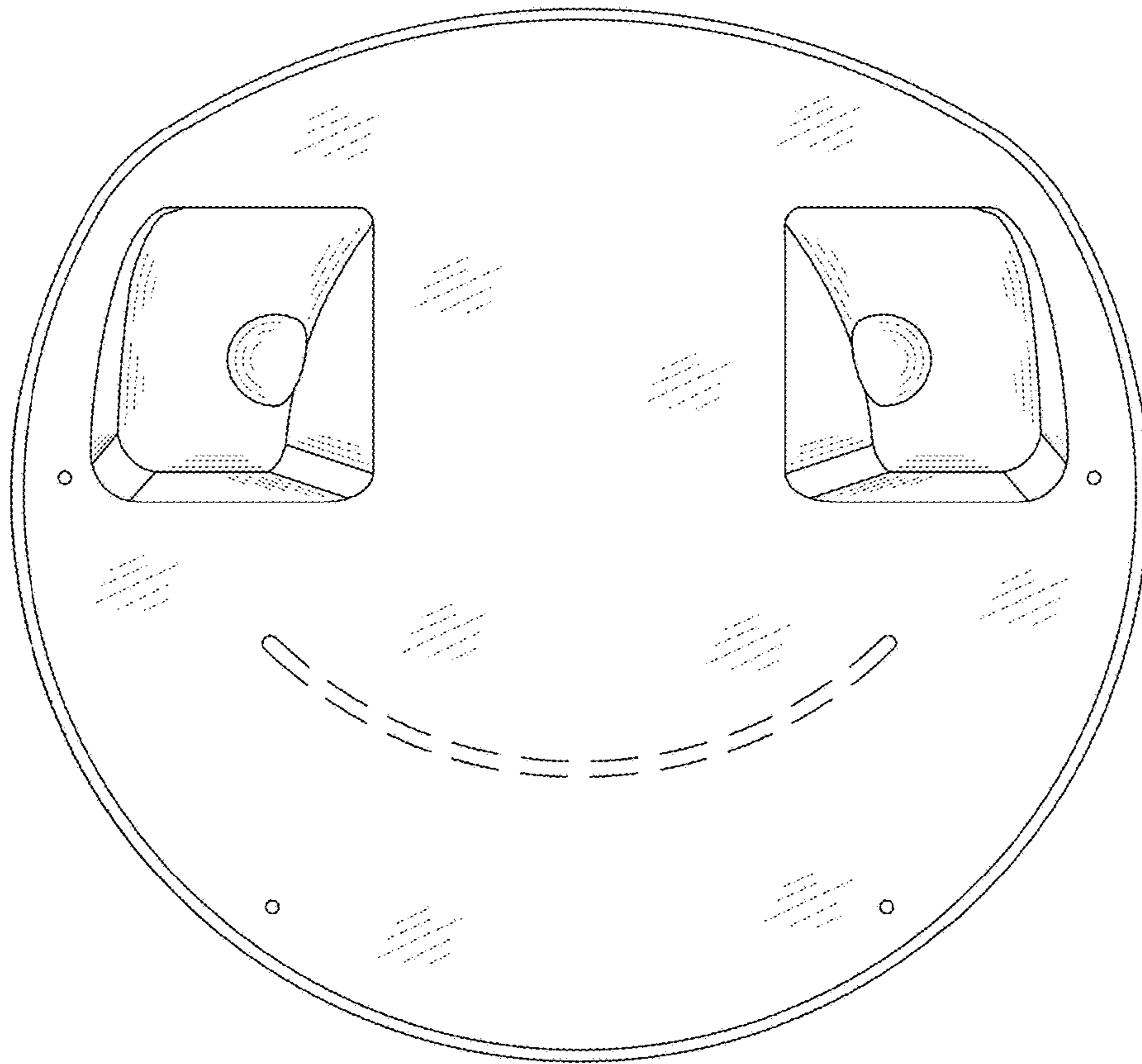


FIG.4

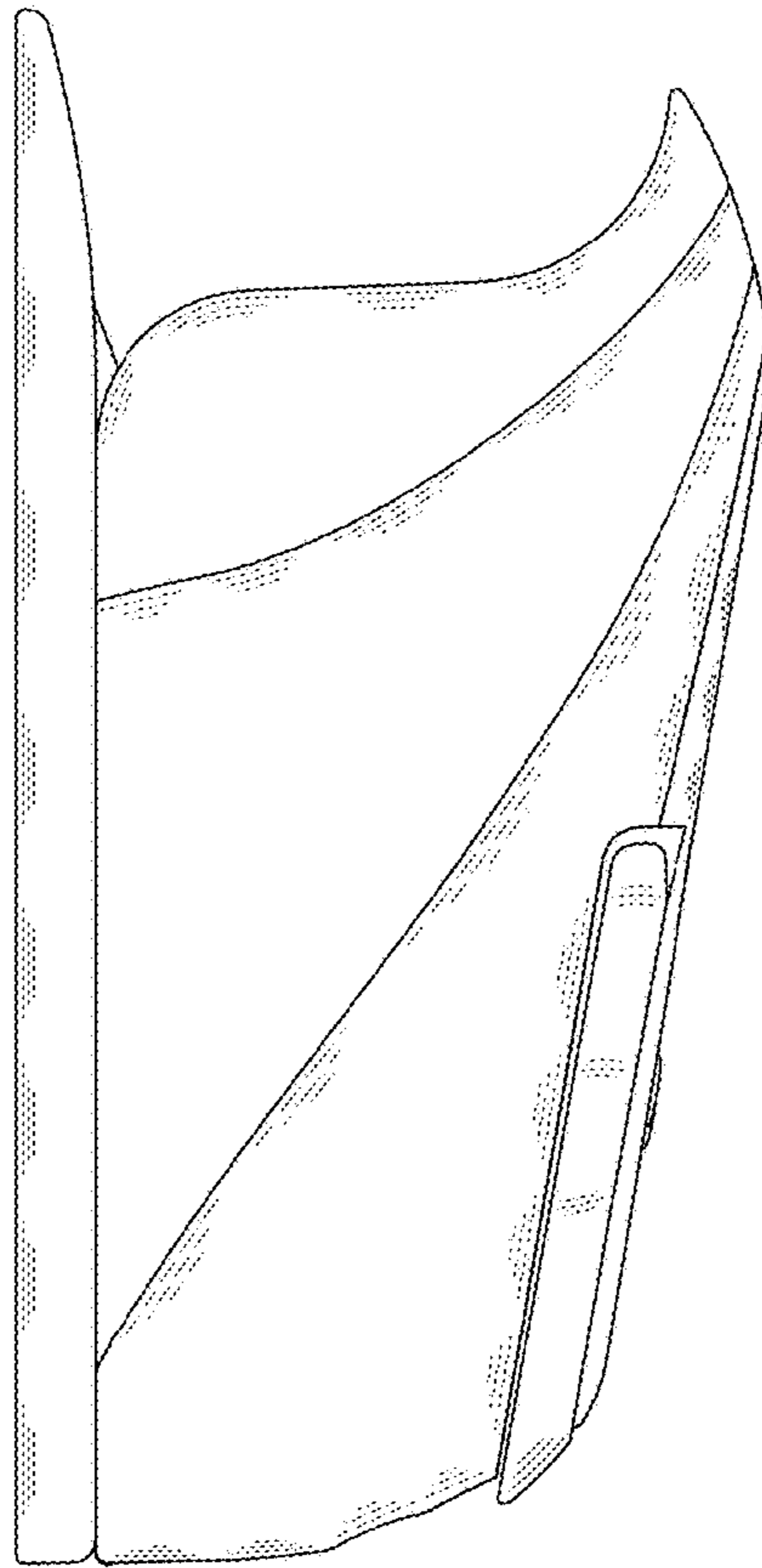


FIG.5

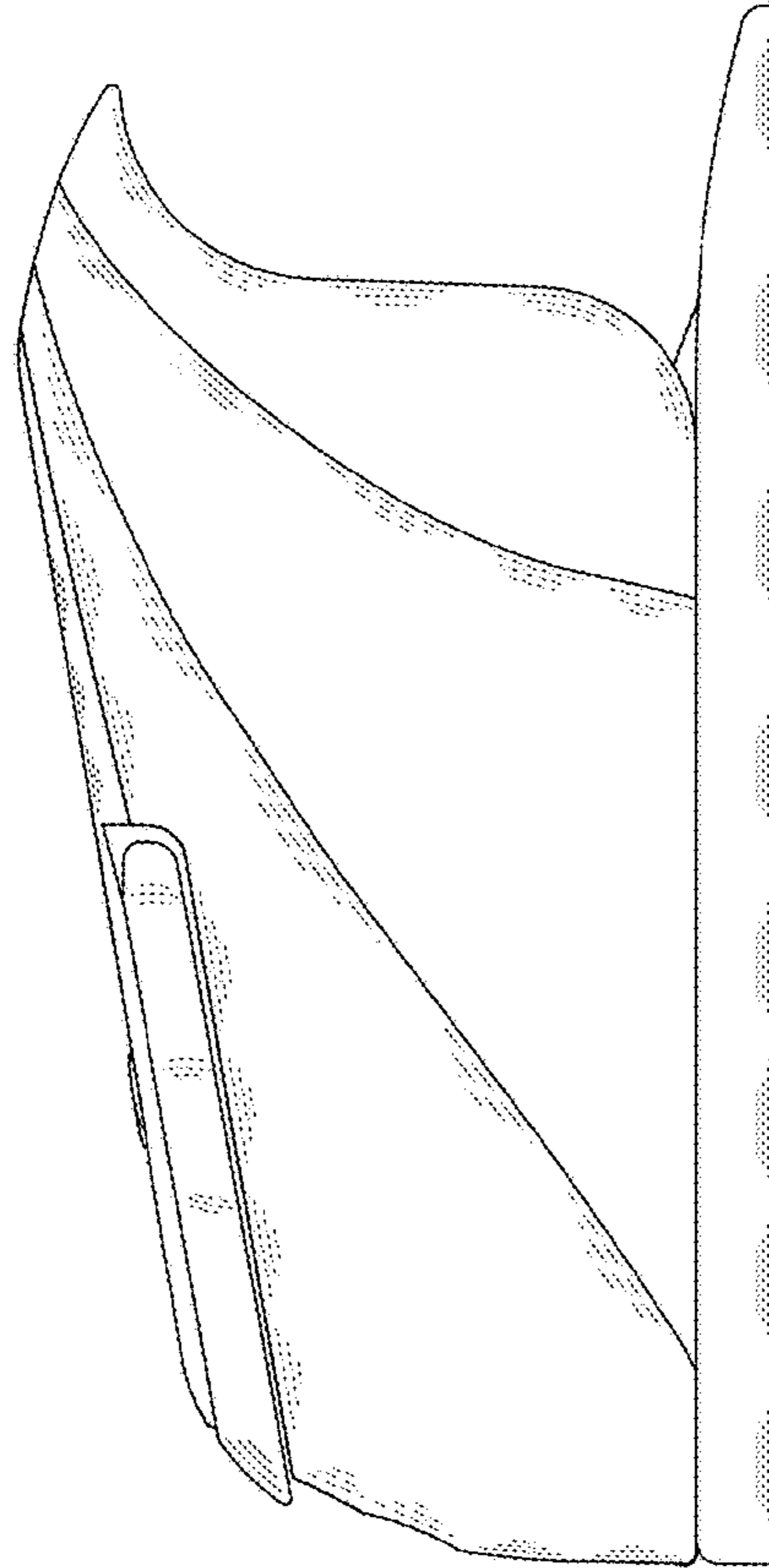


FIG.6

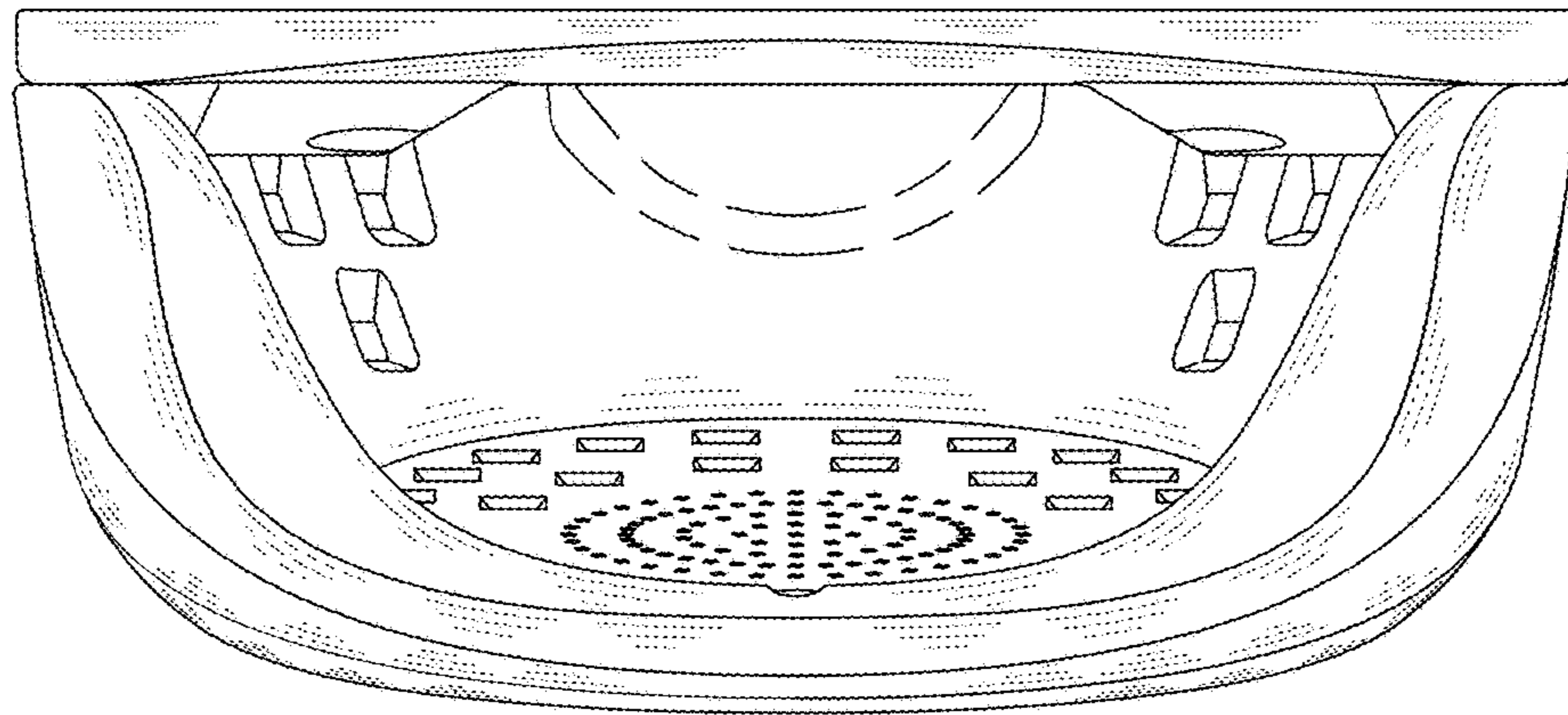


FIG.7

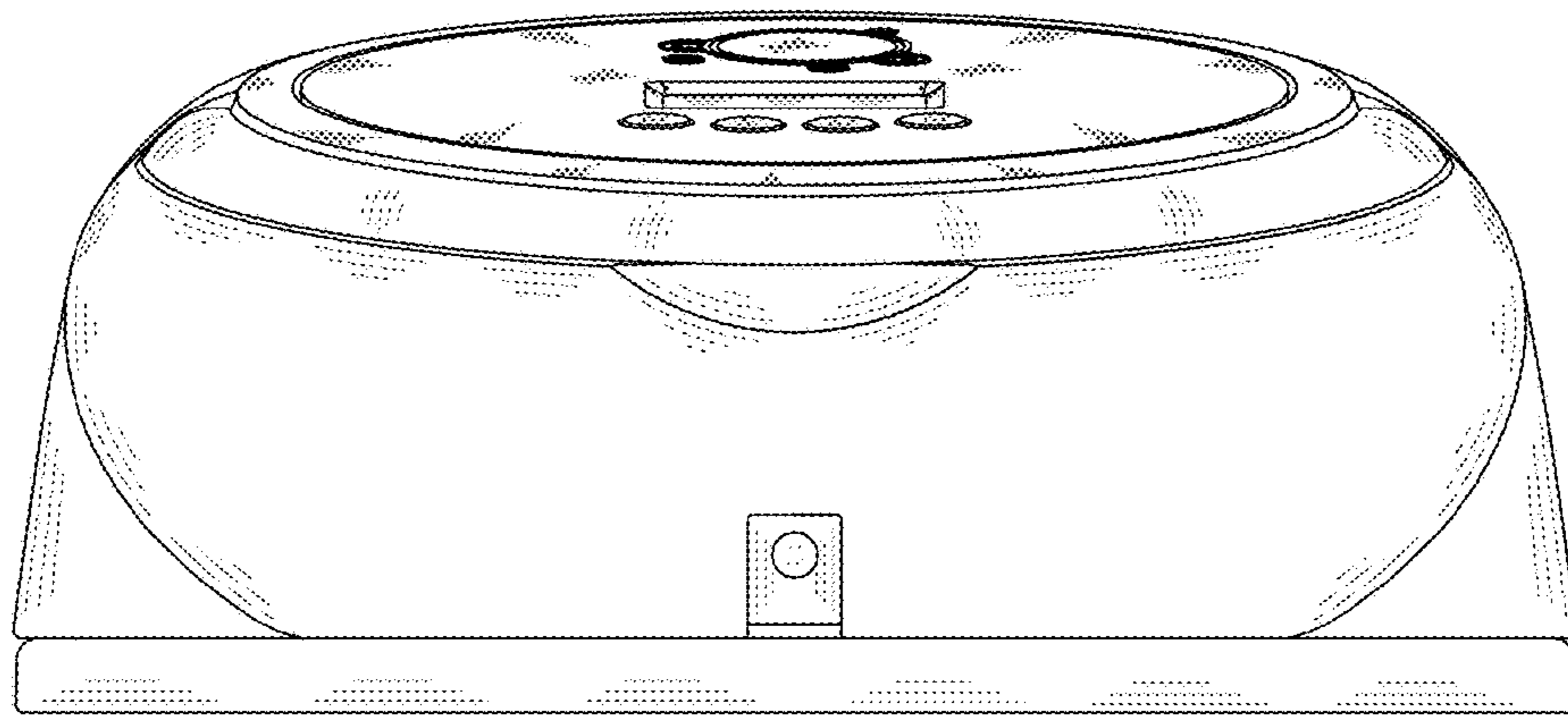


FIG.8