



US00D858880S

(12) **United States Design Patent** (10) **Patent No.:** **US D858,880 S**
Lu (45) **Date of Patent:** **** Sep. 3, 2019**

(54) **ELECTRIC SHAVER**
(71) Applicant: **Guangdong Roman Technology Co., Ltd.**, DongGuan, GuangDong Province (CN)
(72) Inventor: **Guang Lu**, DongGuan (CN)
(73) Assignee: **GUANGDONG ROMAN TECHNOLOGY CO., LTD.**, Dongguan, Guangdong Province (CN)
(**) Term: **15 Years**

(21) Appl. No.: **29/654,597**
(22) Filed: **Jun. 26, 2018**
(51) **LOC (12) Cl.** **28-03**
(52) **U.S. Cl.**
USPC **D28/50; D28/54**
(58) **Field of Classification Search**
USPC D28/49-54
CPC B26B 19/14; B26B 19/141; B26B 19/143; B26B 19/145; B26B 19/146; B26B 19/148; B26B 19/16; B26B 19/18; B26B 19/3806; B26B 19/3813; B26B 19/3826; B26B 19/384; B26B 19/3853-3866
See application file for complete search history.

(56) **References Cited**
U.S. PATENT DOCUMENTS

D546,001 S * 7/2007 McLachlan D28/50
D654,223 S * 2/2012 Aulwes D28/50
8,533,960 B1 * 9/2013 Barish B26B 19/28
30/43.6

9,174,350 B2 * 11/2015 Park B26B 19/14
9,592,614 B2 * 3/2017 Oosterhoff B26B 19/146
D808,077 S * 1/2018 Boulanger D28/50
D824,104 S * 7/2018 Boulanger D28/51
D844,242 S * 3/2019 Yan D28/50
D844,246 S * 3/2019 Yan D28/54
2012/0227266 A1 * 9/2012 Meijer B26B 19/14
30/41.6
2017/0203450 A1 * 7/2017 Hitson B26B 19/24

FOREIGN PATENT DOCUMENTS

CN 207273282 U * 4/2018

* cited by examiner

Primary Examiner — Jennifer Rivard

(74) *Attorney, Agent, or Firm* — Muncy, Geissler, Olds & Lowe, P.C.

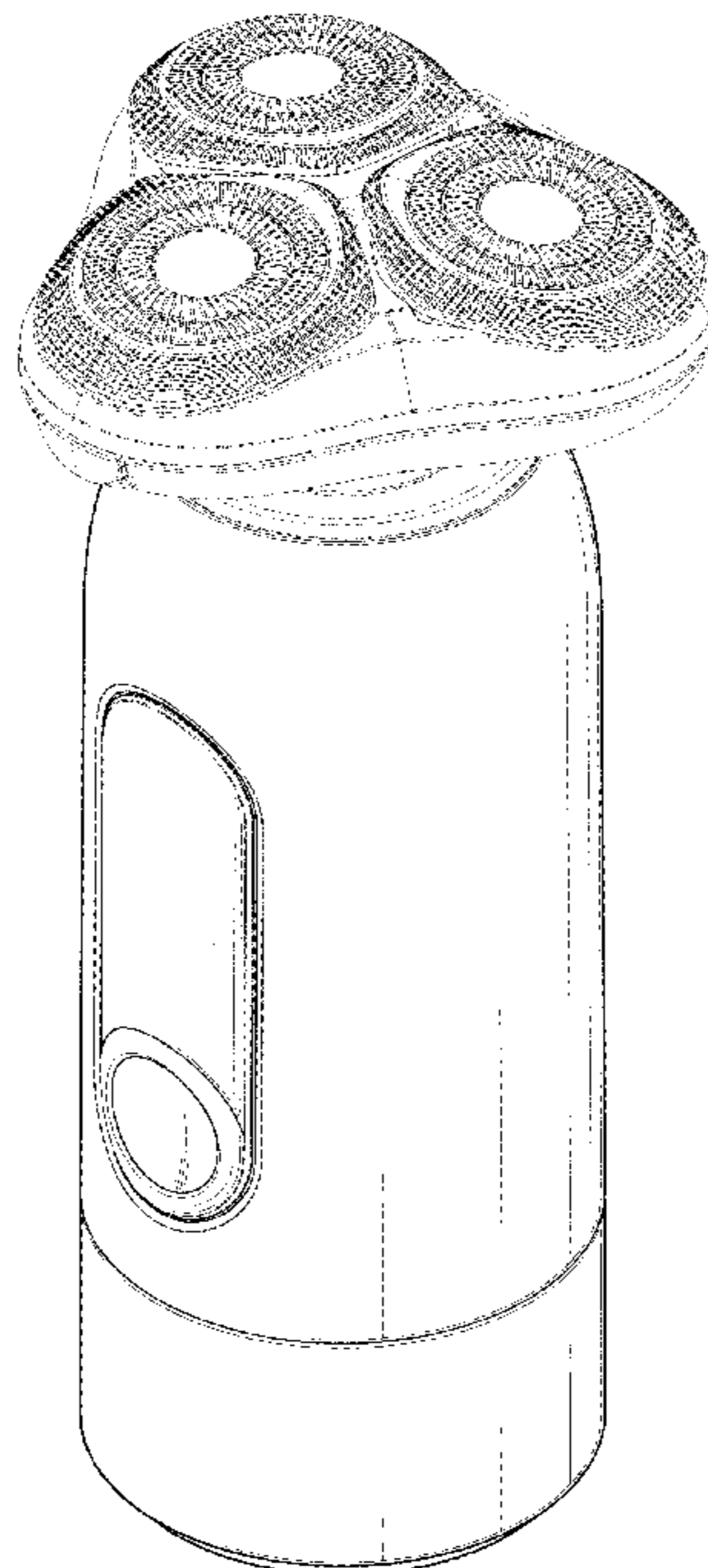
(57) **CLAIM**

The ornamental design for a electric shaver, as shown and described.

DESCRIPTION

FIG. 1 is a perspective view of a electric shaver showing my new design;
FIG. 2 is a front elevational view thereof;
FIG. 3 is a rear elevational view thereof;
FIG. 4 is a left side elevational view thereof;
FIG. 5 is a right side elevational view thereof;
FIG. 6 is a top plan view thereof;
FIG. 7 is a bottom plan view thereof; and,
FIG. 8 is another perspective view thereof.
The broken lines illustrate unclaimed features that form no part of the claimed design.

1 Claim, 7 Drawing Sheets



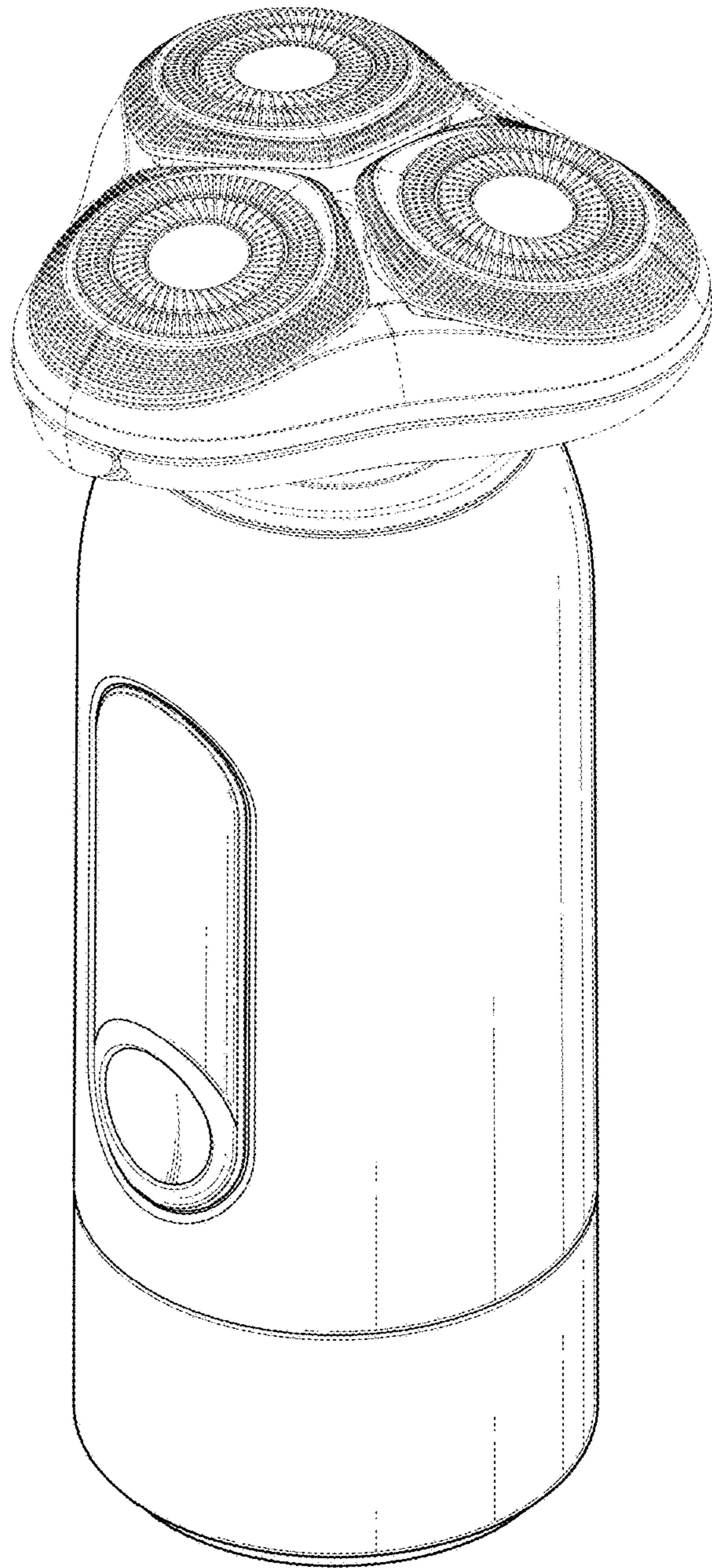


Fig. 1

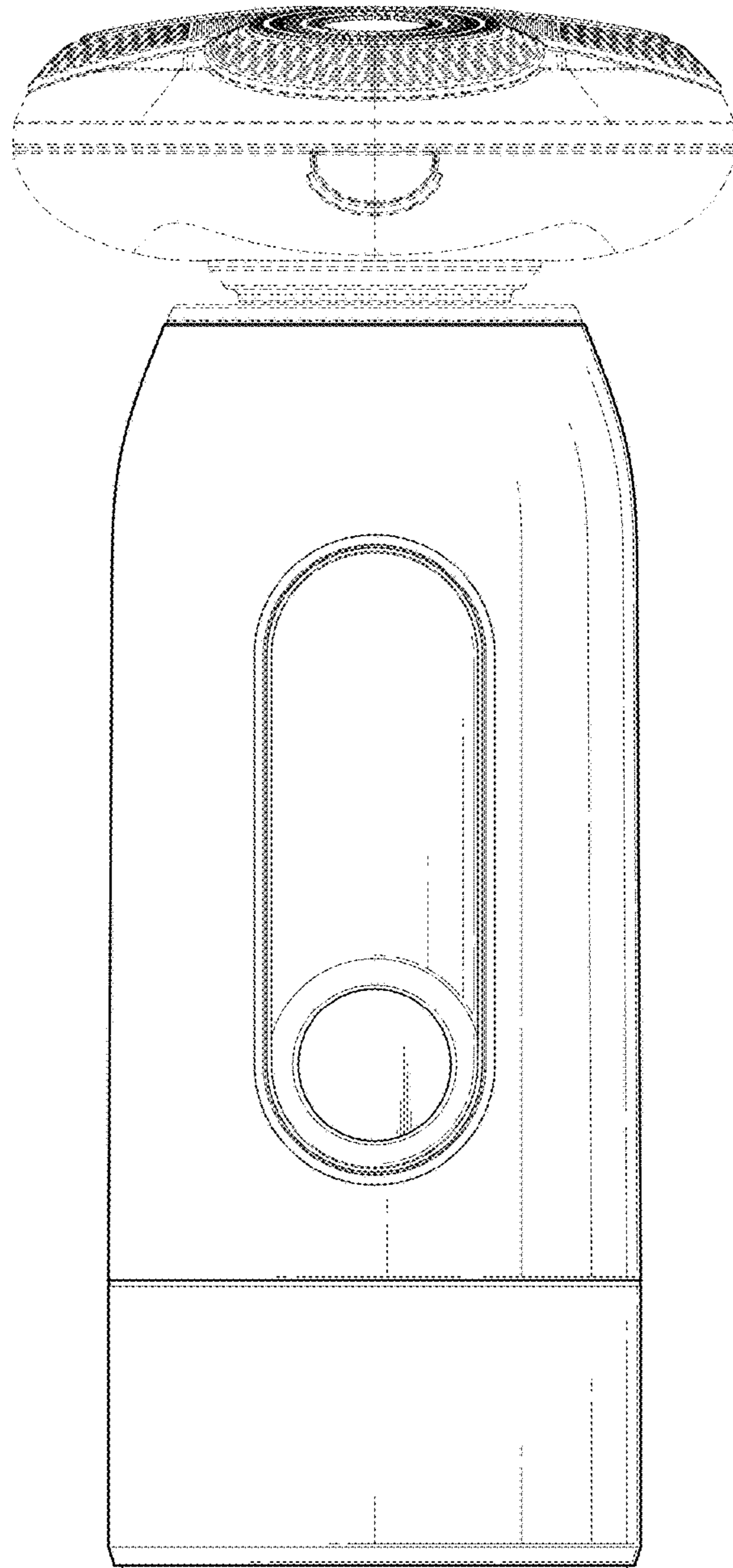


Fig. 2

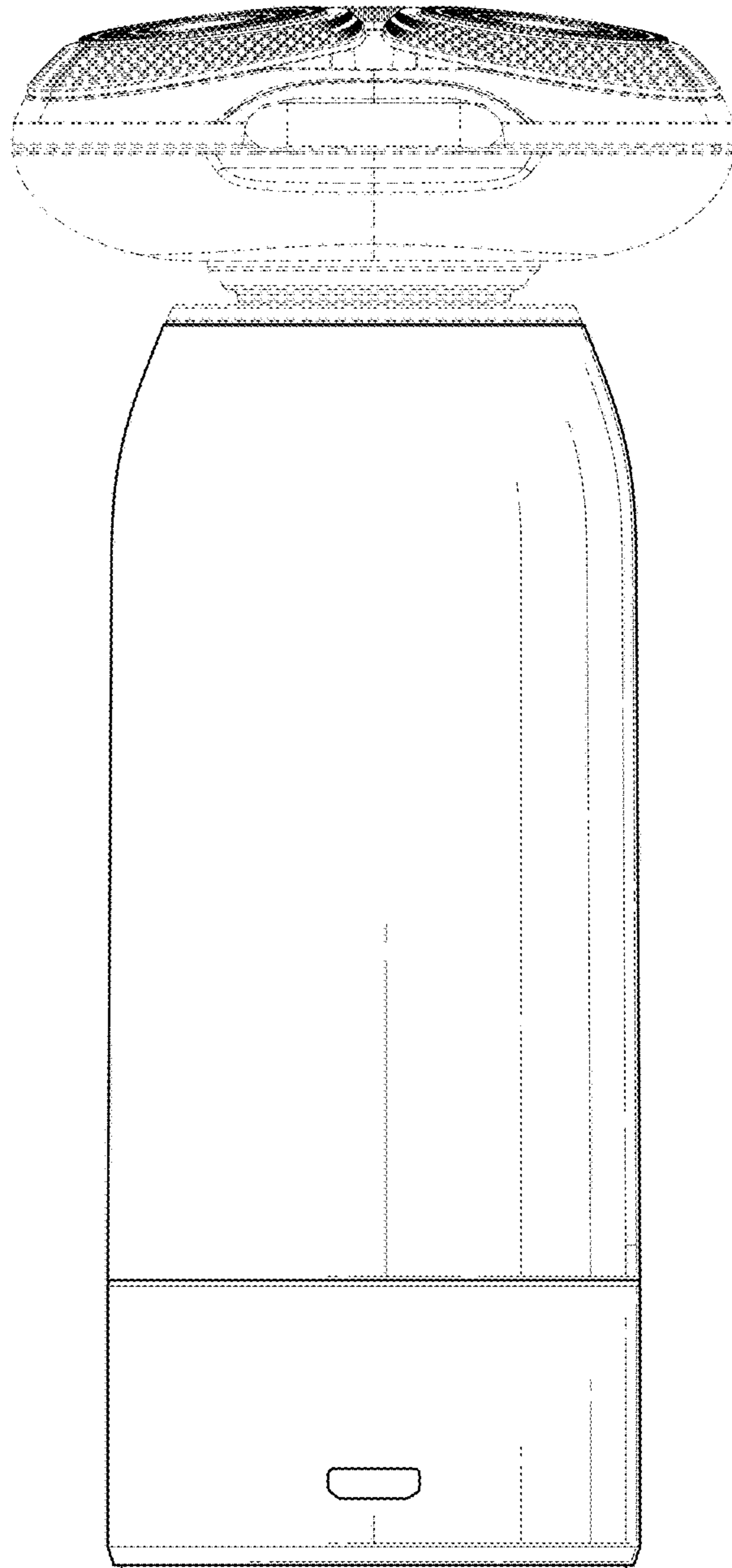


Fig. 3

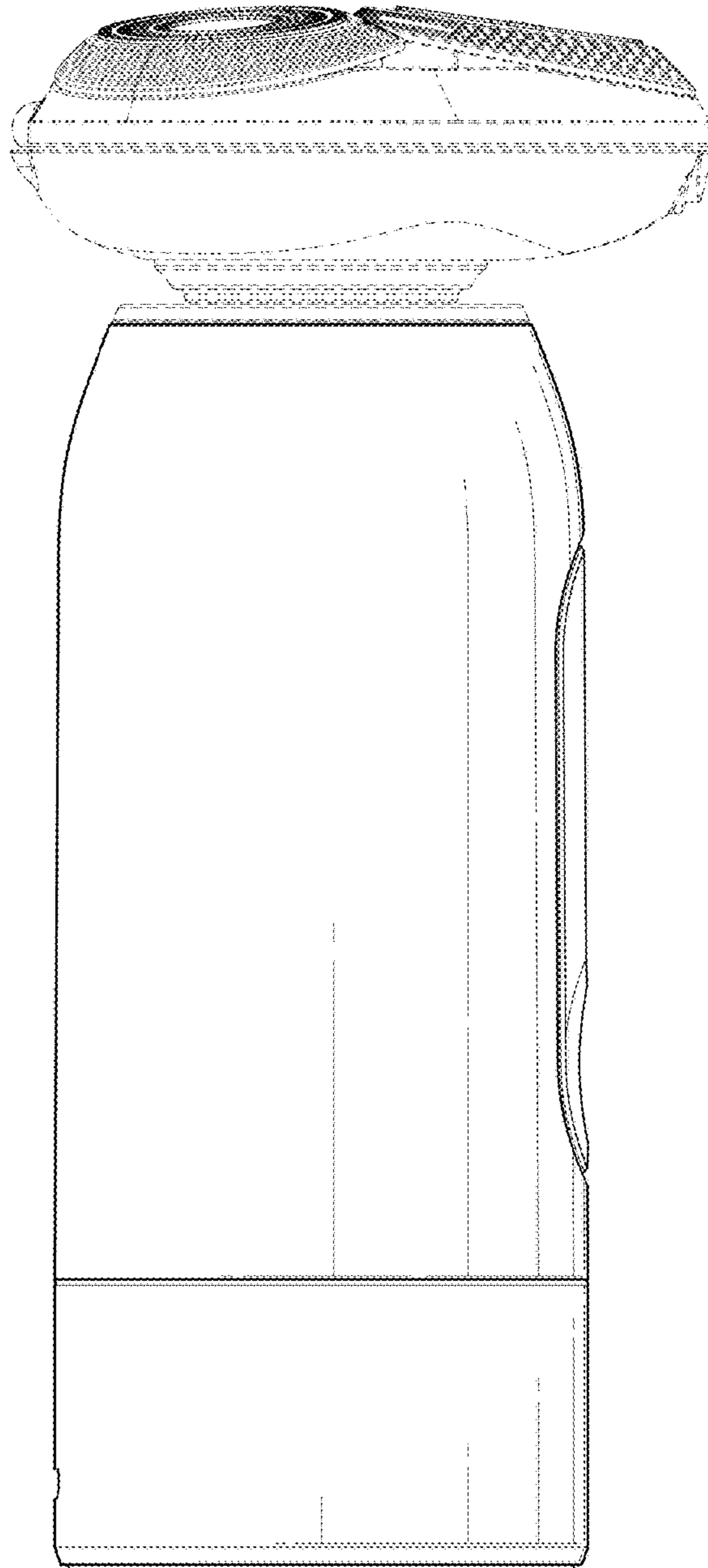


Fig. 4

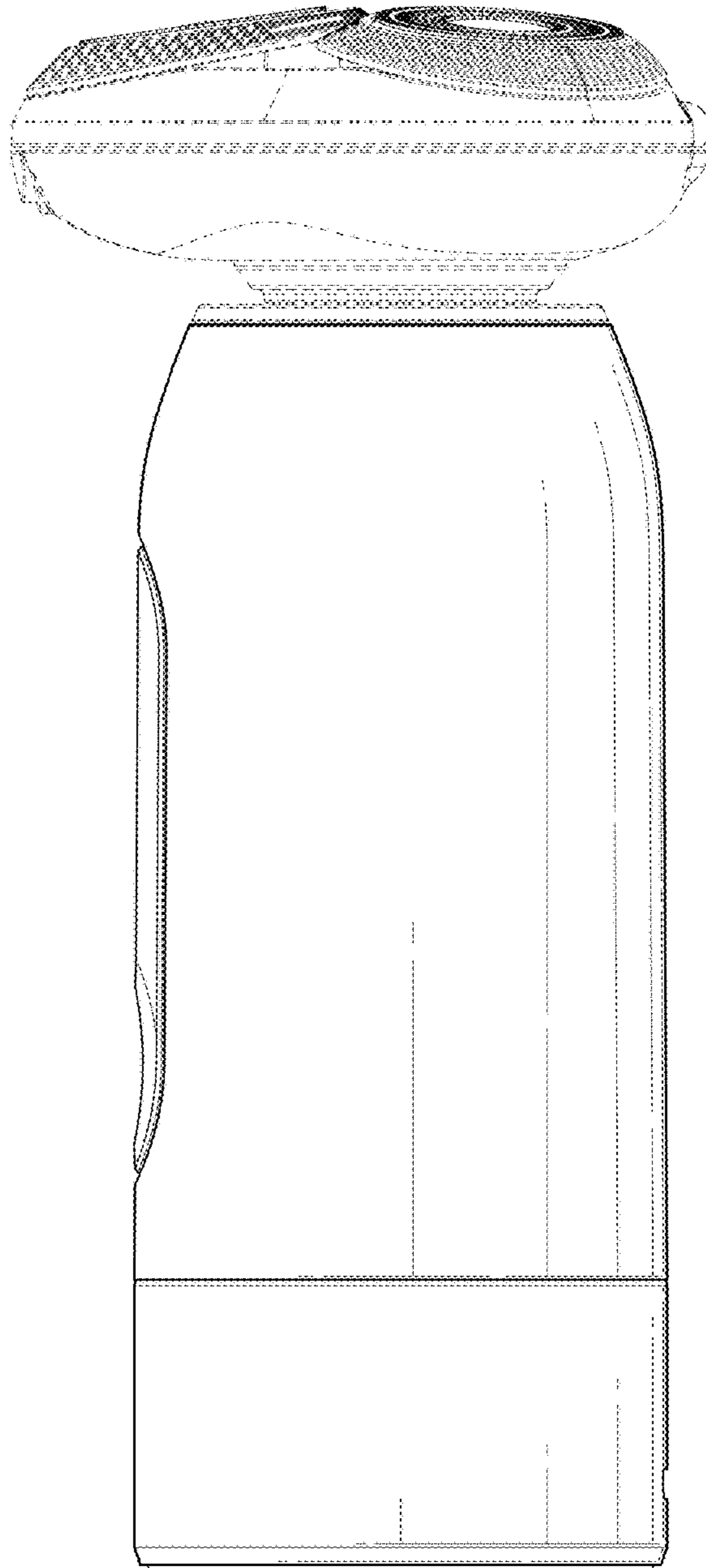


Fig. 5

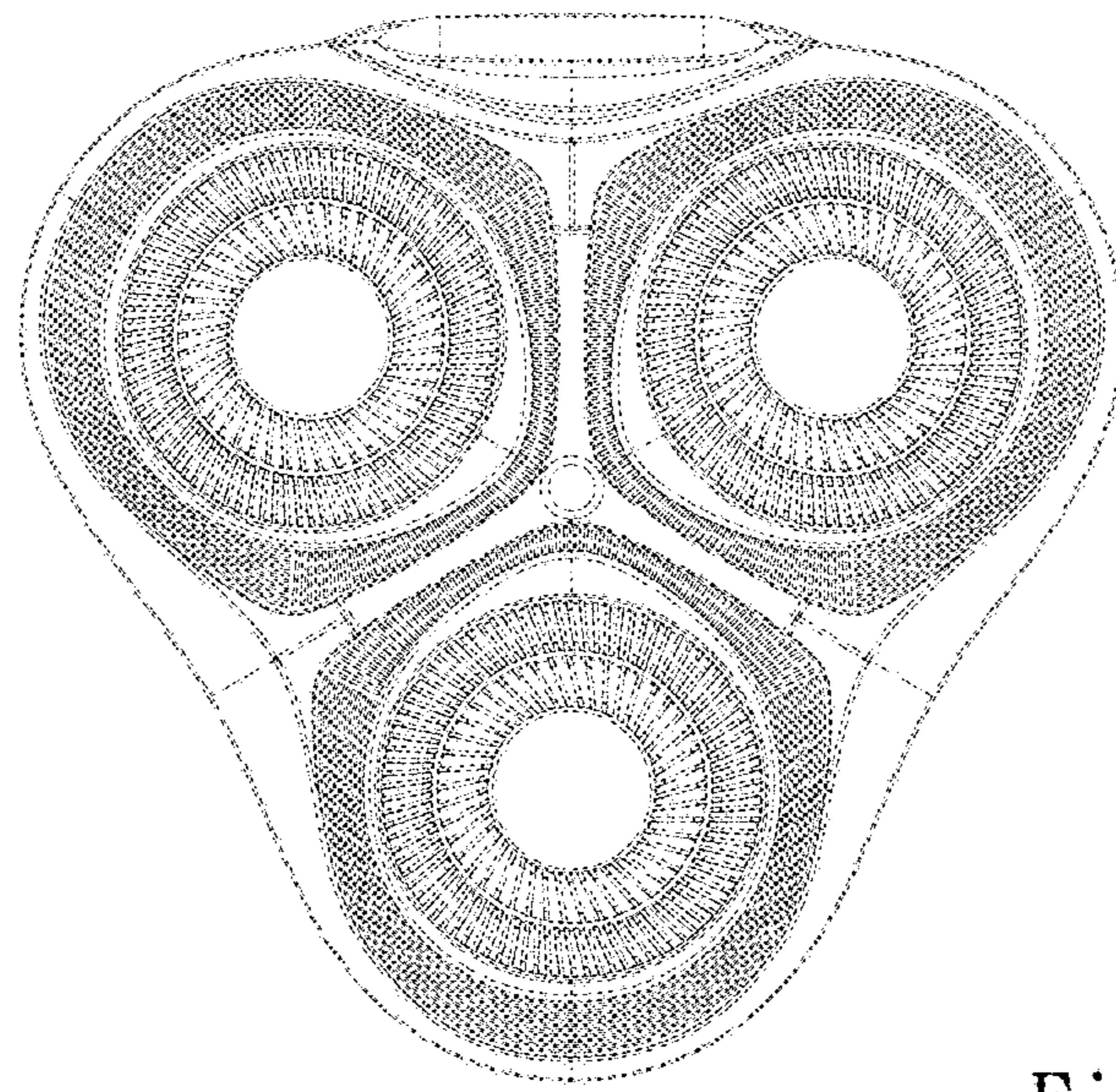


Fig. 6

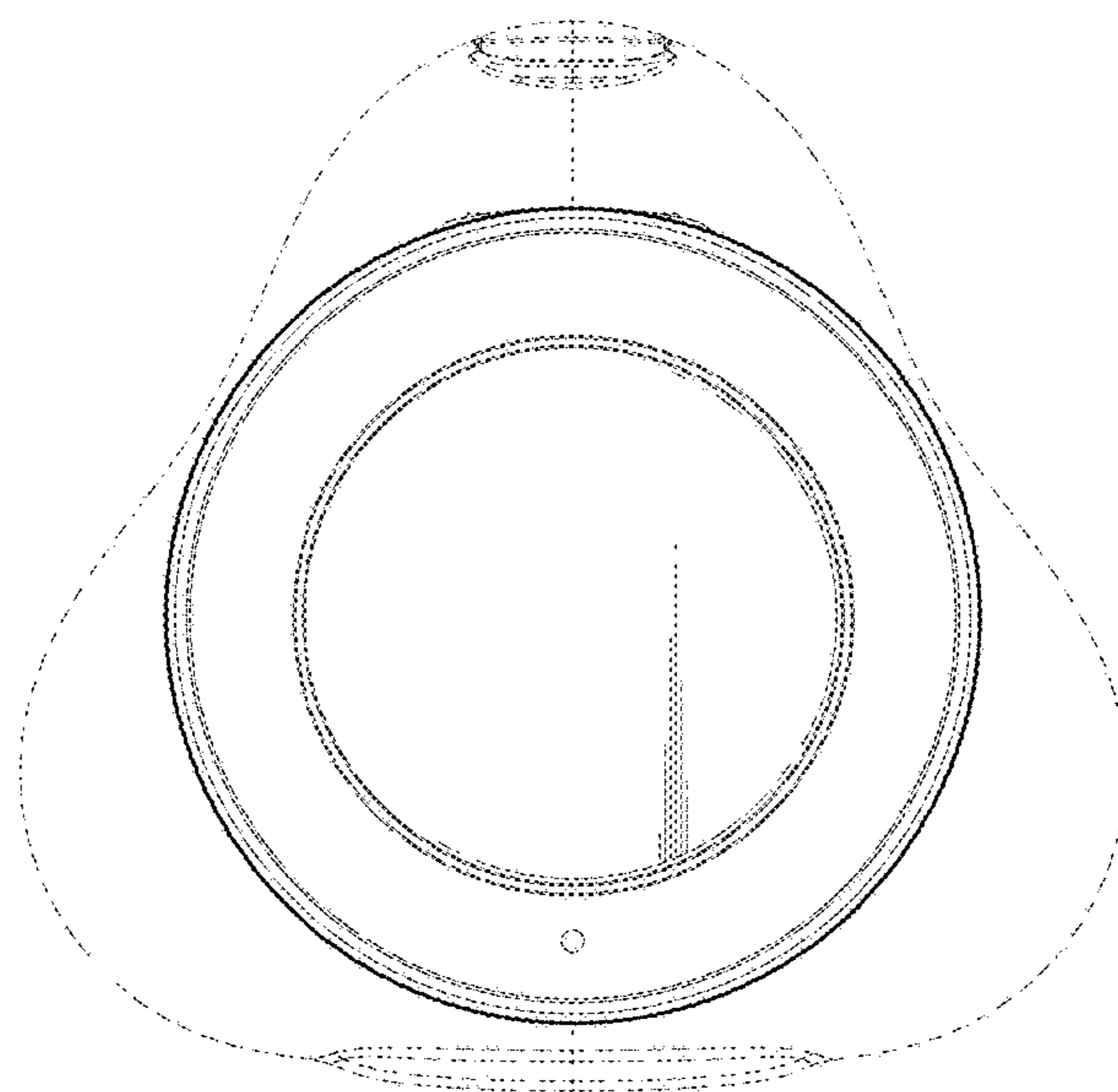


Fig. 7

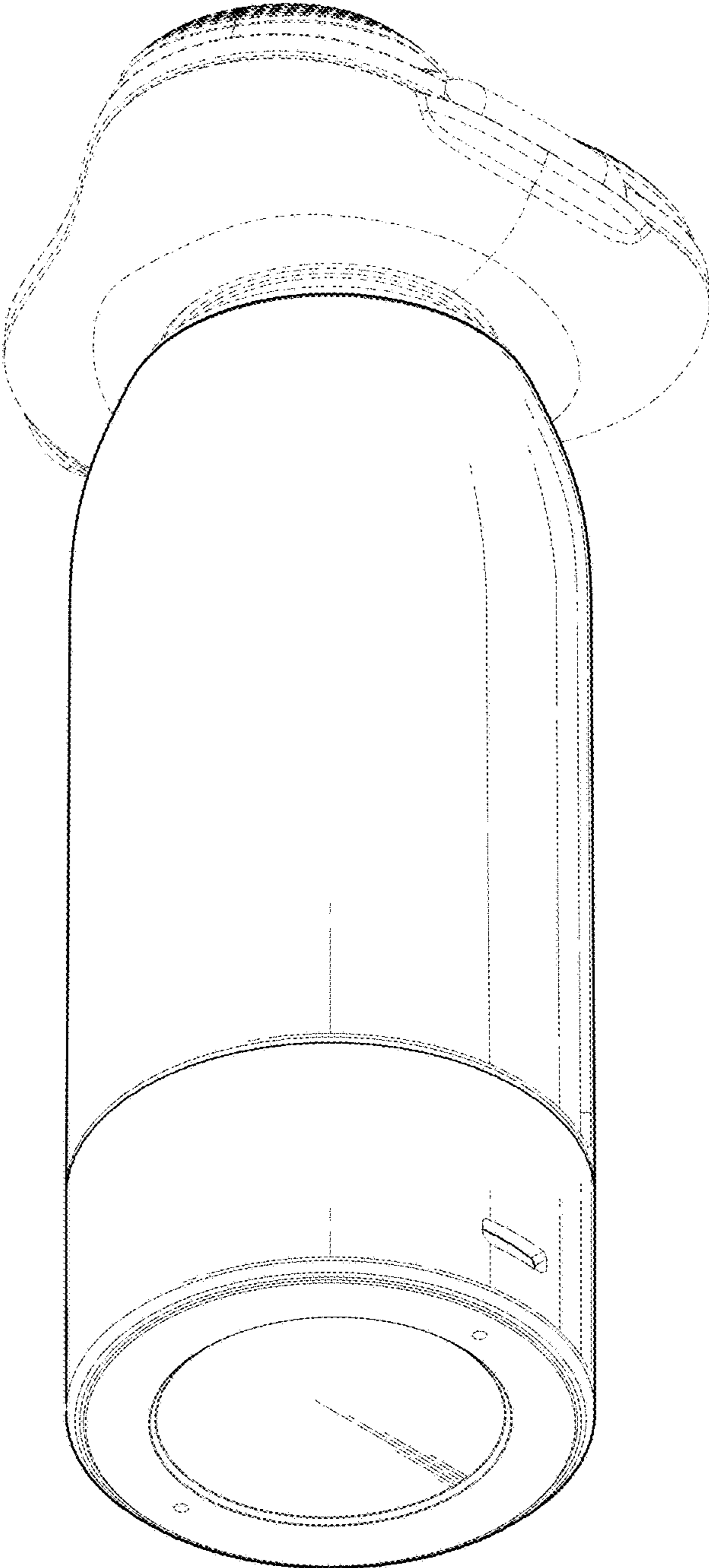


Fig. 8