



US00D858879S

(12) **United States Design Patent**
Brormann

(10) **Patent No.:** **US D858,879 S**

(45) **Date of Patent:** **** Sep. 3, 2019**

(54) **HAIRCUTTING BLADE**

(71) Applicant: **Frank Brormann**, Ennigerloh (DE)

(72) Inventor: **Frank Brormann**, Ennigerloh (DE)

(**) Term: **15 Years**

(21) Appl. No.: **29/619,720**

(22) Filed: **Sep. 30, 2017**

2,624,116 A	1/1953	Steinke	
2,853,778 A	9/1958	Pratt	
2,952,910 A *	9/1960	Meohas B26B 21/06
			192/105 A
3,106,020 A	10/1963	Tape	
3,570,121 A	3/1971	Graceffo	

(Continued)

Related U.S. Application Data

(60) Continuation of application No. 14/661,308, filed on Mar. 18, 2015, which is a division of application No. 13/522,389, filed on Jul. 16, 2012, now abandoned.

(51) **LOC (12) Cl.** **28-03**

(52) **U.S. Cl.**
USPC **D28/47**

(58) **Field of Classification Search**
USPC D28/46-48, 45; D8/98-104
CPC B26B 21/52-528; B26B 21/00-06; B26B 21/08-38; B26B 21/54-565; B26B 5/006
See application file for complete search history.

(56) **References Cited**

U.S. PATENT DOCUMENTS

1,365,176 A	1/1921	Knudtson	
1,553,449 A	9/1925	Kennedy	
1,666,118 A	4/1928	Colgrove	
1,814,596 A	7/1931	Hamel	
1,825,766 A *	10/1931	Anderson B26B 21/54
			30/346.58
1,991,289 A *	2/1935	Moses B26B 21/00
			30/332
1,997,992 A	4/1935	Bates, Jr.	
2,254,199 A	9/1941	Baltuch	
2,322,744 A *	6/1943	Benjamin B26B 21/56
			30/346.61

FOREIGN PATENT DOCUMENTS

DE	266011 C	10/1913
DE	476129 C	5/1929

(Continued)

OTHER PUBLICATIONS

International Search Report of International Application No. PCT/EP2011/000367, dated May 10, 2011.

Primary Examiner — Jennifer Rivard
(74) *Attorney, Agent, or Firm* — Robert Dabney Eastham

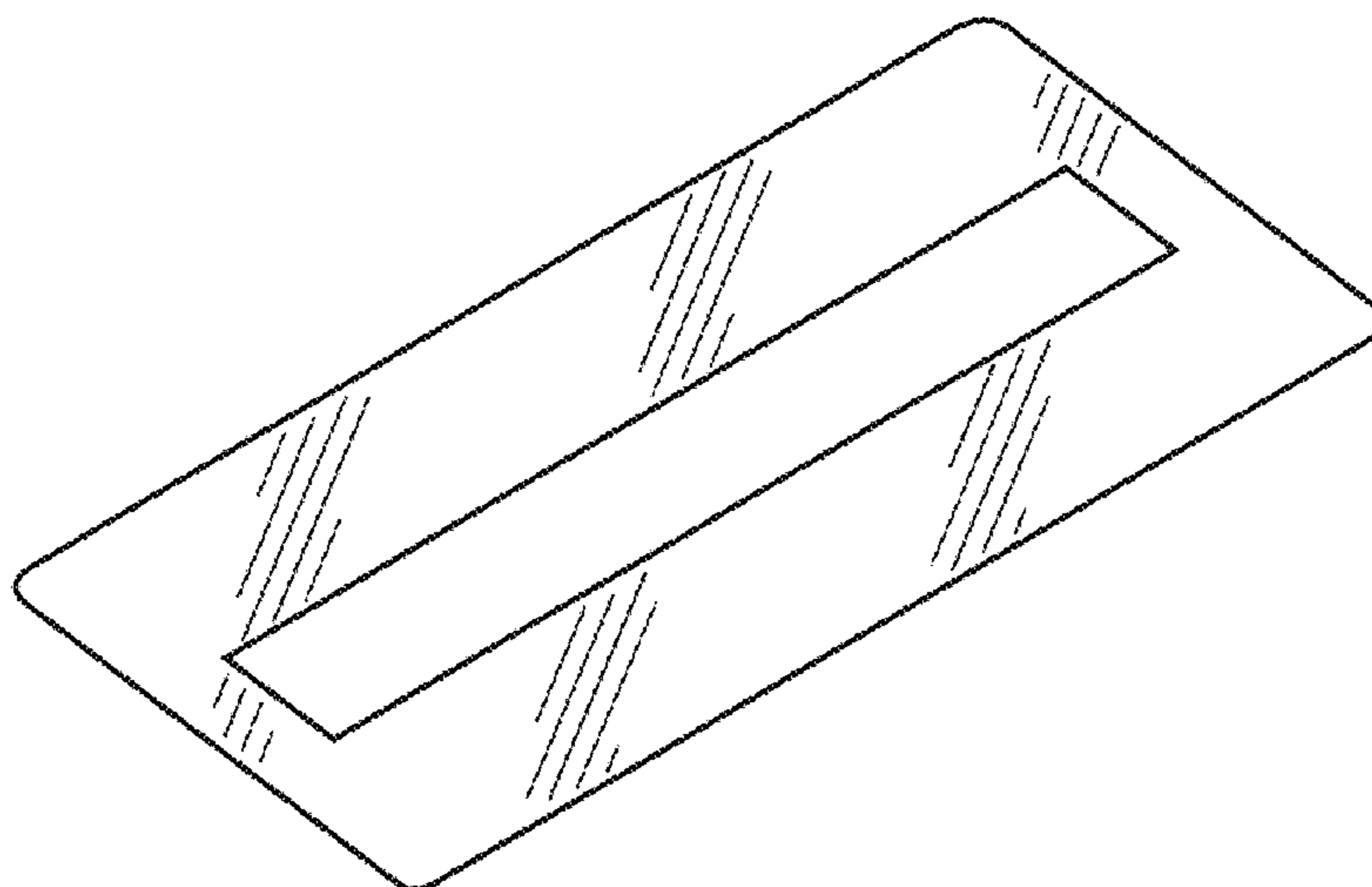
(57) **CLAIM**

I claim the ornamental design for a haircutting blade, as shown and described.

DESCRIPTION

FIG. 1 is a left perspective view of a haircutting blade according to the present invention;
FIG. 2 is a front end view of the haircutting blade of FIG. 1;
FIG. 3 is a back end view of the haircutting blade of FIG. 1;
FIG. 4 is a left side view of the haircutting blade of FIG. 1;
FIG. 5 is a right side view of the haircutting blade of FIG. 1;
FIG. 6 is a top side view of the haircutting blade of FIG. 1; and,
FIG. 7 is a bottom side view of the haircutting blade of FIG. 1.

1 Claim, 1 Drawing Sheet



(56)

References Cited

U.S. PATENT DOCUMENTS

4,562,645 A * 1/1986 Dato B26B 21/4068
30/346.58
5,943,781 A * 8/1999 Kim B23K 20/10
30/346.58
6,263,576 B1 7/2001 Drapak et al.
7,610,683 B2 * 11/2009 Brown B26B 21/00
30/50
2003/0196330 A1 10/2003 Kitano
2009/0183376 A1 * 7/2009 Wang B26B 21/12
30/233.5
2012/0311864 A1 * 12/2012 Brormann B26B 21/10
30/48
2015/0190937 A1 * 7/2015 Brormann B26B 21/10
30/48
2017/0087733 A1 * 3/2017 Metcalf B26B 21/14
2018/0222069 A1 * 8/2018 Brormann B26B 21/4075

FOREIGN PATENT DOCUMENTS

DE 1225989 B 9/1966
FR 803682 A 10/1936
FR 2849618 A1 7/2004
GB 469720 A 7/1937
GB 2357057 A 6/2001
WO 199611777 A1 4/1996
WO 2005113203 A1 12/2005
WO 2009125446 A2 10/2009

* cited by examiner

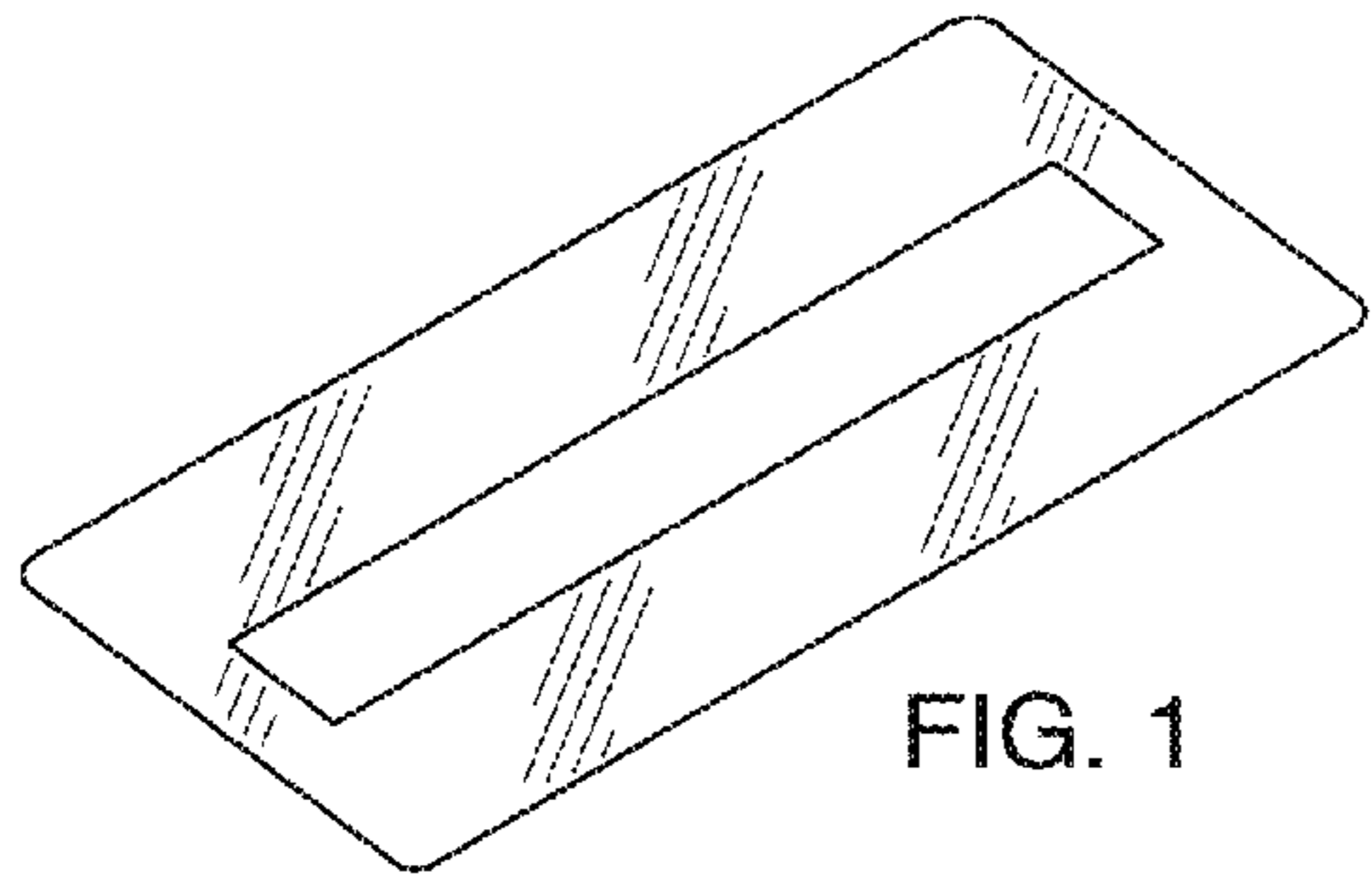


FIG. 1

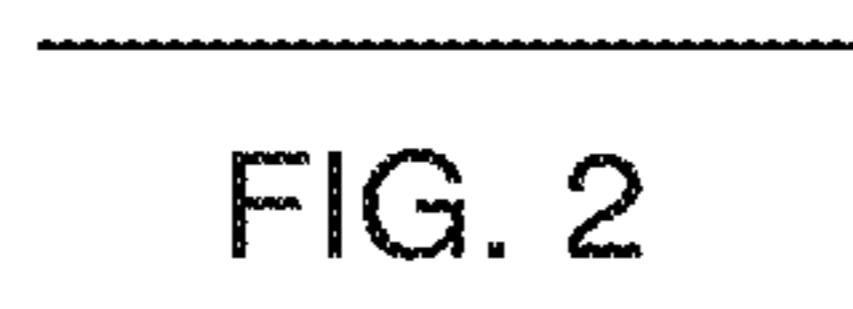


FIG. 2

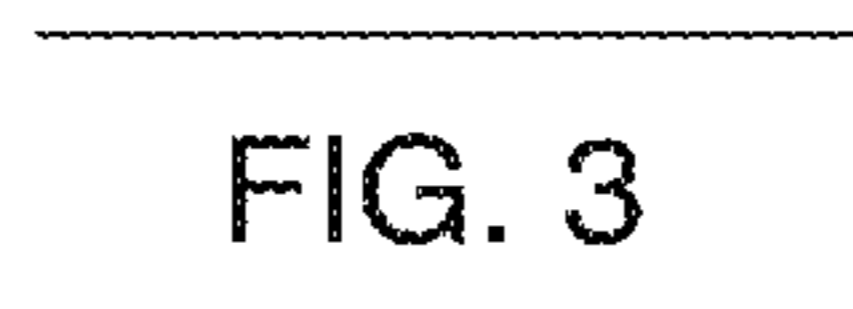


FIG. 3

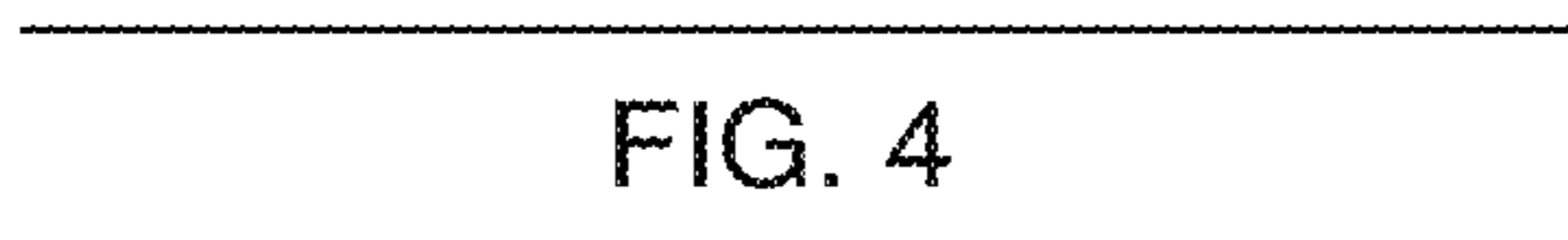


FIG. 4

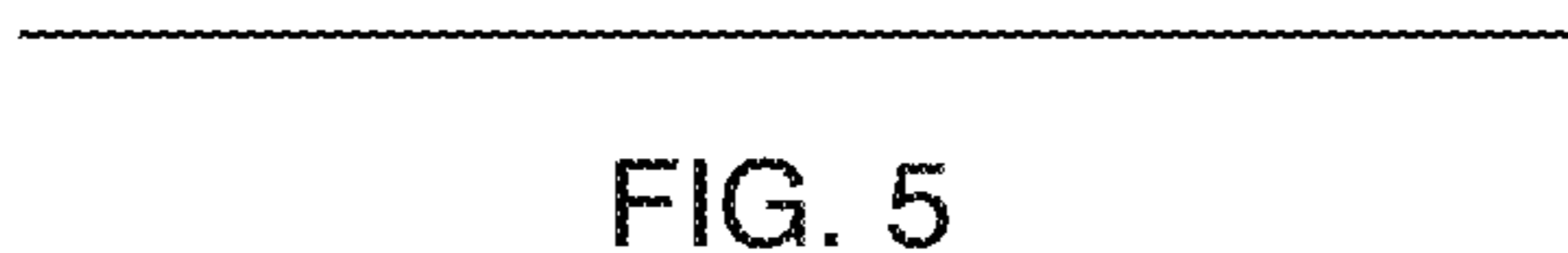


FIG. 5

FIG. 6

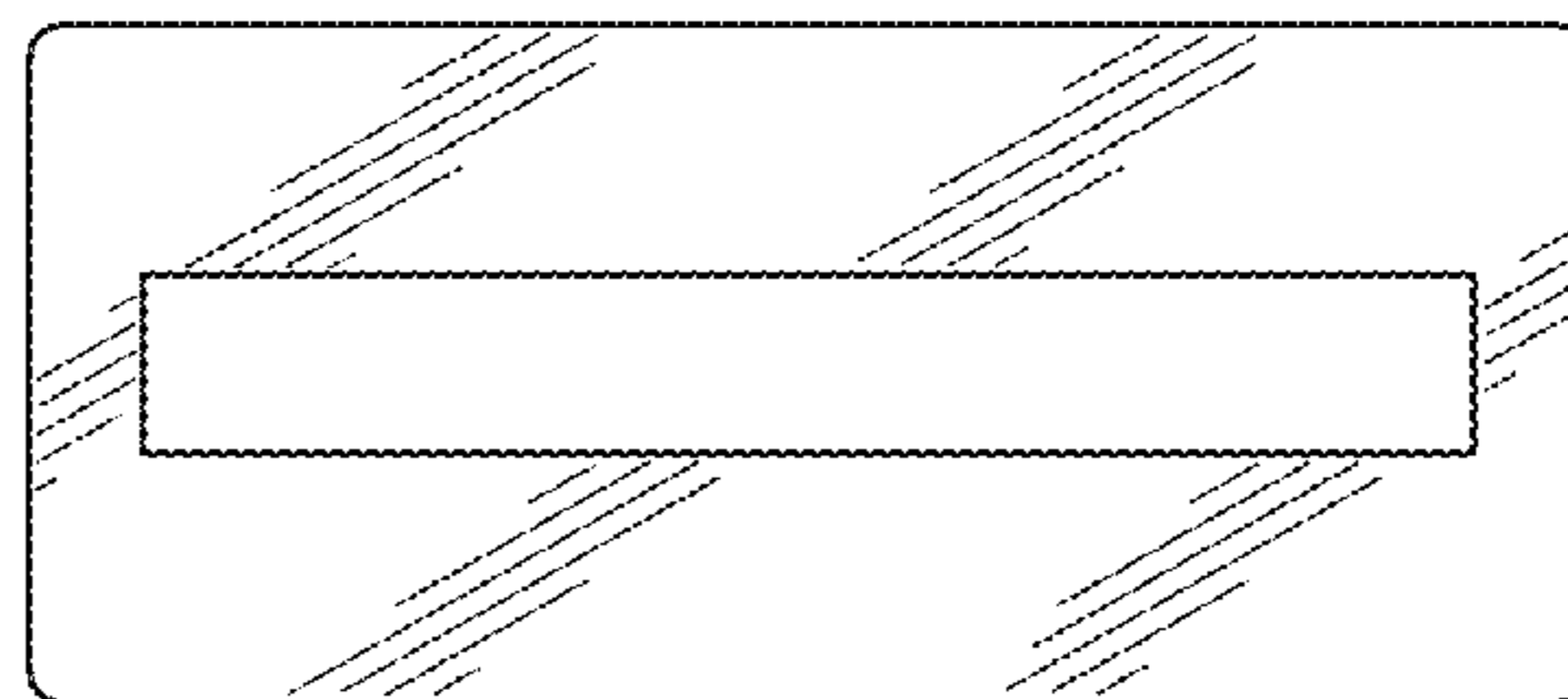


FIG. 7

