



US00D858877S

(12) **United States Design Patent** (10) **Patent No.:** **US D858,877 S**
Maor et al. (45) **Date of Patent:** **** Sep. 3, 2019**

- (54) **LICE COMB**
- (71) Applicants: **Moshe Maor**, Welshpool (AU);
Edward Joseph Khoury, Bateman (AU)
- (72) Inventors: **Moshe Maor**, Welshpool (AU);
Edward Joseph Khoury, Bateman (AU)
- (**) Term: **15 Years**
- (21) Appl. No.: **29/688,498**
- (22) Filed: **Apr. 22, 2019**
- (51) **LOC (12) Cl.** **28-03**
- (52) **U.S. Cl.**
USPC **D28/24**
- (58) **Field of Classification Search**
USPC D28/7, 20-34; D32/49; D30/158, 159;
D24/133
CPC A45D 24/00; A45D 24/007; A45D 24/30;
A01K 13/00; A01K 13/002
See application file for complete search history.

D368,342	S	3/1996	Founds	
6,086,682	A	7/2000	Anderson	
D451,639	S	* 12/2001	Lior D28/10
8,359,755	B1	1/2013	Laube	
2007/0084416	A1	4/2007	Liao	
2009/0126648	A1	5/2009	Porter et al.	
2011/0308034	A1	12/2011	Powers et al.	
2014/0026822	A1	1/2014	Harris, II	
2016/0073612	A1	3/2016	Cafasso et al.	

OTHER PUBLICATIONS

Office Action 1 for U.S. Appl. No. 15/100,069, dated Jul. 26, 2018.
Response to Office Action 1 for U.S. Appl. No. 15/100,069, dated Sep. 27, 2018.
Office Action 2 for U.S. Appl. No. 15/100,069, dated Dec. 3, 2018.
Response to Office Action 2 for U.S. Appl. No. 15/100,069, dated Feb. 20, 2019.
Office Action 3 for U.S. Appl. No. 15/100,069, dated Mar. 25, 2019.

* cited by examiner

Primary Examiner — Zenia I Bennett
(74) *Attorney, Agent, or Firm* — Tope-McKay & Associates

(57) **CLAIM**

The ornamental design for a lice comb, as shown.

DESCRIPTION

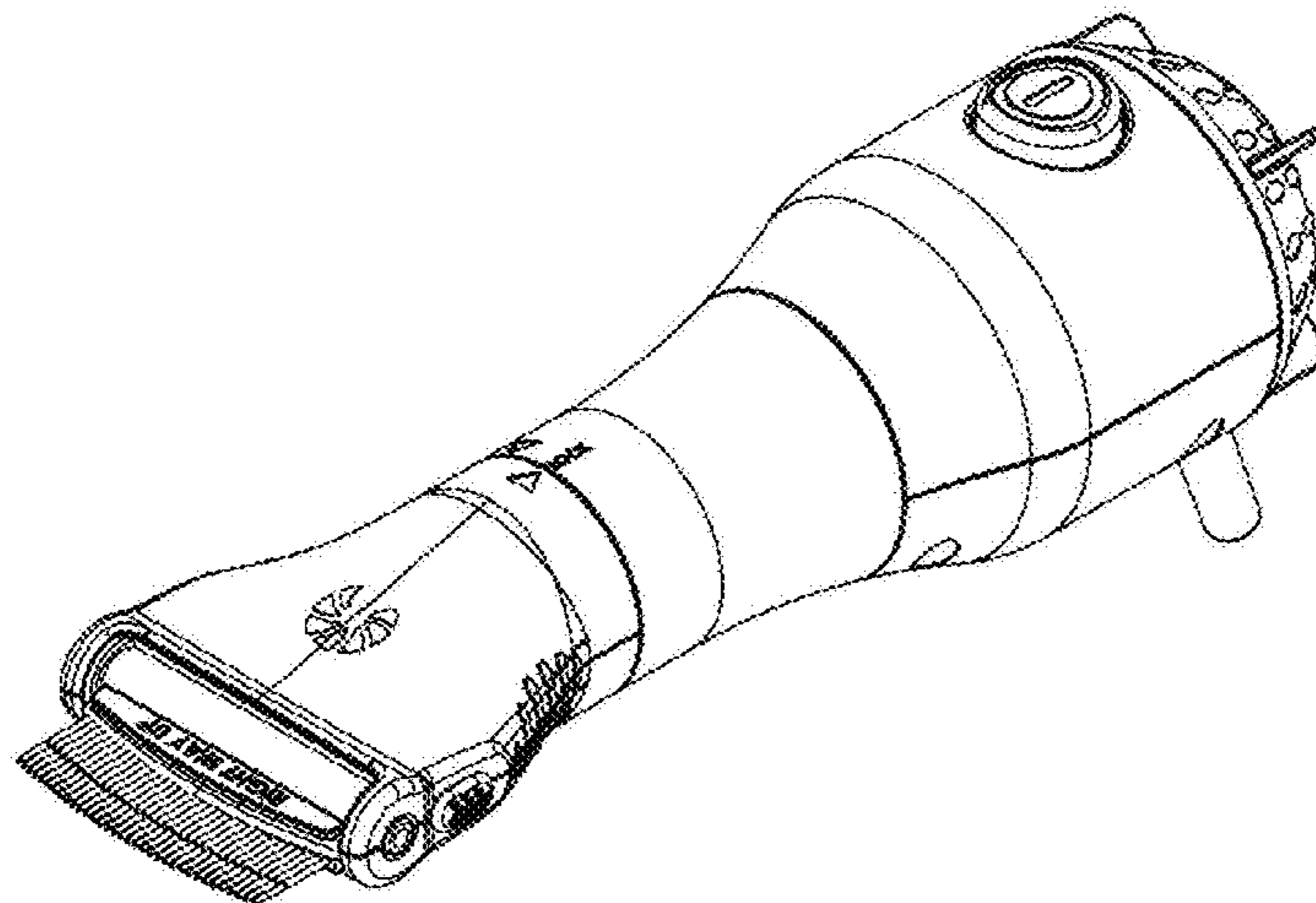
FIG. 1 is a first front top perspective view of a lice comb in accordance with the new design;
FIG. 2 is a top elevation view thereof;
FIG. 3 is a bottom elevation view thereof;
FIG. 4 is a right side elevation view thereof;
FIG. 5 is a left side elevation view thereof;
FIG. 6 is a front elevation view thereof; and,
FIG. 7 is a rear elevation view thereof.

1 Claim, 7 Drawing Sheets

(56) **References Cited**

U.S. PATENT DOCUMENTS

3,730,190	A	*	5/1973	Ford	A45D 20/50
						132/119.1
3,760,821	A	*	9/1973	Weddington	A45D 24/10
						132/118
D234,322	S	*	2/1975	Smith	D28/13
D242,951	S	*	1/1977	Bradford	D28/24
4,485,583	A		12/1984	Planty		
4,799,460	A		1/1989	Kuhl		
D326,744	S		6/1992	LeClair		
5,211,131	A		5/1993	Plyer		



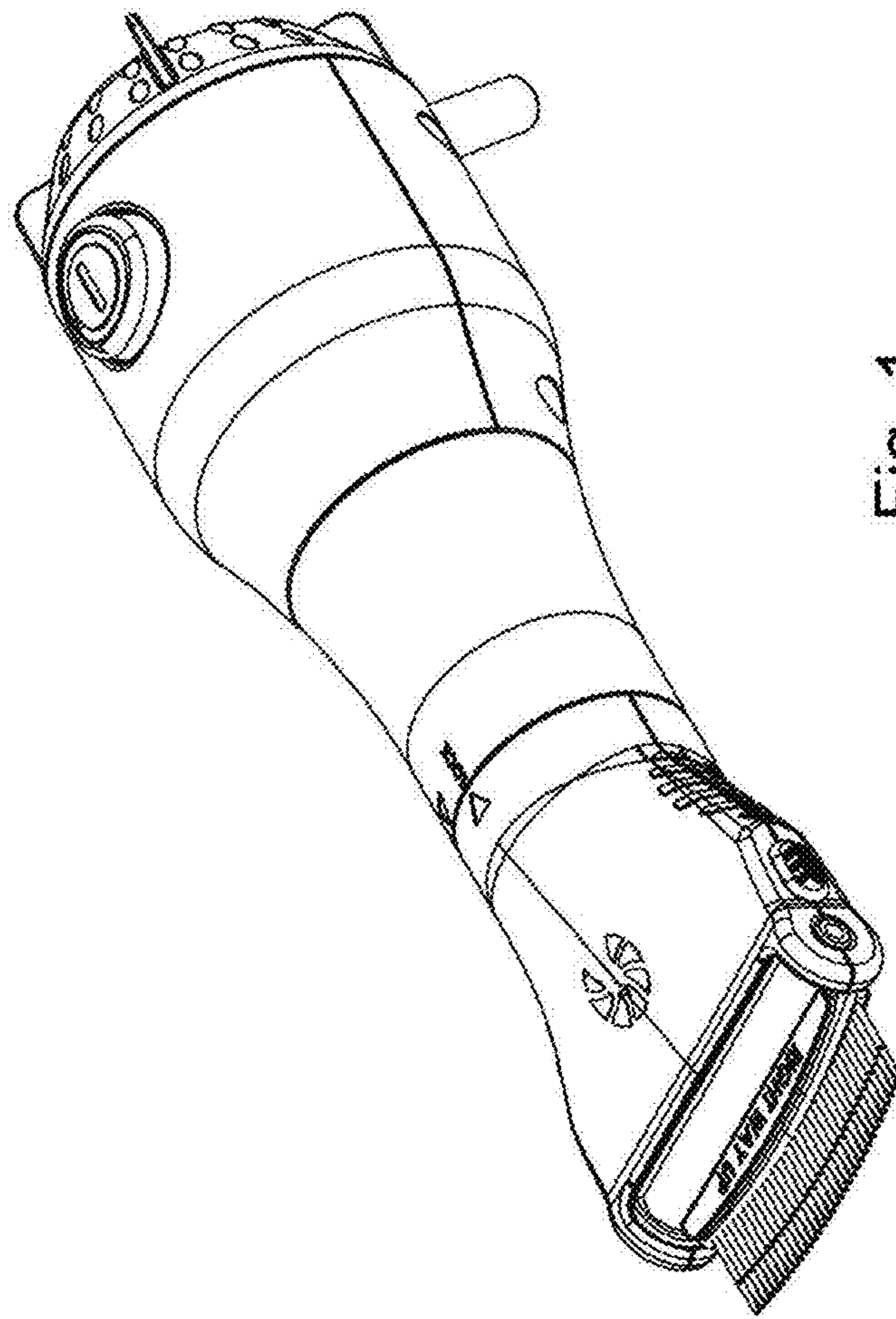


Fig. 1

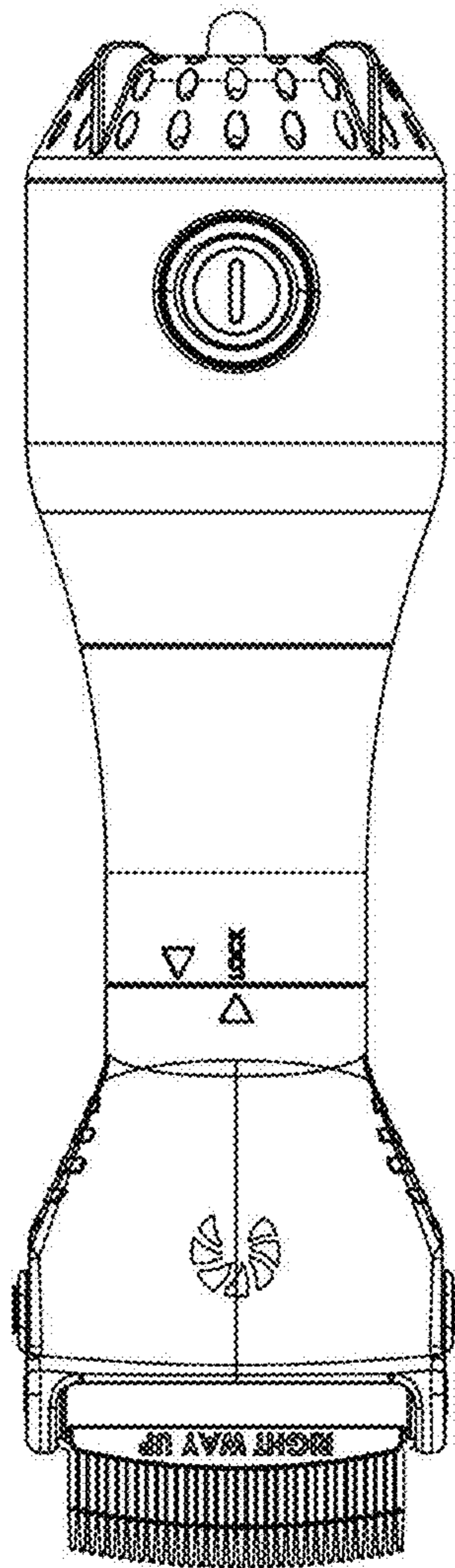


Fig. 2

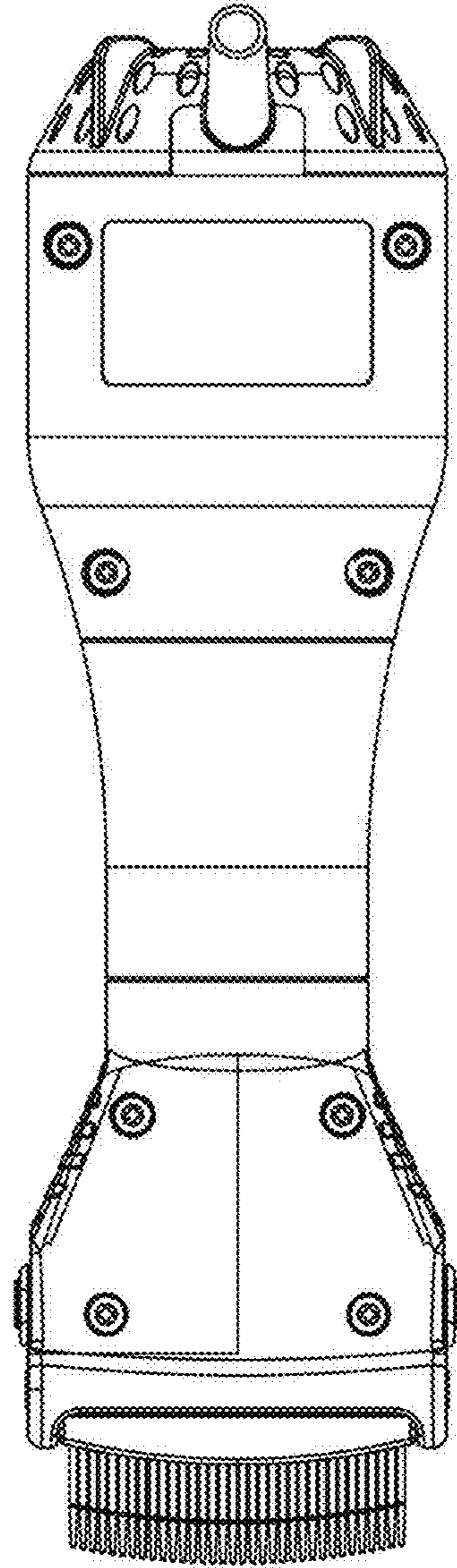


Fig. 3

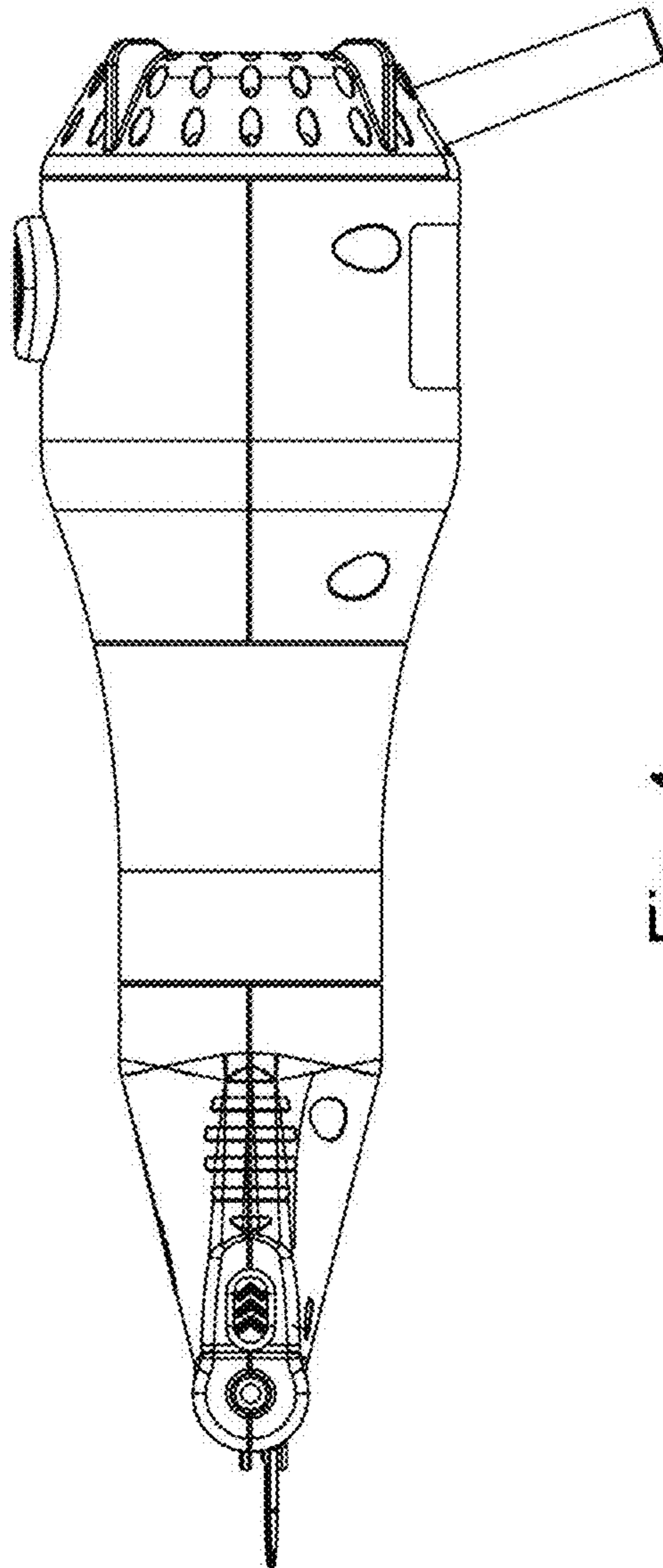


Fig. 4

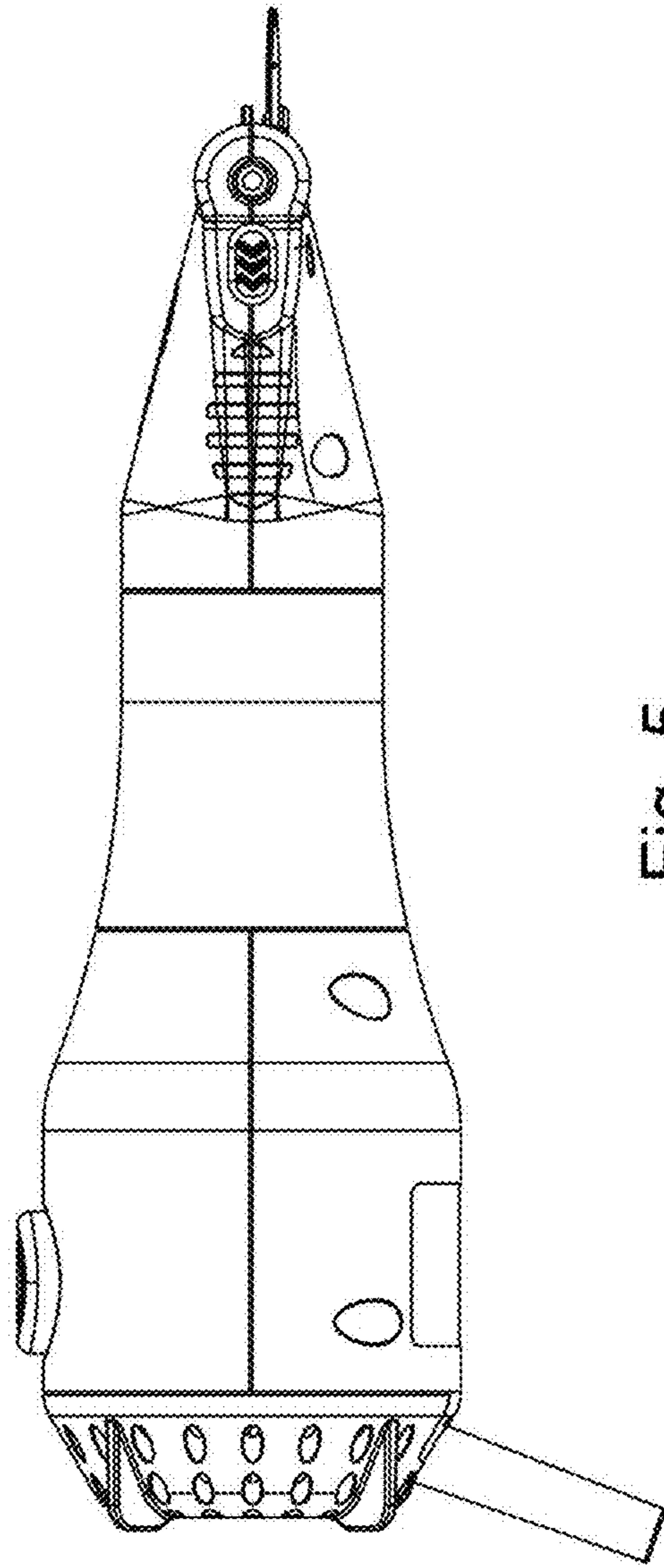


Fig. 5

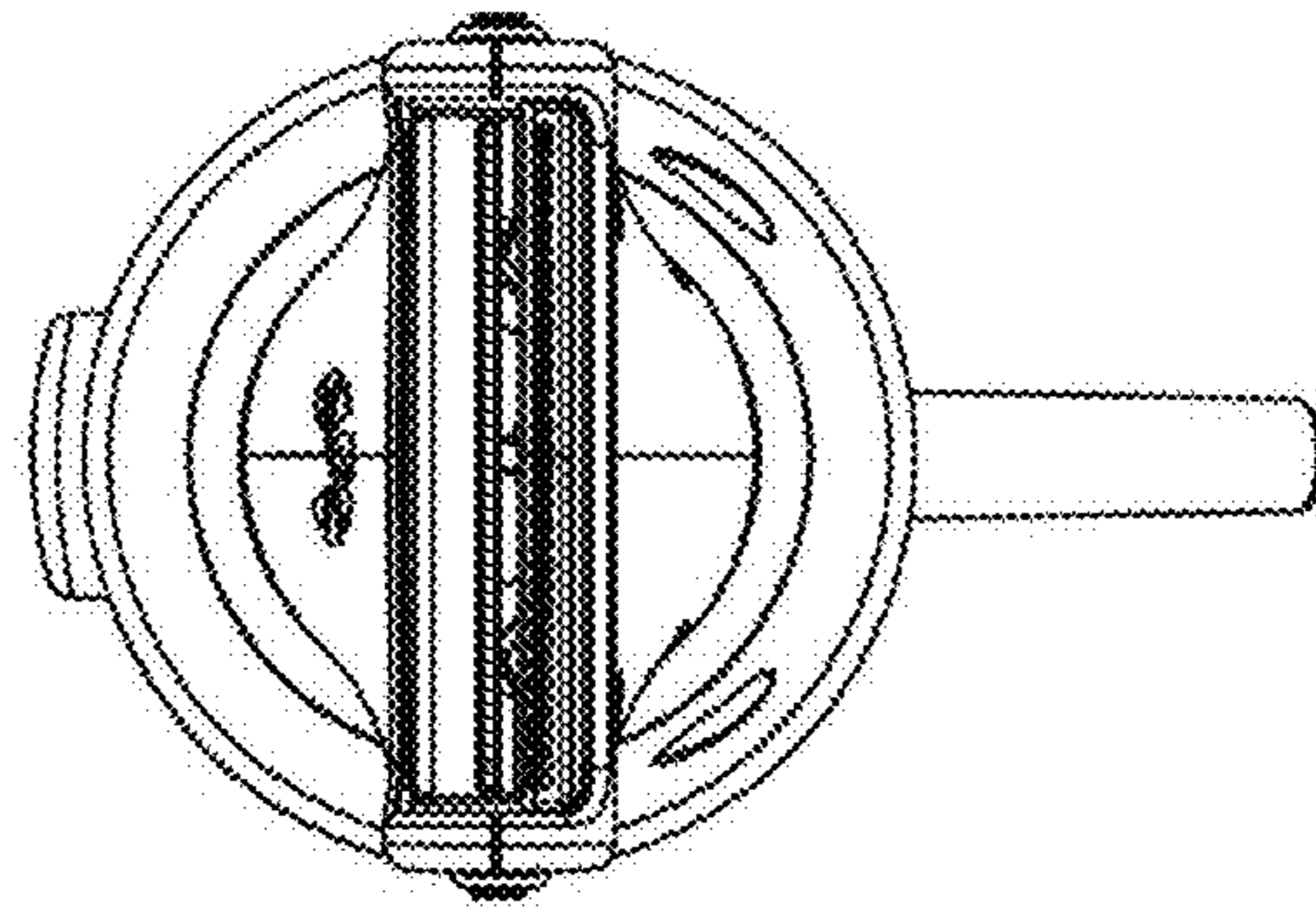


Fig. 6

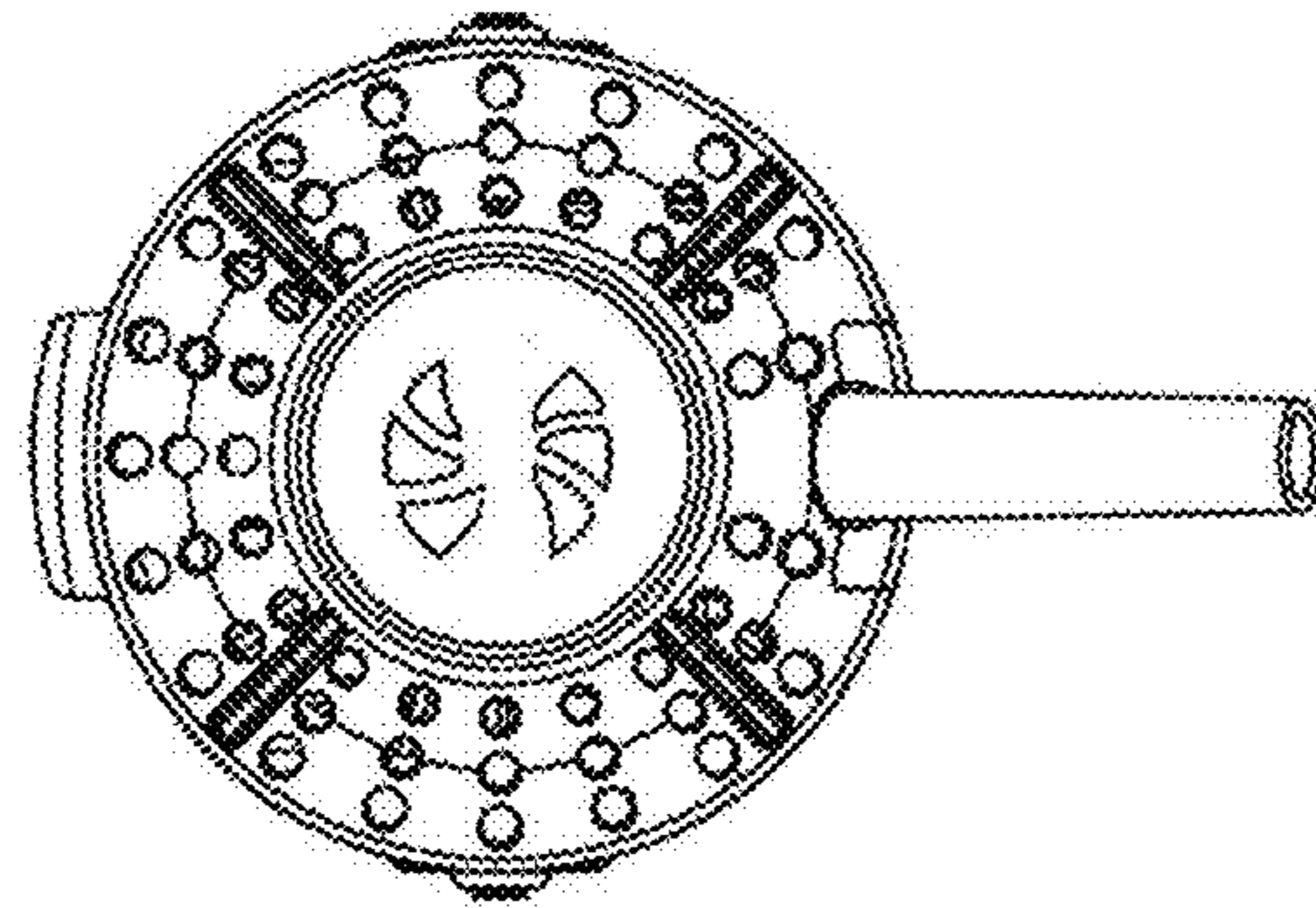


Fig. 7