



US00D858875S

(12) **United States Design Patent** (10) **Patent No.:** **US D858,875 S**  
**Liu** (45) **Date of Patent:** **\*\* Sep. 3, 2019**

(54) **HAIR STRAIGHTENER COMB**  
(71) Applicant: **Jianwen Liu**, Jiangxi (CN)  
(72) Inventor: **Jianwen Liu**, Jiangxi (CN)  
(\*\*) Term: **15 Years**  
(21) Appl. No.: **29/627,321**

D608,947 S \* 1/2010 Schmitz ..... D28/35  
D609,857 S \* 2/2010 Schmitz ..... D28/15  
D771,310 S \* 11/2016 He ..... D28/15  
D795,595 S \* 8/2017 Exley ..... D4/121  
D804,188 S \* 12/2017 Du ..... D4/100  
D815,837 S \* 4/2018 Zhou ..... D4/100  
D816,899 S \* 5/2018 Duan ..... D28/35  
D824,173 S \* 7/2018 Richmond ..... D4/100  
D826,567 S \* 8/2018 Yan ..... D4/100  
2008/0283081 A1\* 11/2008 Habibi ..... A45D 1/04  
132/224

(22) Filed: **Nov. 26, 2017**  
(51) **LOC (12) Cl.** ..... **28-03**  
(52) **U.S. Cl.**  
USPC ..... **D28/15**  
(58) **Field of Classification Search**  
USPC ..... D24/15, 13, 10, 21, 24-26, 28; 132/229,  
132/231, 232, 226, 227  
CPC ..... A45D 2/2002; A45D 2/001; A45D 2/00;  
A45D 2/24; A45D 2/26; A45D 2/30;  
A45D 2/42; A45D 1/08; A45D 1/14;  
A45D 1/00; A45D 1/04; A45D 1/06;  
A45D 1/28; A45D 24/48; A45D 24/007;  
A45D 24/00  
See application file for complete search history.

\* cited by examiner

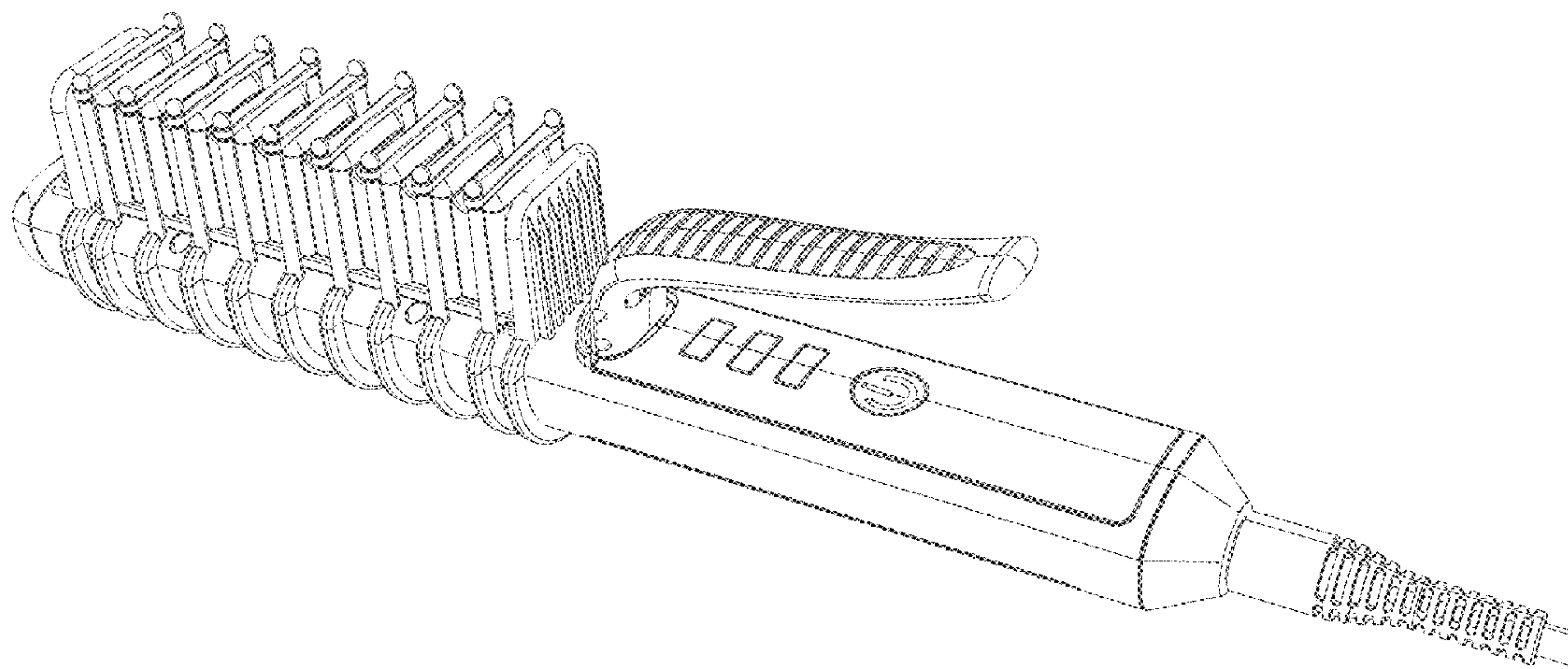
*Primary Examiner* — Susan Bennett Hattan  
*Assistant Examiner* — Rebecca Tsehaye  
(74) *Attorney, Agent, or Firm* — Justin Lampel

(56) **References Cited**  
U.S. PATENT DOCUMENTS  
D441,137 S \* 4/2001 McCurrach ..... D28/13  
D455,861 S \* 4/2002 McCurrach ..... D28/10  
D607,603 S \* 1/2010 Schmitz ..... D28/35

(57) **CLAIM**  
The ornamental design for a hair straightener comb, as shown and described.

**DESCRIPTION**  
FIG. 1 is a perspective view of a hair straightener comb showing my new design;  
FIG. 2 is a front view thereof;  
FIG. 3 is a rear side view thereof;  
FIG. 4 is a right side view thereof;  
FIG. 5 is a left side view thereof;  
FIG. 6 is a bottom view thereof; and,  
FIG. 7 is a top view thereof.

**1 Claim, 6 Drawing Sheets**



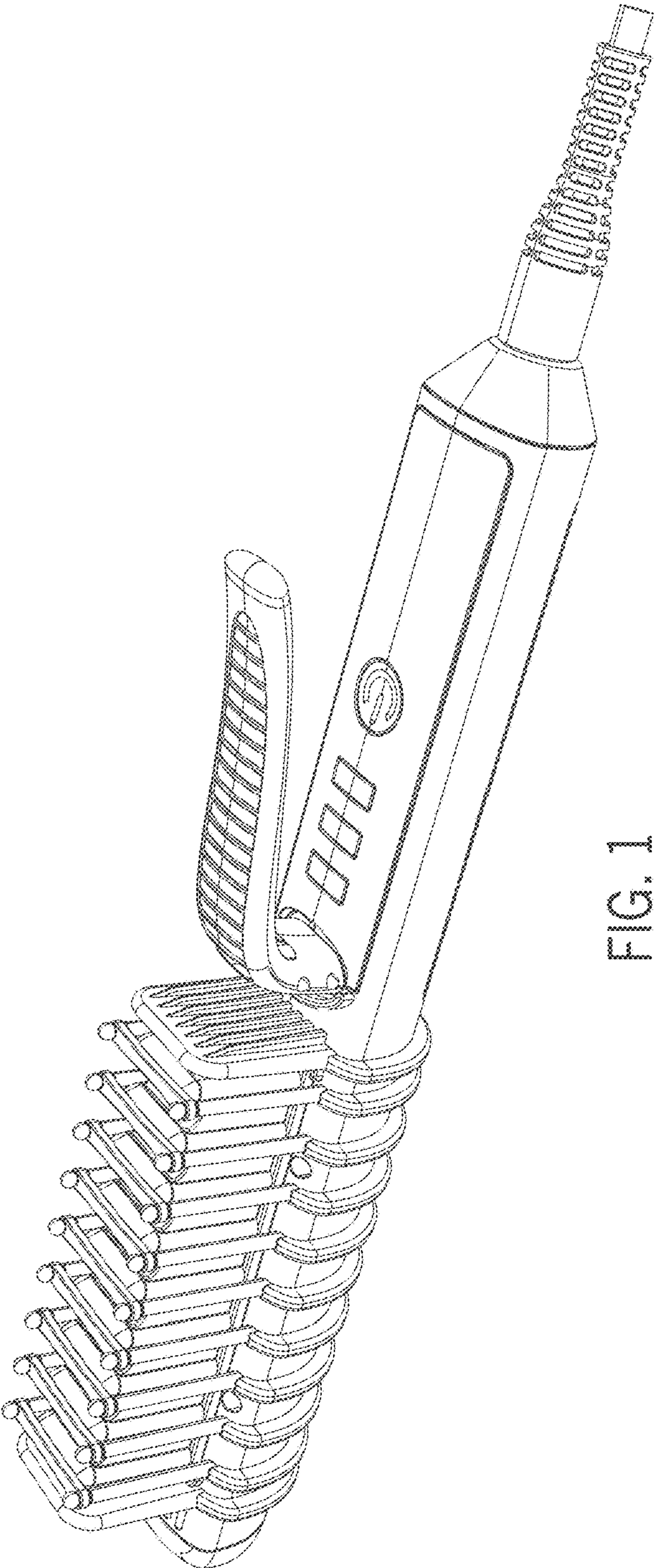


FIG. 1

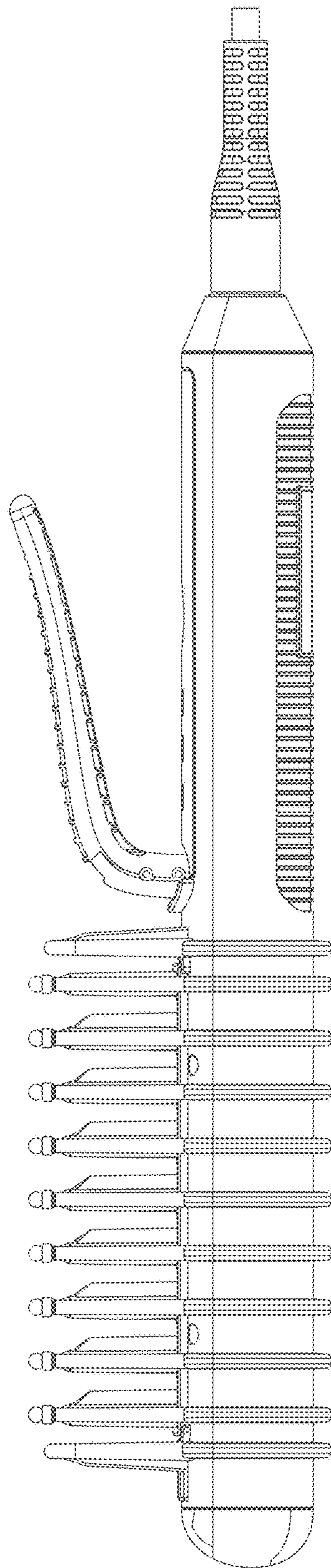


FIG. 2



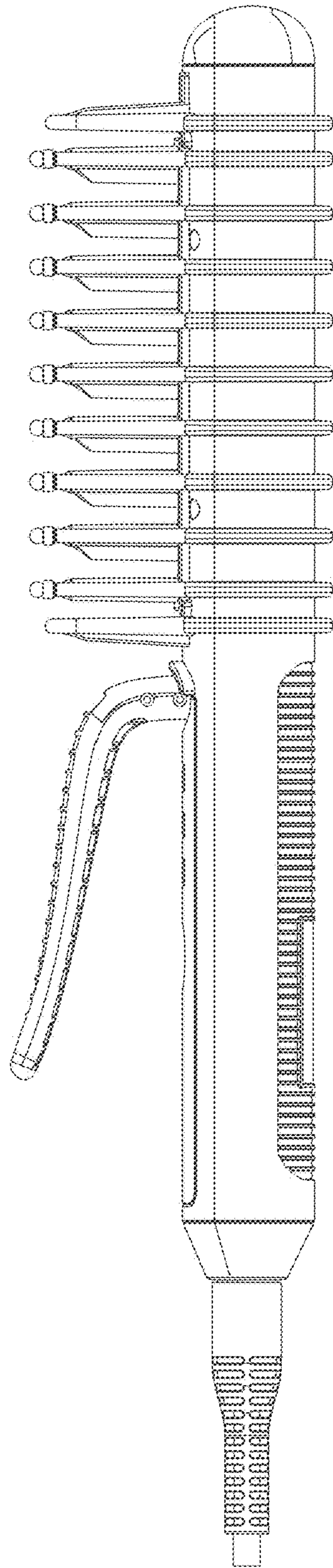


FIG. 3

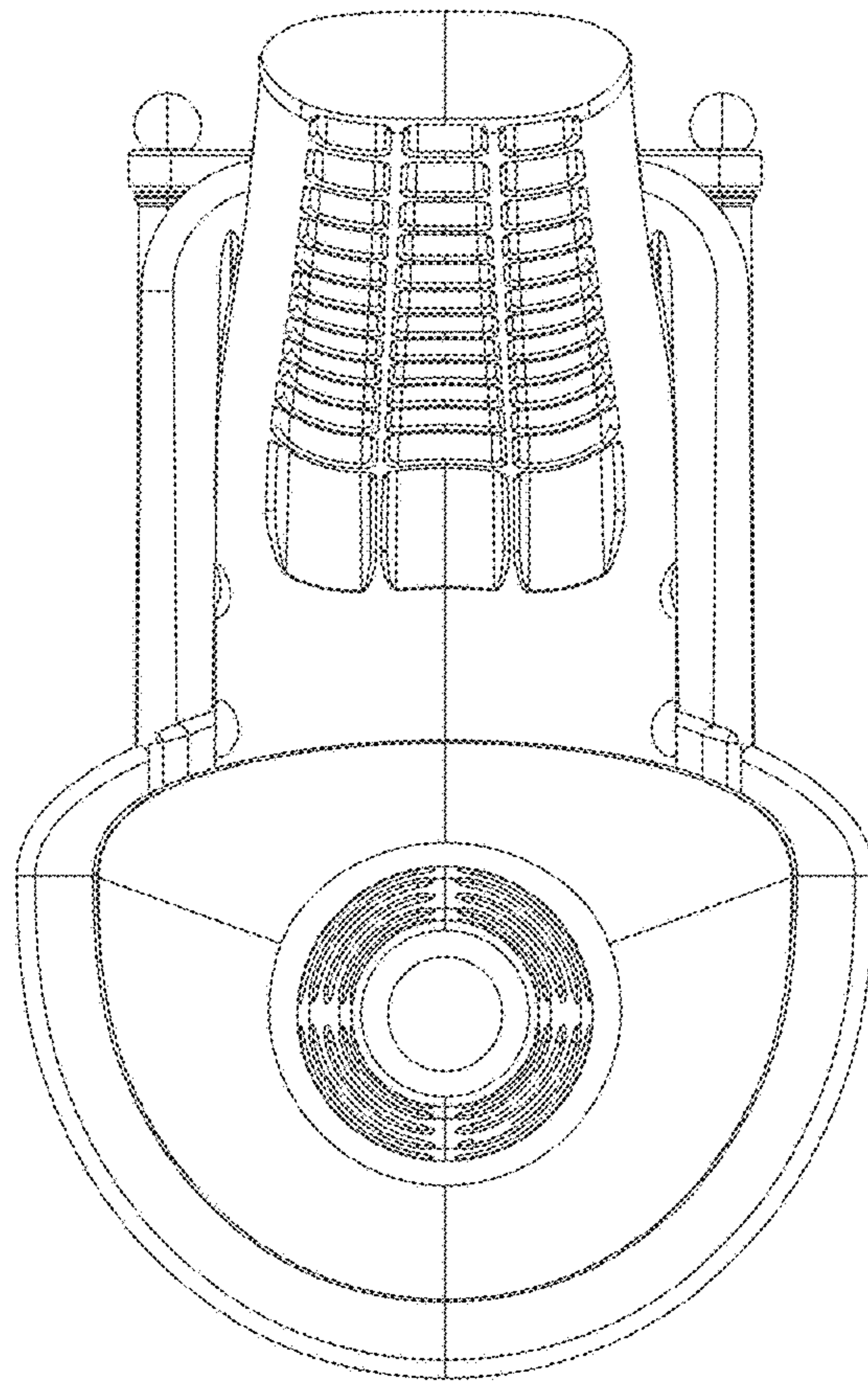


FIG. 4

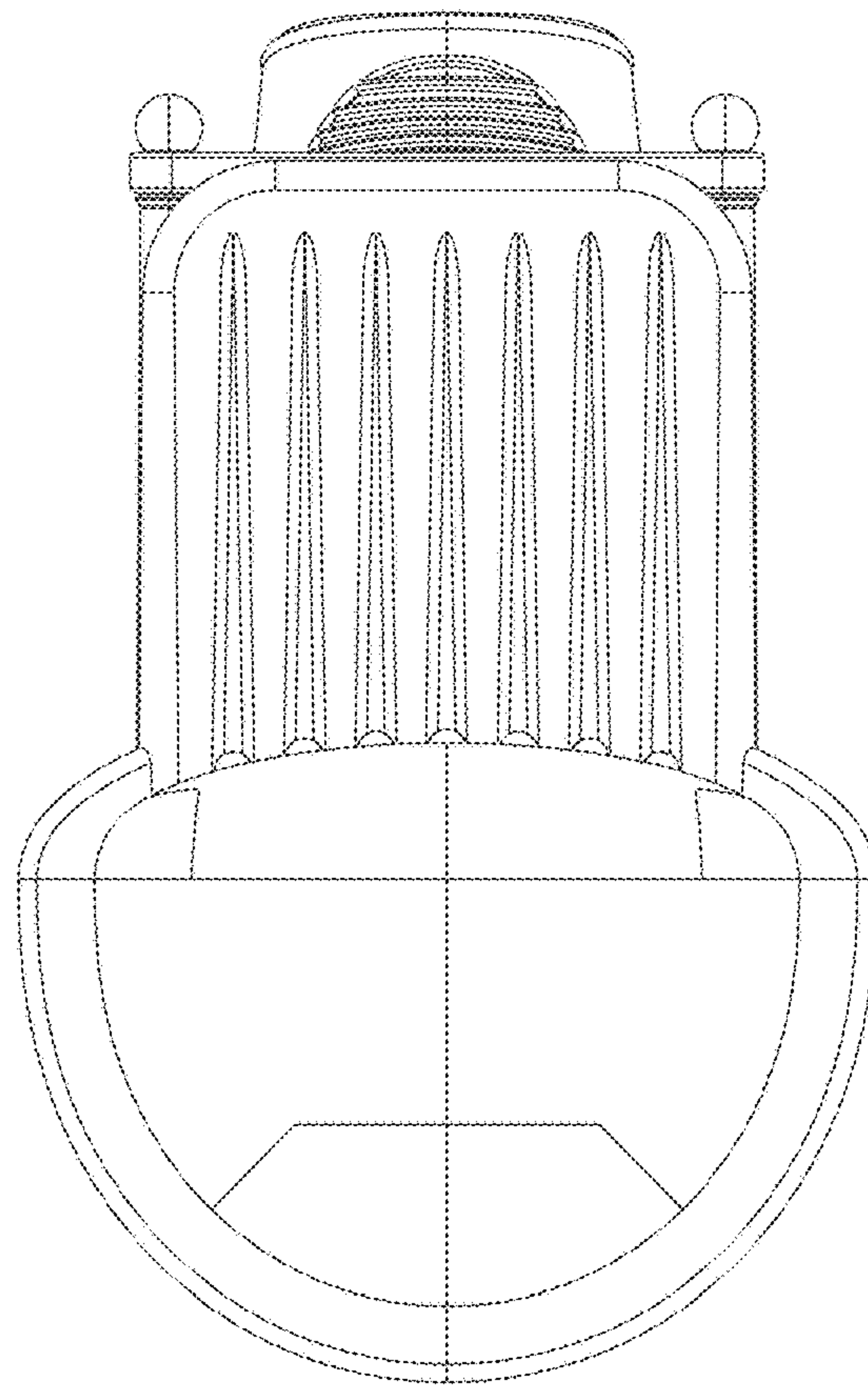


FIG. 5

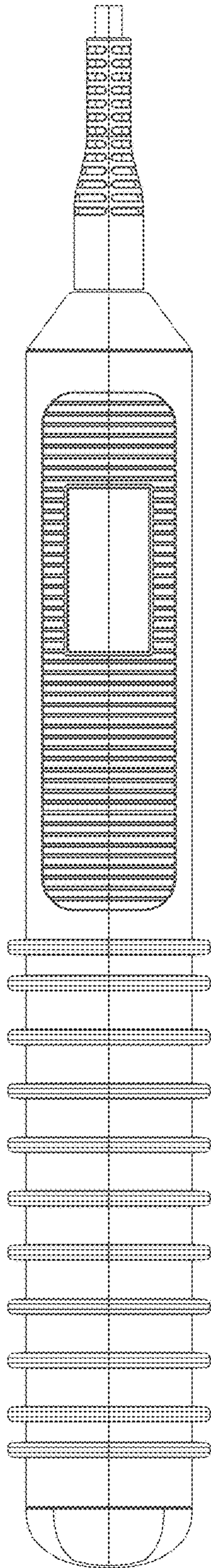


FIG. 6

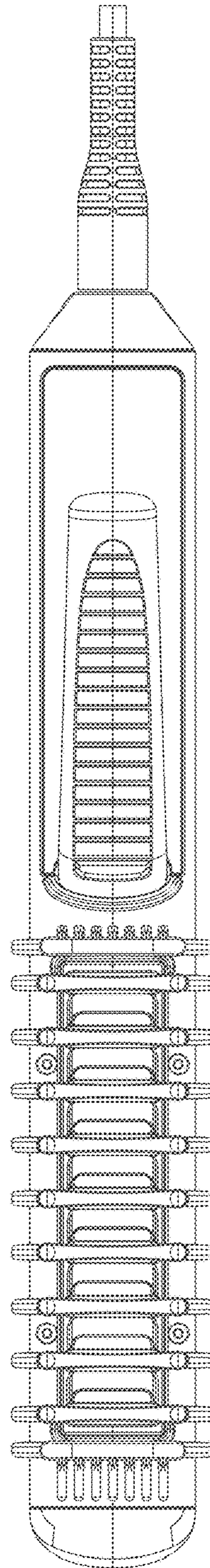


FIG. 7