



US00D858871S

(12) **United States Design Patent**
Concepcion

(10) **Patent No.:** **US D858,871 S**

(45) **Date of Patent:** **** Sep. 3, 2019**

(54) **CIGAR HOLDER**

(71) Applicant: **Roberto Concepcion**, New Orleans, LA (US)

(72) Inventor: **Roberto Concepcion**, New Orleans, LA (US)

(**) Term: **15 Years**

(21) Appl. No.: **29/567,462**

(22) Filed: **Jun. 9, 2016**

Related U.S. Application Data

(63) Continuation of application No. 29/495,174, filed on Jun. 27, 2014, now abandoned.

(51) **LOC (12) Cl.** **27-06**

(52) **U.S. Cl.**
USPC **D27/172**

(58) **Field of Classification Search**
USPC D27/170, 172, 183, 186, 193, 194;
131/187, 250, 331, 332
CPC A24F 13/02; A24F 13/22; A24F 47/008;
A24D 3/066; A61M 11/042
See application file for complete search history.

(56) **References Cited**

U.S. PATENT DOCUMENTS

D364,480 S *	11/1995	Warren, Sr.	D27/183
D485,639 S *	1/2004	Stronski	D27/170
D505,963 S *	6/2005	Conway	D15/139
D527,401 S *	8/2006	Mizuno	D15/144
D683,070 S *	5/2013	Laone	D27/195
D687,874 S *	8/2013	Furujo	D15/144.2

D698,651 S *	2/2014	Sommer	D9/453
D707,389 S *	6/2014	Liu	D27/194
D724,264 S *	3/2015	Chambers	D27/101
D724,265 S *	3/2015	Alima	D27/167
D728,647 S *	5/2015	Savill, Jr.	D15/144
D729,440 S *	5/2015	Liu	D27/101
D744,696 S *	12/2015	Malhi	D27/169
D748,174 S *	1/2016	Hassan	D15/144
D798,497 S *	9/2017	Scheiber	D27/101
2016/0157522 A1 *	6/2016	Zhu	A24F 47/008 131/329
2016/0206006 A1 *	7/2016	Li	H05B 1/0202

* cited by examiner

Primary Examiner — Ian Simmons

Assistant Examiner — Yolanda Robinson

(74) *Attorney, Agent, or Firm* — Mark Terry

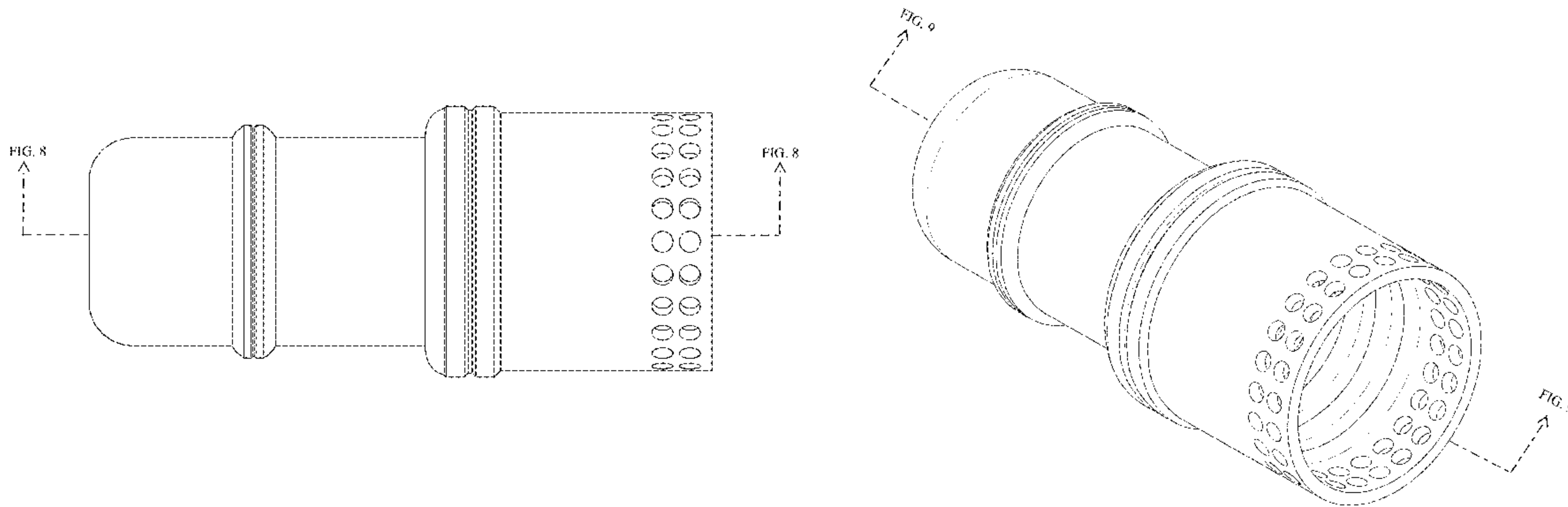
(57) **CLAIM**

The ornamental design for a cigar holder, as shown and described.

DESCRIPTION

FIG. 1 is a side view of a cigar holder, showing the new design;
 FIG. 2 is a front perspective view thereof;
 FIG. 3 is a rear perspective view thereof;
 FIG. 4 is another front perspective view thereof;
 FIG. 5 is a rear view thereof;
 FIG. 6 is a front view thereof;
 FIG. 7 is another rear perspective view thereof;
 FIG. 8 is a side cross-sectional view of FIG. 1 thereof; and,
 FIG. 9 is a front perspective cross-sectional view of FIG. 2 thereof.

1 Claim, 8 Drawing Sheets



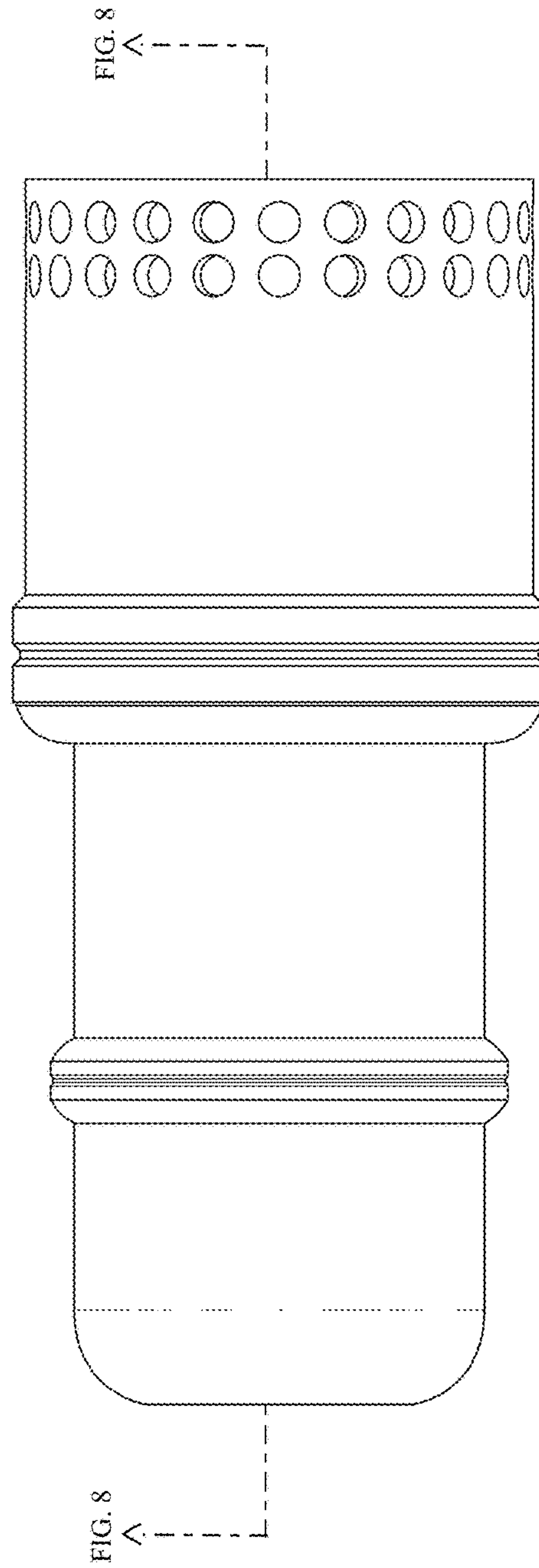


Fig. 1

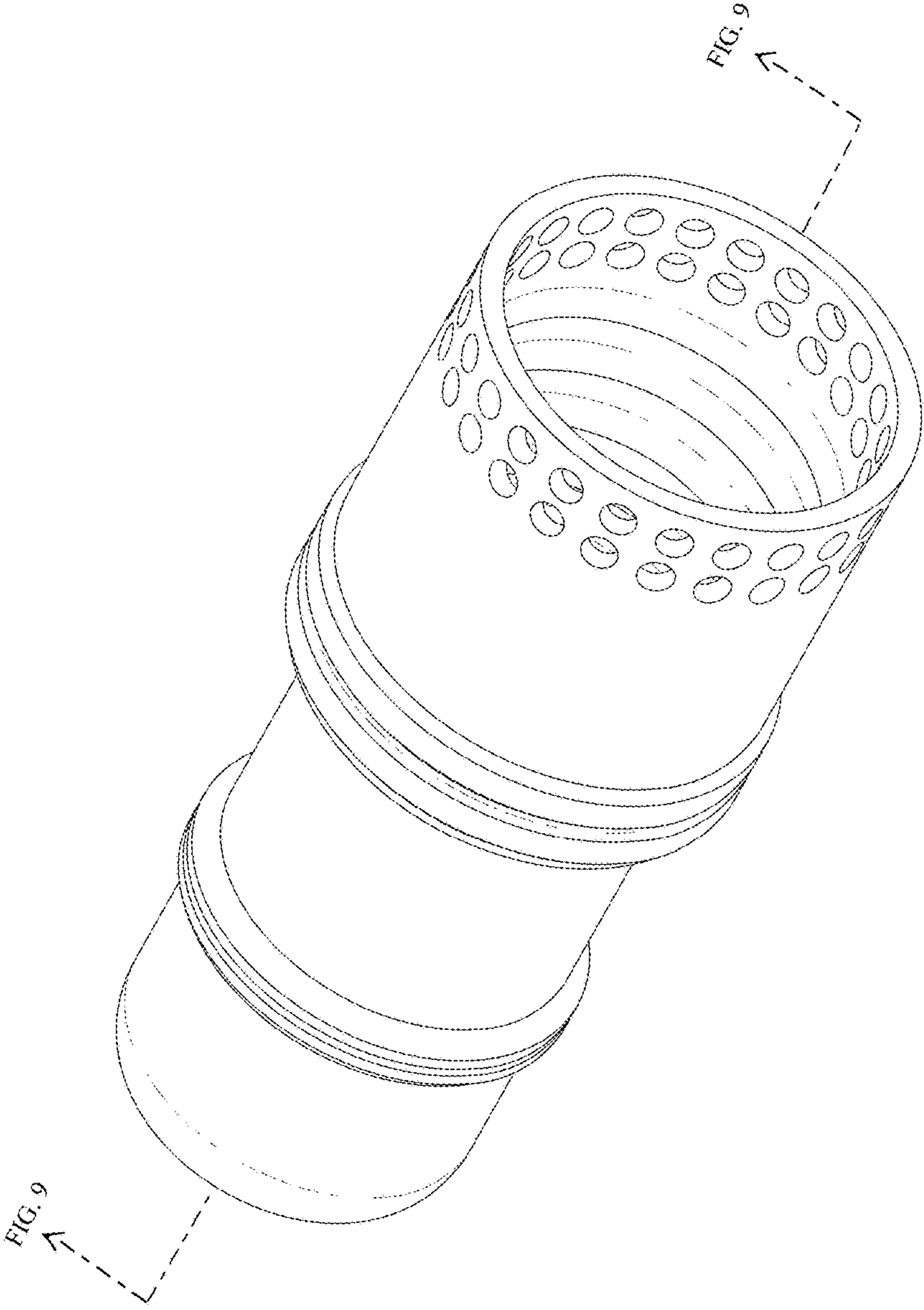


Fig. 2

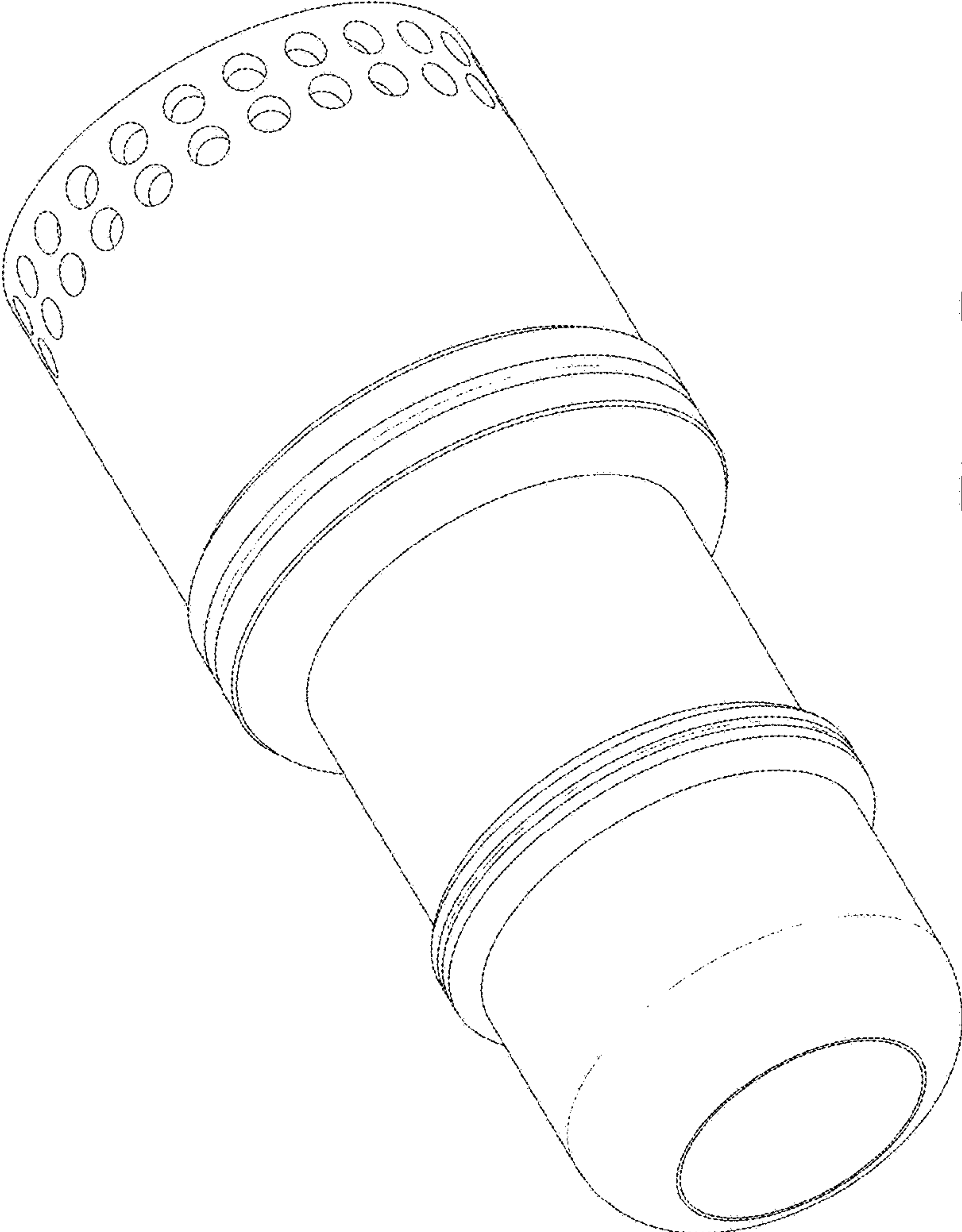


Fig. 3

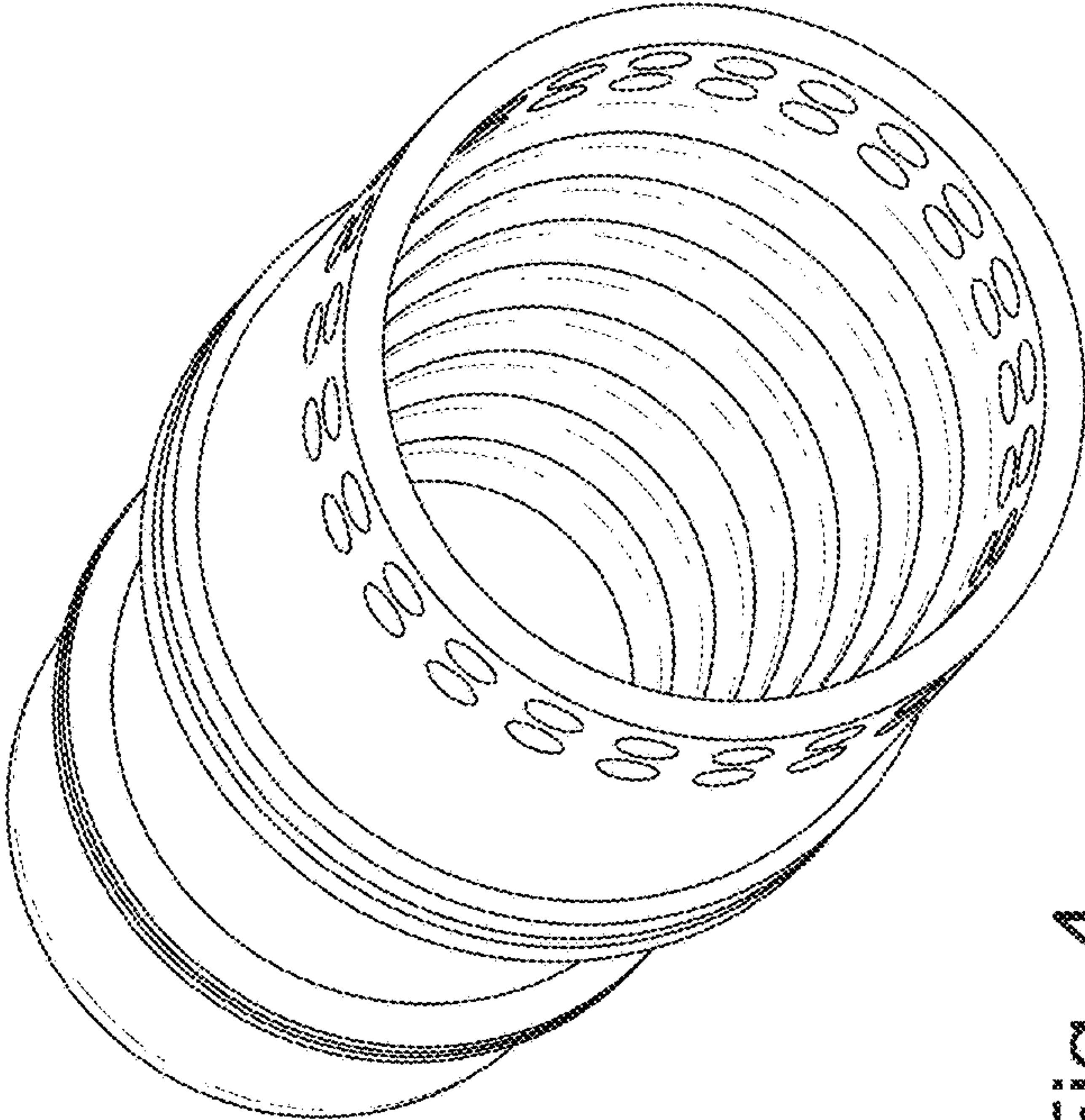


Fig. 4

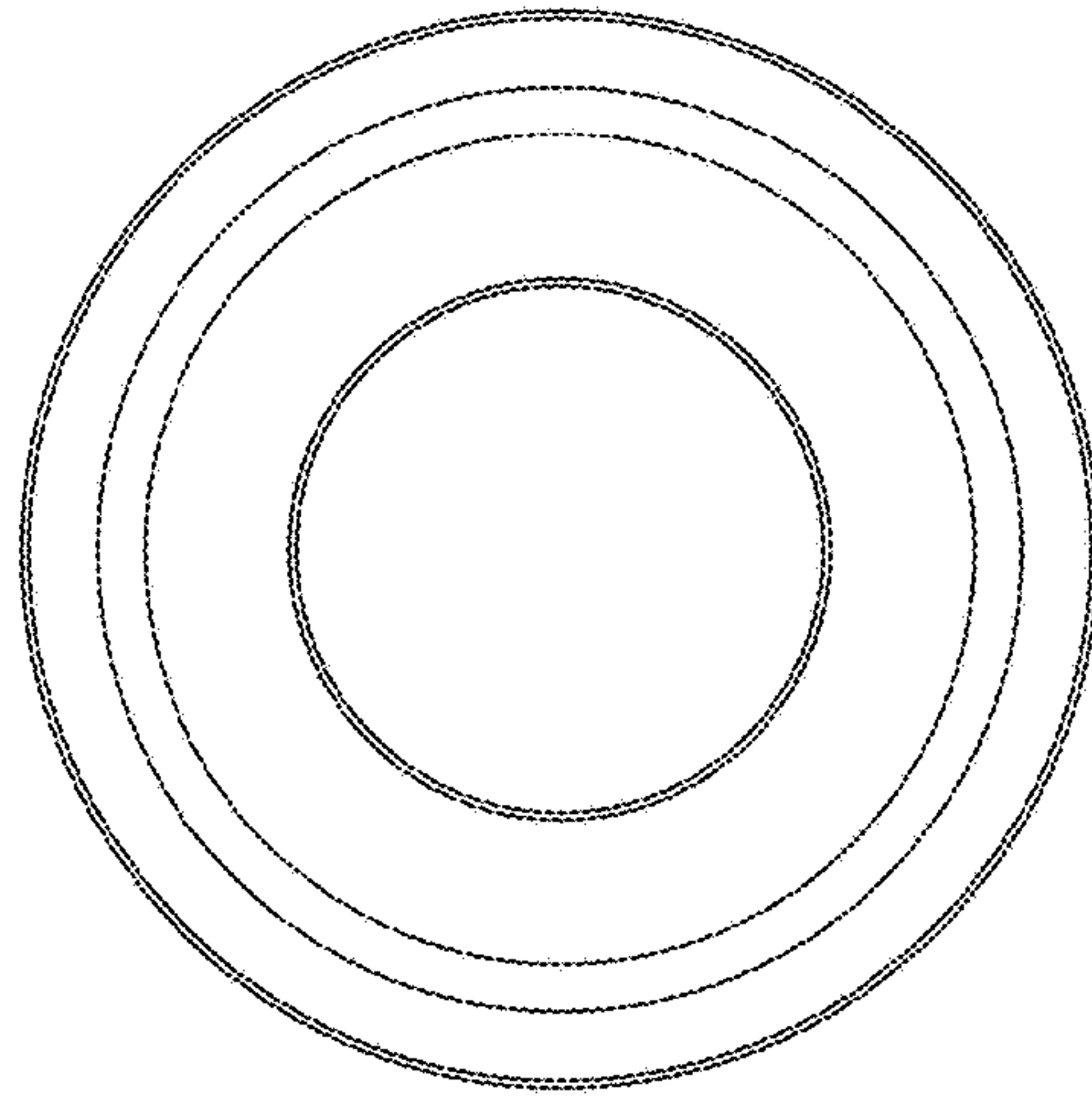


Fig. 5

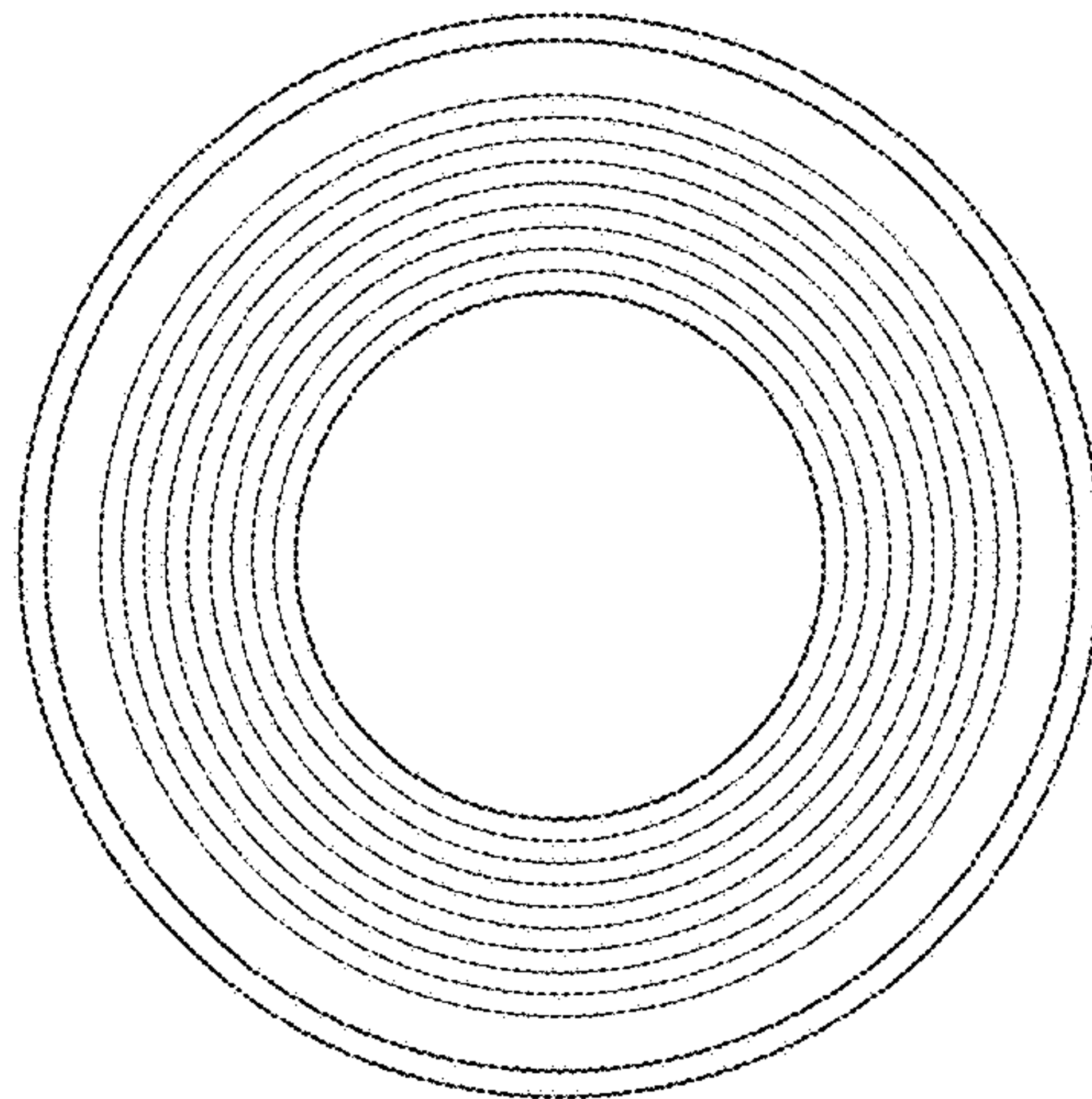


Fig. 6

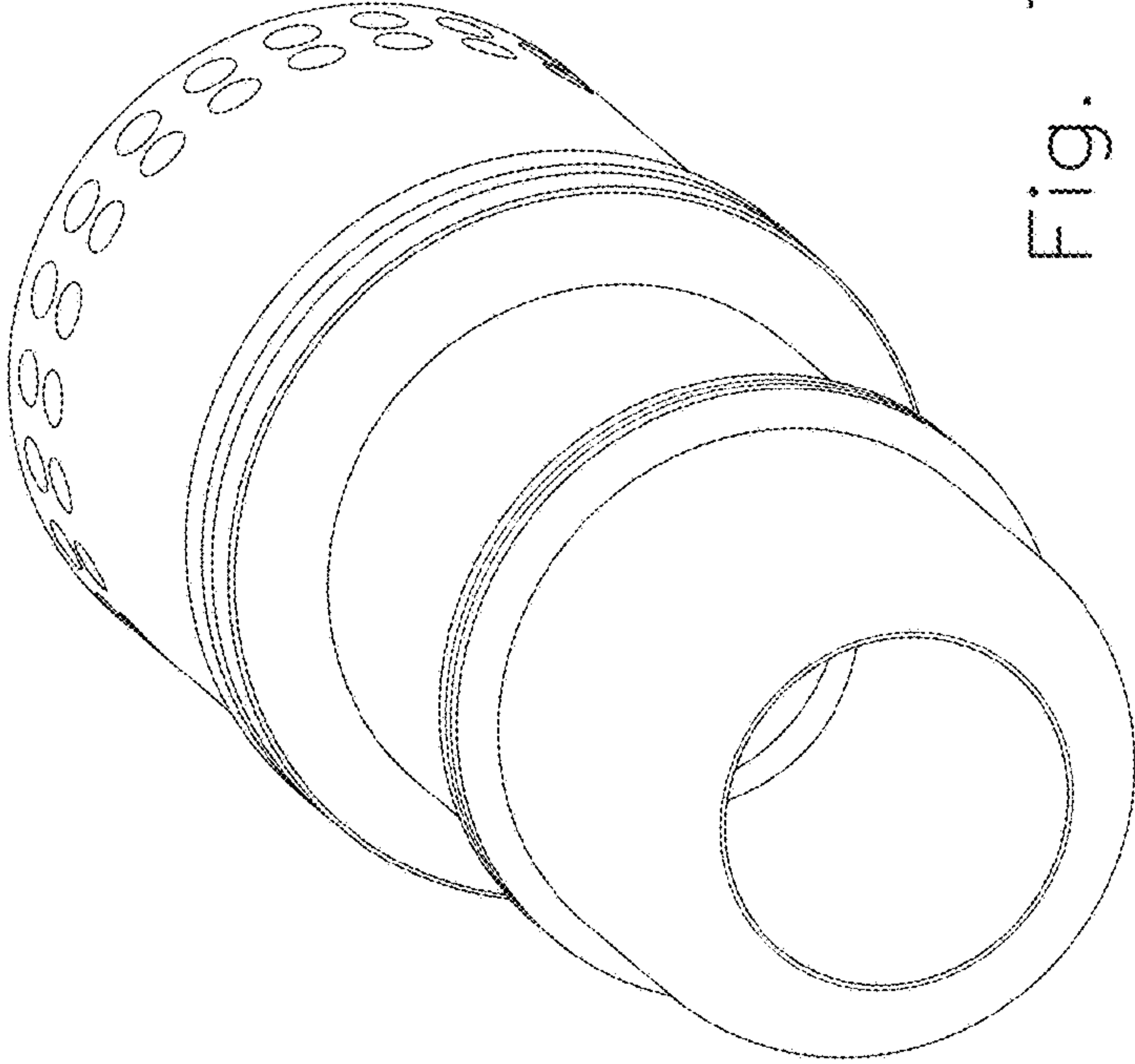


Fig. 7

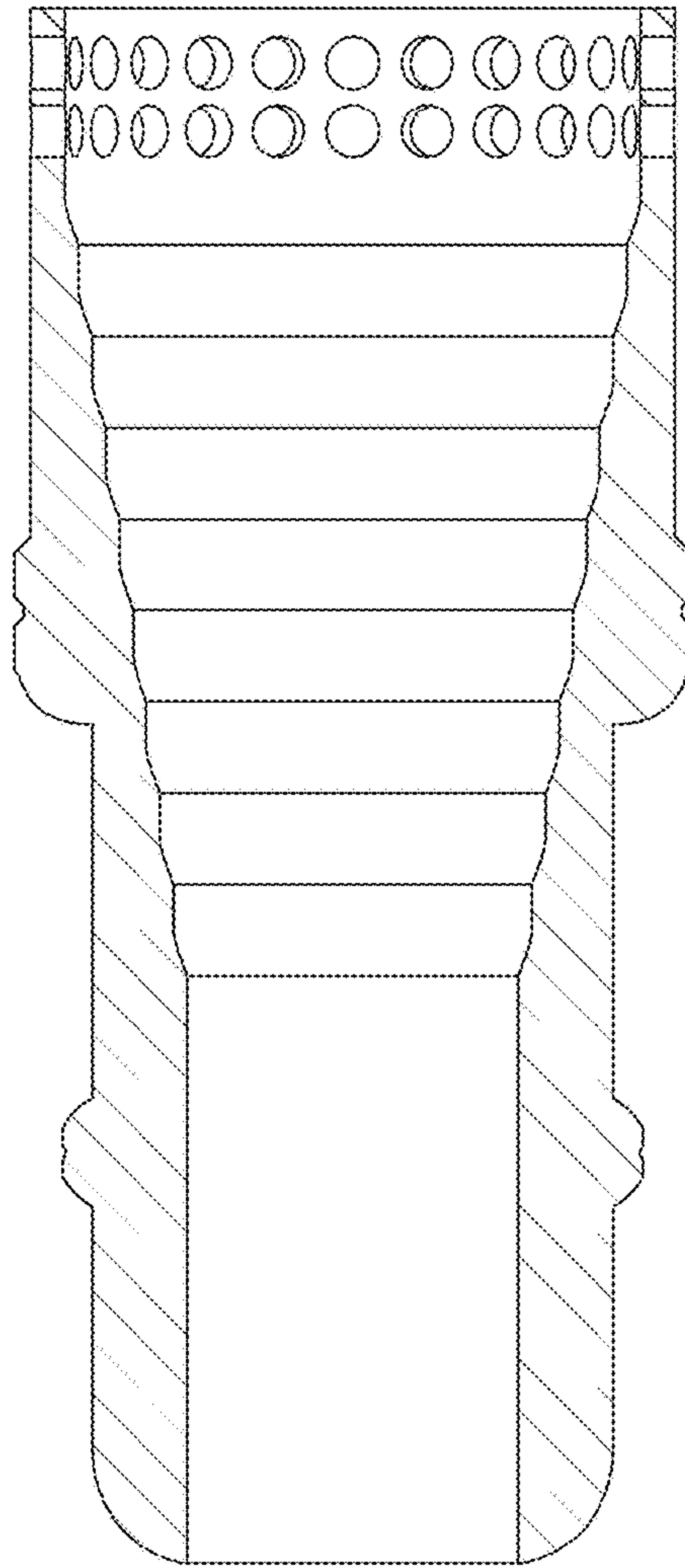


Fig. 8

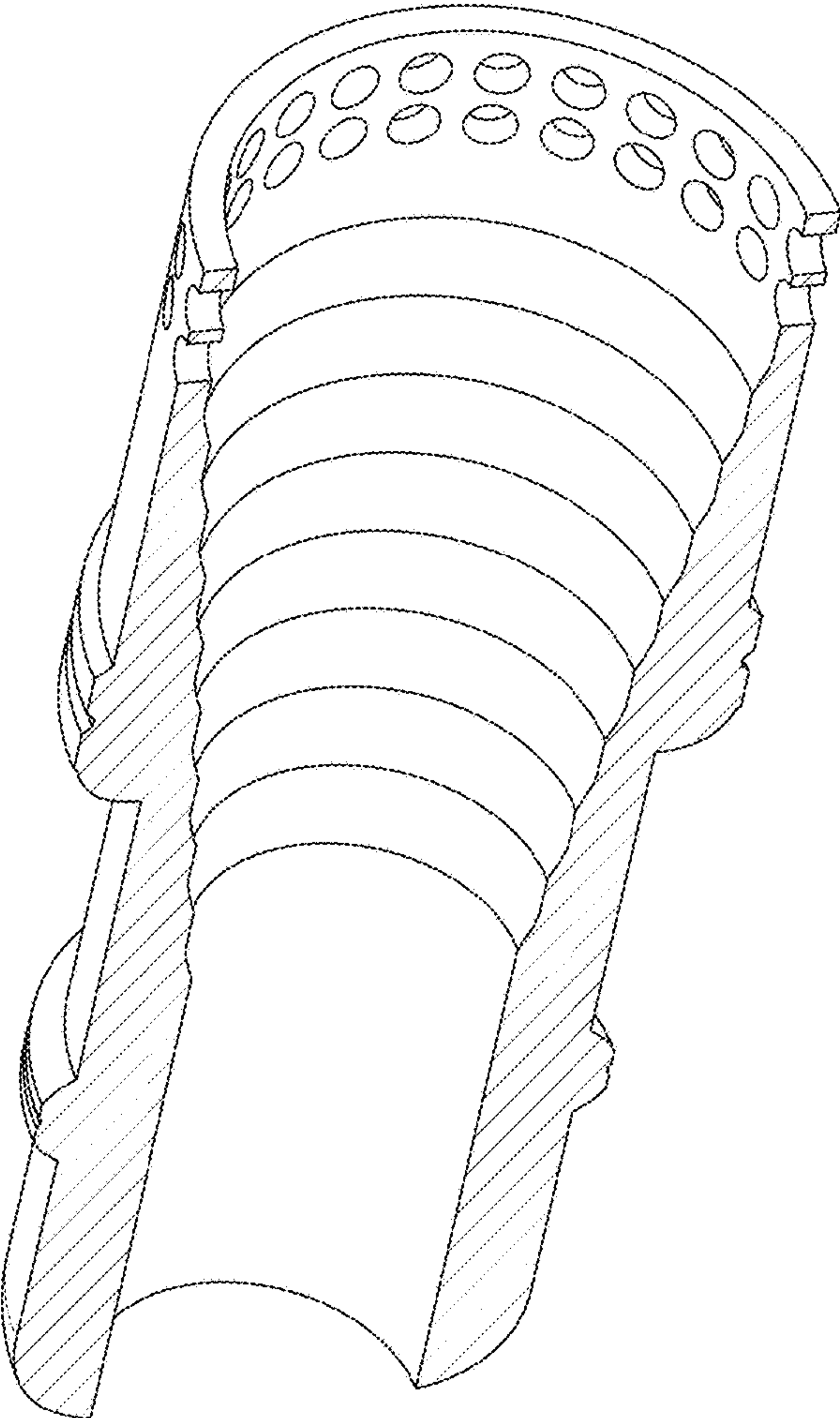


Fig. 9