



US00D858870S

(12) **United States Design Patent** (10) **Patent No.:** **US D858,870 S**
Bowen et al. (45) **Date of Patent:** **** Sep. 3, 2019**

(54) **VAPORIZER CARTRIDGE**

(56) **References Cited**

- (71) Applicant: **JUUL Labs, Inc.**, San Francisco, CA (US)
- (72) Inventors: **Adam Bowen**, San Francisco, CA (US); **Steven Christensen**, San Francisco, CA (US); **Christopher Nicholas HibmaCronan**, Oakland, CA (US); **James Monsees**, San Francisco, CA (US); **Joshua Morenstein**, San Francisco, CA (US)
- (73) Assignee: **JUUL Labs, Inc.**, San Francisco, CA (US)
- (**) Term: **15 Years**
- (21) Appl. No.: **29/662,037**
- (22) Filed: **Aug. 31, 2018**

U.S. PATENT DOCUMENTS

595,070	A	12/1897	Oldenbusch	
2,897,958	A	8/1959	Tarleton et al.	
2,956,569	A	10/1960	Adams	
3,723,048	A	3/1973	Russell	
3,918,451	A	11/1975	Steil	
D299,066	S *	12/1988	Newell	D24/110
5,479,948	A	1/1996	Counts et al.	
D379,810	S	6/1997	Giordano, Jr. et al.	
5,746,587	A	5/1998	Racine et al.	
D405,007	S	2/1999	Naas, Sr.	
D422,884	S	4/2000	Lafond	
6,743,030	B2	6/2004	Lin et al.	
D514,741	S	2/2006	Cohen Harel	
7,000,775	B2	2/2006	Gelardi et al.	
D532,927	S	11/2006	Sann	
7,214,075	B2	5/2007	He et al.	
D558,060	S	12/2007	Sir	
7,318,435	B2	1/2008	Pentafragas	
D566,709	S	4/2008	Kim	
D571,556	S	6/2008	Raile	
D573,464	S	7/2008	Kogure et al.	
7,644,823	B2	1/2010	Gelardi et al.	
D616,753	S	6/2010	Beam et al.	
D645,817	S	9/2011	Sasada et al.	
D647,101	S *	10/2011	Huang	D14/480.7
D664,636	S	7/2012	Robinson et al.	
D669,530	S *	10/2012	Hung	D19/166
D675,777	S	2/2013	Wu	
8,371,709	B2	2/2013	Cheng	
D688,415	S	8/2013	Kim	
8,522,776	B2	9/2013	Wright et al.	
D703,679	S *	4/2014	Chen	D14/480.1
D703,680	S *	4/2014	Lin	D14/480.1
8,695,794	B2	4/2014	Scatterday	
8,707,965	B2	4/2014	Newton	
D707,688	S *	6/2014	Wu	D14/480.1
D711,389	S *	8/2014	Sun	D14/480.5
D711,891	S *	8/2014	Emami	D14/480.5
8,794,231	B2	8/2014	Thorens et al.	
D718,492	S	11/2014	Albanese	
8,955,522	B1	2/2015	Bowen et al.	
D724,782	S	3/2015	Wu	
D729,441	S	5/2015	Hua	
D738,038	S	9/2015	Smith	
D739,973	S	9/2015	Chao	
9,167,849	B2	10/2015	Adamic	
D745,388	S	12/2015	Taylor	
D749,261	S	2/2016	Chen	
D750,320	S	2/2016	Verleur et al.	

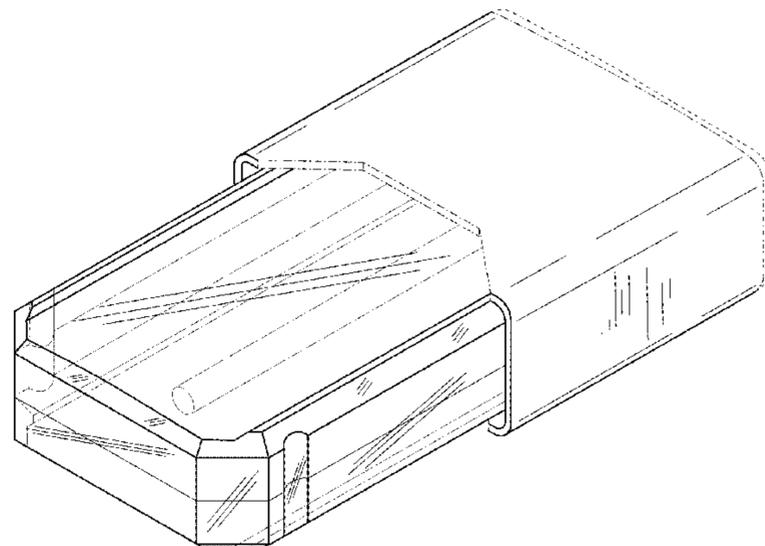
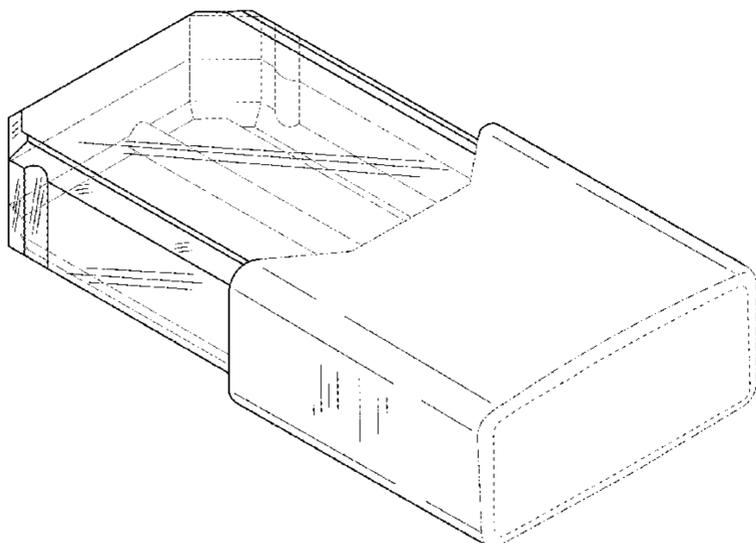
Related U.S. Application Data

- (63) Continuation of application No. 35/001,170, filed on Jul. 28, 2016 (U.S. filing date under 35 U.S.C. 384), and having an international filing date of Mar. 11, 2016, now Pat. No. Des. 842,536.

Foreign Application Priority Data

- Feb. 8, 2016 (CN) 2016 3 0043696

- (51) **LOC (12) Cl.** **27-02**
- (52) **U.S. Cl.**
USPC **D27/162**
- (58) **Field of Classification Search**
USPC D24/110; D27/100-102, 163, 165-167, D27/193-194
CPC A24F 1/26; A24F 1/30; A24F 3/00; A24F 7/00; A24F 15/00; A24F 23/00; A24F 23/02; A24F 47/00; A24F 47/002; A24F 47/008
See application file for complete search history.



CN	303686002	5/2016
CN	303721535	6/2016
CN	205390306 U	7/2016
EM	002626416-002	4/2015
EP	3015010 A1	5/2016
EP	3031339 A1	6/2016
EP	3103356 A1	12/2016
EP	3111787 A1	1/2017
EP	3143882 A3	3/2017
EP	3158881 A1	4/2017
JP	D1144098	6/2002
KR	30-0825216	11/2015
WO	WO-2013113612 A1	8/2013
WO	WO-2014040915 A1	3/2014
WO	WO-2015073564 A1	5/2015
WO	WO-2015157900 A1	10/2015
WO	WO-2015190810 A1	12/2015
WO	WO-2016023173 A1	2/2016
WO	WO-2016123779 A1	8/2016
WO	WO-2016127839 A1	8/2016
WO	WO-2016177604 A1	11/2016
WO	WO-2016201606 A1	12/2016
WO	WO-2017007252 A1	1/2017
WO	WO-2017093452 A1	6/2017
WO	WO-2017102633 A1	6/2017
WO	WO-2017143865 A1	8/2017

OTHER PUBLICATIONS

“Checking Your Browser before Accessing Wwww.bulkofficesupply.com.” *Discount Office Supplies, Office Paper Products Legal Supplies*, www.bulkofficesupply.com/Products/Baumgartens-Single-Hole-Trap-Door-Pencil-Sharpener-with-Eraser_BAU19550.aspx, retrieved Mar. 17, 2019.

Breland, Alison, et al. “Electronic cigarettes: what are they and what do they do?.” *Annals of the New York Academy of Sciences* 1394.1 (2017): 5-30.

Electronic Vaporization Device with Cartridge | JUUL Pod | JUUL Vapor, Posted Jun. 3, 2015, Juulvapor.com, retrieved Nov. 24, 2015, <https://www.juulvapor.com/shopjuul/>.

IJOY. “Who we are.” IJOY Diamond PD270 Kit, Date Accessed Feb. 20, 2018. www.ijoycig.com/product/item-473.html.

iWand Rectangular Pen Shape Design Flat Short Mouth Holder 1.0ML Tank Atomizer LED Display 800mAh Rechargeable E—Cigarette Set—Colorful, https://www.gearbest.com/electronic-cigarettes/pp_15466.html, accessed Jan. 25, 2019.

Joye eGo-Tank System XXL 1000mAh Starter Kit, <https://www.myvaporstore.com/eGo-Tank-System-XXL-1000mAh-Starter-Kit-p/ego-t-xxlkit.htm>.

Modello iWand, https://www.youtube.com/watch?v=_brQOLDqHX0, Youtube, Dec. 28, 2012.

PAX Labs, Inc.; JUUL product information Ó2016; retrieved from <https://www.juulvapor.com/shop-juul/>; 6 pgs.; retrieved Mar. 9, 2016.

Pierce, D. This Might Just Be the First Great E-Cig. {online} Wired, Published on Apr. 21, 2015. Available at: https://www.wired.com/2015/04/pax-juul-ecig/?mbid=social_twitter.

Rose Plastic. *Rose Plastic: Innovations in Plastic Packaging*, [www.rose-plastic.us/2030.0.html?&L=4p?id=2337id=2345iel25%world-wide unique plastic packaging with remarkable diversity](http://www.rose-plastic.us/2030.0.html?&L=4p?id=2337id=2345iel25%world-wide%unique%plastic%packaging%with%remarkable%diversity), retrieved Mar. 17, 2019.

The Verge. Startup behind the Lambo of vaporizers jt launched an intelligent e-cigarette. [online], published on Apr. 21, 2015. Available at: <https://www.theverge.com/2015/4/21/8458629/pax-labs-e-cigarette-juul>.

* cited by examiner

Primary Examiner — Michael A. Pratt

(74) *Attorney, Agent, or Firm* — Mintz Levin Cohn Ferris Glovsky and Popeo, P.C.

(57) CLAIM

The ornamental design for a vaporizer cartridge, as shown and described.

DESCRIPTION

FIG. 1 is a right side, front, and top perspective view of a vaporizer cartridge showing a first embodiment of our design;

FIG. 2 is a bottom, front, and right side perspective view thereof;

FIG. 3 is a front view thereof, the rear view thereof being identical;

FIG. 4 is a left side view thereof, the right side view thereof being identical;

FIG. 5 is bottom view thereof; and

FIG. 6 is a top view thereof.

FIG. 7 is a right side, front, and top perspective view of a vaporizer cartridge showing a second embodiment of our design;

FIG. 8 is a bottom, front, and right side perspective view thereof;

FIG. 9 is a front view thereof, the rear view thereof being identical;

FIG. 10 is a left side view thereof, the right side view thereof being identical;

FIG. 11 is bottom view thereof; and

FIG. 12 is a top view thereof.

FIG. 13 is a right side, front, and top perspective view of a vaporizer cartridge showing a third embodiment of our design;

FIG. 14 is a bottom, front, and right side perspective view thereof;

FIG. 15 is a front view thereof, the rear view thereof being identical;

FIG. 16 is a left side view thereof, the right side view thereof being identical;

FIG. 17 is bottom view thereof; and

FIG. 18 is a top view thereof.

FIG. 19 is a right side, front, and top perspective view of a vaporizer cartridge showing a fourth embodiment of our design;

FIG. 20 is a bottom, front, and right side perspective view thereof;

FIG. 21 is a front view thereof, the rear view thereof being identical;

FIG. 22 is a left side view thereof, the right side view thereof being identical;

FIG. 23 is bottom view thereof; and,

FIG. 24 is a top view thereof.

The dash-dash broken lines illustrate portions of the vaporizer cartridge that form no part of the claimed design.

The dash-dot lines illustrate boundary lines that form no part of the claimed design. The areas within the dash-dot lines form no part of the claimed design.

1 Claim, 24 Drawing Sheets

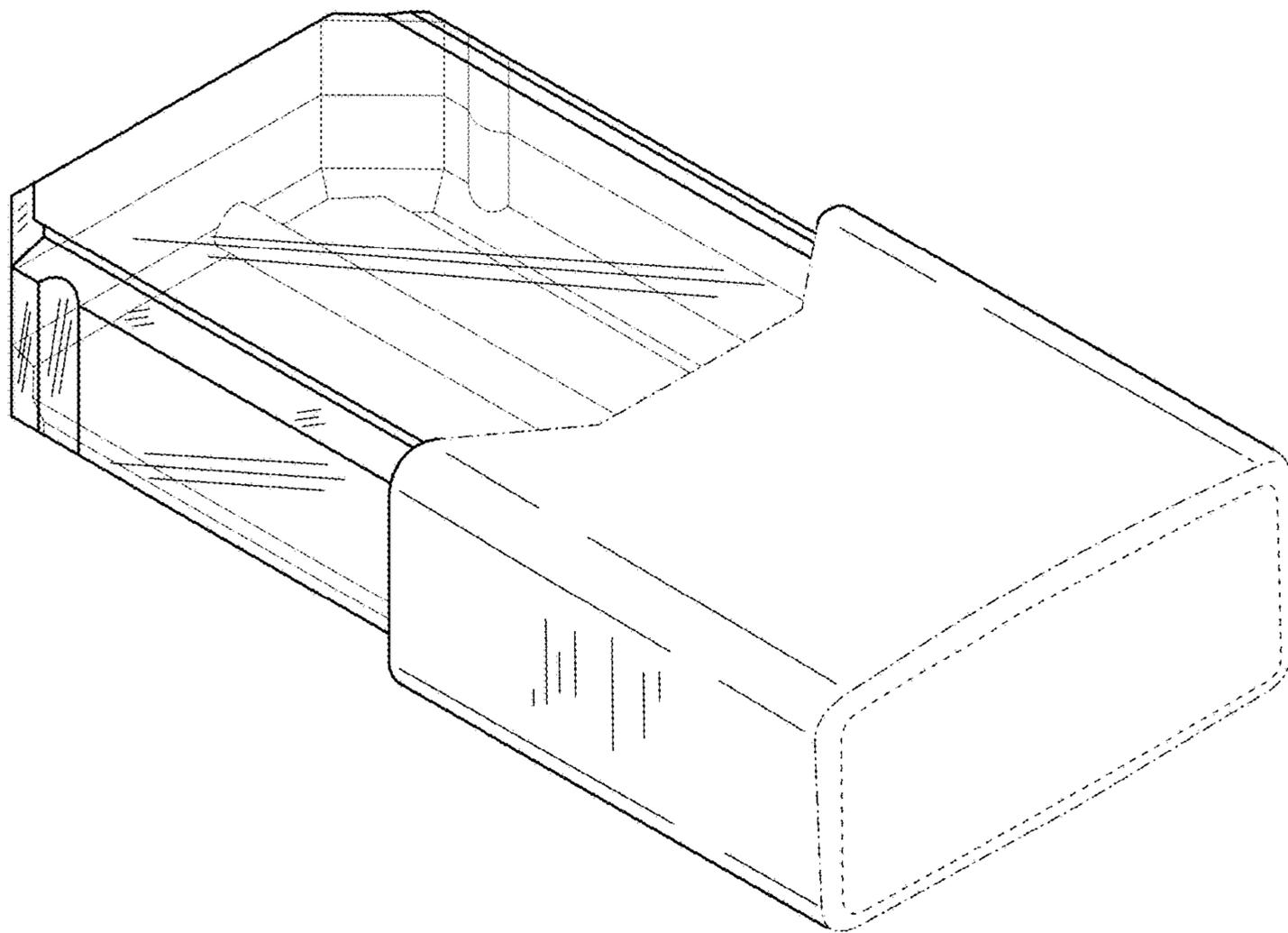


FIG.1

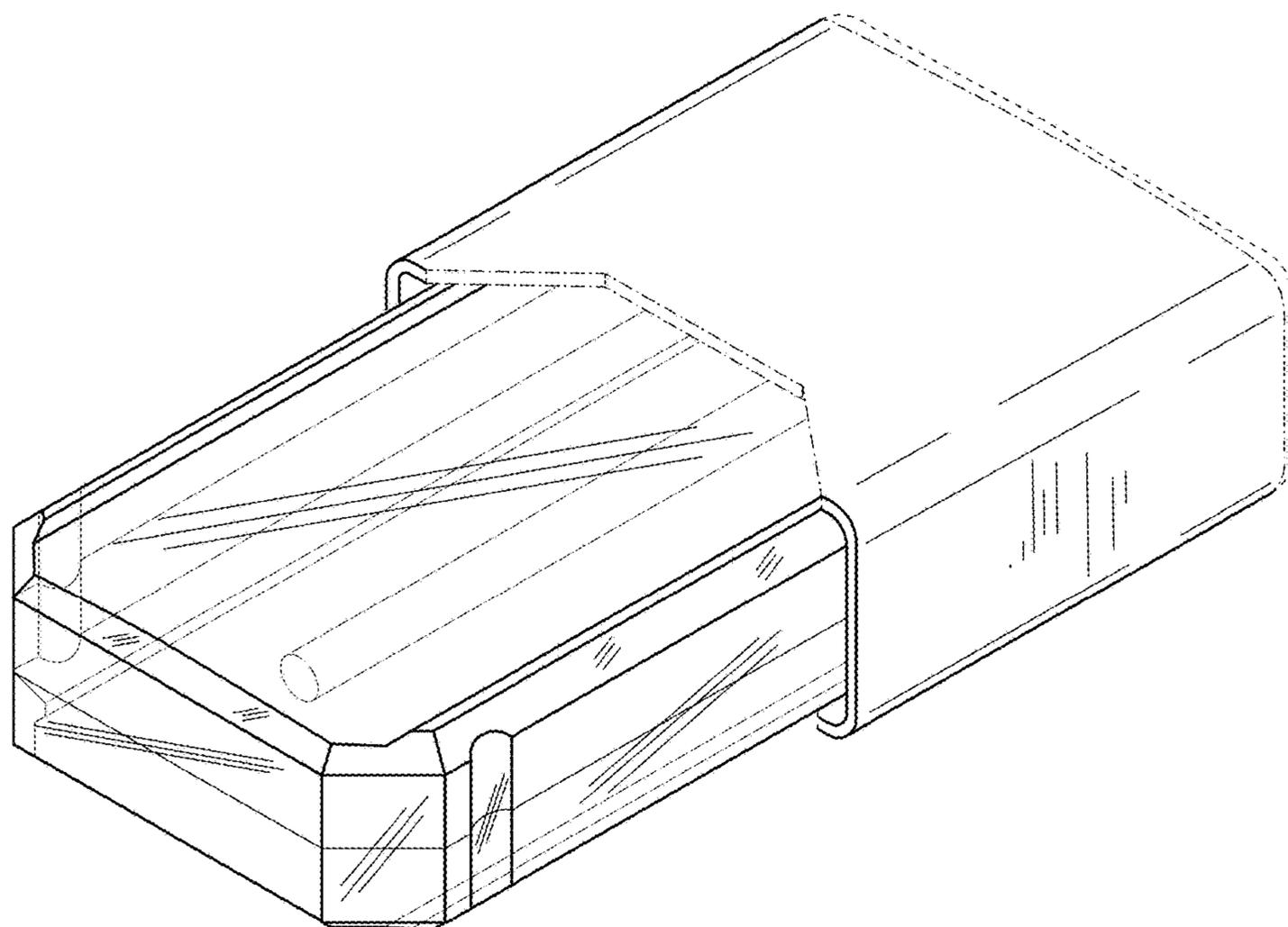


FIG.2

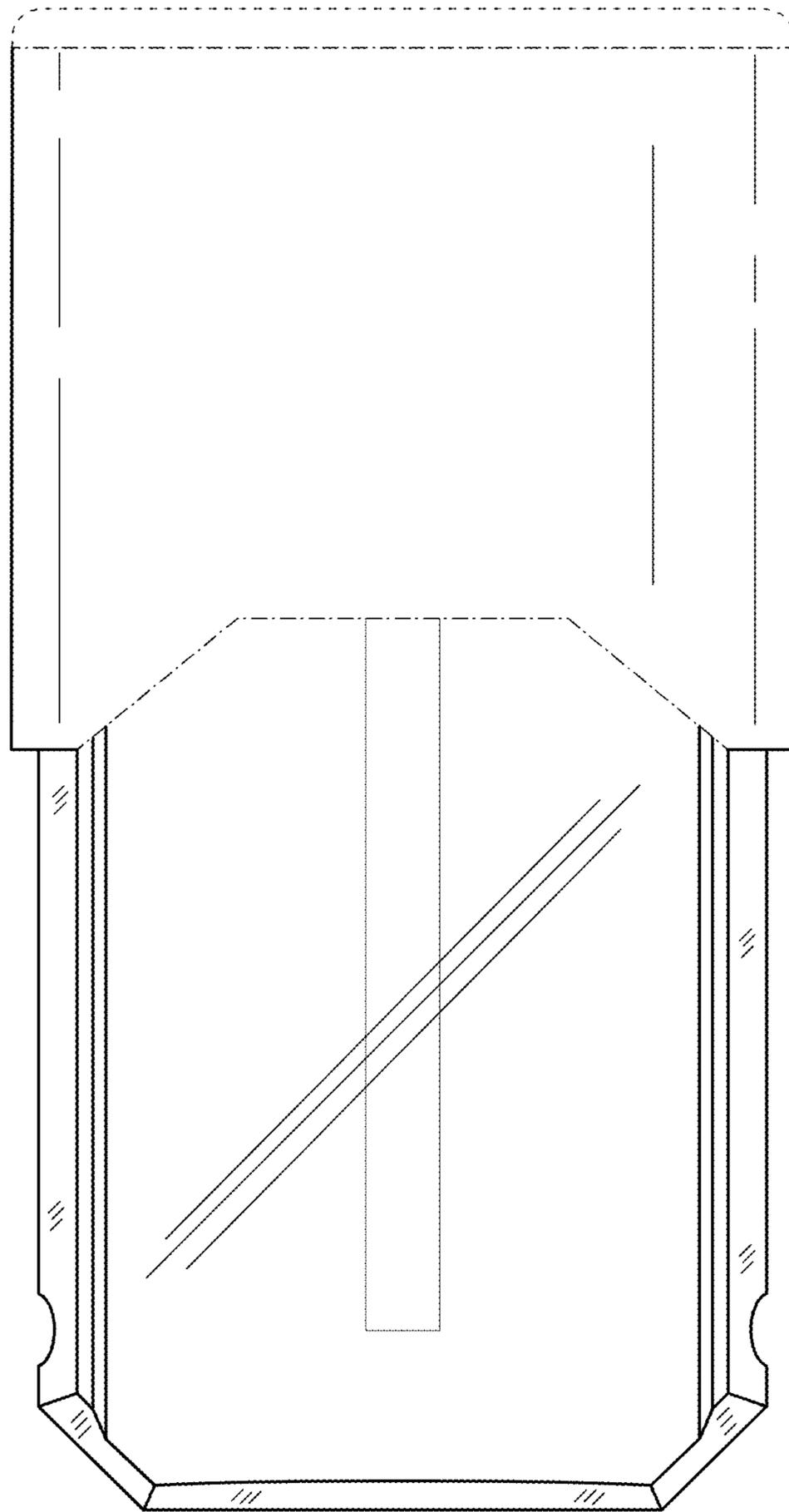


FIG. 3

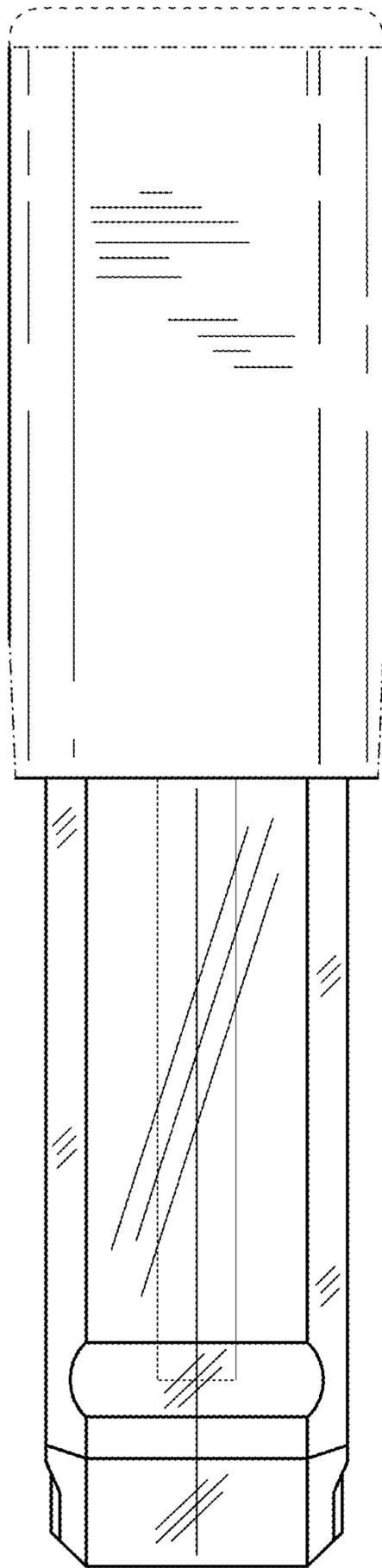


FIG.4

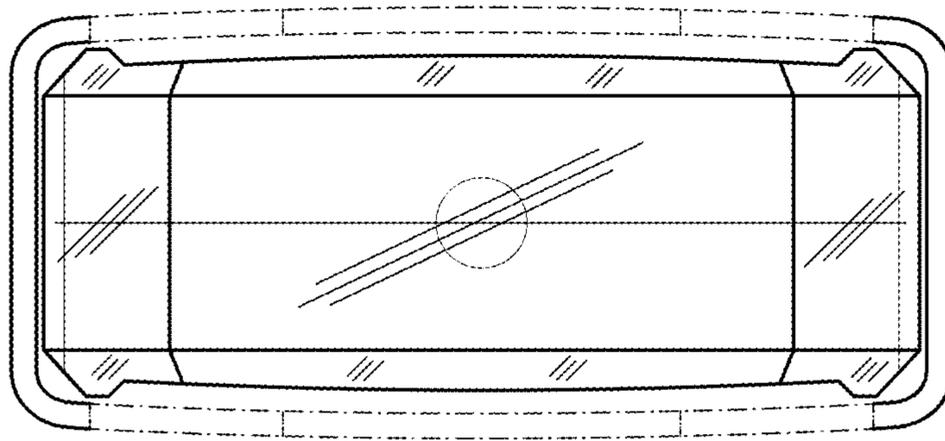


FIG.5

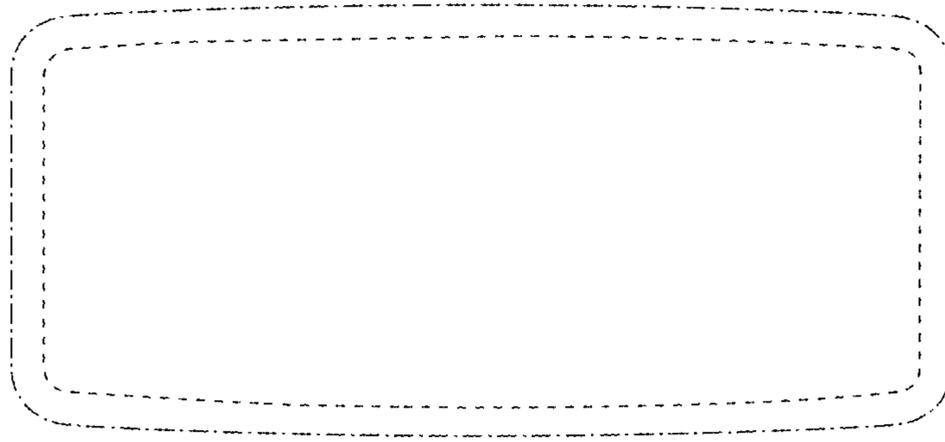


FIG.6

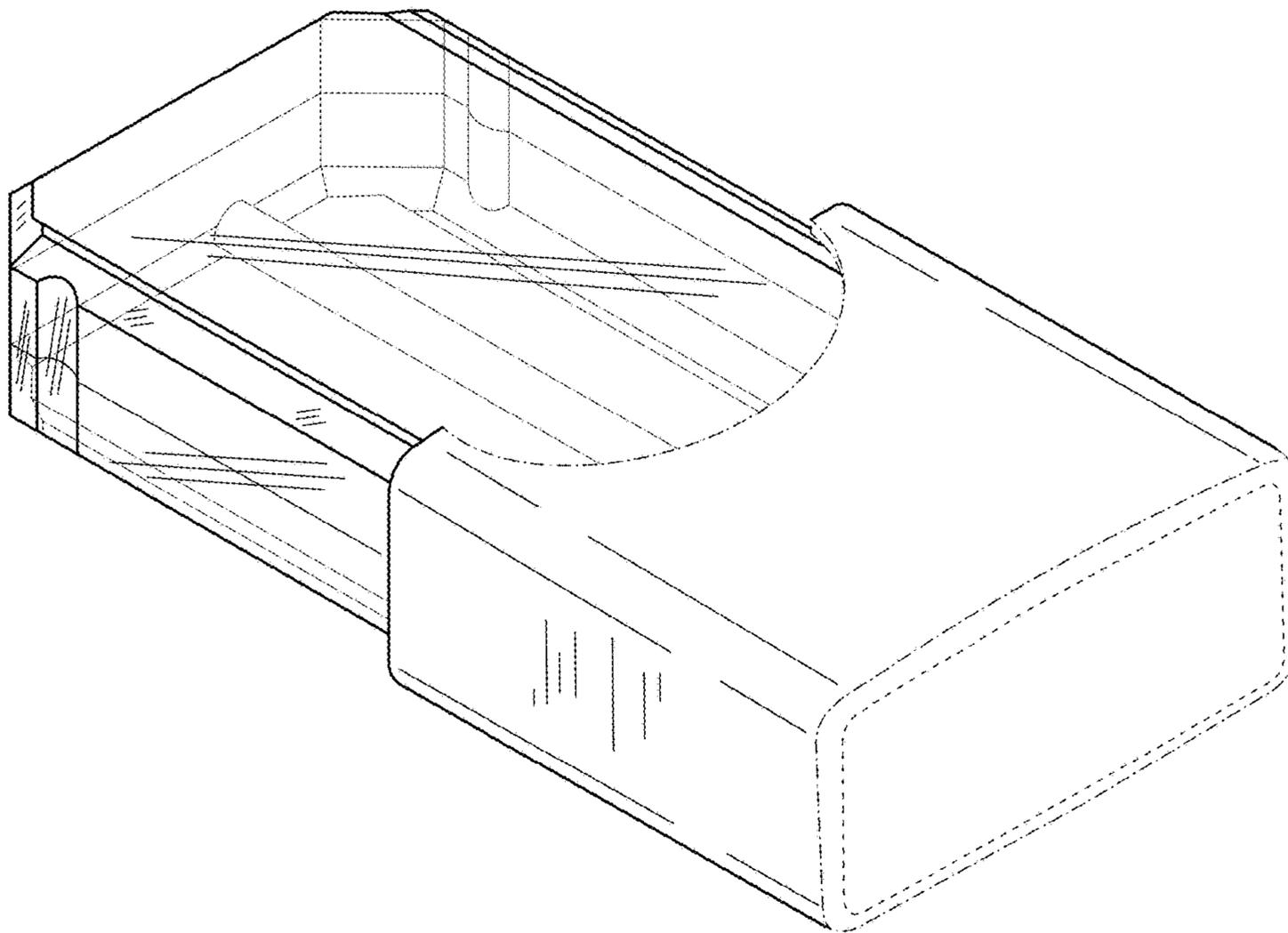


FIG.7

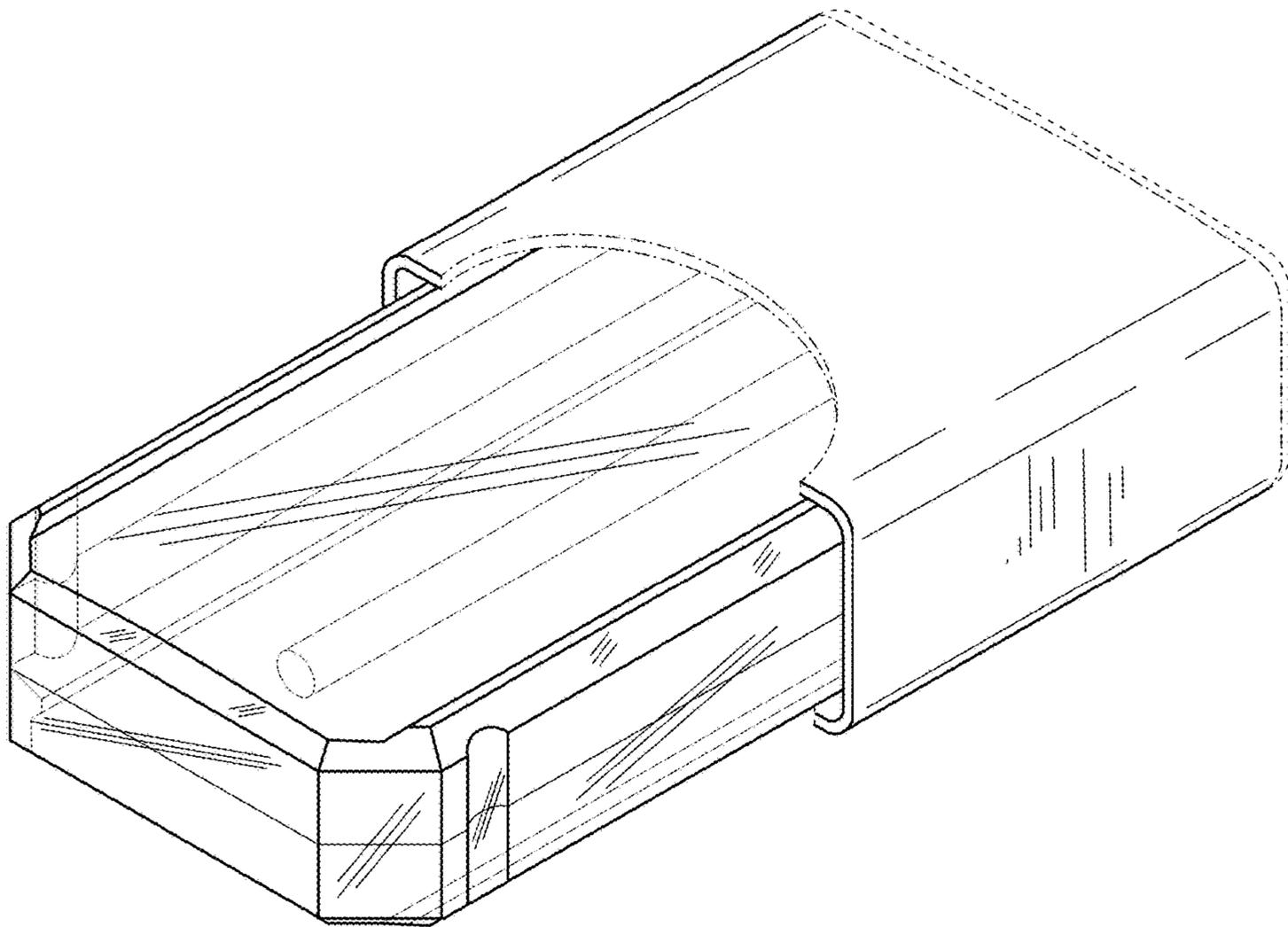


FIG.8

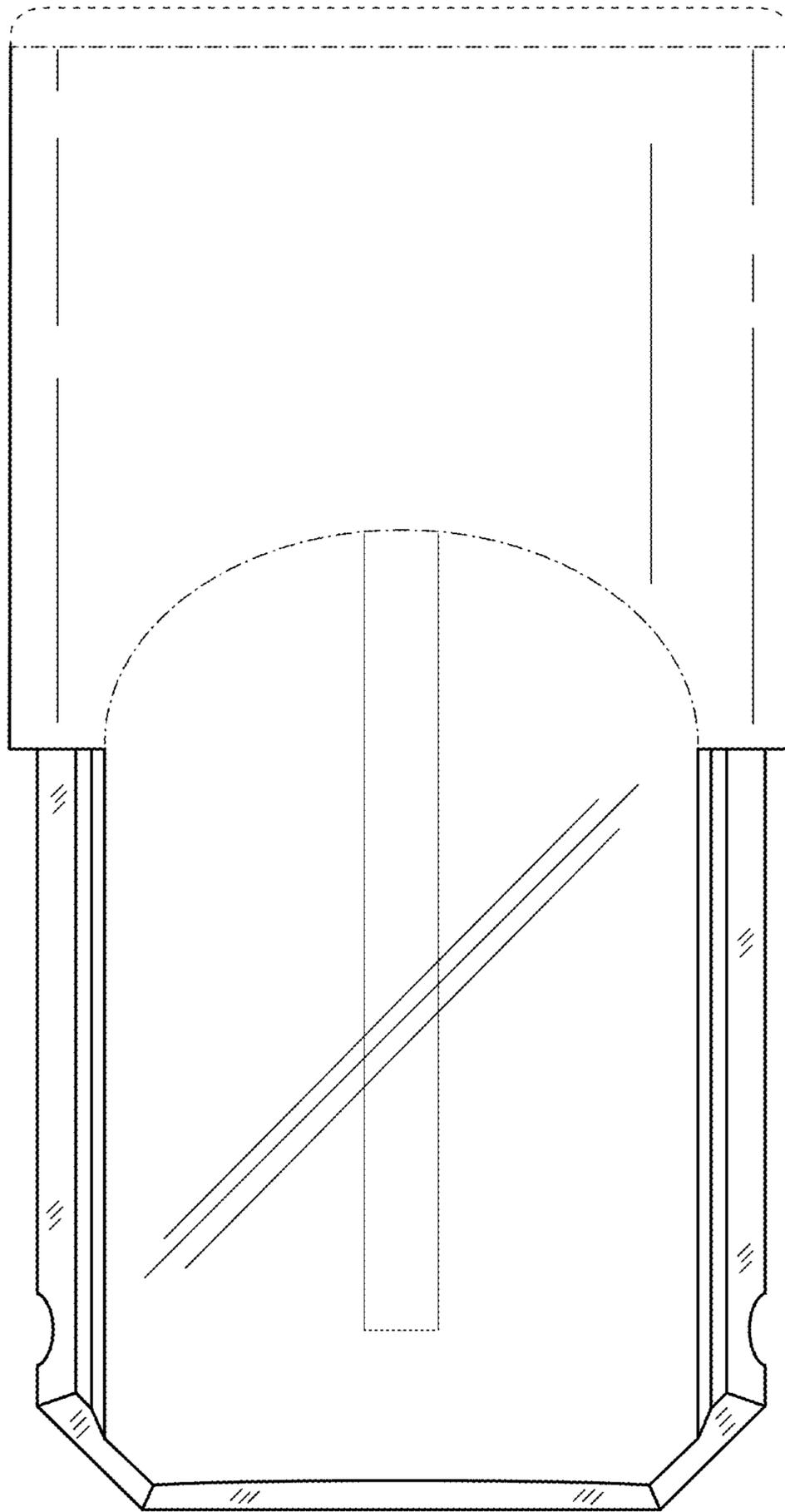


FIG.9

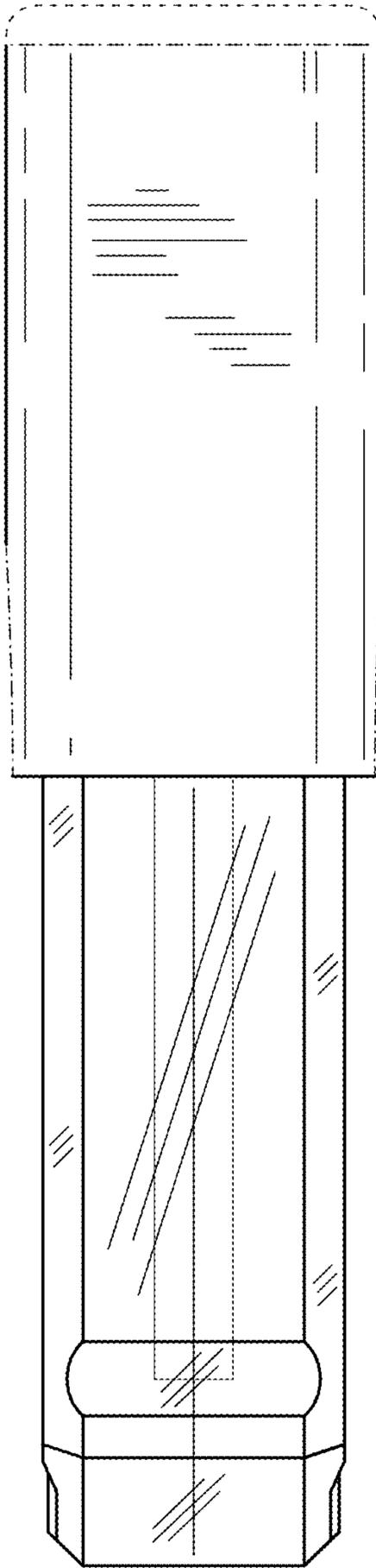


FIG.10

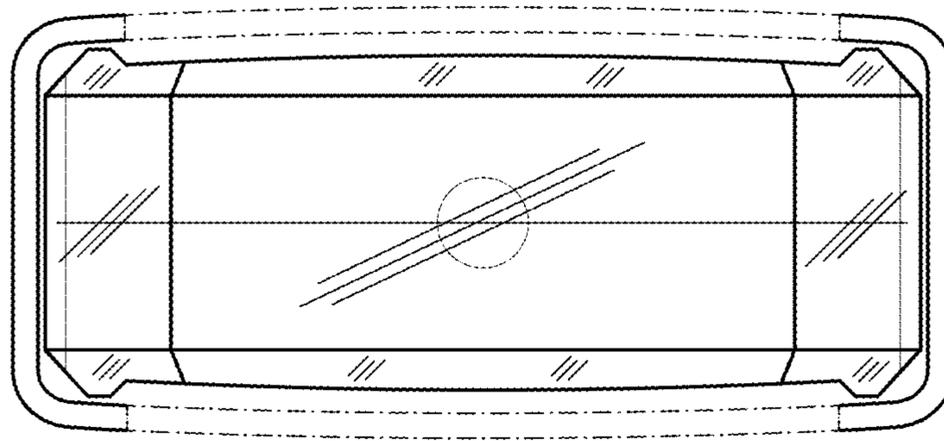


FIG.11

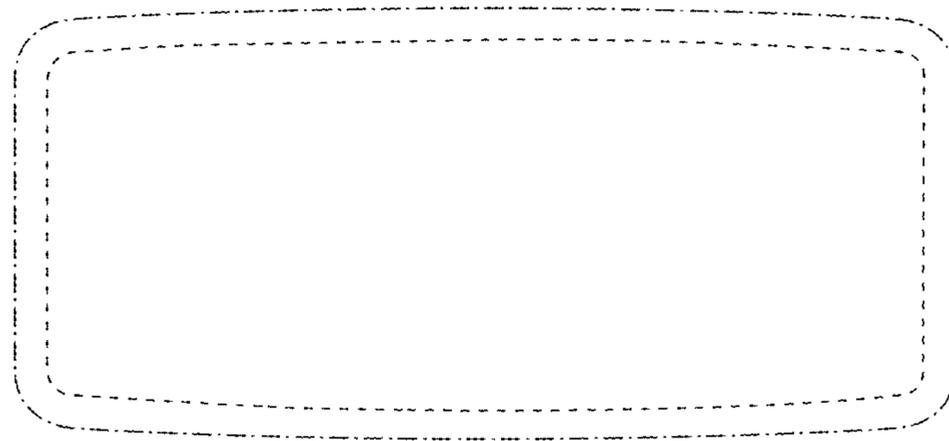


FIG.12

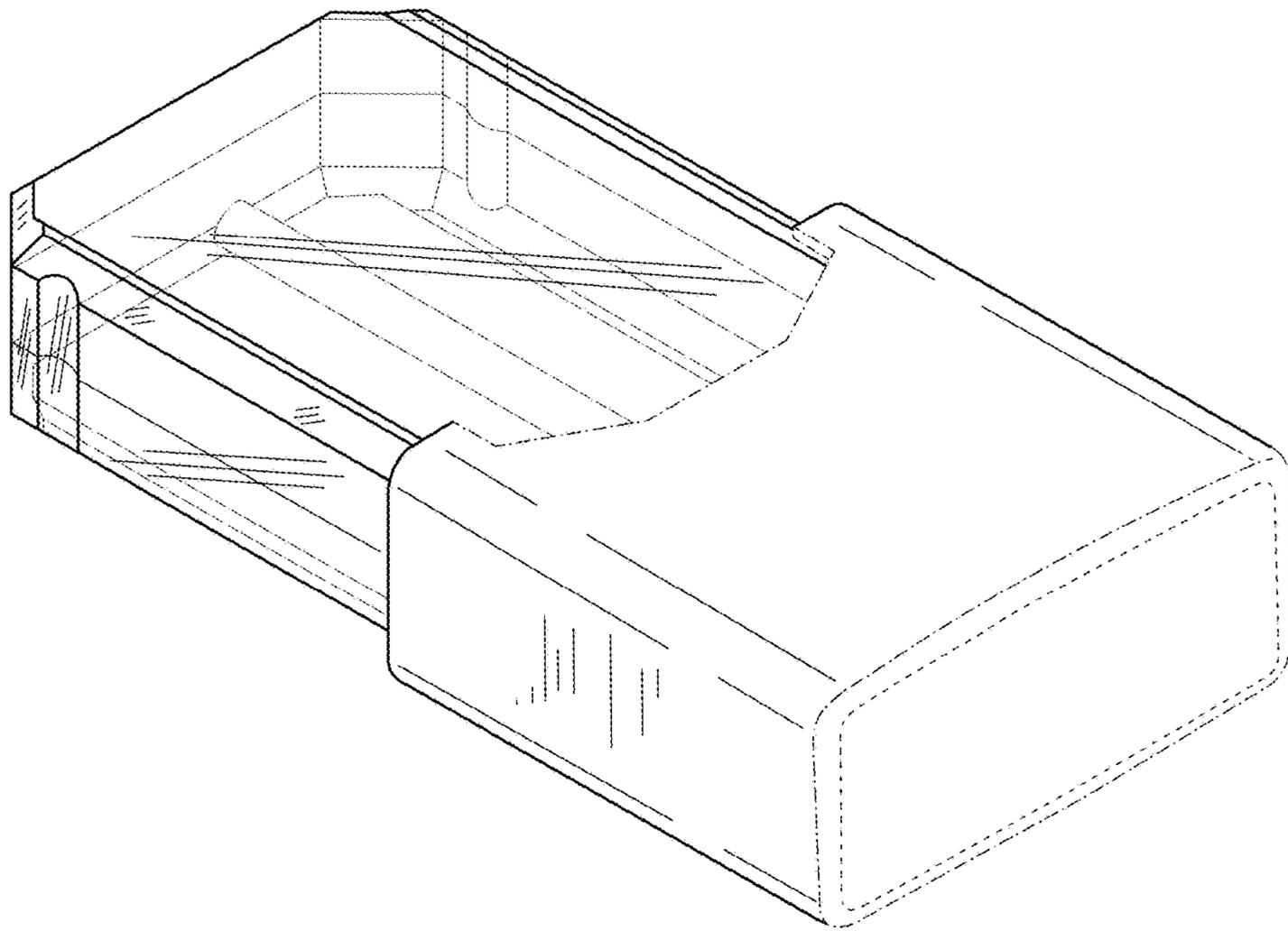


FIG.13

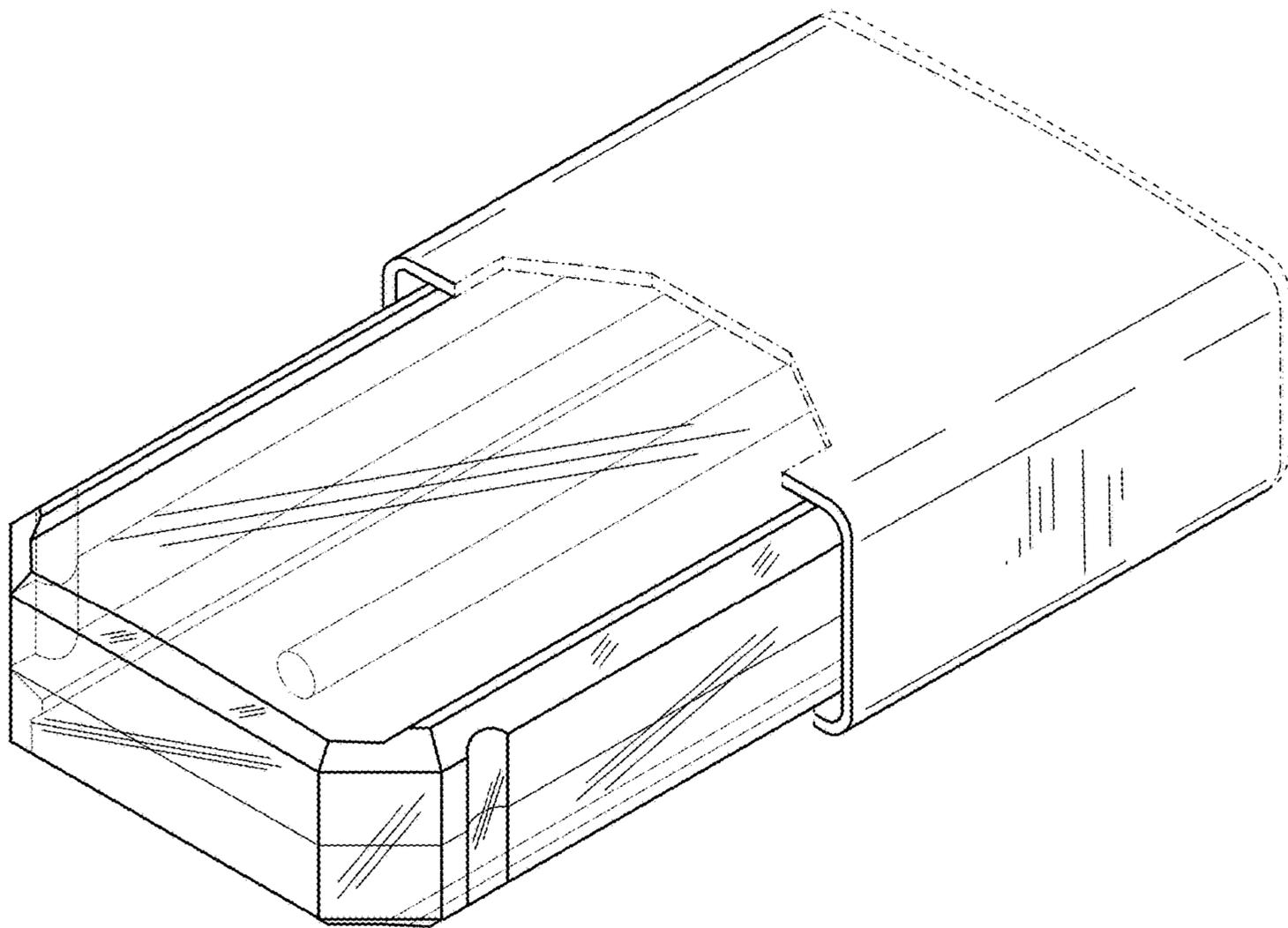


FIG.14

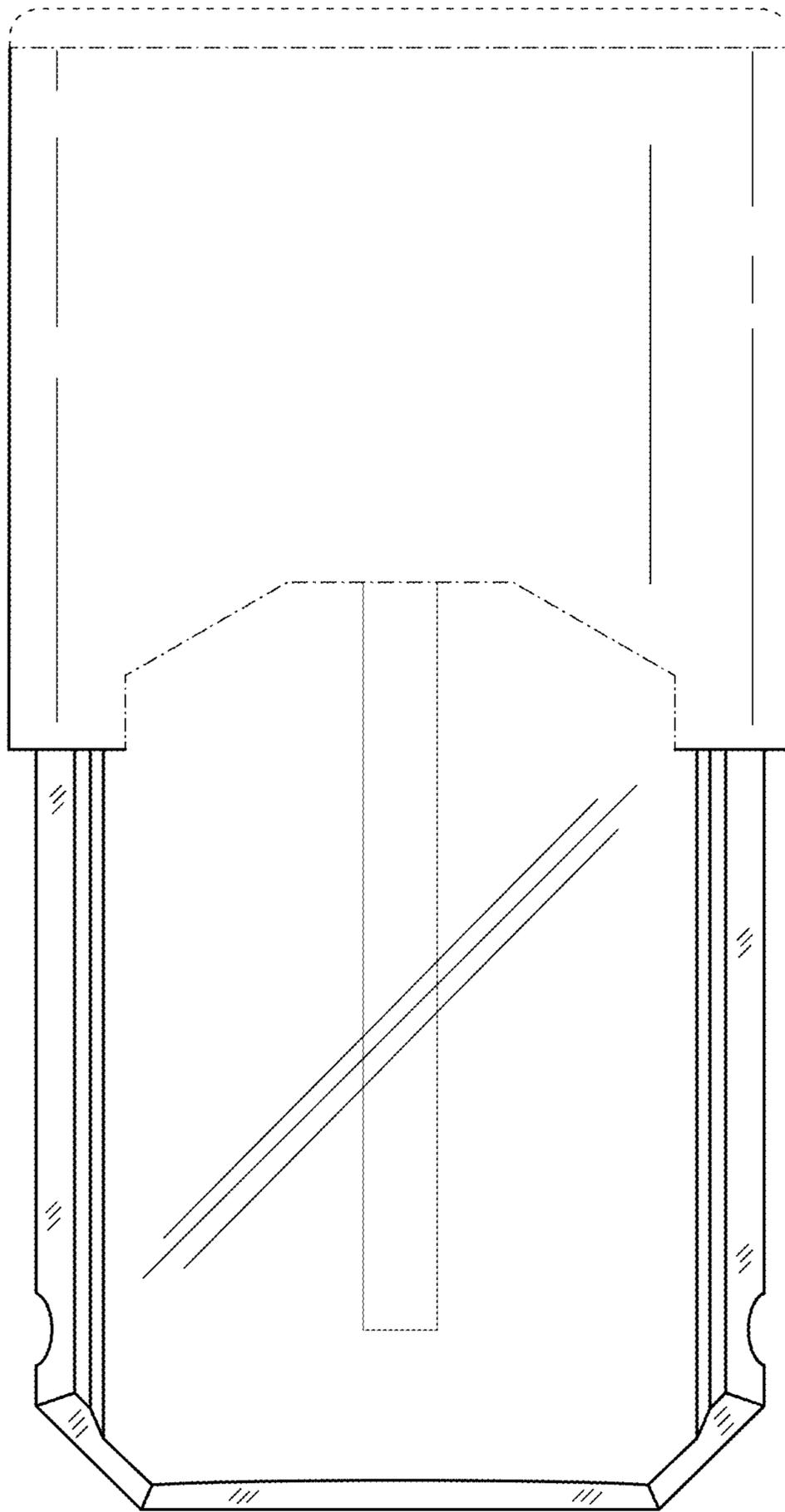


FIG.15

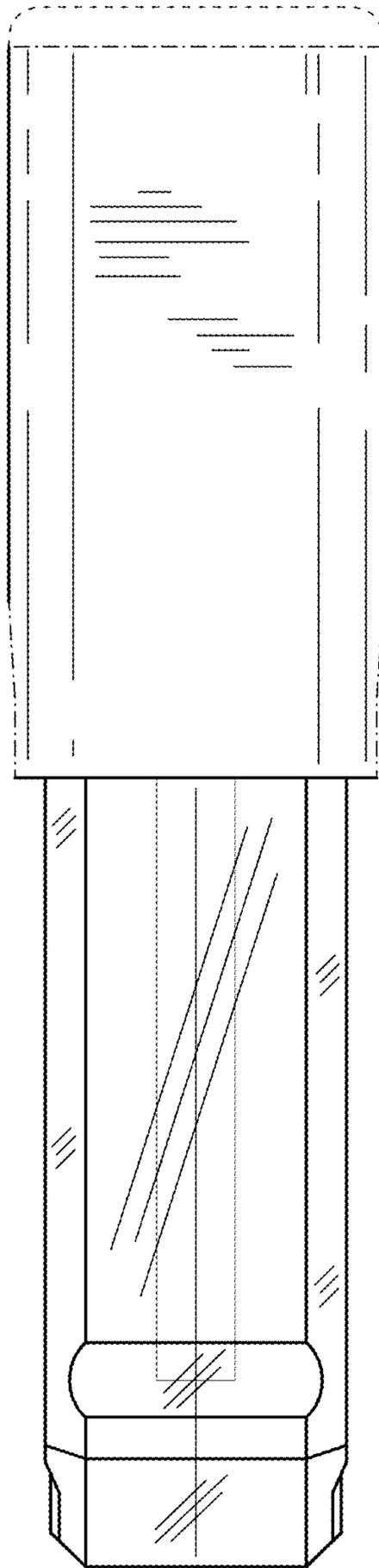


FIG.16

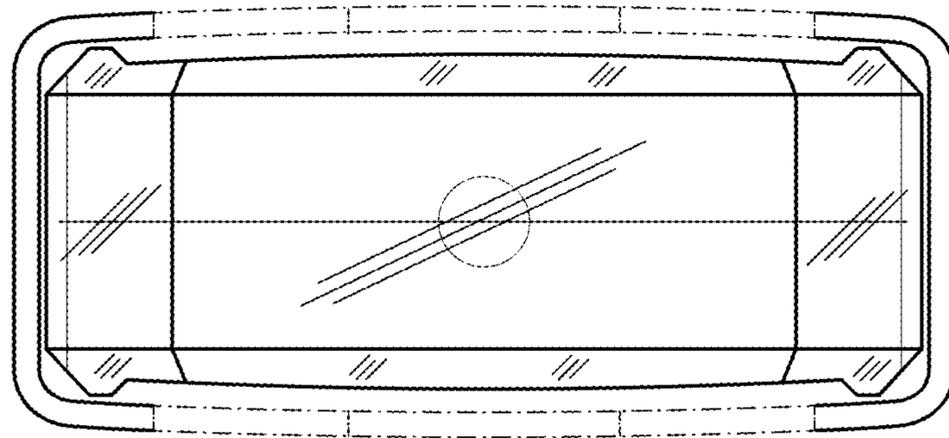


FIG.17

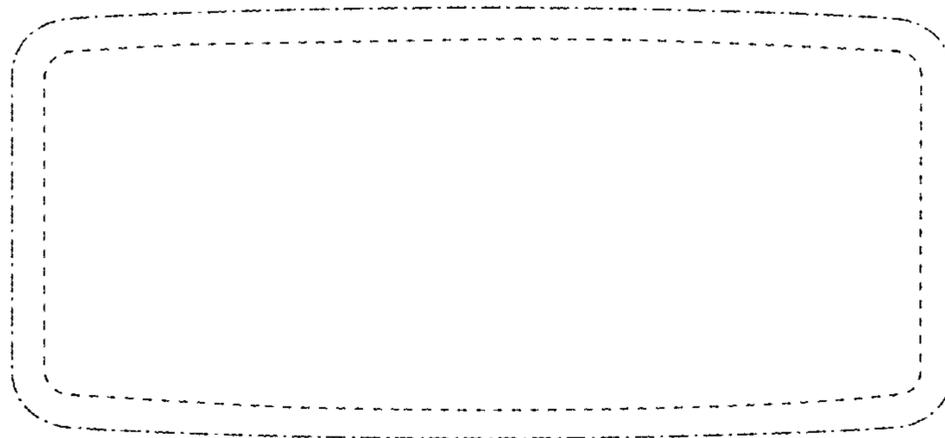


FIG.18

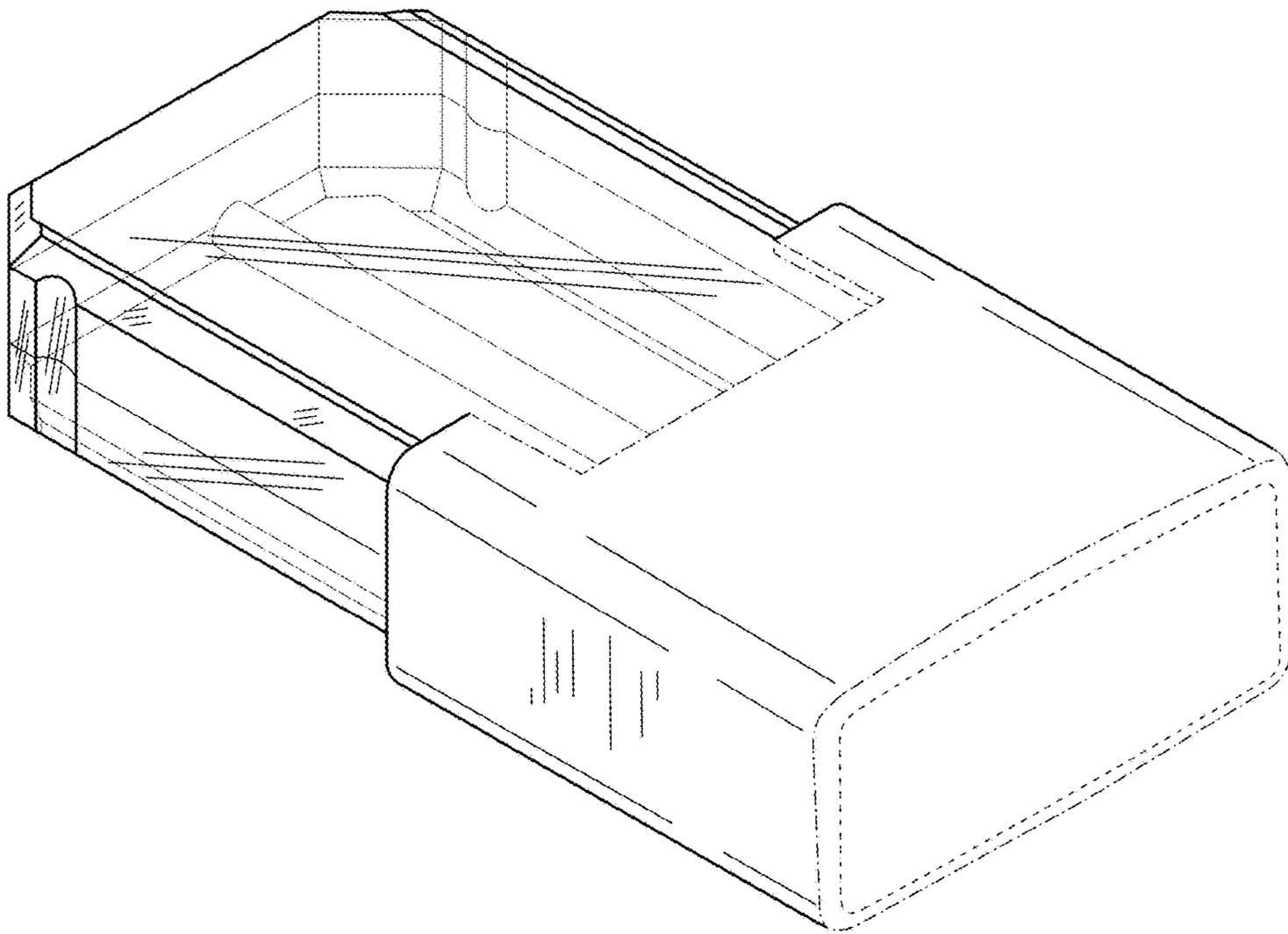


FIG.19

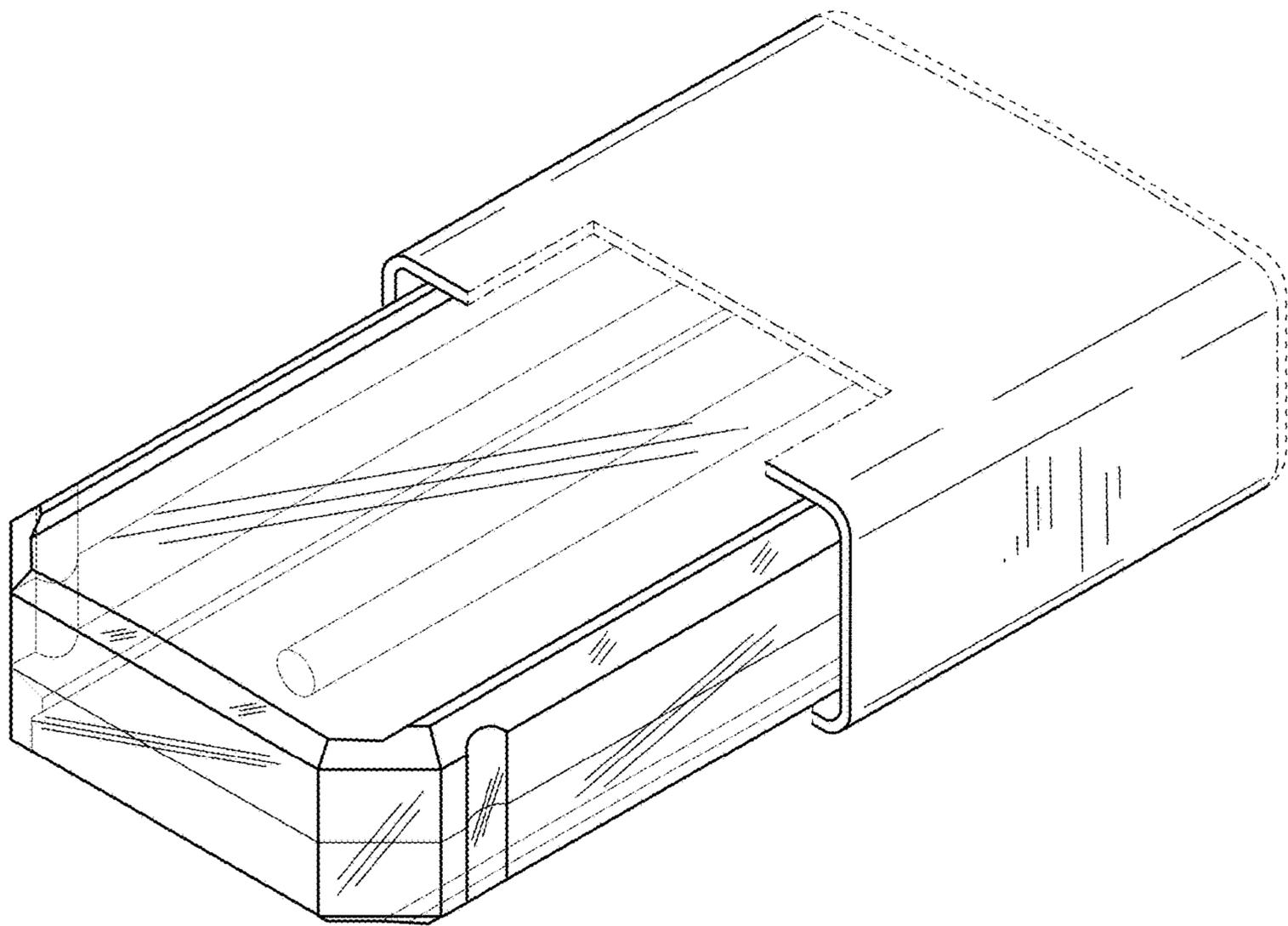


FIG.20

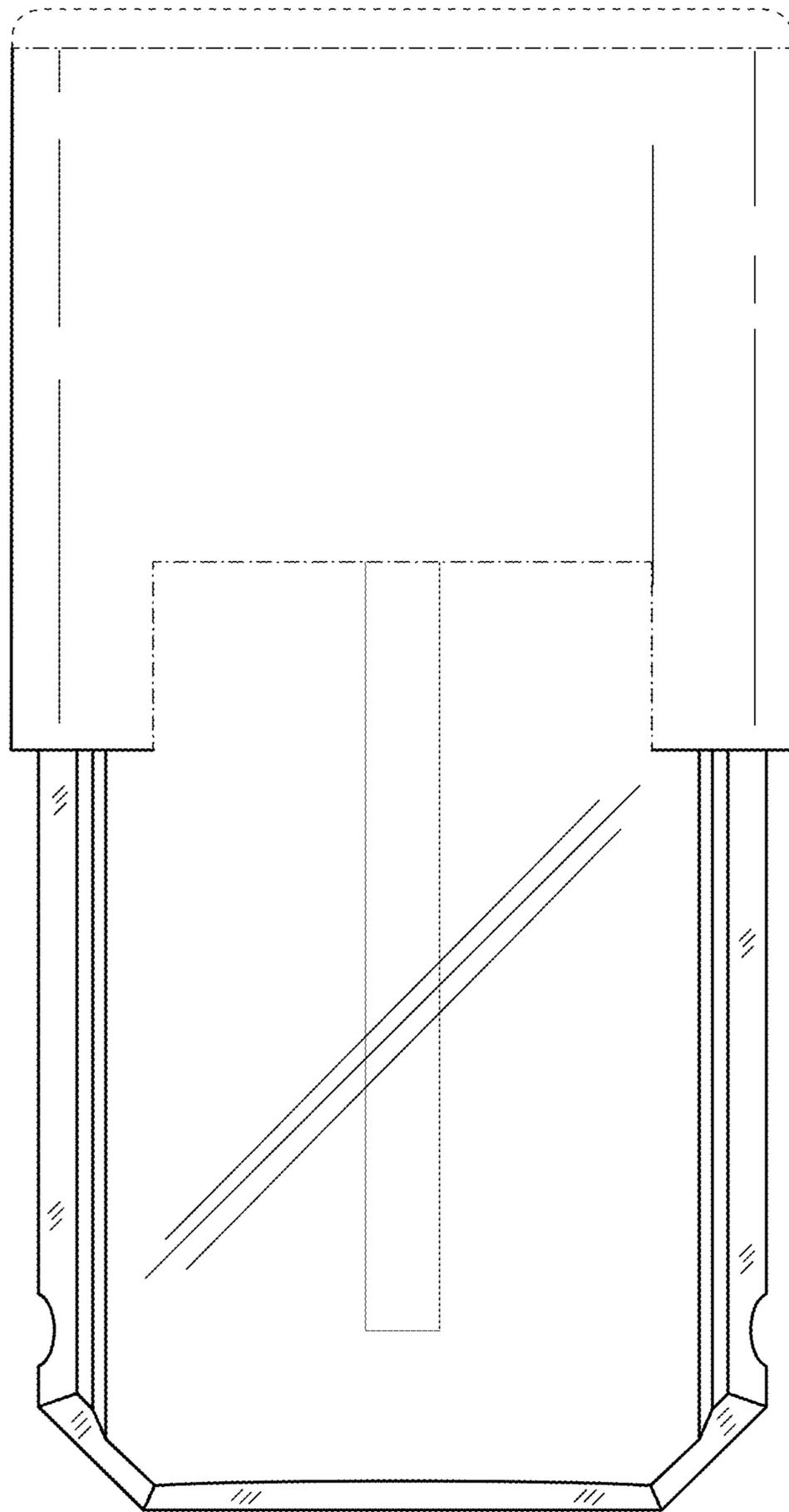


FIG.21

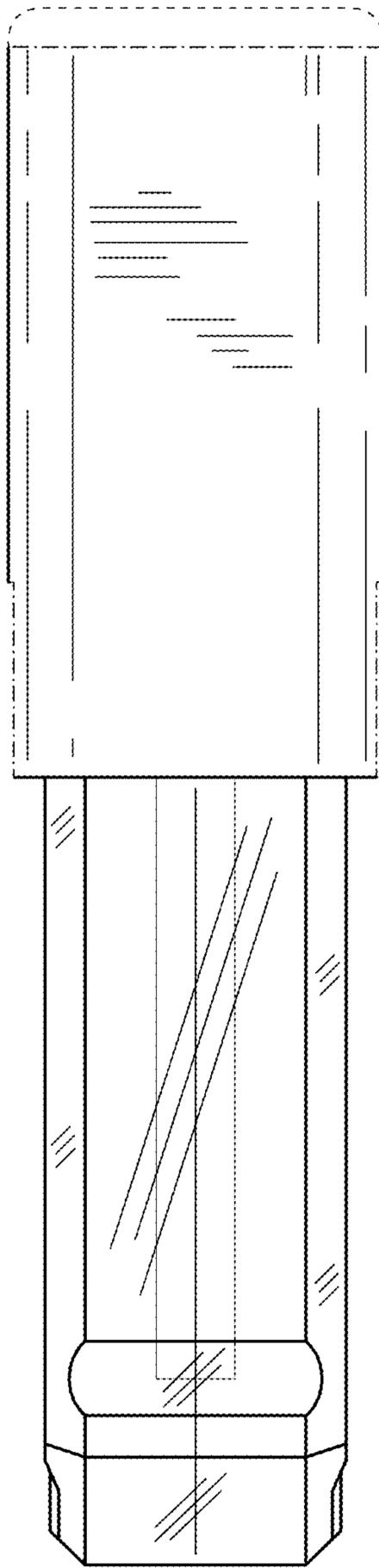


FIG.22

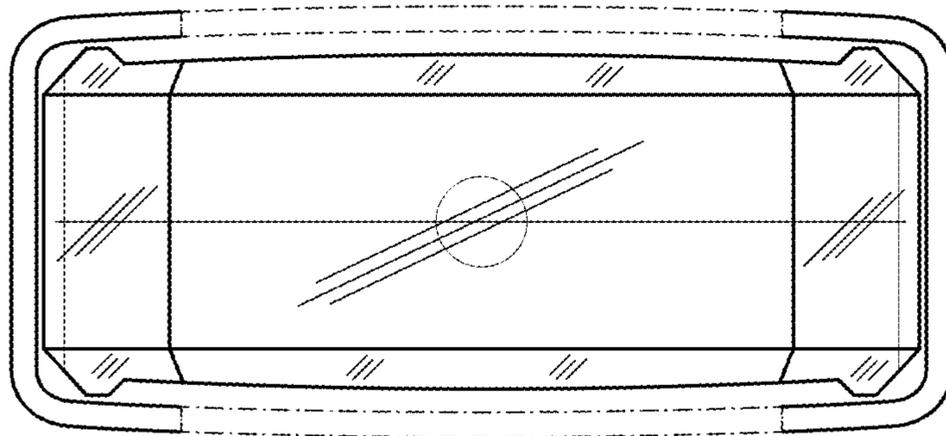


FIG.23

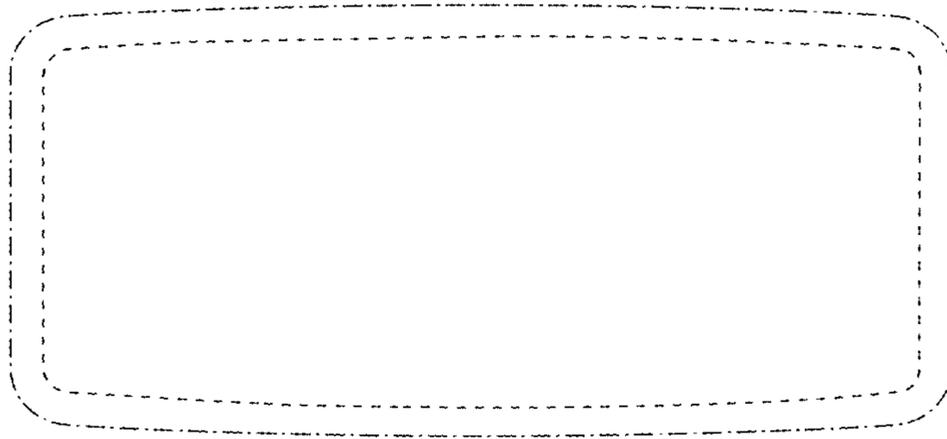


FIG.24