

US00D858866S

(12) **United States Design Patent** (10) **Patent No.:** **US D858,866 S**  
**Vargo** (45) **Date of Patent:** **\*\* Sep. 3, 2019**

(54) **PORTABLE INTEGRATED FIRE STRIKER WITH A TELESCOPING BELLOWS**

D492,063 S \* 6/2004 Reynolds ..... D27/152  
D495,204 S \* 8/2004 Fontaine ..... D7/416  
D497,285 S \* 10/2004 Qi ..... D7/416  
D500,167 S \* 12/2004 Wong ..... D27/157

(71) Applicant: **Brian J. Vargo**, Lewisburg, PA (US)

(Continued)

(72) Inventor: **Brian J. Vargo**, Lewisburg, PA (US)

*Primary Examiner* — Marissa J Cash

(\*\*) Term: **15 Years**

(74) *Attorney, Agent, or Firm* — Sonya C. Harris;  
Invention Services

(21) Appl. No.: **29/567,283**

(57) **CLAIM**

(22) Filed: **Jun. 7, 2016**

The ornamental design for a portable integrated fire striker with a telescoping bellows, as shown and described.

(51) **LOC (12) Cl.** ..... **27-05**

**DESCRIPTION**

(52) **U.S. Cl.**

USPC ..... **D27/142**; D7/416

(58) **Field of Classification Search**

USPC ..... D27/139, 140, 141, 142, 143, 147, 150,  
D27/154, 157, 161; D7/416

CPC ..... F02P 9/00; F23Q 2/16; F23Q 2/32

See application file for complete search history.

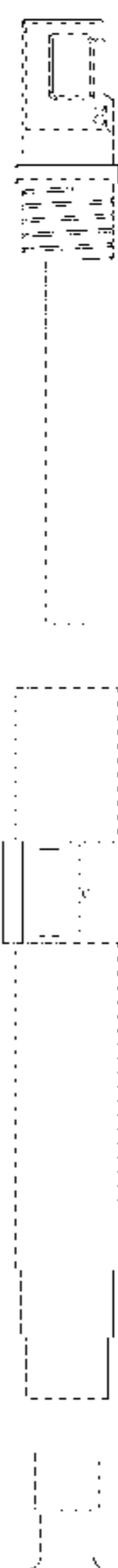
(56) **References Cited**

**U.S. PATENT DOCUMENTS**

D254,151 S *	2/1980	Wolff	.....	D27/142
D352,638 S *	11/1994	Hsu	.....	D27/154
D354,196 S *	1/1995	Inoue	.....	D27/154
D363,807 S *	10/1995	Fontaine, Jr.	.....	D27/141
D364,245 S *	11/1995	Anderson	.....	D27/141
D386,045 S *	11/1997	Ferrara, Jr.	.....	D7/416
D403,206 S *	12/1998	Hsu	.....	D7/416
D412,763 S *	8/1999	Zhuo	.....	D27/141
D414,890 S *	10/1999	Kohlhase	.....	D27/141
D421,150 S *	2/2000	Wong	.....	D27/141
D459,540 S *	6/2002	Chen	.....	D27/142
D459,541 S *	6/2002	Richmond	.....	D27/148
D467,120 S *	12/2002	Yu	.....	D7/416
D467,382 S *	12/2002	Lin	.....	D27/142
D470,625 S *	2/2003	Kwok	.....	D27/154
D471,315 S *	3/2003	Kwok	.....	D27/154
RE38,260 E *	10/2003	Wong	.....	F23Q 2/34
				D27/141
D485,937 S *	1/2004	Chen	.....	D27/154

FIG. 1 is a front elevational view of my design;  
 FIG. 2 is a top left perspective view of my design;  
 FIG. 3 is a rear elevational view of my design;  
 FIG. 4 is a bottom view of my design;  
 FIG. 5 is a top view of my design;  
 FIG. 6 is a bottom rear perspective view of my design;  
 FIG. 7 is a top left perspective view of my design, illustrating the fire striker portion removed with the telescoping bellows in a partially extended position;  
 FIG. 8 is a bottom rear perspective view of my design of FIG. 7, illustrating the fire striker portion removed with the telescoping bellows in a partially extended position;  
 FIG. 9 is a front elevational view of my design, illustrating the fire striker portion removed with the telescoping bellows in a fully extended position;  
 FIG. 10 is a front perspective view of my design, illustrating the fire striker portion removed with the telescoping bellows in a fully extended position;  
 FIG. 11 is a right side bottom perspective view of my design, illustrating the telescoping bellows in a fully extended position; and,  
 FIG. 12 is a right side bottom perspective view of my design, illustrating the telescoping bellows in a fully extended position.

**1 Claim, 6 Drawing Sheets**



(56)

**References Cited**

U.S. PATENT DOCUMENTS

D507,150 S \* 7/2005 Kwok ..... D7/416  
D509,020 S \* 8/2005 Lindsey ..... D27/142  
6,926,519 B1 \* 8/2005 Lusson ..... F23Q 2/16  
431/254  
D514,740 S \* 2/2006 Smith ..... D27/152  
D569,687 S \* 5/2008 Darnell ..... D7/416  
D618,059 S \* 6/2010 Huang ..... D7/416  
D618,507 S \* 6/2010 Galimand ..... D7/416  
D665,626 S \* 8/2012 Luo ..... D7/416  
D679,051 S \* 3/2013 Martin ..... D27/141  
D729,575 S \* 5/2015 Hu ..... D7/416  
9,927,122 B2 \* 3/2018 Mundhra ..... F23Q 1/06  
D814,864 S \* 4/2018 Austin, III ..... D7/416  
2002/0150853 A1 \* 10/2002 Cowl ..... F23Q 2/164  
431/153  
2008/0085484 A1 \* 4/2008 Tornquist ..... F23Q 2/16  
431/131

\* cited by examiner

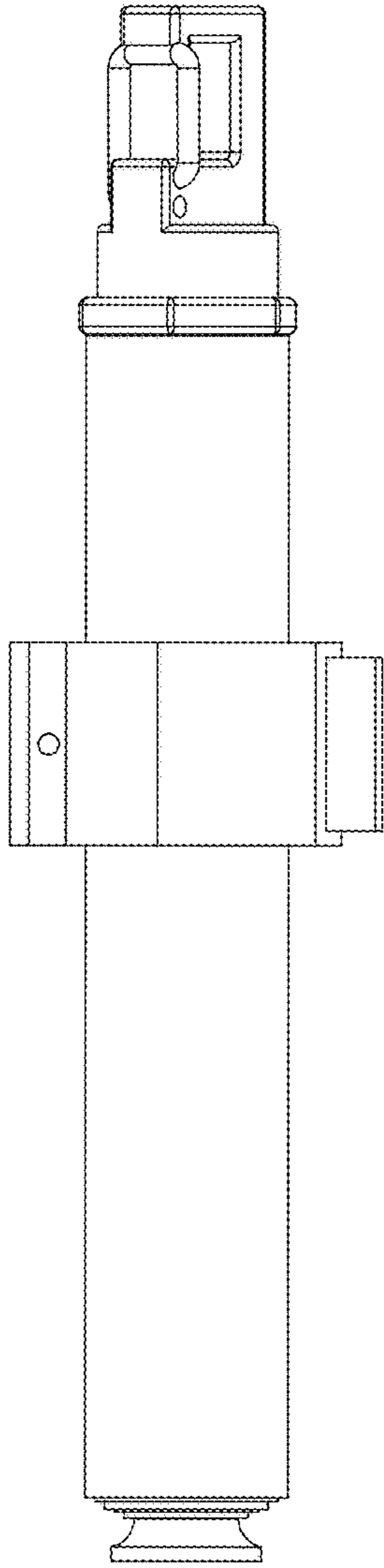


FIG. 1

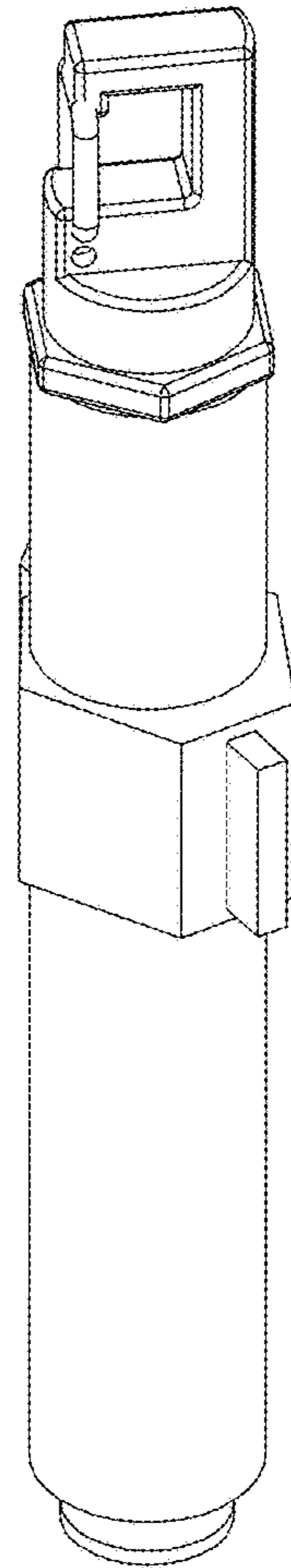


FIG. 2

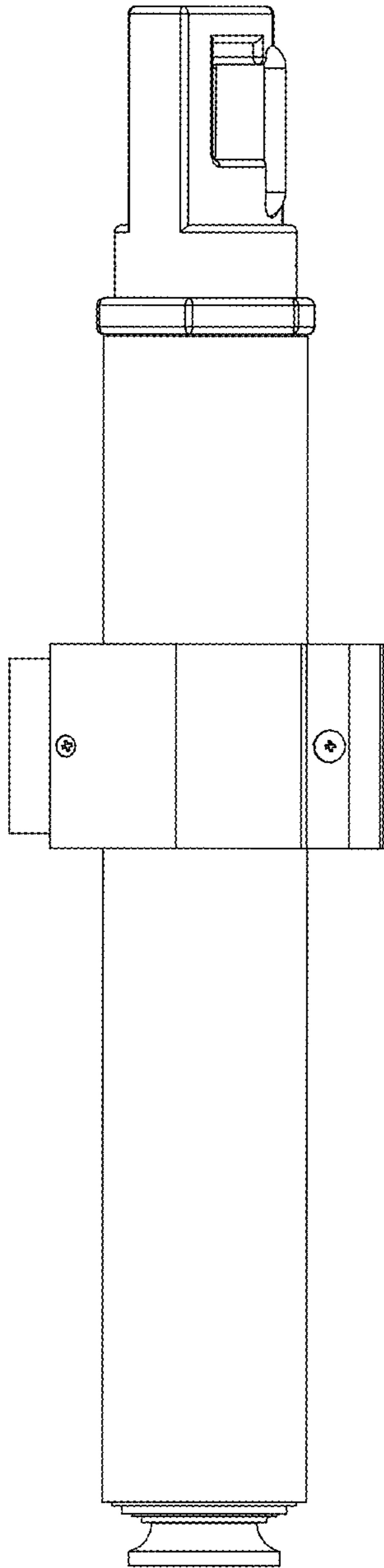


FIG. 3

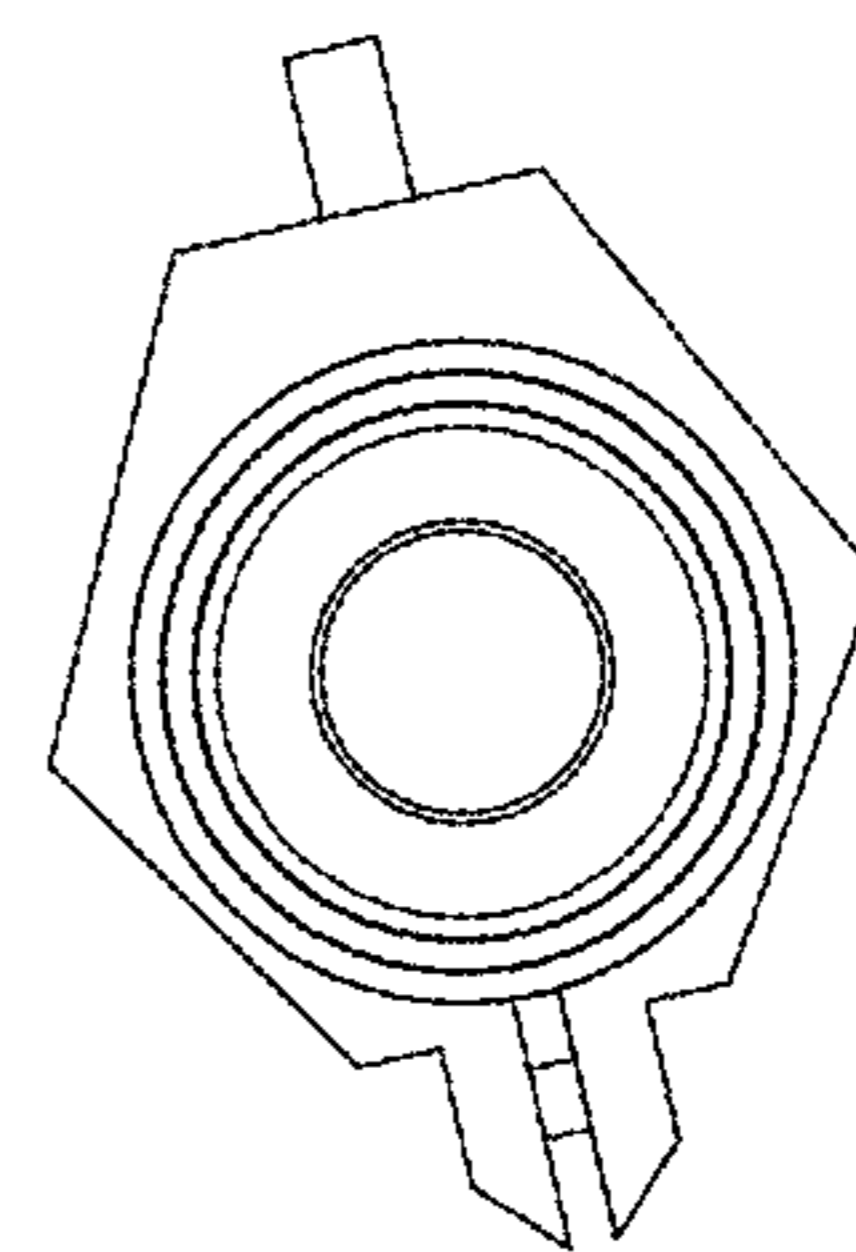


FIG. 4

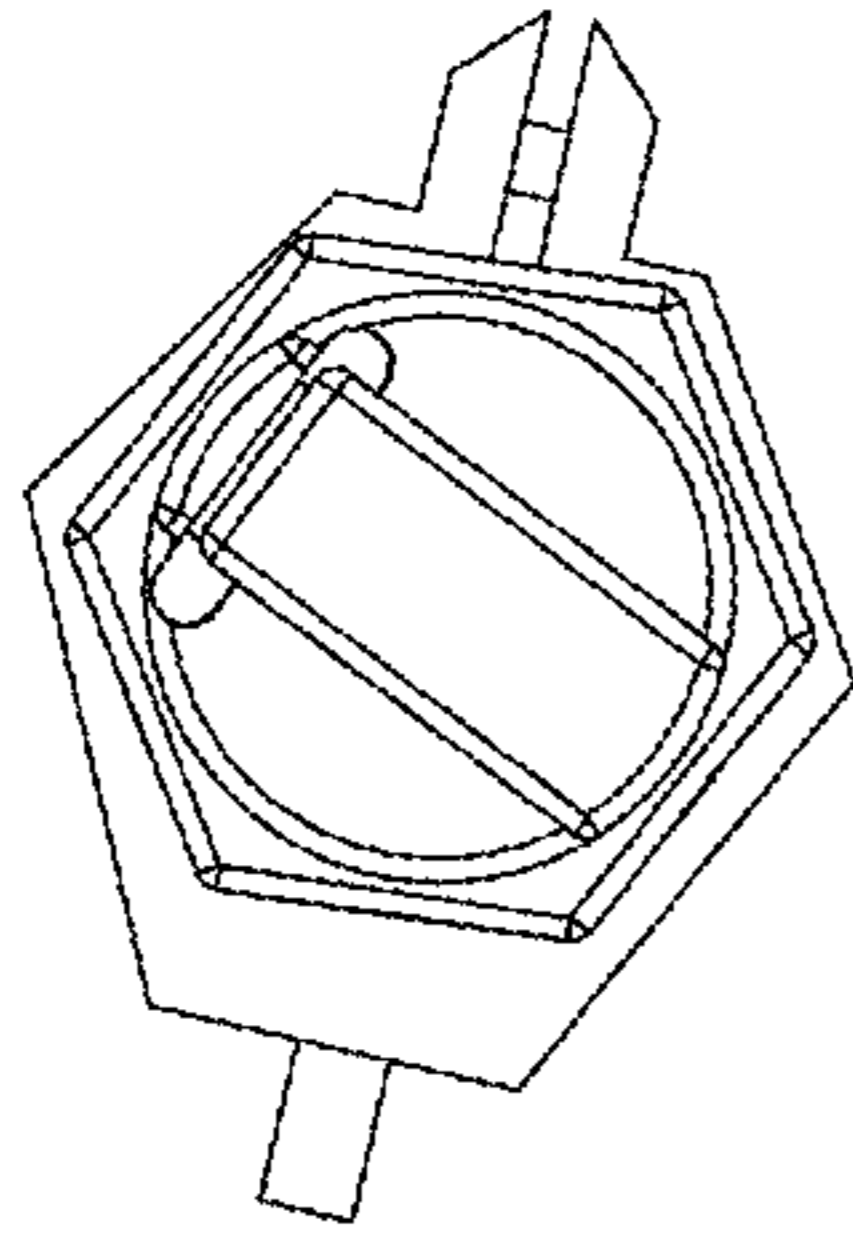


FIG. 5

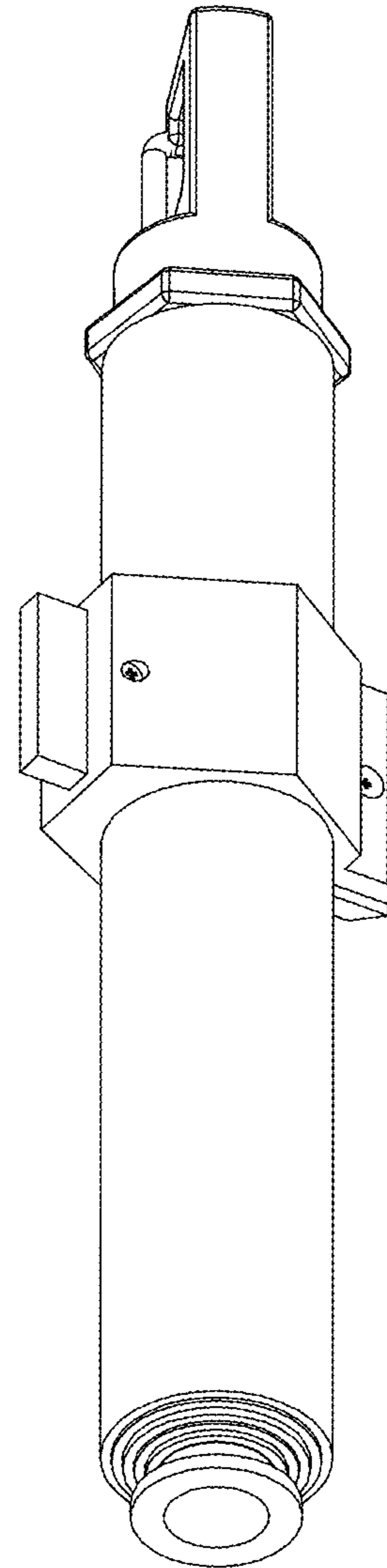


FIG. 6

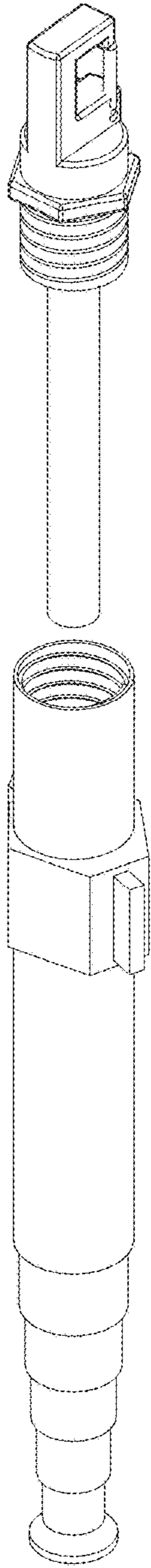


FIG. 7

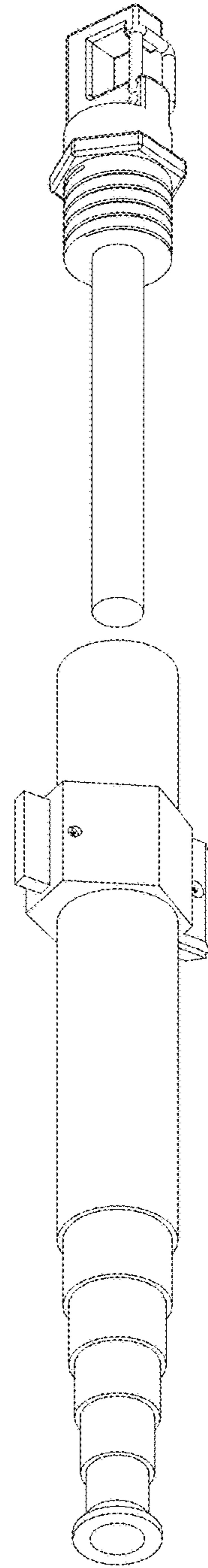


FIG. 8

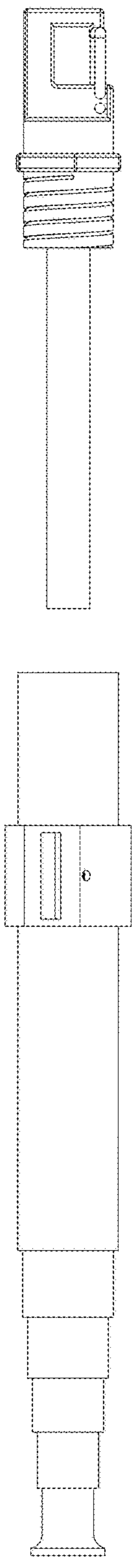


FIG. 9

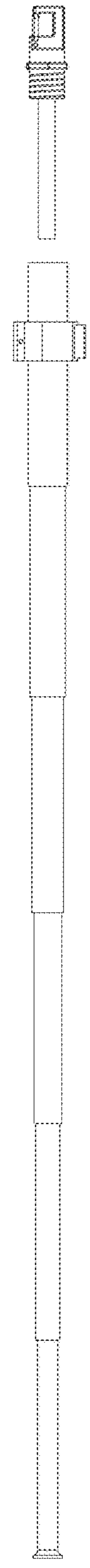


FIG. 10

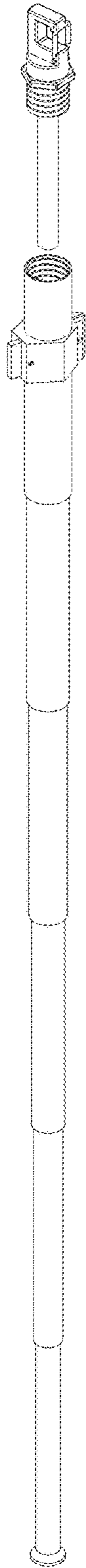


FIG. 11

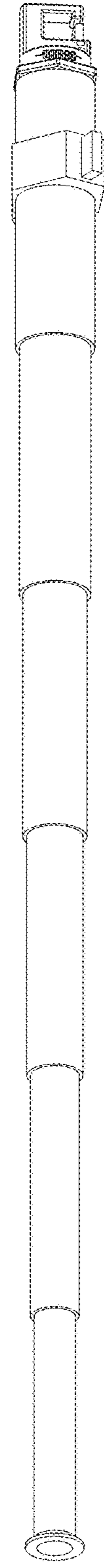


FIG. 12