



US00D858864S

(12) **United States Design Patent** (10) **Patent No.:** **US D858,864 S**  
**Yao** (45) **Date of Patent:** **\*\* Sep. 3, 2019**

- (54) **SUPPORT FRAME**
- (71) Applicant: **WENZHOU HENGXIONG ELECTRIC CO., LTD.**, Rui'an, Zhejiang (CN)
- (72) Inventor: **Xiong Yao**, Rui'an (CN)
- (73) Assignee: **WENZHOU HENGXIONG ELECTRIC CO., LTD.**, Ruian, Zhejiang (CN)
- (\*\*) Term: **15 Years**
- (21) Appl. No.: **29/629,384**
- (22) Filed: **Dec. 13, 2017**
- (51) **LOC (12) Cl.** ..... **26-05**
- (52) **U.S. Cl.**  
USPC ..... **D26/138**
- (58) **Field of Classification Search**  
USPC .... D26/138, 142, 155, 60, 152, 154, 74, 75, D26/76-86, 88, 90, 113, 118  
CPC ..... F21S 2/00; F21S 4/00; F21S 4/003; F21S 4/005; F21S 4/006; F21S 6/00; F21S 8/00; F21S 8/024  
See application file for complete search history.

- D619,291 S \* 7/2010 Thevenot ..... D26/75
- D634,887 S \* 3/2011 Kitts ..... D26/143
- D669,629 S \* 10/2012 Yu ..... F21S 8/06  
D26/155
- D760,420 S \* 6/2016 Tomlinson ..... D26/81
- D826,461 S \* 8/2018 Sonneman ..... D26/90
- D837,435 S \* 1/2019 Richardson ..... D26/82
- D844,888 S \* 4/2019 Green ..... H05B 37/029  
D26/110

\* cited by examiner

*Primary Examiner* — Mark A Goodwin  
*Assistant Examiner* — Benjamin M Weeks  
(74) *Attorney, Agent, or Firm* — Christensen, Fonder, Dardi & Herbert PLLC

(57) **CLAIM**

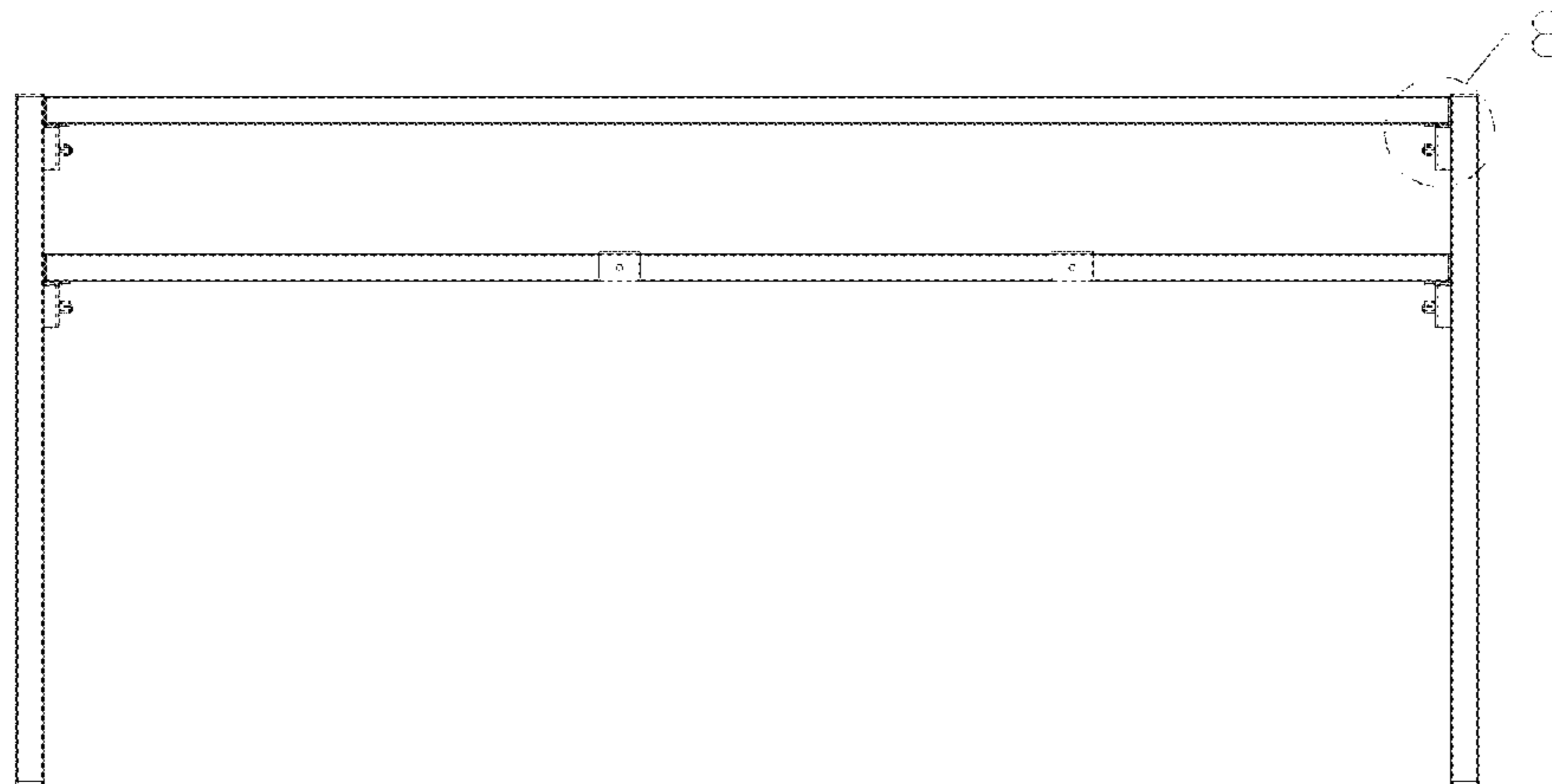
I claim the ornamental design for a support frame, as shown and described.

**DESCRIPTION**

FIG. 1 is a front view of a support frame.  
FIG. 2 is a rear view of a support frame.  
FIG. 3 is a left view of a support frame.  
FIG. 4 is a right view of a support frame.  
FIG. 5 is a top view of a support frame.  
FIG. 6 is a bottom view of a support frame.  
FIG. 7 is a perspective view of a support frame.  
FIG. 8 is an enlarged view of a support frame.  
FIG. 9 is an enlarged view of a support frame.  
FIG. 10 is an enlarged view of a support frame; and,  
FIG. 11 is an enlarged view of a support frame.  
The portions of the support frame shown in broken lines form no part of the claimed design.

**1 Claim, 11 Drawing Sheets**

- (56) **References Cited**  
U.S. PATENT DOCUMENTS  
D122,864 S \* 10/1940 Dreyfuss ..... 362/219  
D220,206 S \* 3/1971 Hamburger ..... D26/75  
D481,484 S \* 10/2003 Cuevas ..... D26/84  
D526,737 S \* 8/2006 Noh ..... D26/75  
D596,331 S \* 7/2009 Sabemig ..... D26/84



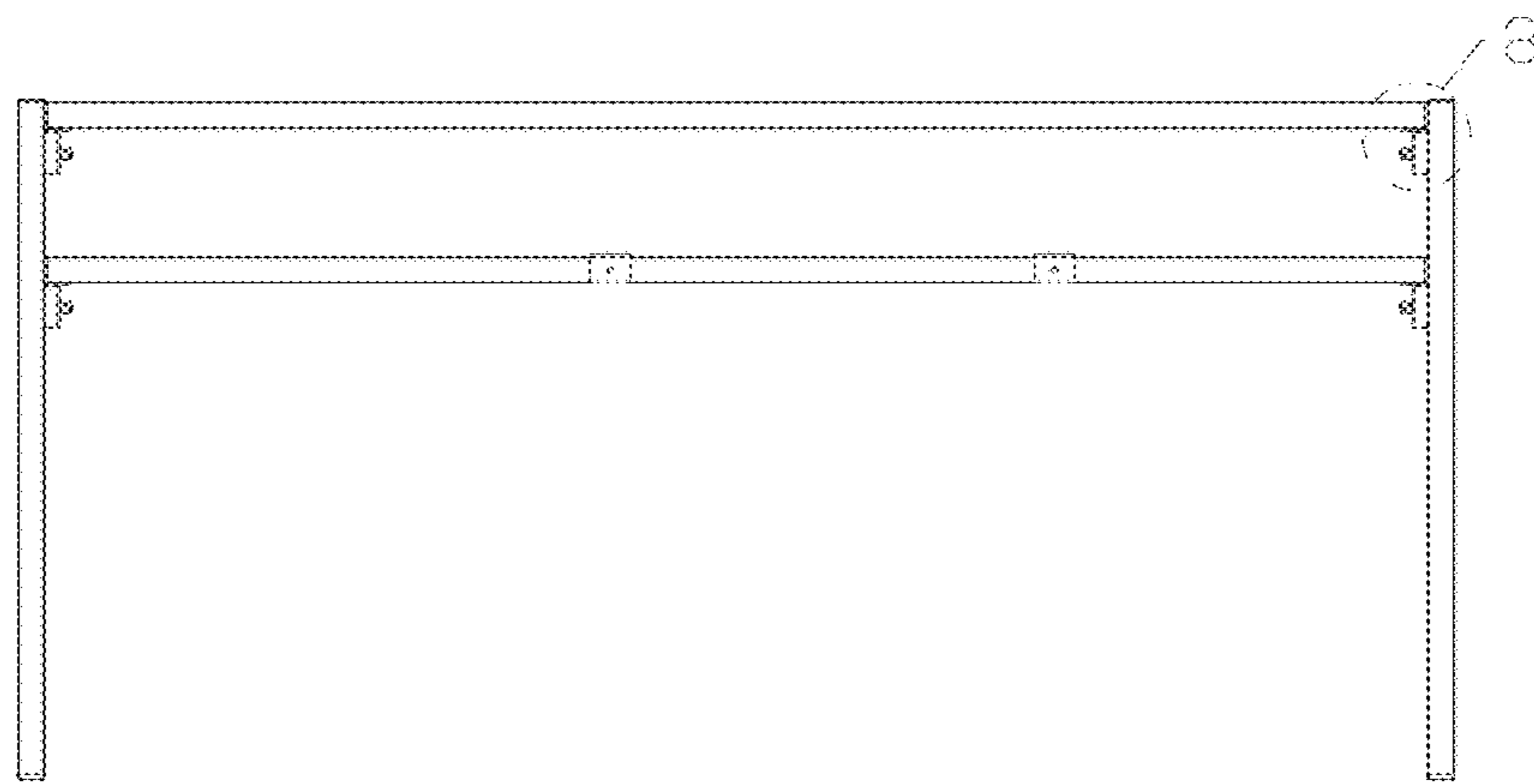


FIG. 1

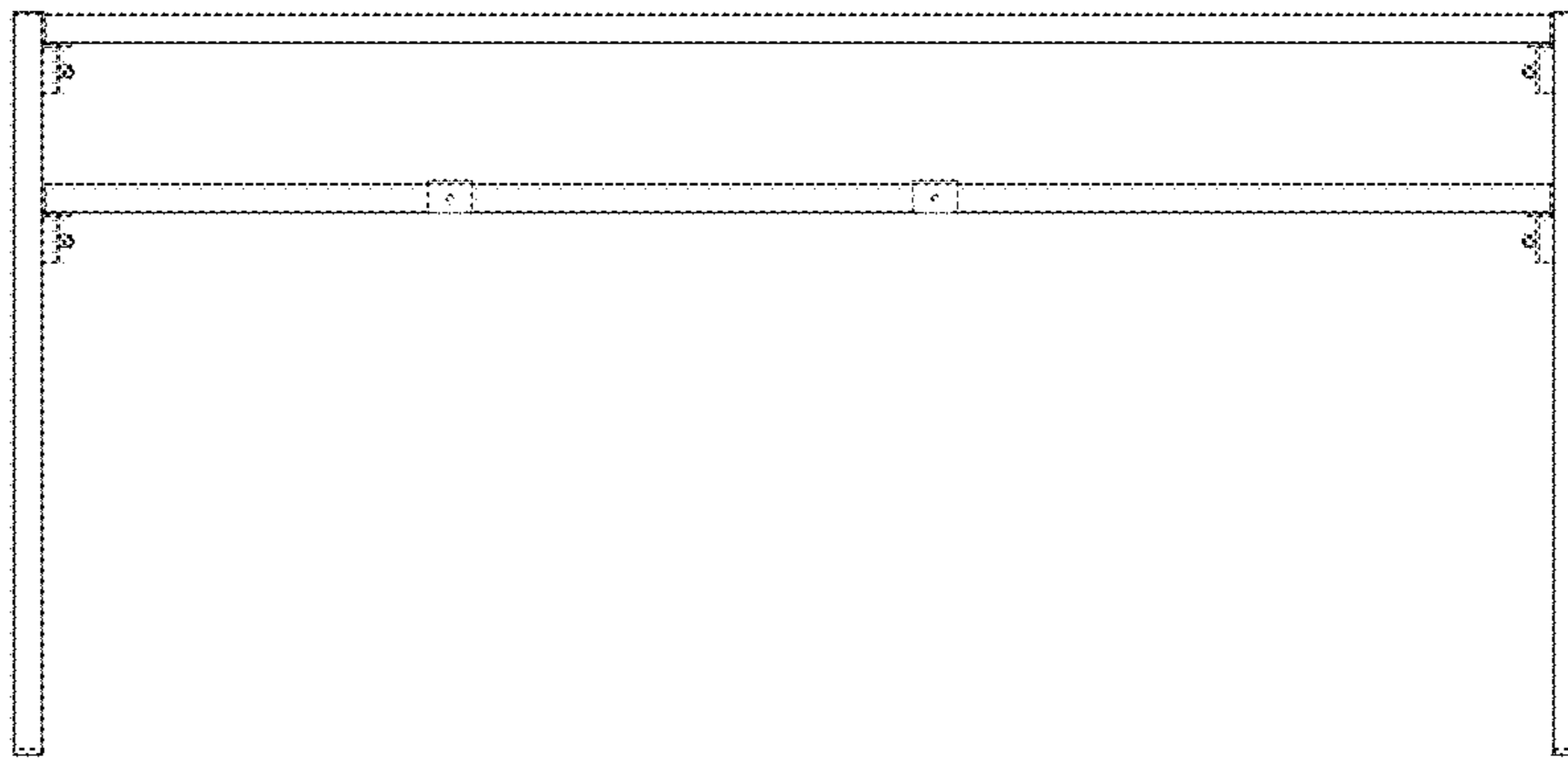


FIG. 2

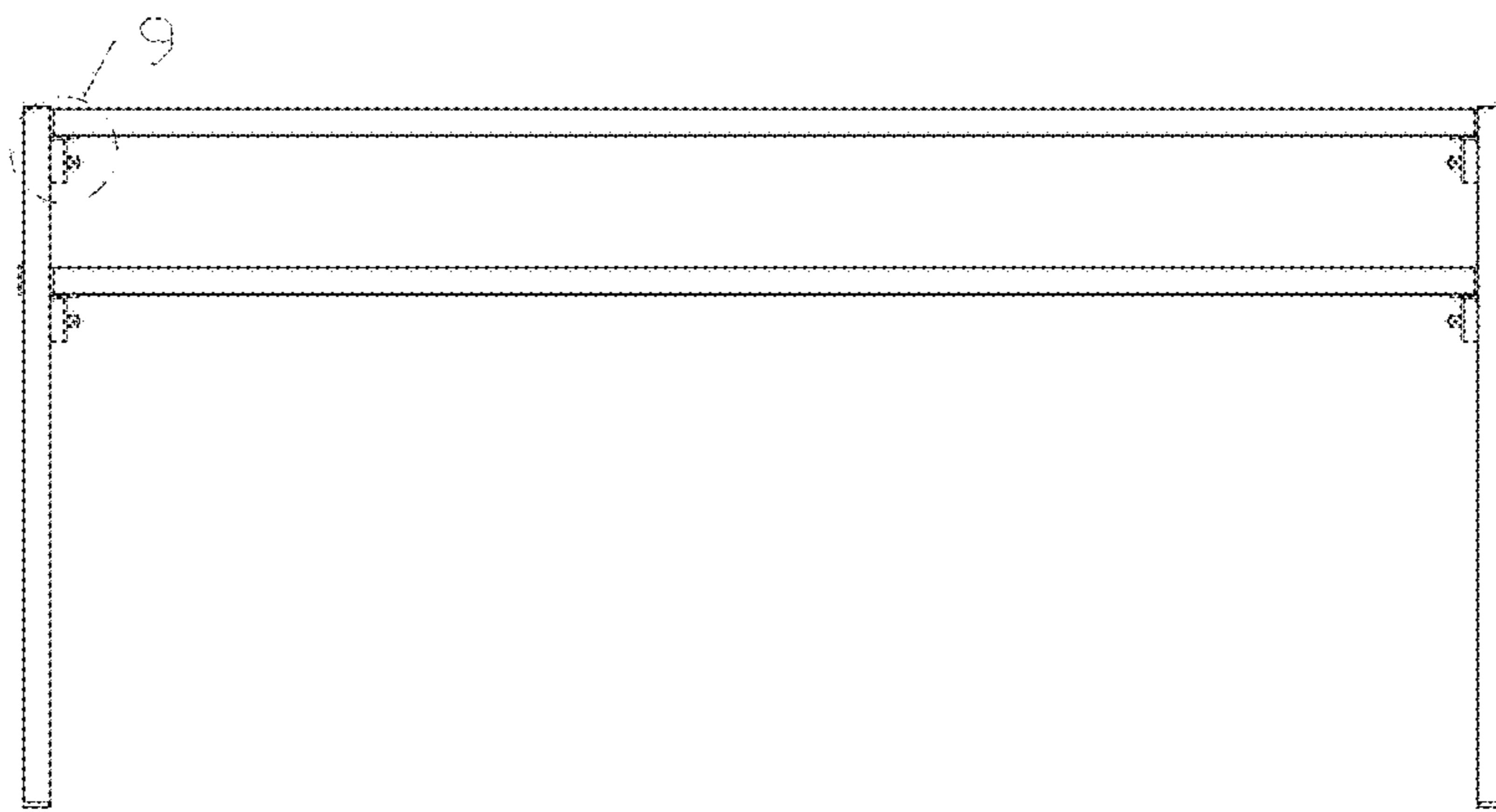


FIG. 3

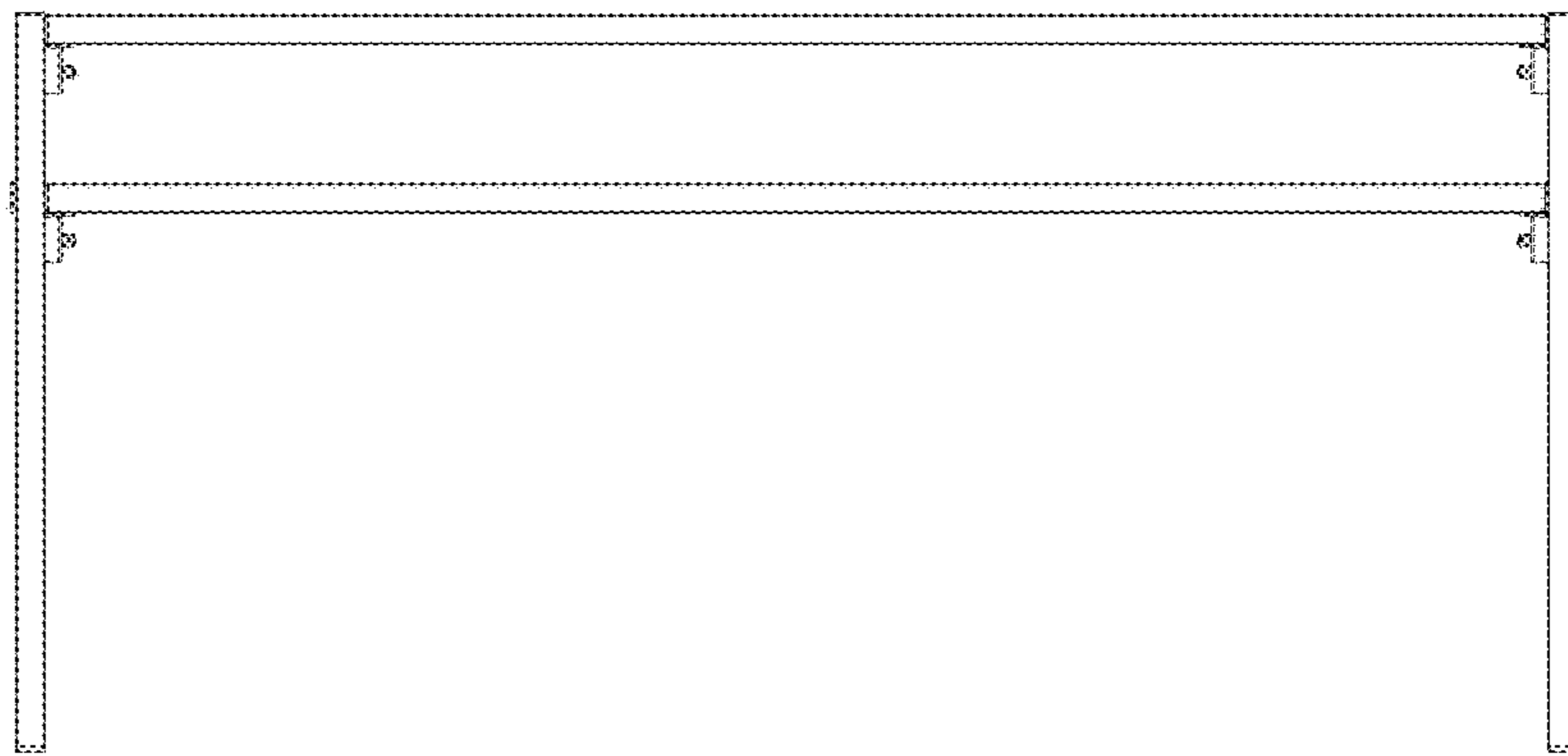


FIG. 4

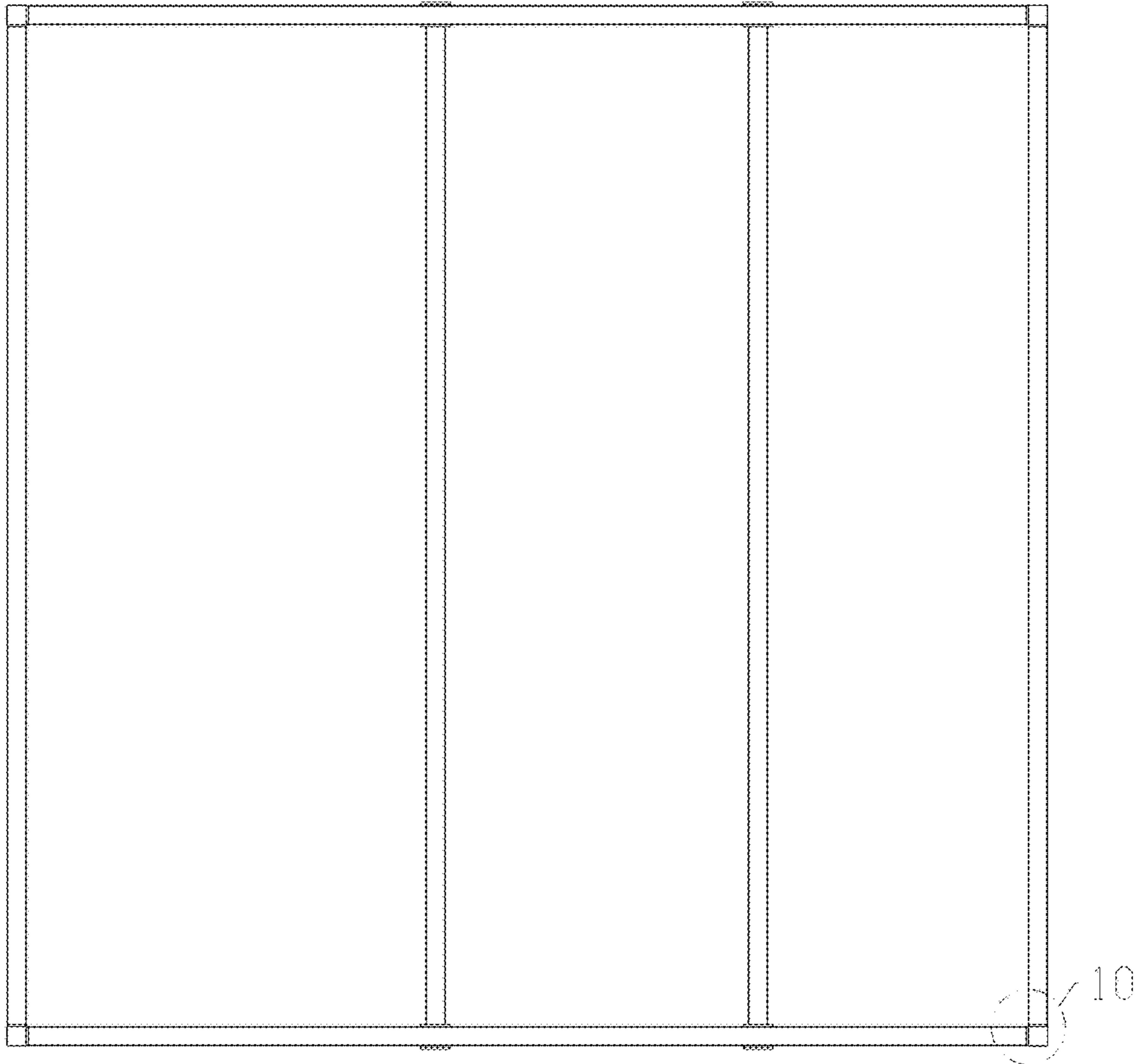


FIG. 5

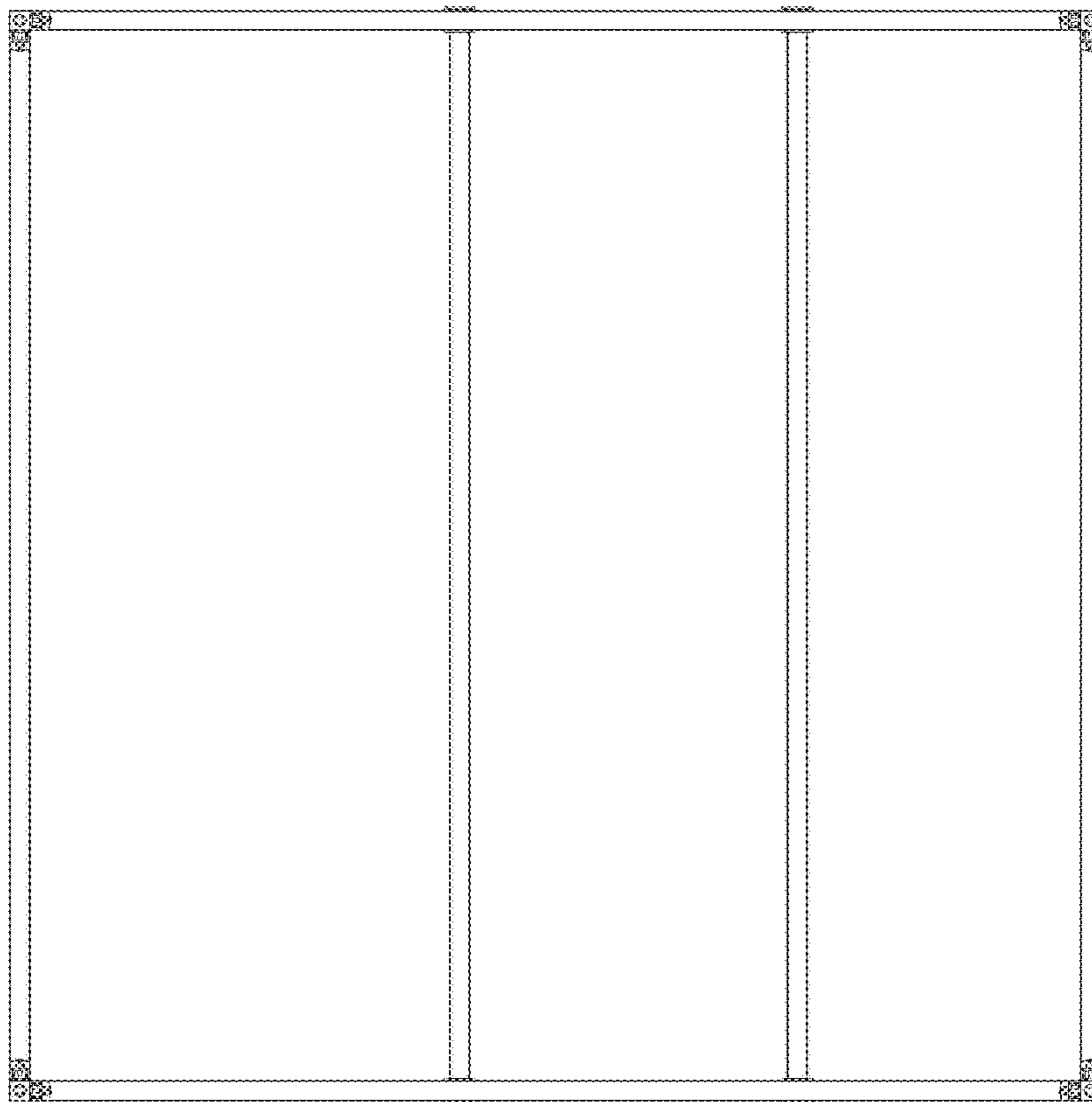


FIG. 6

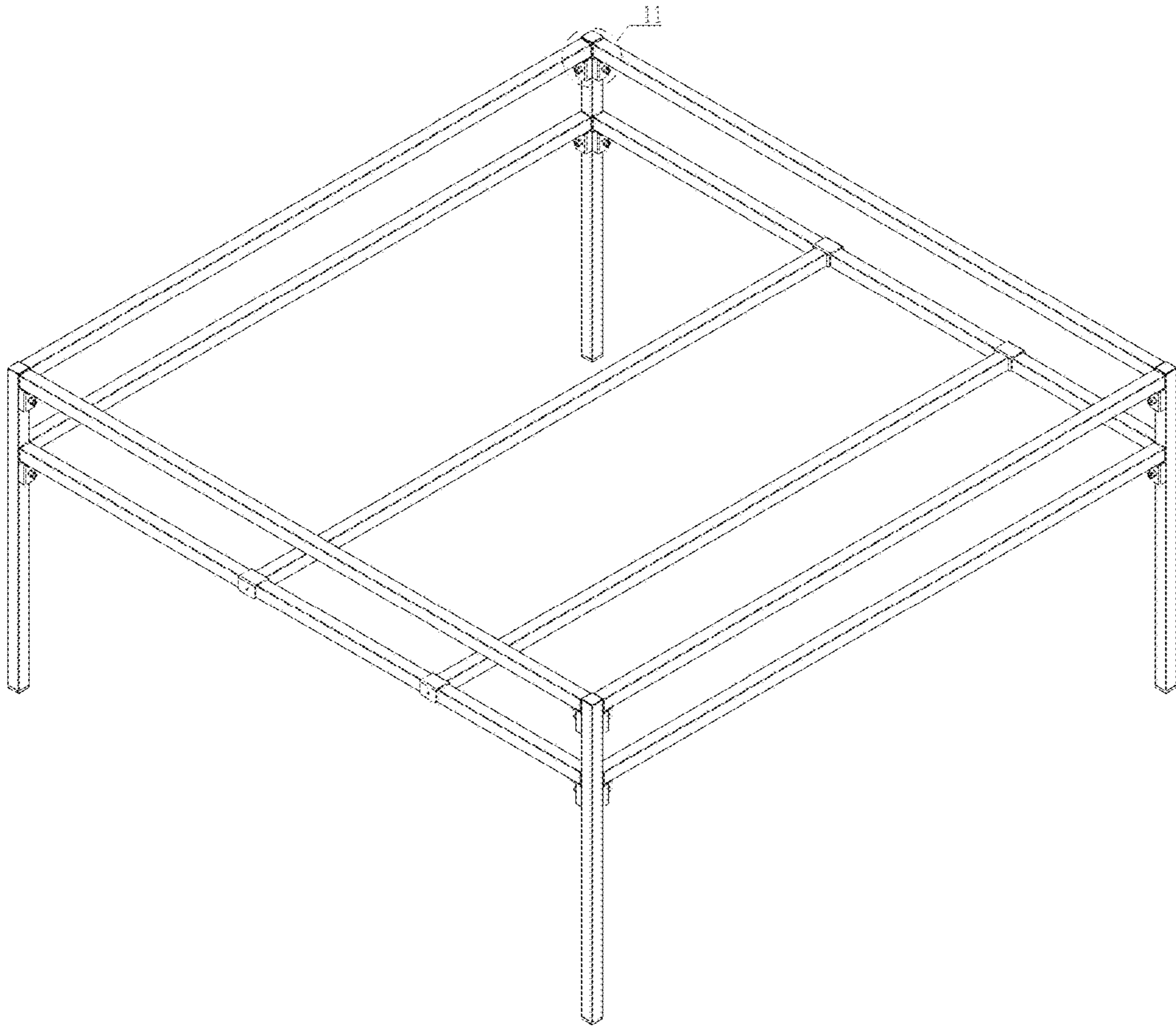


FIG. 7



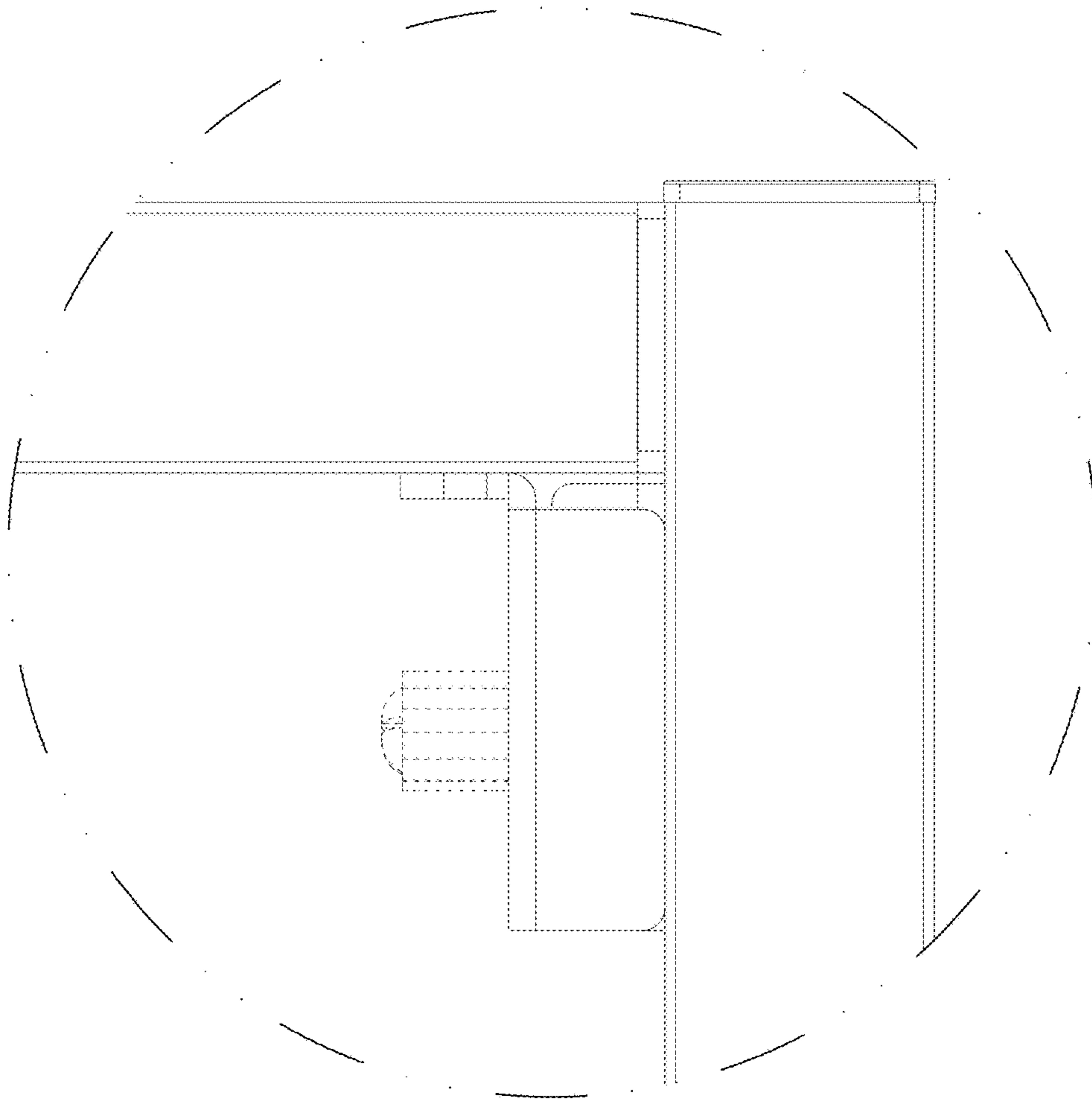


FIG. 8

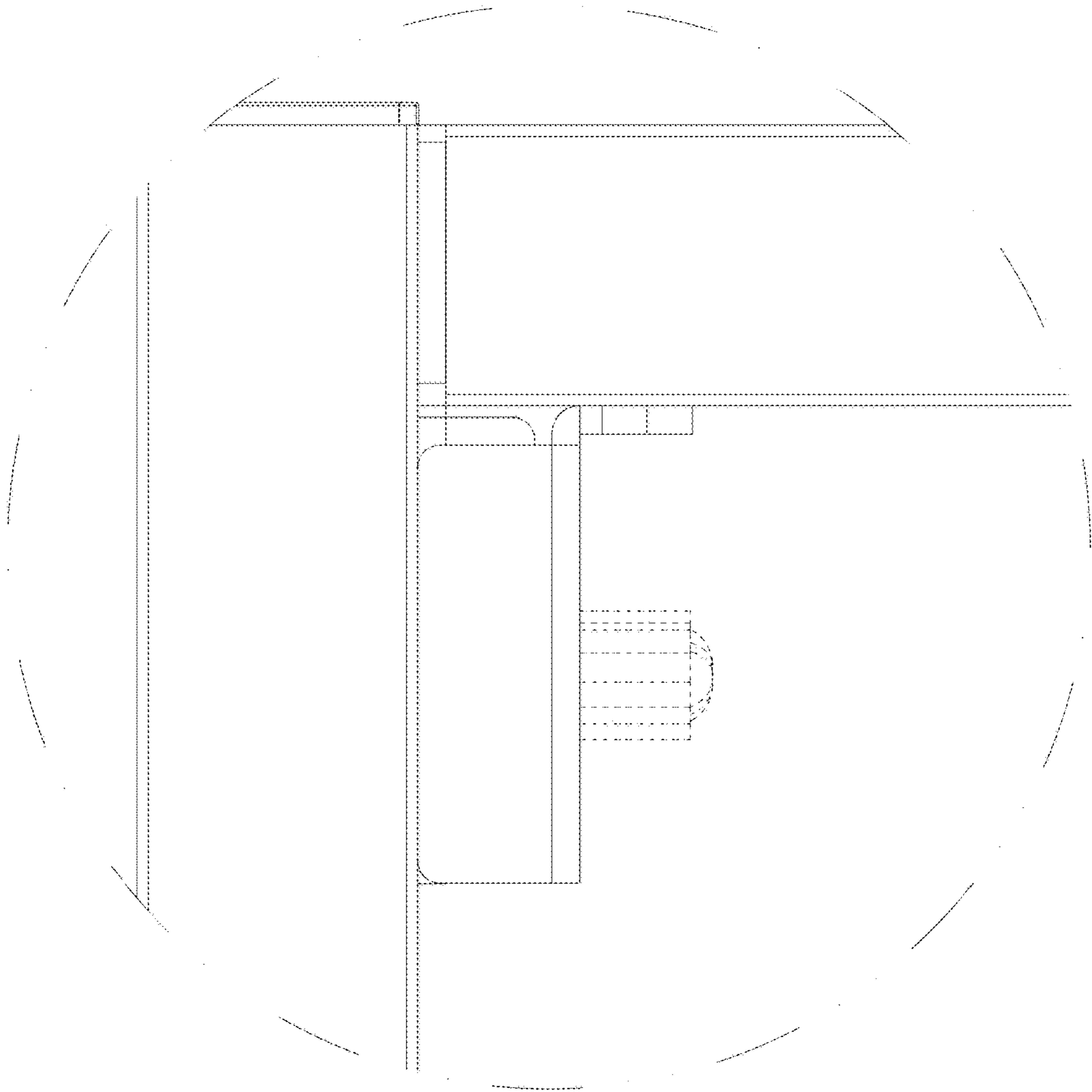


FIG. 9

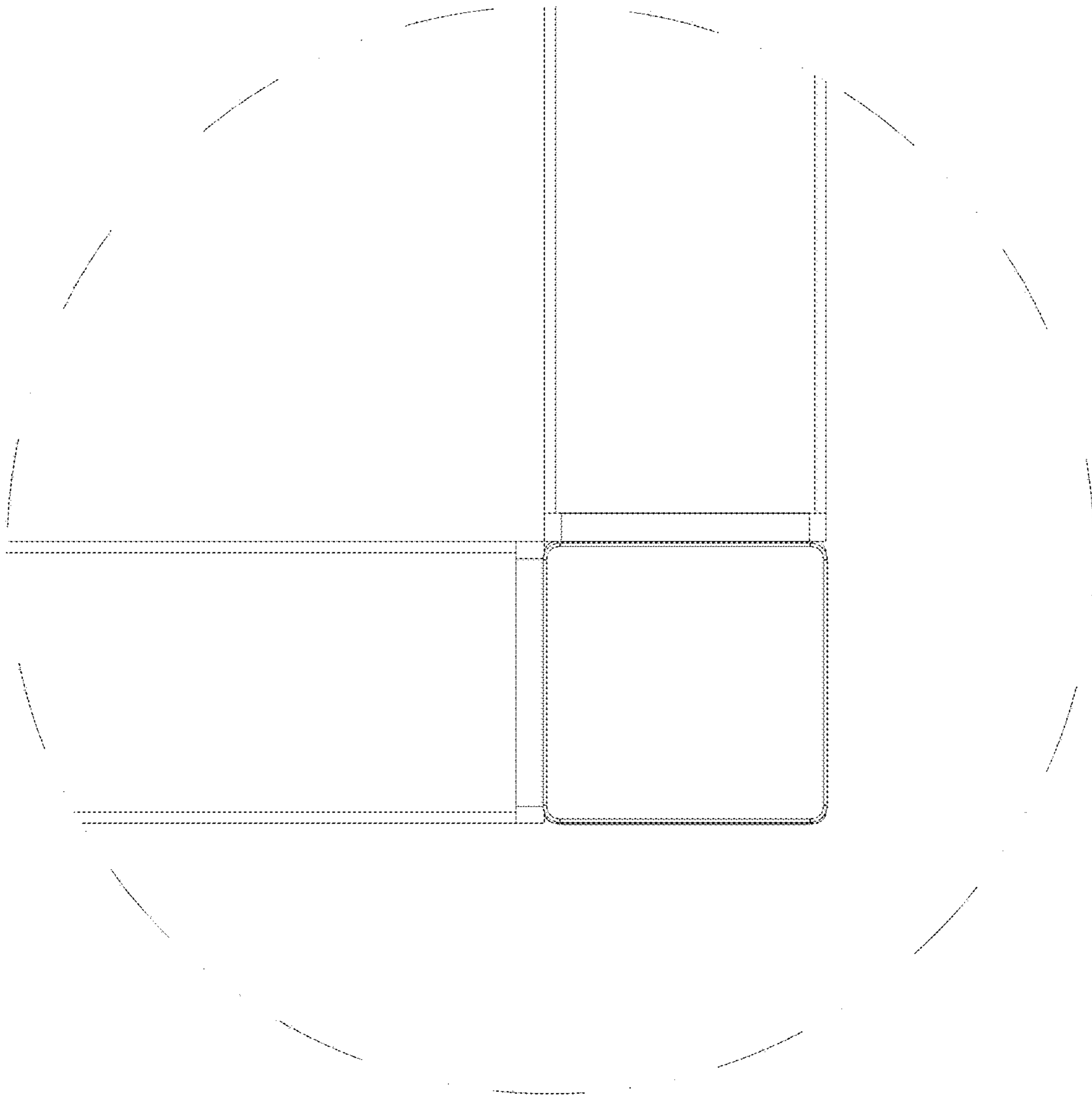


FIG. 10

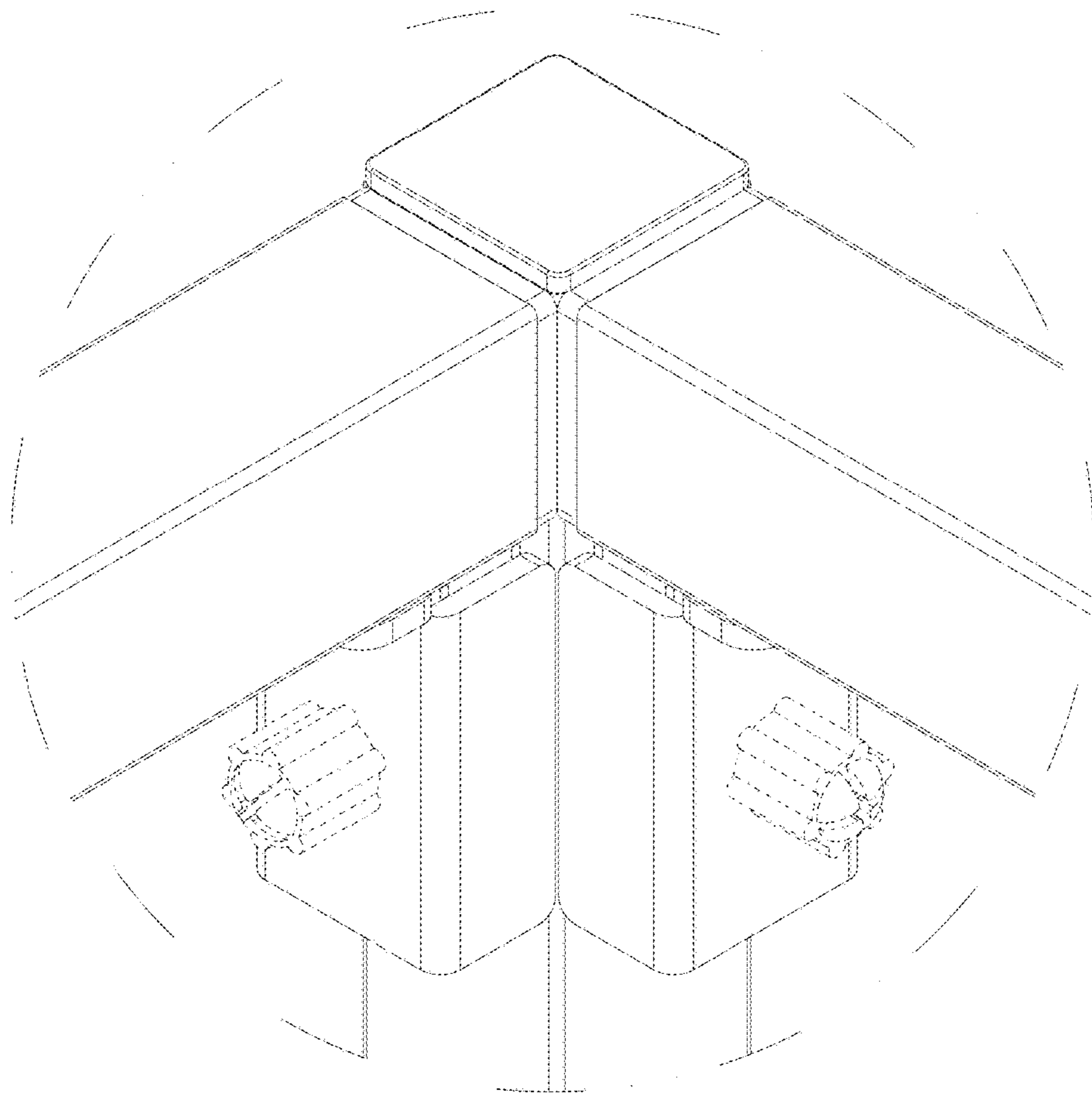


FIG. 11