



US00D858863S

(12) **United States Design Patent** (10) **Patent No.:** **US D858,863 S**
Deng (45) **Date of Patent:** **** Sep. 3, 2019**

(54) EXPLOSION-PROOF LIGHT	8,348,476 B2 * 1/2013 Fletcher F21V 15/01 362/249.02
(71) Applicant: Jinsheng Deng , Dongguan (CN)	D690,450 S * 9/2013 Guercio D26/72 8,920,003 B2 * 12/2014 Cheng F21V 29/00 362/364
(72) Inventor: Jinsheng Deng , Dongguan (CN)	D749,974 S * 2/2016 Hobbach D10/114.2 D758,231 S * 6/2016 Hobbach D10/114.2
(73) Assignee: DONGGUAN PAN AMERICAN ELECTRONICS CO., LTD. Dongguan, Guangdong (CN)	D767,195 S * 9/2016 Pollack, Jr. D26/119 D821,017 S * 6/2018 Brannon D26/87 D829,363 S * 9/2018 Lan D26/119 D832,491 S * 10/2018 Murphy D26/118 D832,493 S * 10/2018 Murphy D26/118 10,145,555 B2 * 12/2018 Ohai F21V 31/005
(**) Term: 15 Years	2009/0146573 A1 * 6/2009 Deng H05B 35/00 315/175

(21) Appl. No.: **29/641,557**

(22) Filed: **Mar. 22, 2018**

(51) **LOC (12) Cl.** **26-05**

(52) **U.S. Cl.**
USPC **D26/119**

(58) **Field of Classification Search**
USPC D26/1, 24, 25, 51, 62, 83, 118, 119, 152;
D10/104.1, 114.1, 114.2
CPC F21S 9/022; F21S 9/024; F21S 6/00; F21S
6/002; F21S 8/02; F21S 8/03; F21S 8/04;
F21S 8/003; F21S 8/033; F21S 8/036;
F21V 15/00; F21V 15/01; F21V 15/02;
F21V 21/02

See application file for complete search history.

(56) **References Cited**

U.S. PATENT DOCUMENTS

3,723,724 A *	3/1973	Appleton	F21V 25/12 200/51.09
D300,372 S *	3/1989	O'Dohanue	D26/67
D359,139 S *	6/1995	Kaczmarek	D26/119
6,095,665 A *	8/2000	Drake	F16M 13/02 362/276
7,988,327 B1 *	8/2011	Knoble	F21S 8/036 362/235
D650,513 S *	12/2011	Blincoe	D26/118
D653,795 S *	2/2012	Guercio	D26/119
D673,319 S *	12/2012	Guercio	D26/87

(Continued)

Primary Examiner — Wan Laymon
Assistant Examiner — Clint A Samuel

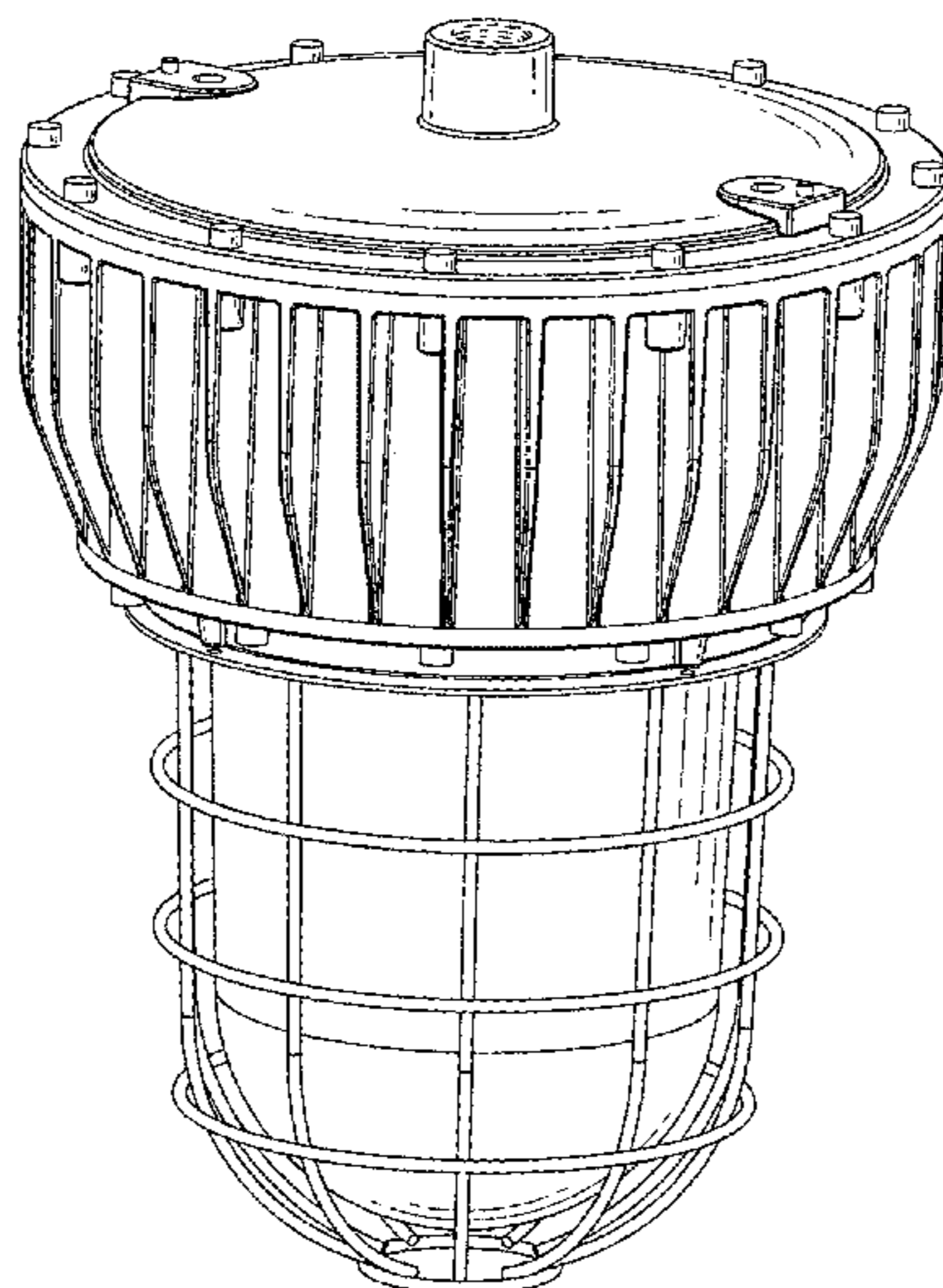
(57) **CLAIM**

The ornamental design for an explosion-proof light, as shown and described.

DESCRIPTION

FIG. 1 is a perspective view of an explosion-proof light showing my new design;
 FIG. 2 is a front elevation view thereof;
 FIG. 3 is a rear elevation view thereof;
 FIG. 4 is a left side elevation view thereof;
 FIG. 5 is a right side elevation view thereof;
 FIG. 6 is a top plan view thereof;
 FIG. 7 is a bottom plan view thereof;
 FIG. 8 is a perspective view showing the explosion-proof light installed on a ceiling; and,
 FIG. 9 is another perspective view showing the explosion-proof light installed on a light holder.
 The broken lines in the drawings illustrate portions of the explosion-proof light that forms no part of the claimed design.

1 Claim, 9 Drawing Sheets



(56)

References Cited

U.S. PATENT DOCUMENTS

2012/0195041	A1 *	8/2012	Fletcher	F21V 15/01 362/249.02
2012/0268936	A1 *	10/2012	Pickard	F21K 9/90 362/249.02
2014/0268885	A1 *	9/2014	Randolph	F21V 3/049 362/650
2014/0347846	A1 *	11/2014	Ahn	F21S 8/036 362/147
2016/0186975	A1 *	6/2016	Ott	F21V 25/12 362/235
2016/0252240	A1 *	9/2016	Lee	F21V 29/51 362/373

* cited by examiner

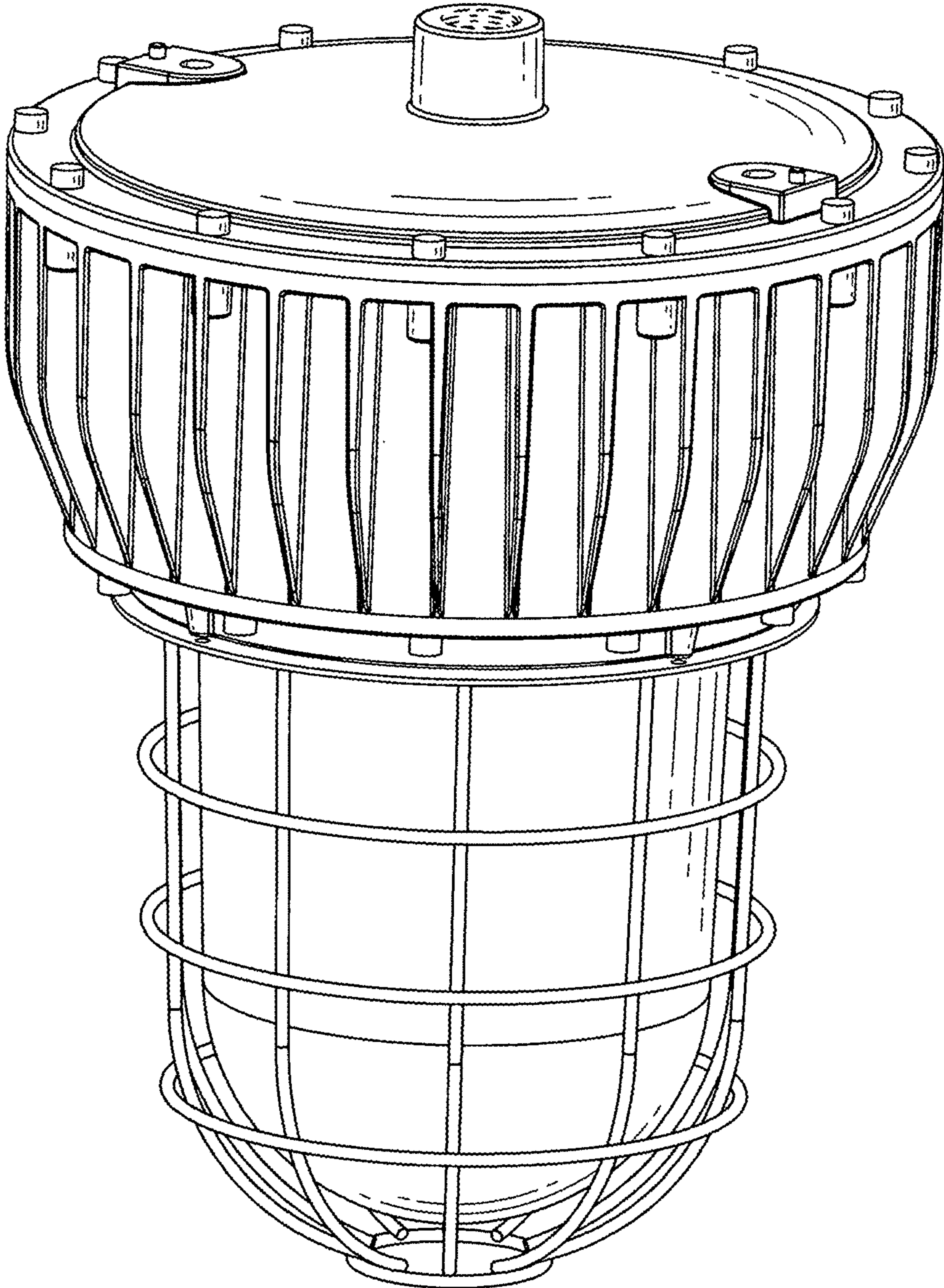


Fig. 1

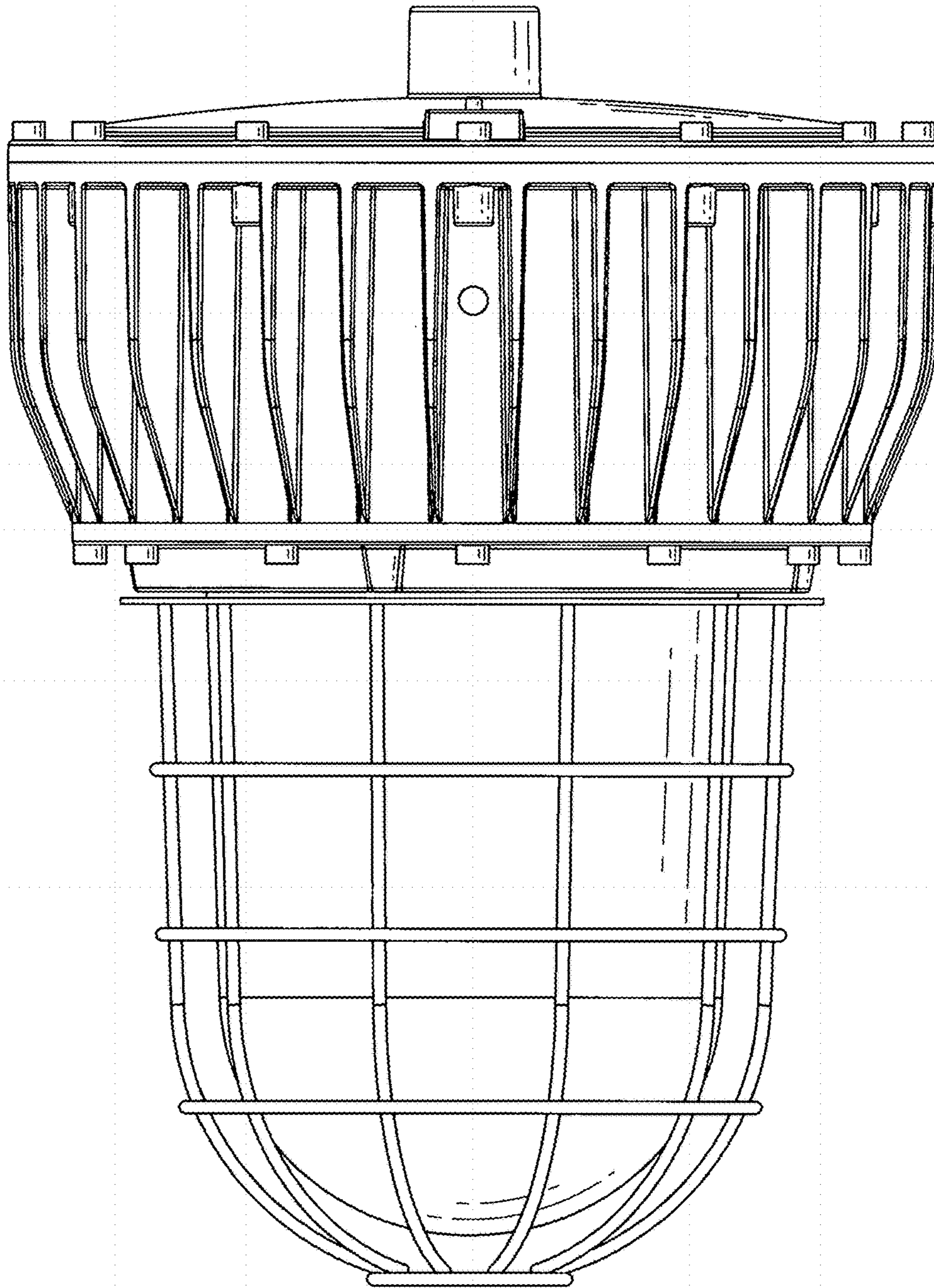


Fig.2

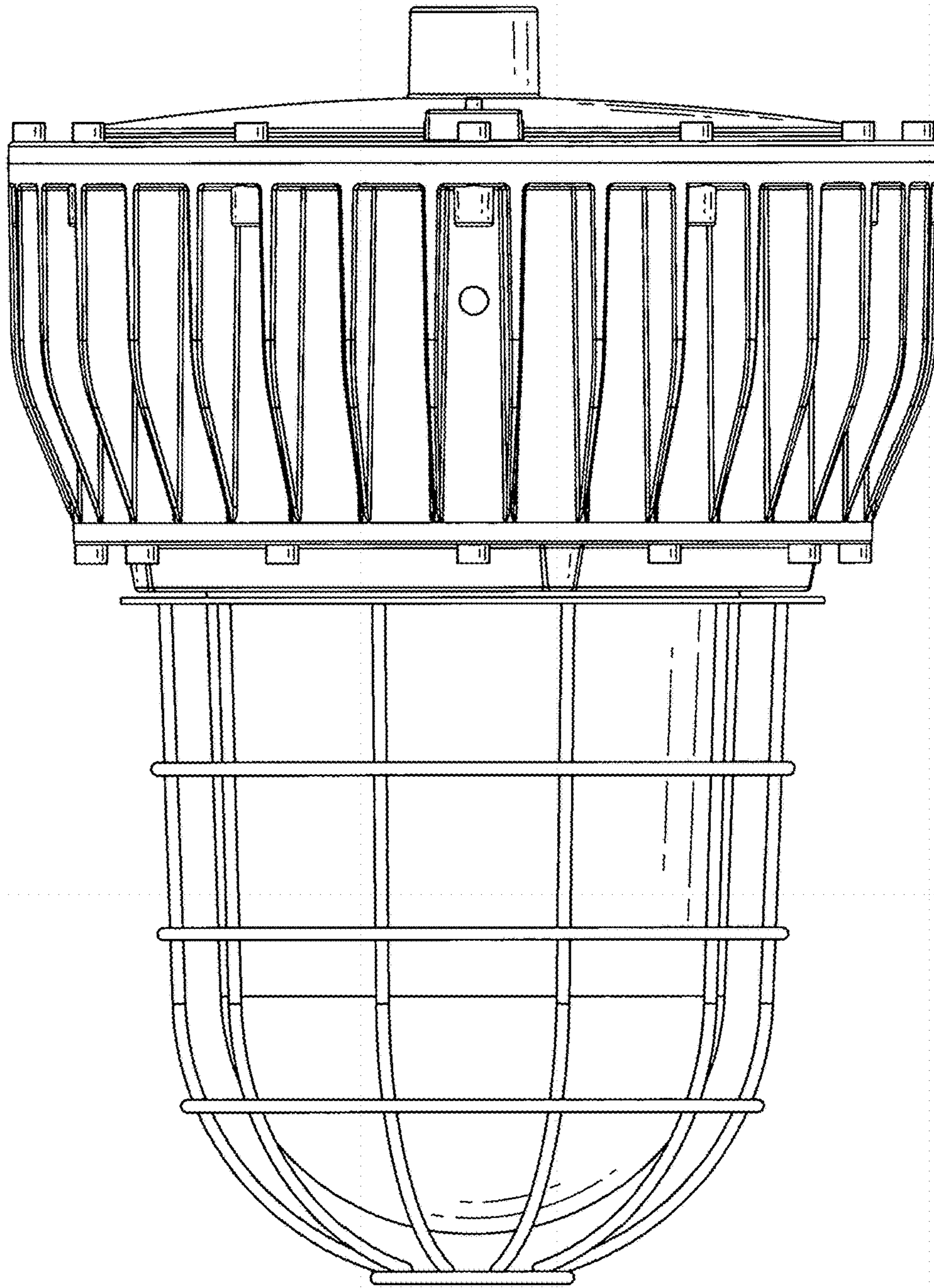


Fig.3

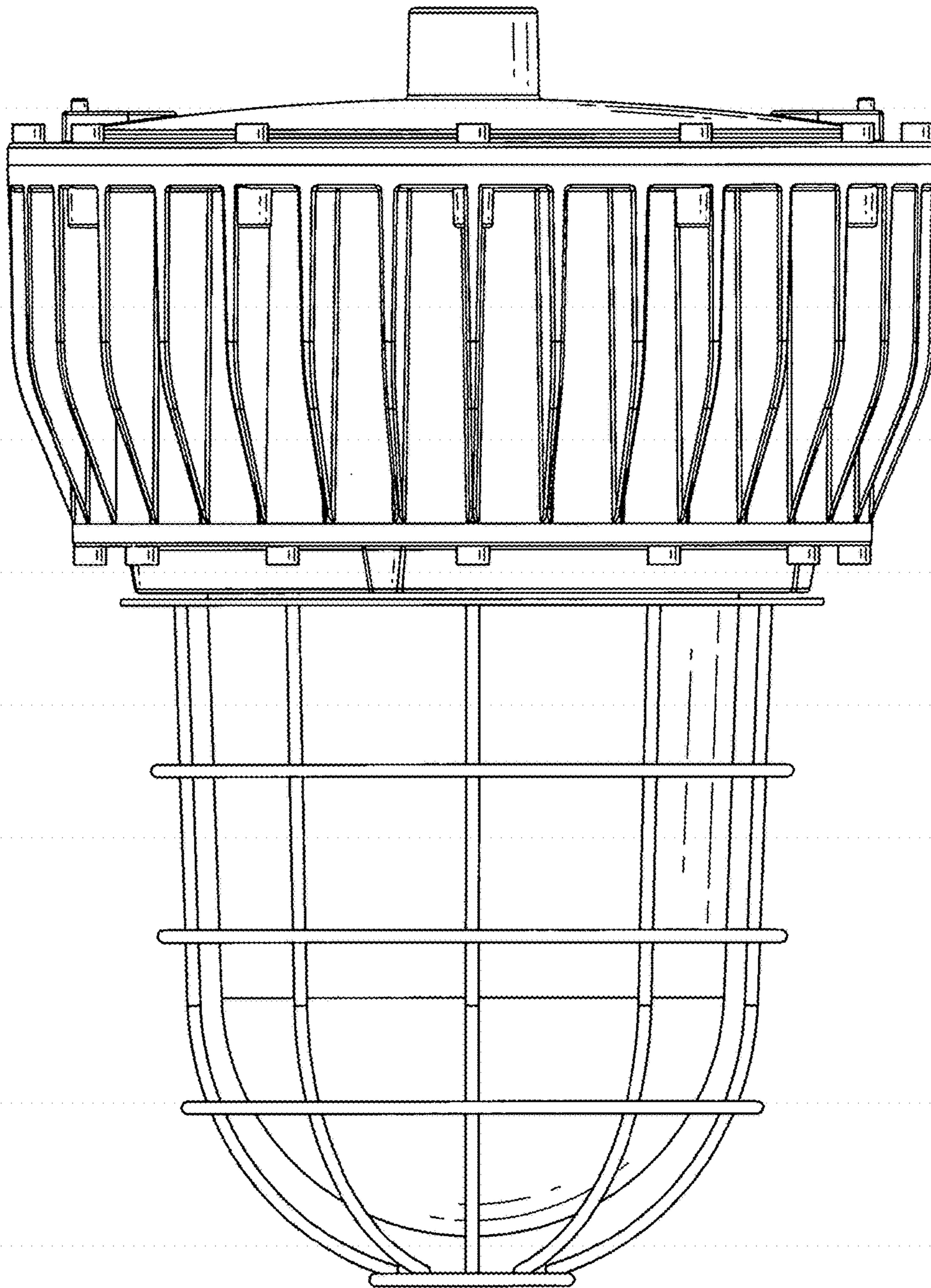


Fig.4

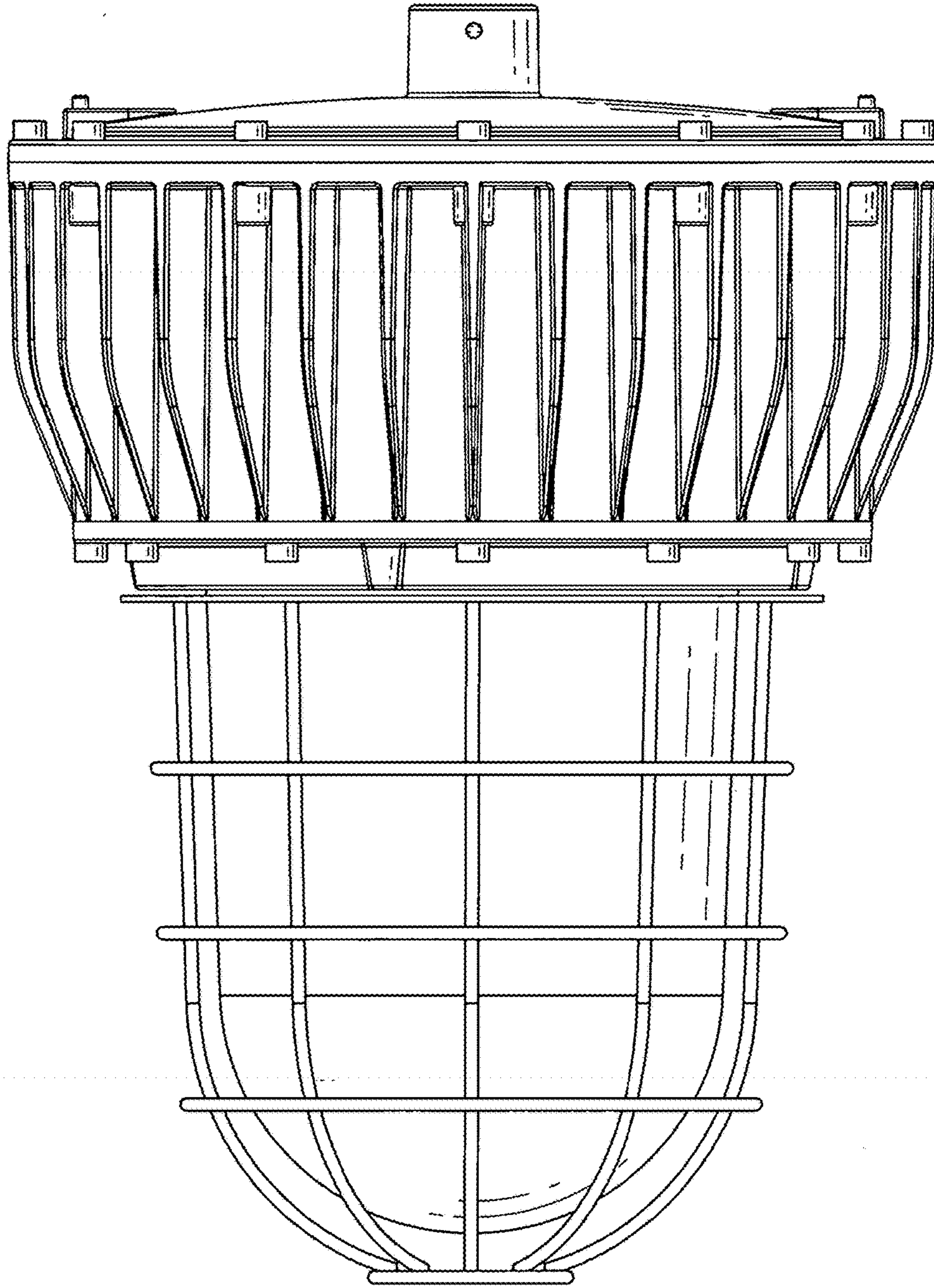


Fig.5

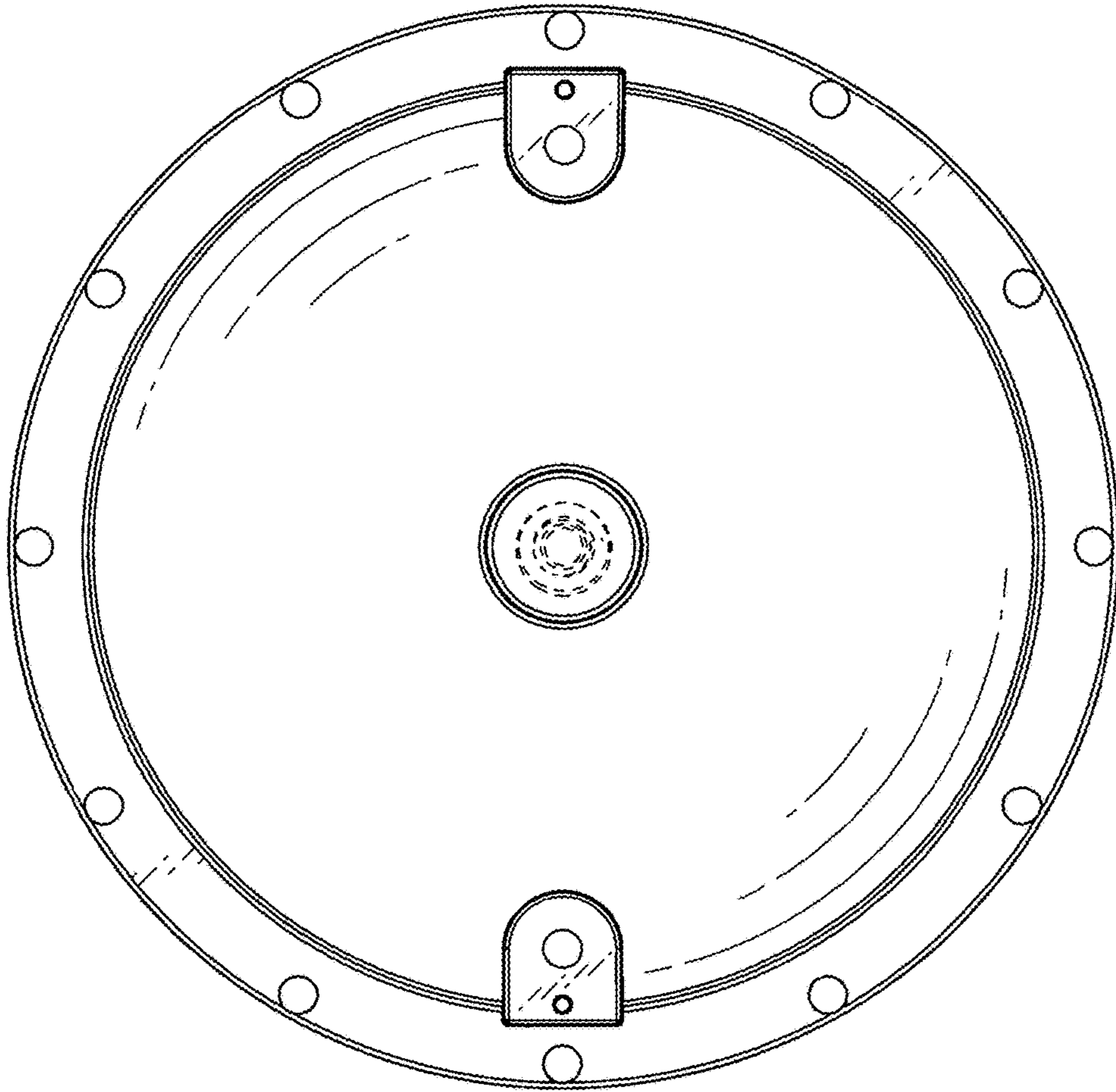


Fig.6

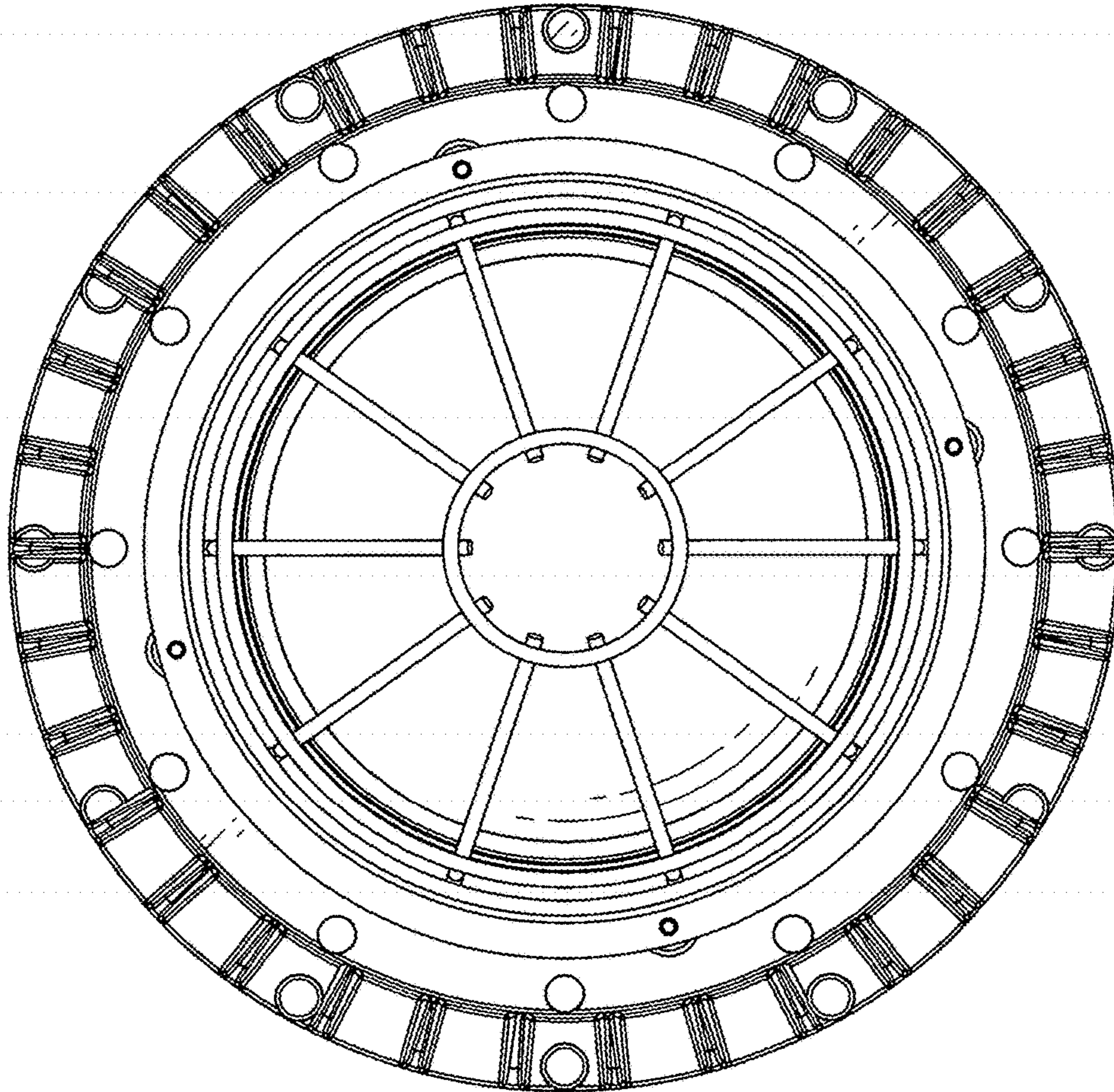


Fig.7

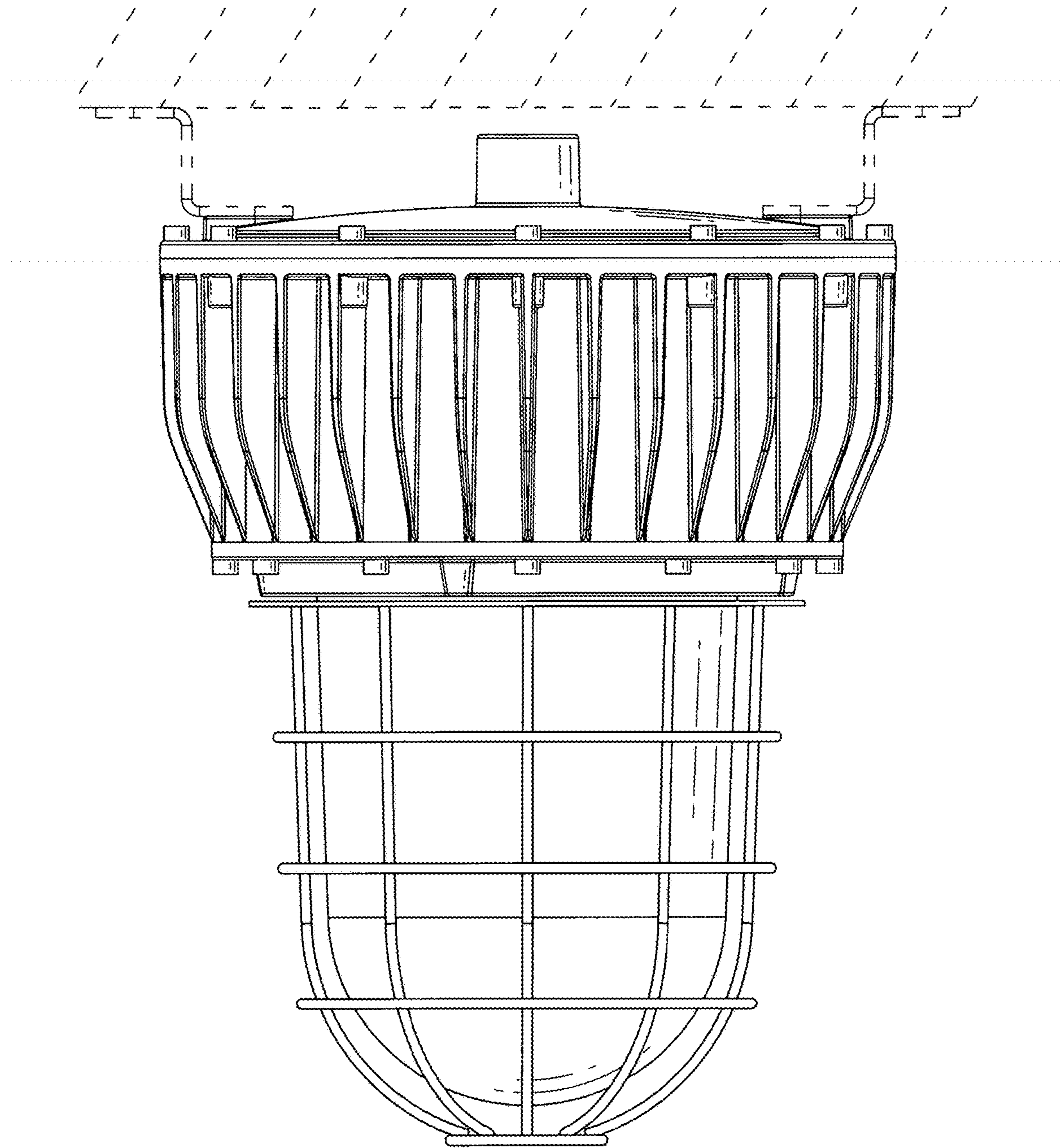


Fig.8

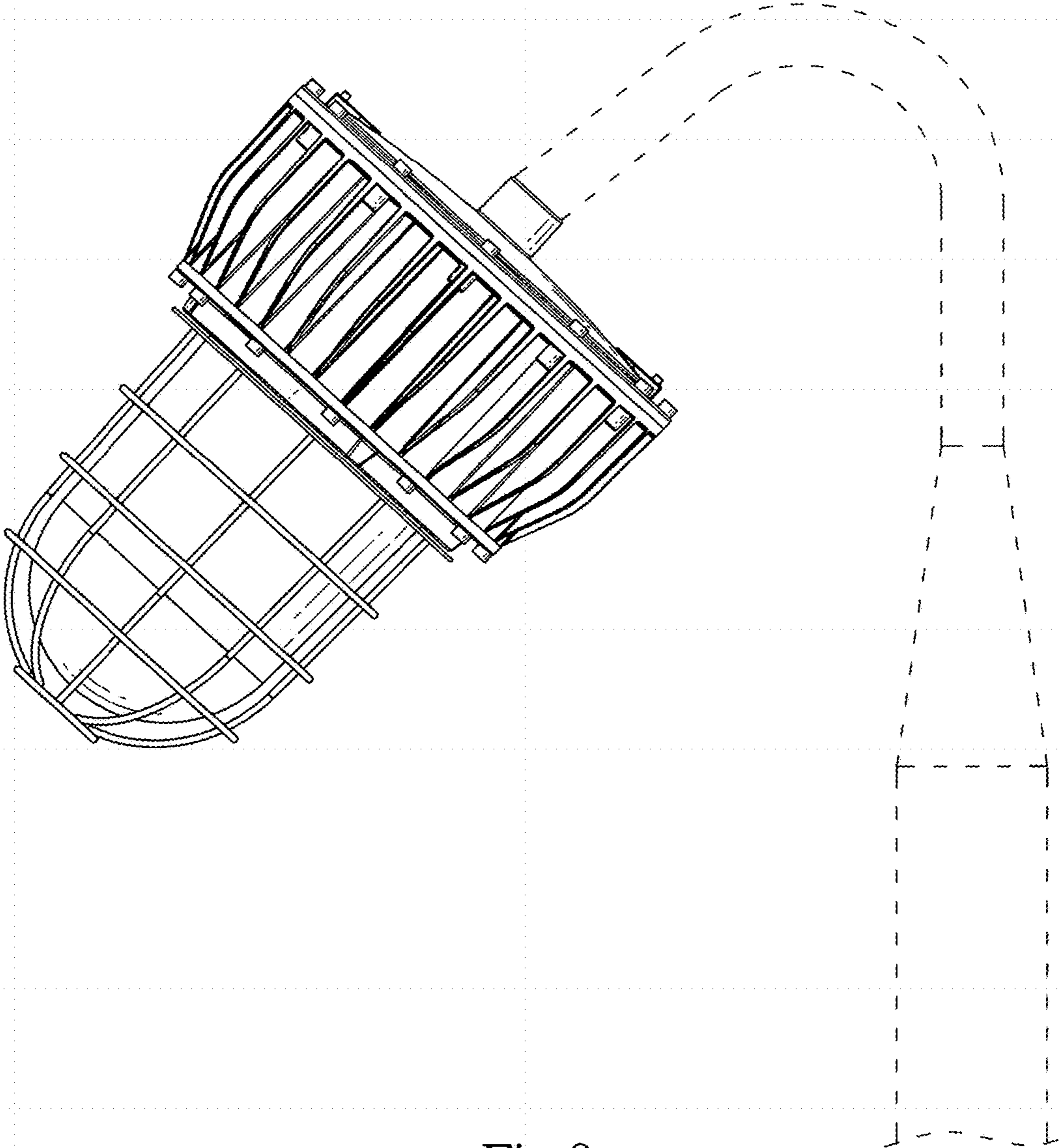


Fig.9