



US00D858862S

(12) **United States Design Patent**  
**Galloppa**

(10) **Patent No.:** **US D858,862 S**

(45) **Date of Patent:** **\*\* Sep. 3, 2019**

(54) **PUBLIC LIGHTING FIXTURE**

(71) Applicant: **SCHREDER, S.A.**, Brussels (BE)

(72) Inventor: **Sandro Galloppa**, Seraing (BE)

(73) Assignee: **Schreder, S.A.**, Brussels (BE)

(\*\*) Term: **15 Years**

(21) Appl. No.: **29/618,799**

(22) Filed: **Sep. 25, 2017**

(30) **Foreign Application Priority Data**

Mar. 24, 2017 (EM) ..... 003822303

(51) **LOC (12) Cl.** ..... **26-03**

(52) **U.S. Cl.**  
USPC ..... **D26/113; D26/92**

(58) **Field of Classification Search**  
USPC ..... D13/134-136; D26/67, 68, 71, 72, 87,  
D26/92  
CPC .. F21S 8/036; F21S 8/038; F21S 8/043; F21S  
8/081; F21S 8/083; F21S 8/085; F21S  
8/086; F21S 8/088; F21S 13/10; F21S  
9/03; F21S 9/035; F21S 9/037; F21S  
10/063

See application file for complete search history.

(56) **References Cited**

**U.S. PATENT DOCUMENTS**

D616,592 S \* 5/2010 Chen ..... D26/71  
D634,875 S \* 3/2011 Jiang ..... D26/71

D648,885 S \* 11/2011 Toratani ..... D26/71  
D672,492 S \* 12/2012 Butler ..... D26/71  
D785,231 S \* 4/2017 Shundong ..... D26/92  
D807,552 S \* 1/2018 Iguchi ..... D26/72  
D819,859 S \* 6/2018 Zou ..... D26/71  
D822,261 S \* 7/2018 Demuynck ..... D26/92  
D822,868 S \* 7/2018 Liu ..... D26/71

\* cited by examiner

*Primary Examiner* — Brian N. Vinson

(74) *Attorney, Agent, or Firm* — Kirschstein, Israel,  
Schiffmiller & Pieroni, P.C.

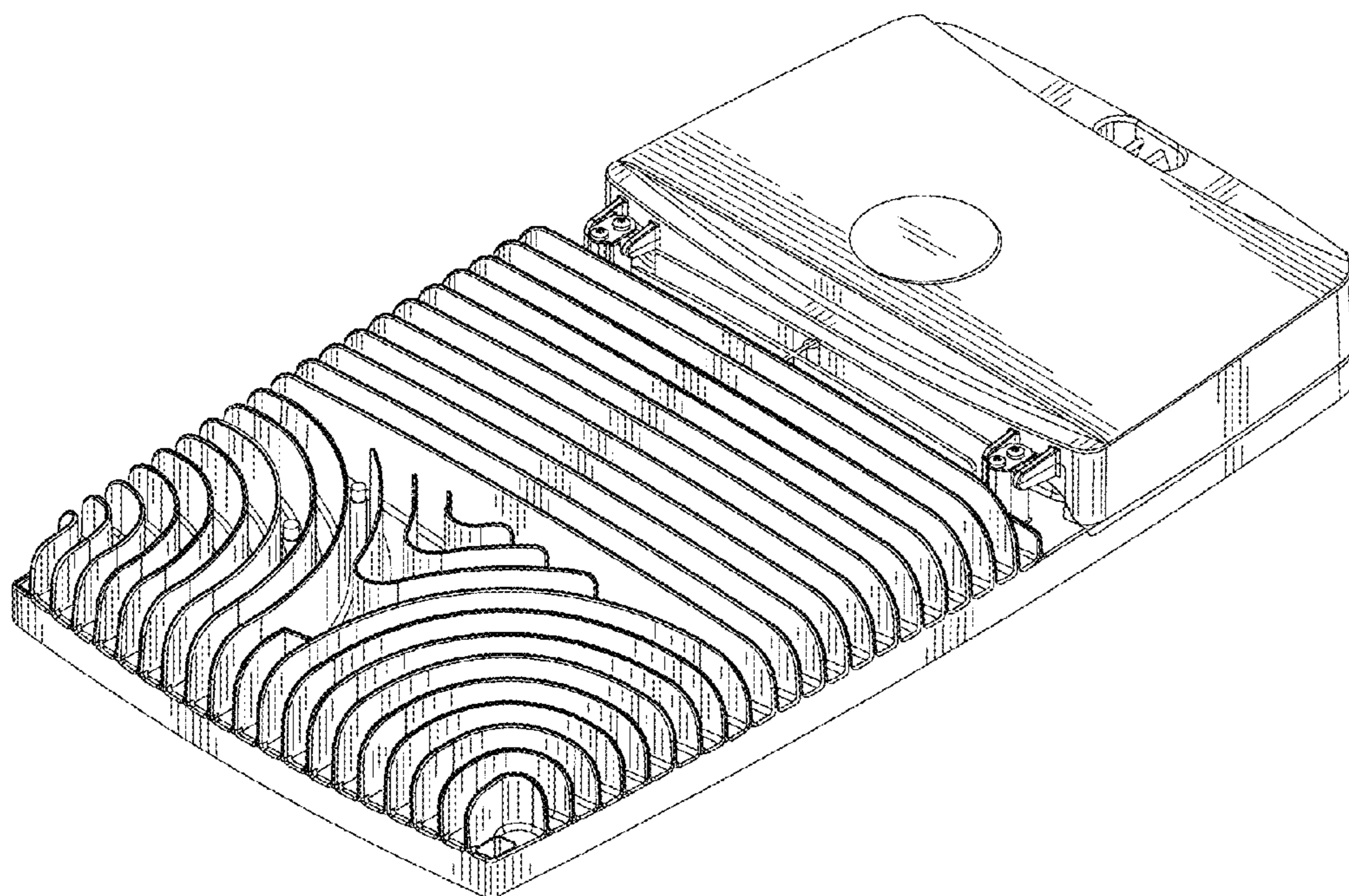
(57) **CLAIM**

The ornamental design for a public lighting fixture, as shown and described.

**DESCRIPTION**

FIG. 1 is a perspective view of a public lighting fixture as seen from above according to my new design.  
FIG. 2 is a perspective view thereof as seen from below.  
FIG. 3 is a top plan view thereof.  
FIG. 4 is a bottom plan view thereof.  
FIG. 5 is a rear elevational view thereof.  
FIG. 6 is a front elevational view thereof; and,  
FIG. 7 is a right side elevational view thereof, the left side being a mirror image.

**1 Claim, 6 Drawing Sheets**



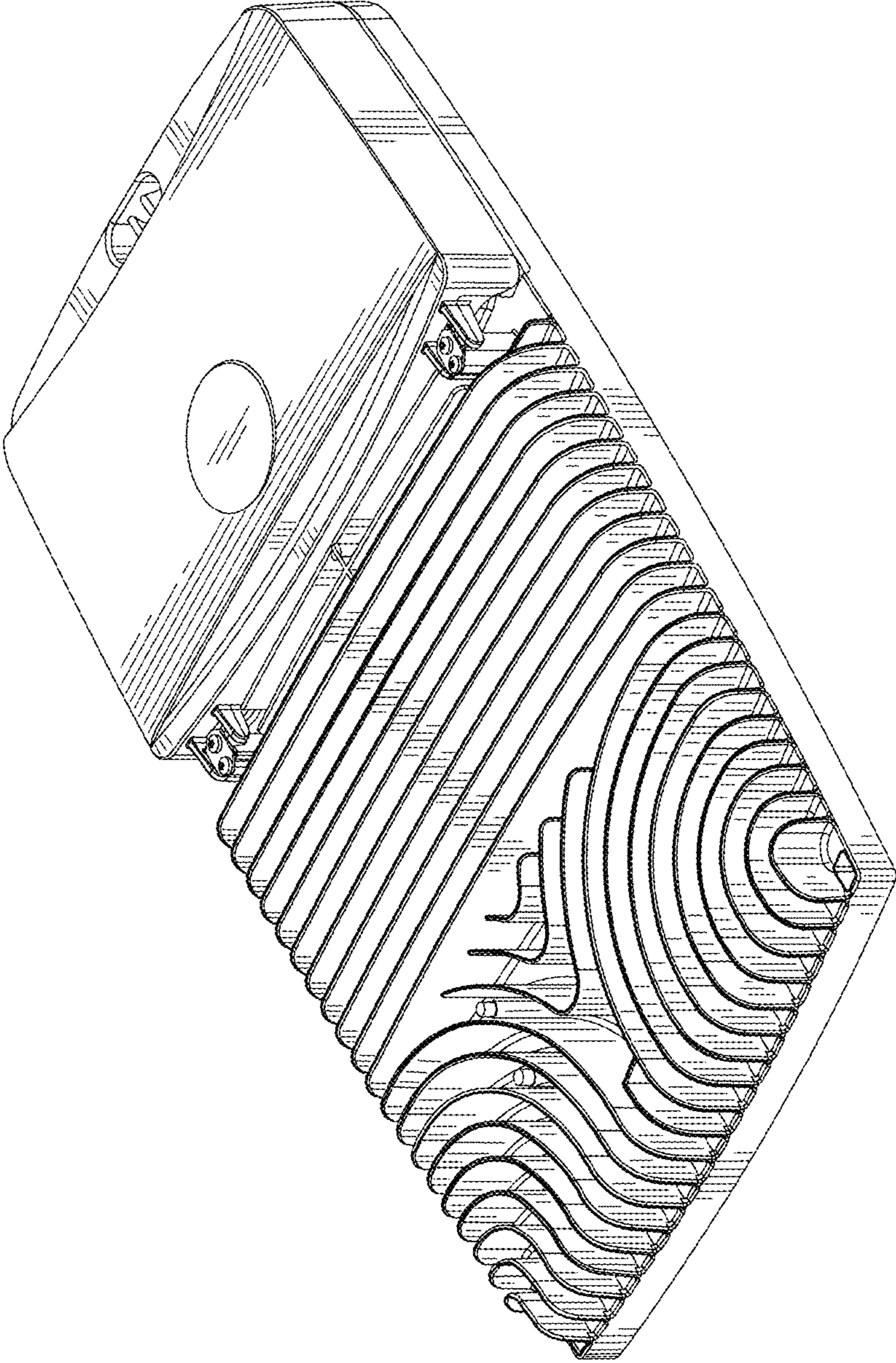


FIG. 1

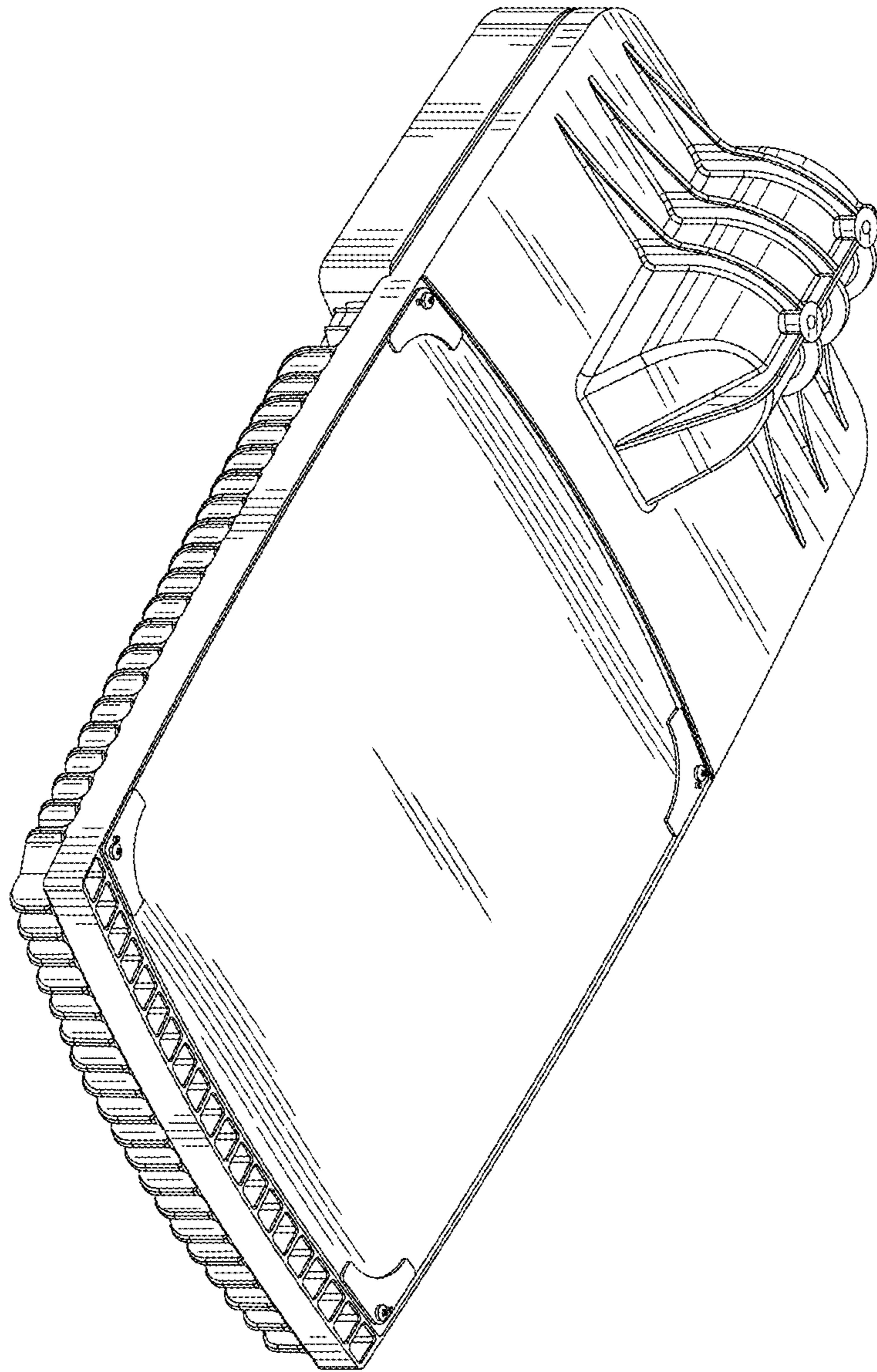


FIG. 2

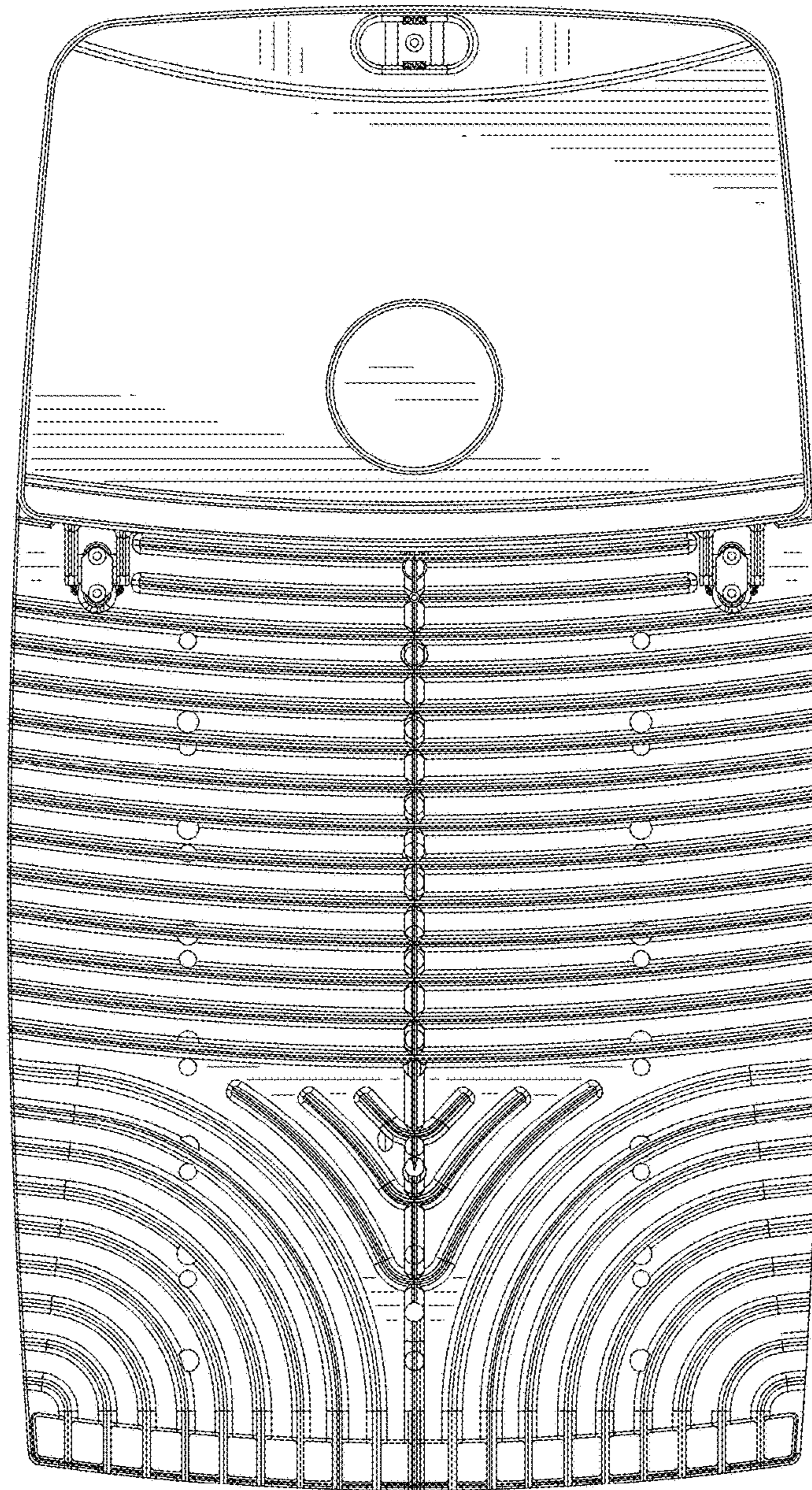


FIG. 3

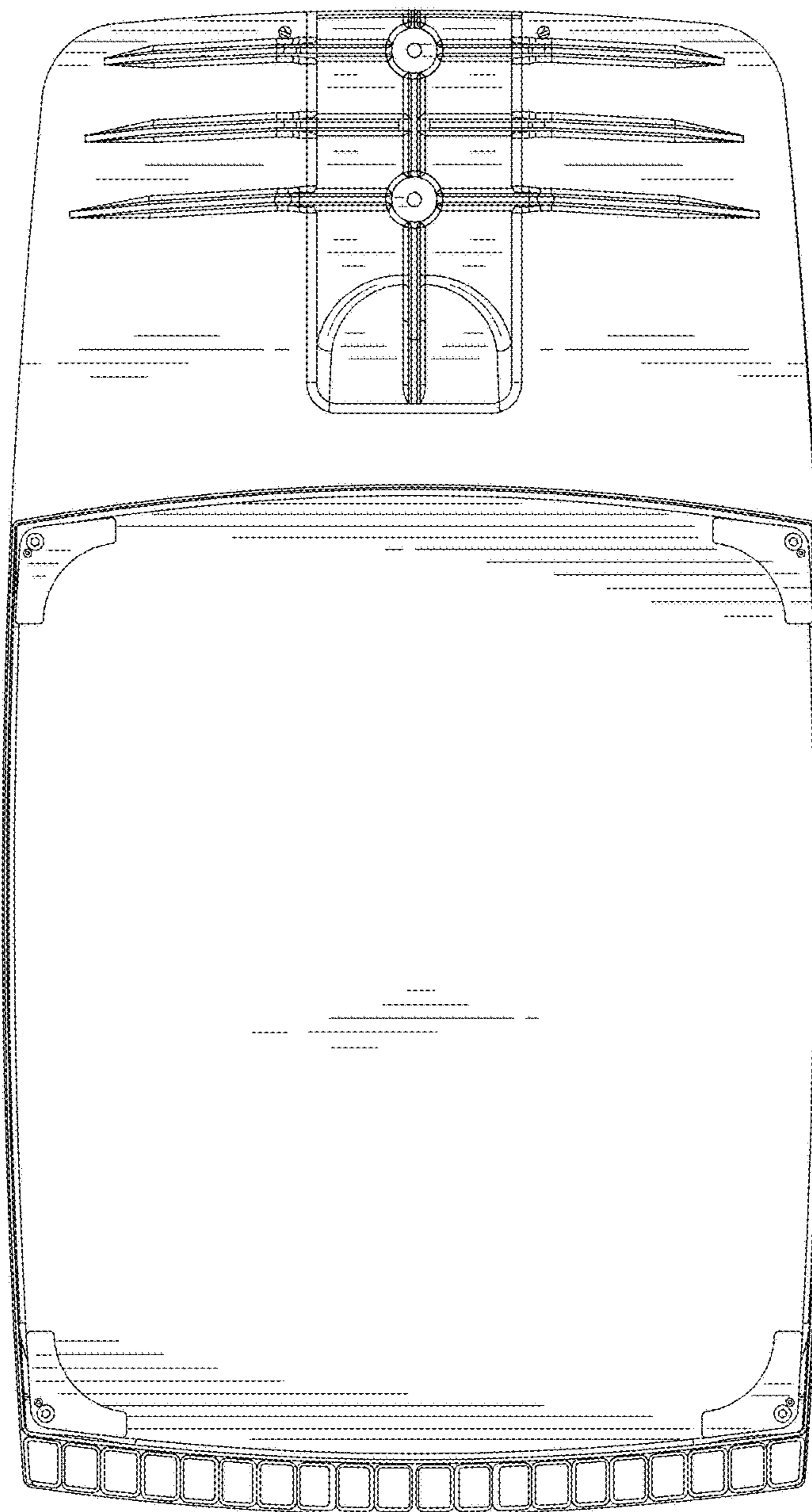


FIG. 4

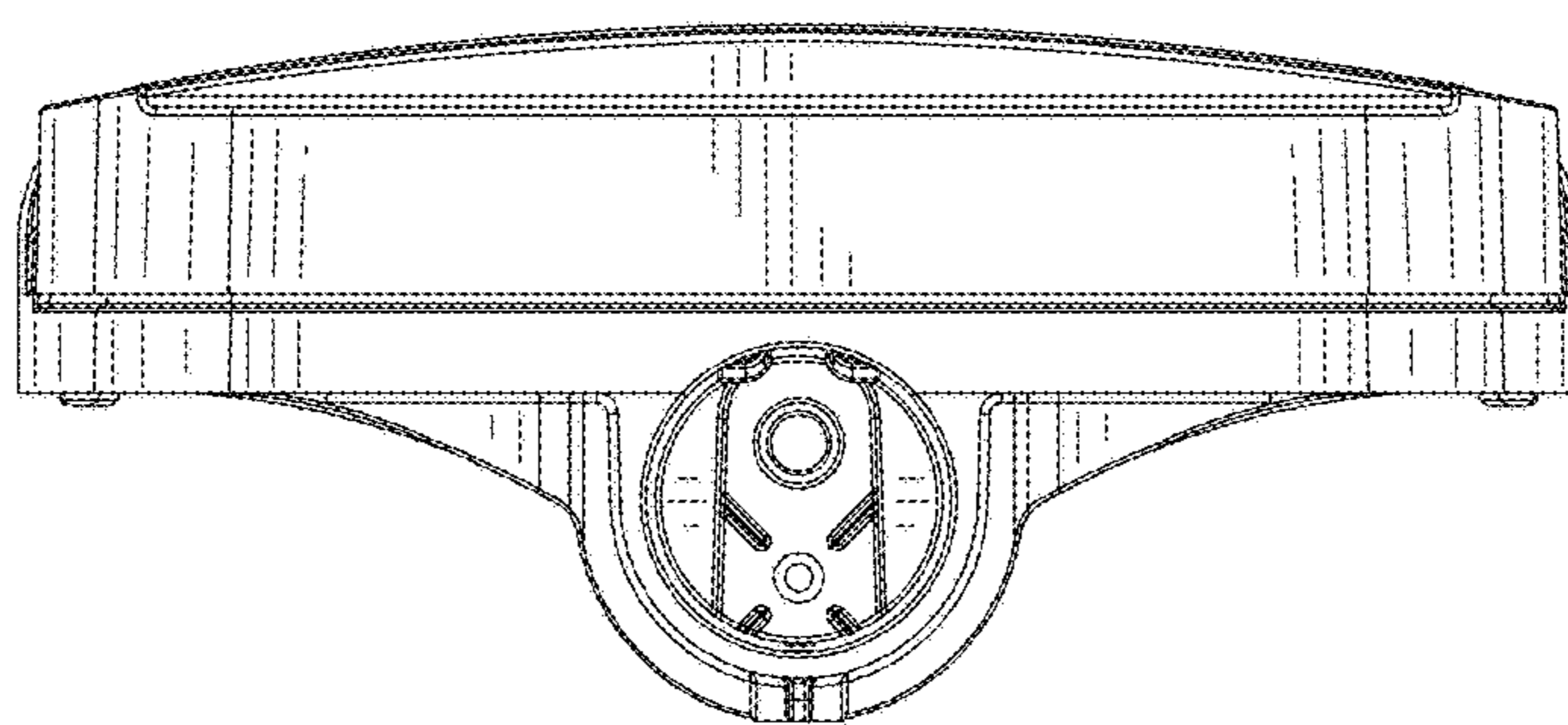


FIG. 5

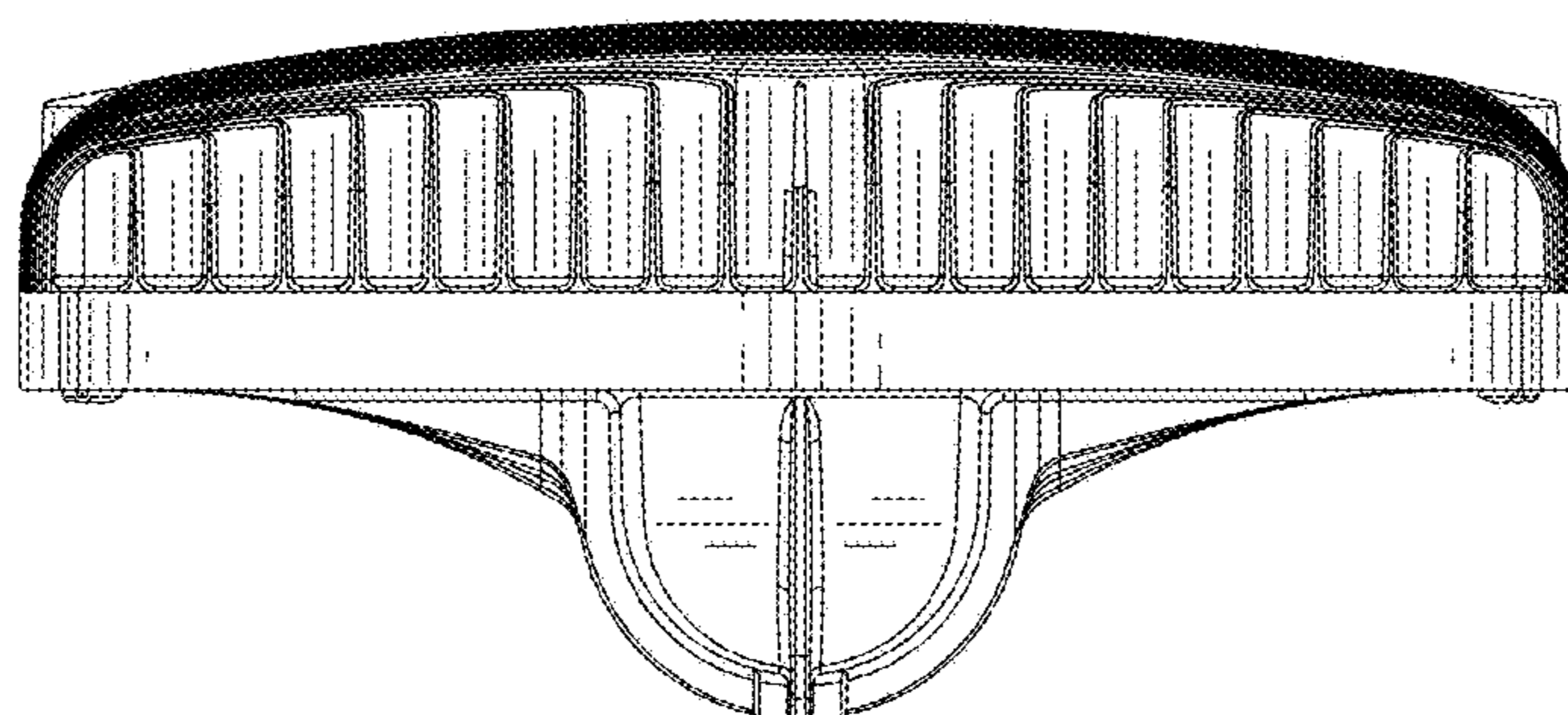


FIG. 6

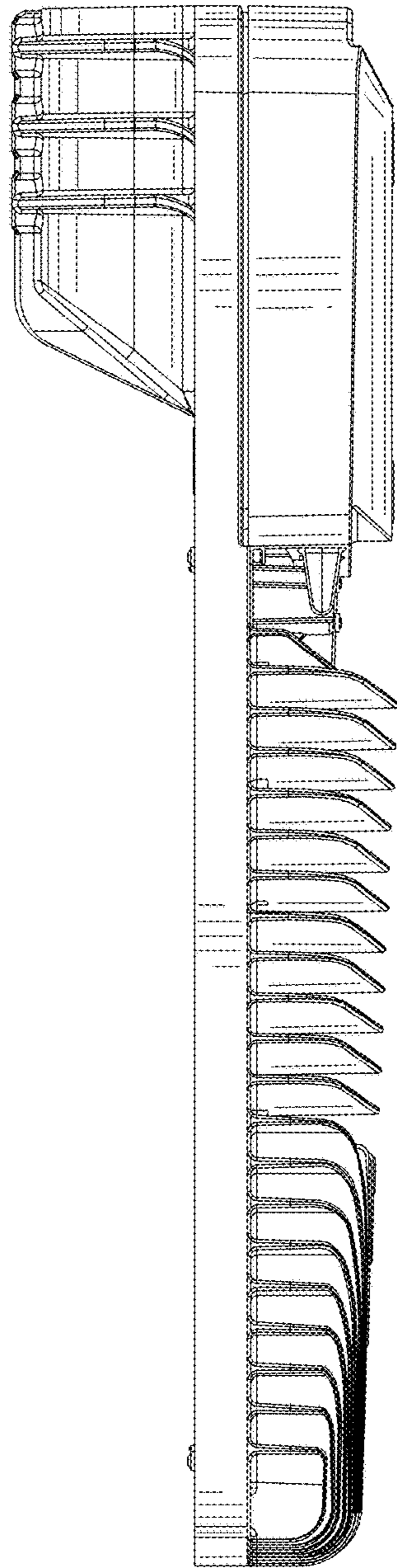


FIG. 7