



US00D858860S

(12) **United States Design Patent** (10) **Patent No.:** **US D858,860 S**
Lin (45) **Date of Patent:** **** Sep. 3, 2019**

(54) **STAR PROJECTOR LAMP**

(71) Applicant: **Ruikun Lin**, Shantou (CN)

(72) Inventor: **Ruikun Lin**, Shantou (CN)

(**) Term: **15 Years**

(21) Appl. No.: **29/692,143**

(22) Filed: **May 23, 2019**

(30) **Foreign Application Priority Data**

May 7, 2019 (CN) 2019302191242

(51) **LOC (12) Cl.** **26-03**

(52) **U.S. Cl.**
USPC **D26/106**

(58) **Field of Classification Search**
USPC D26/1, 24, 104, 105, 106, 108, 110, 111,
D26/112, 118, 124, 93; D11/131, 157,
D11/184, 121, 125
CPC .. A63H 13/00; F21S 6/00; F21S 6/002; F21S
10/00; F21V 3/00; F21V 3/0418; F21V
15/00; F21V 21/02; F21V 31/00; F21W
2121/00; F21W 2131/30
See application file for complete search history.

(56) **References Cited**

U.S. PATENT DOCUMENTS

D393,016 S *	3/1998	Young	D26/110
D395,715 S *	6/1998	Queen	D26/110
D731,107 S *	6/2015	Wu	D26/104
D752,802 S *	3/2016	Johnson	D26/110
D829,961 S *	10/2018	Lin	D26/104

OTHER PUBLICATIONS

“Starry Night Light Projector, LED Lamp Star Moon Projector Rotating Night Light Sleep Soother for Baby Kids Bedroom Decoration Ideal Gift with Ocean Undersea Projection Film 8 Colors

Mode”, Retrieved May 22, 2019]. Retrieved from Internet, <https://www.amazon.com/Projector-Rotating-Decoration-Undersea-Projection/dp/B07N5ZPVC6/>.
“Acecharming Ocean World/Star Night Light Projector, 360 Degree Rotating Projection Light Lamp with 2 Projector Films, 8 Colors Mode, 4 LED Bulbs for Baby, Nursery, Kids and Children(White)”, Retrieved May 22, 2019. Retrieved from Internet, <https://www.amazon.com/Acecharming-Projector-Rotating-Projection-Children/dp/B07K568PR1/>.
“Star Projector Night Light, Baby Projector Nuresy Lamp 360 Degree Rotating Star Moon Cover Projector Night Light for Kids Bedroom, Birthday,Baby Nursery Night Light (Pink)”, Retrieved May 22, 2019. Retrieved from Internet, <https://www.amazon.com/Projector-Rotating-Bedroom-Birthday-Nursery/dp/B07GH15W44/>.

* cited by examiner

Primary Examiner — Brian N. Vinson

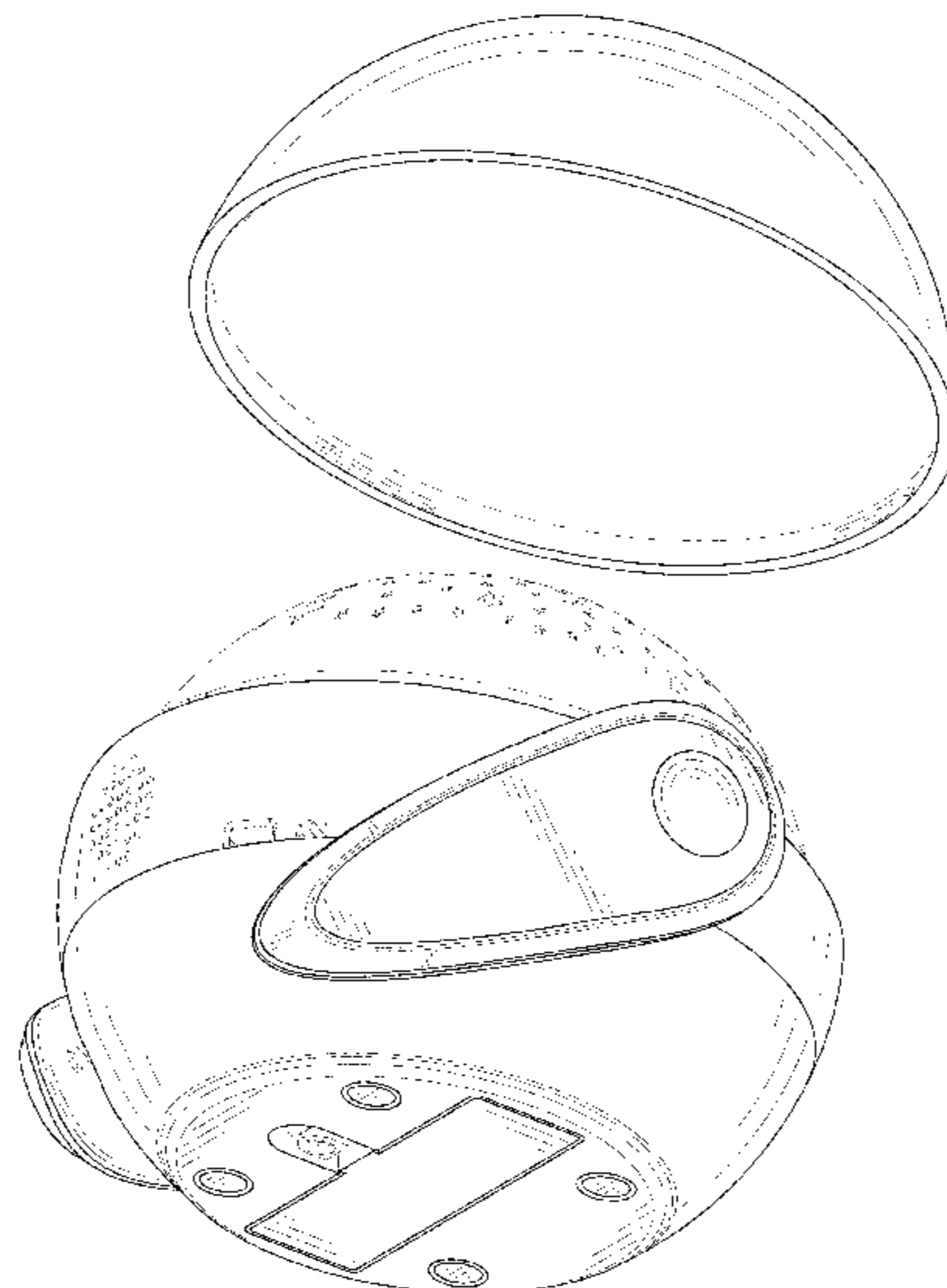
(57) **CLAIM**

The ornamental design for a star projector lamp, as shown and described.

DESCRIPTION

FIG. 1 is a perspective view of a star projector lamp showing my new design.
FIG. 2 is another perspective view thereof;
FIG. 3 is a front elevational view thereof;
FIG. 4 is a rear elevational view thereof;
FIG. 5 is a left side elevational view thereof;
FIG. 6 is a right side elevational view thereof;
FIG. 7 is a top plan view thereof;
FIG. 8 is a bottom plan view thereof;
FIG. 9 is a perspective view of the star projector lamp where a cover is separated from a lamp body; and,
FIG. 10 is another perspective view of the star projector lamp where the cover is separated from the lamp body.
The broken lines in the drawings depict portions of the star projector lamp that form no part of the claimed design.

1 Claim, 10 Drawing Sheets



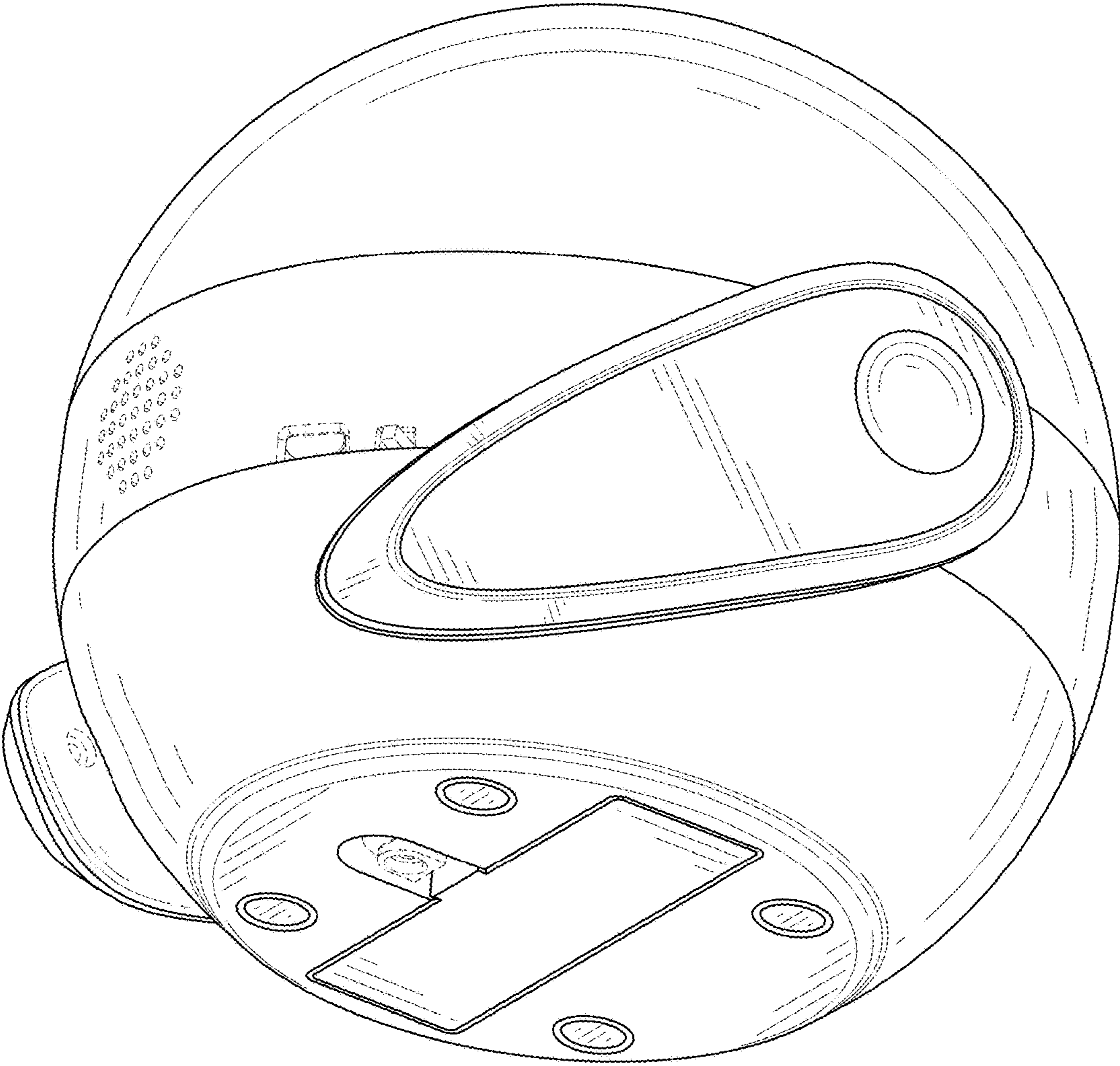


FIG. 1

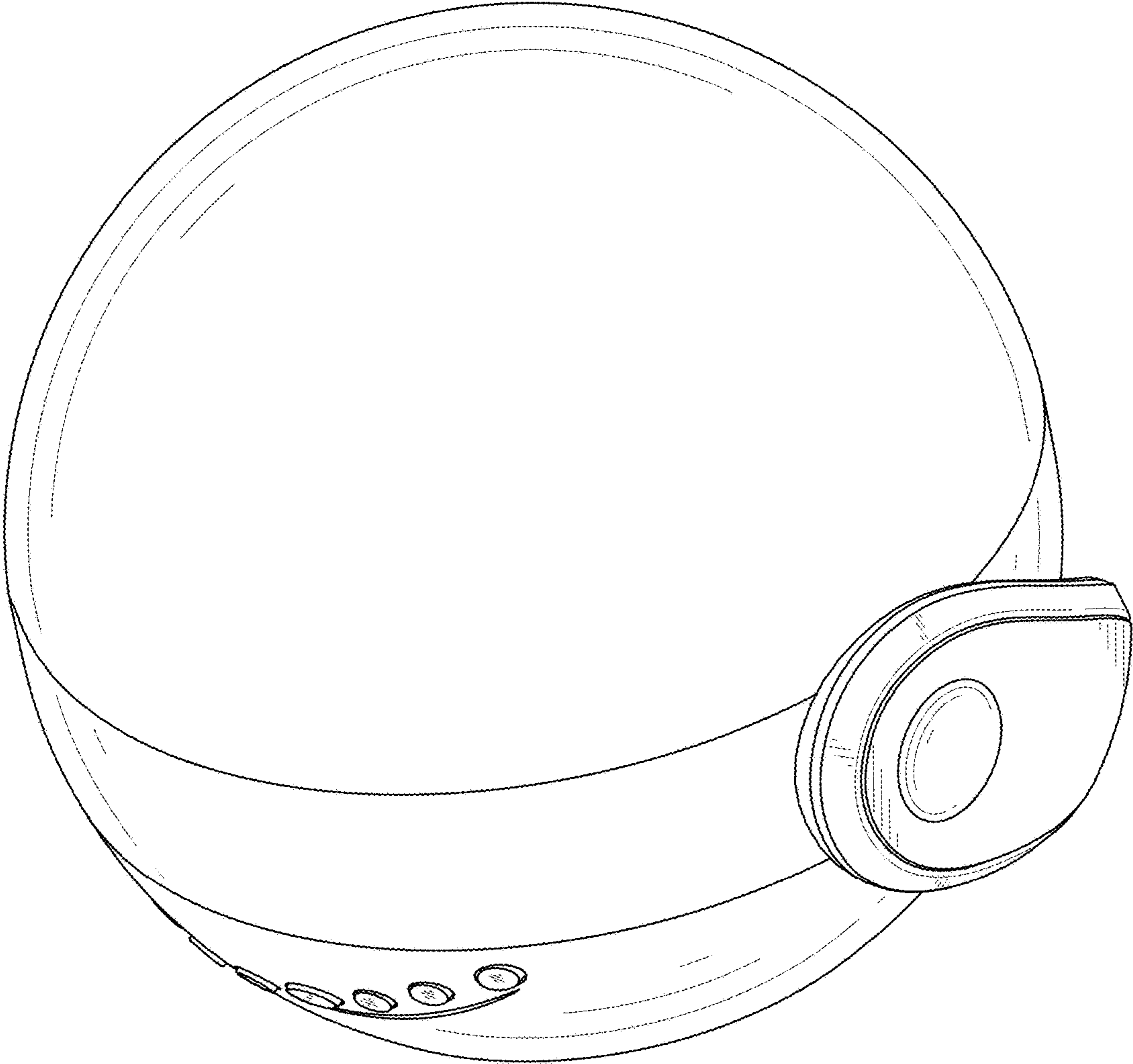


FIG. 2

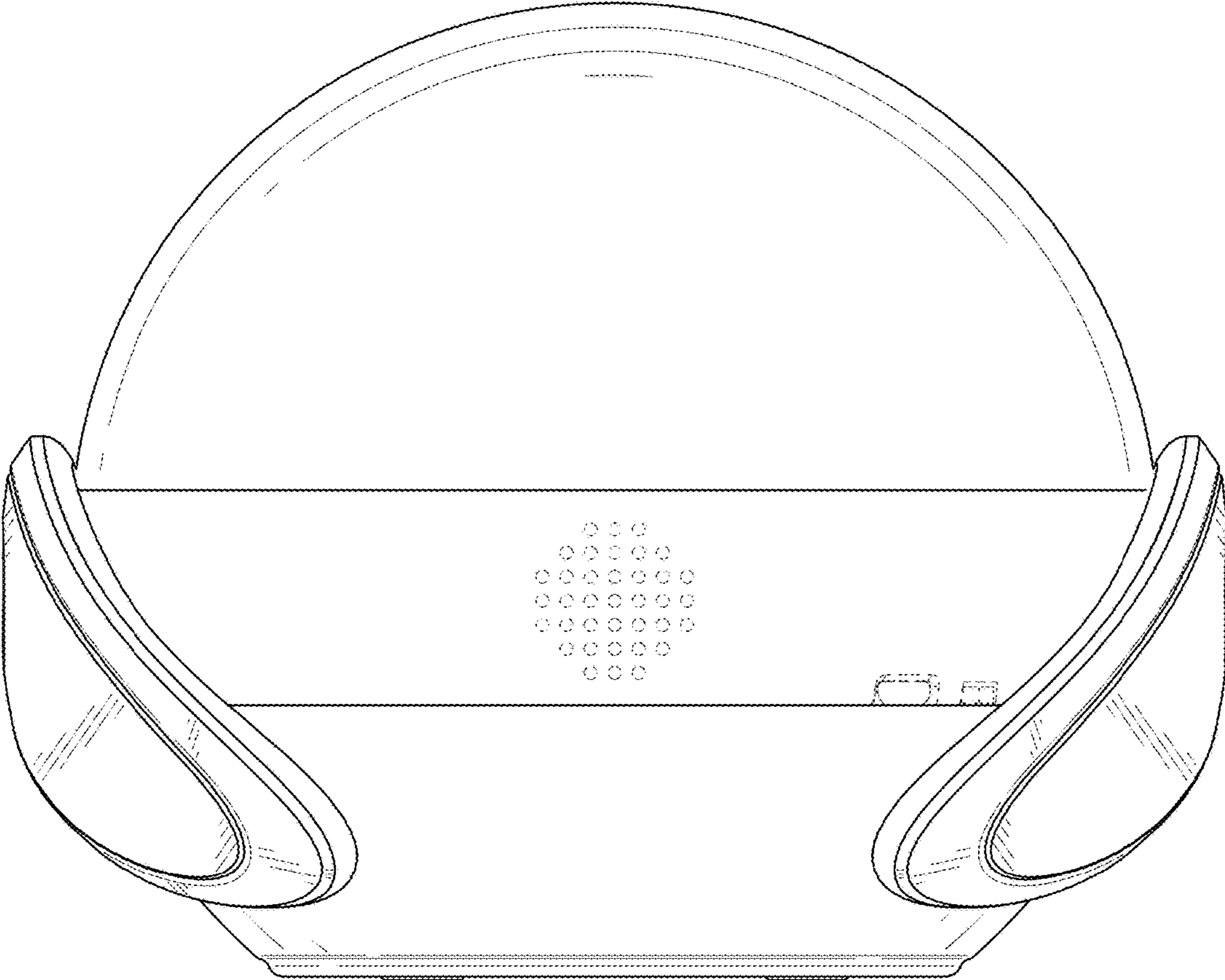


FIG. 3

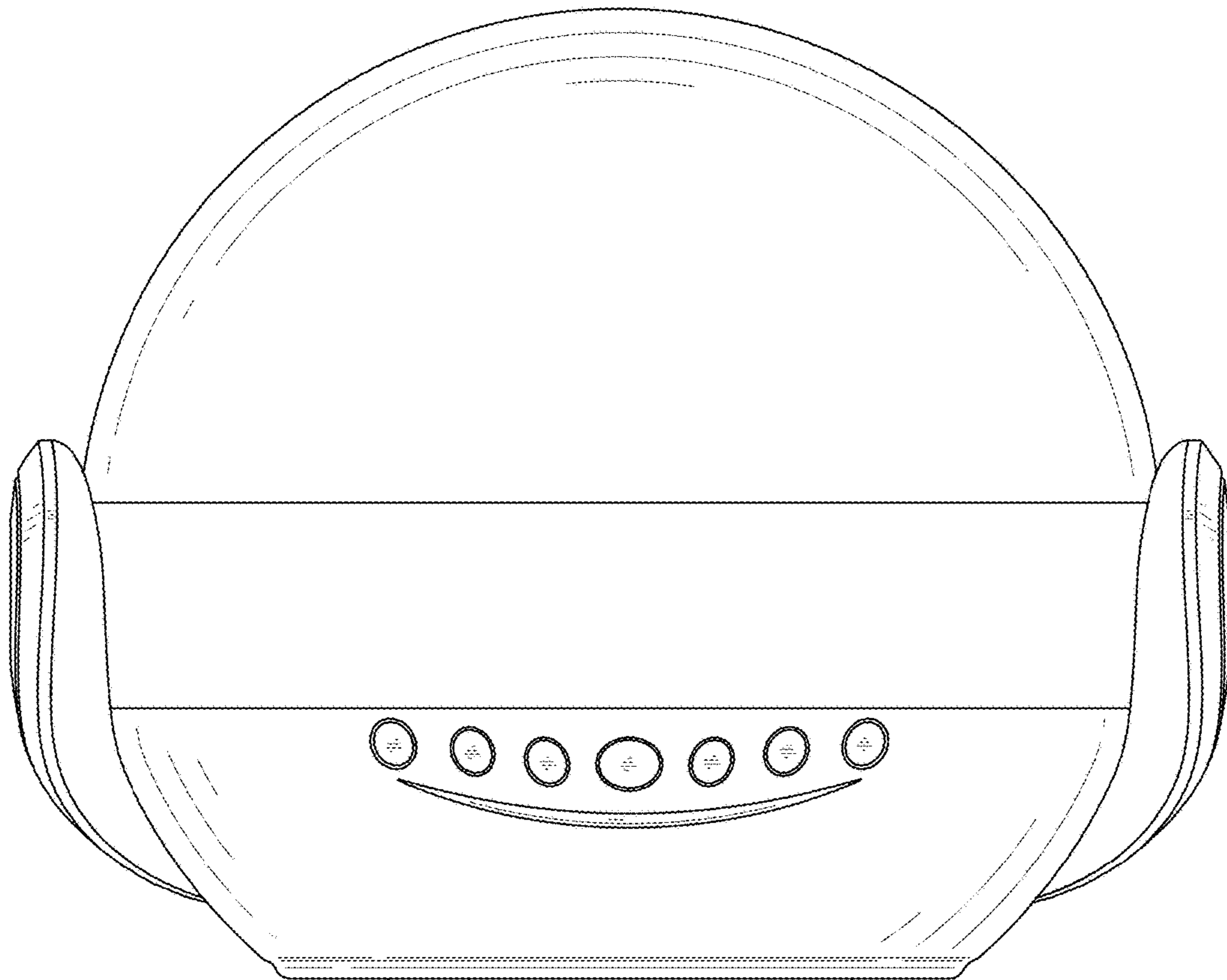


FIG. 4

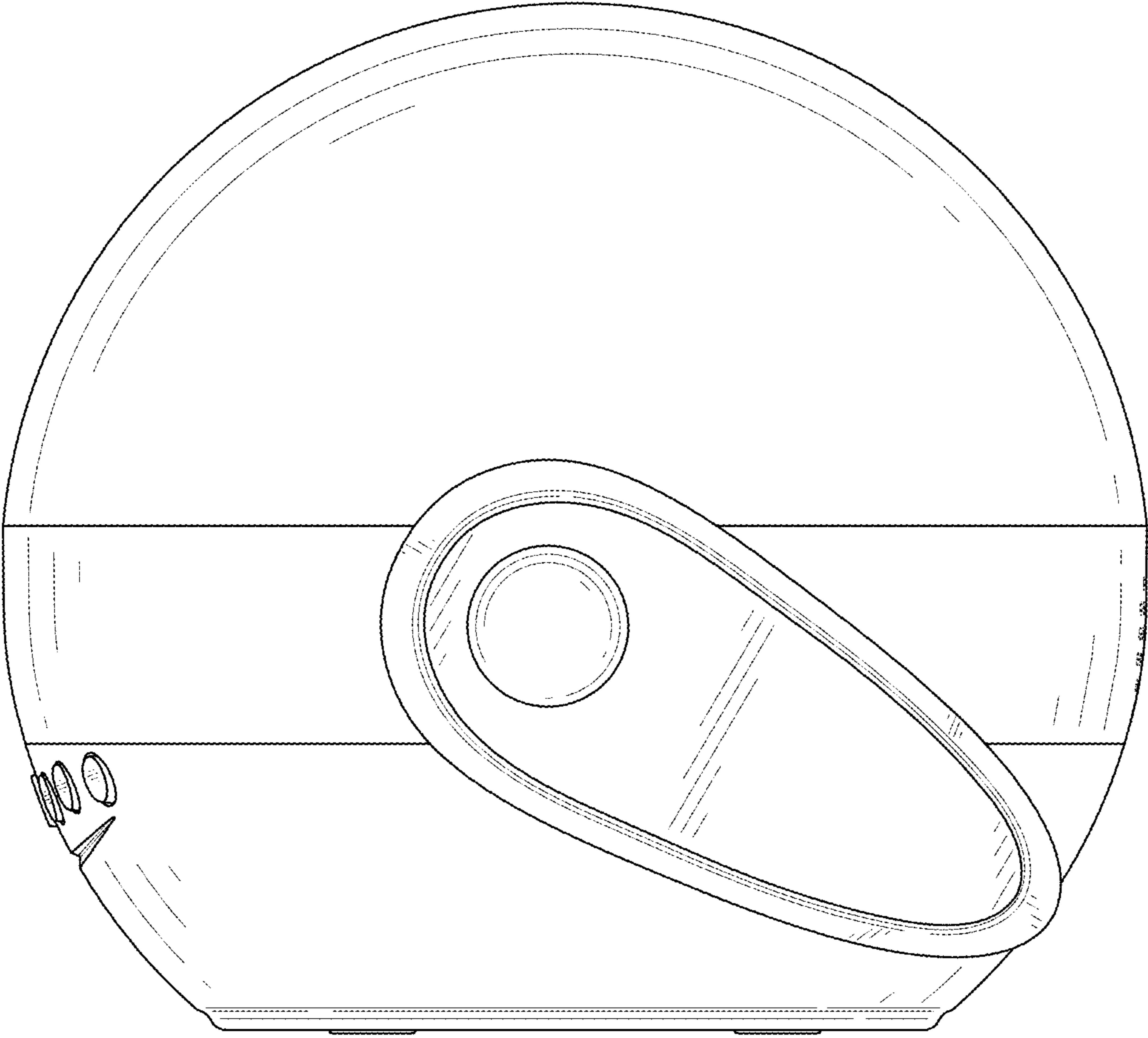


FIG. 5

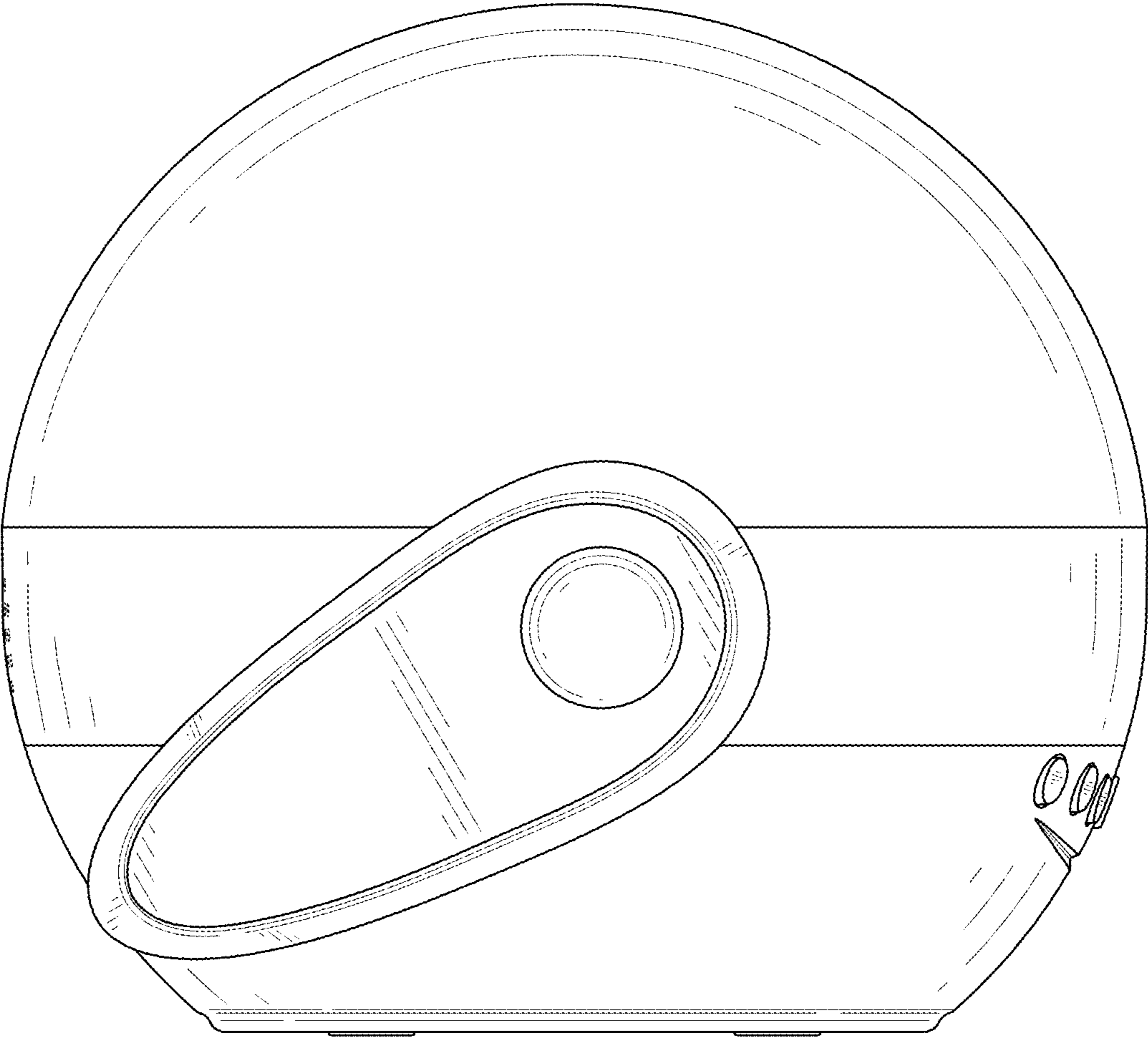


FIG. 6

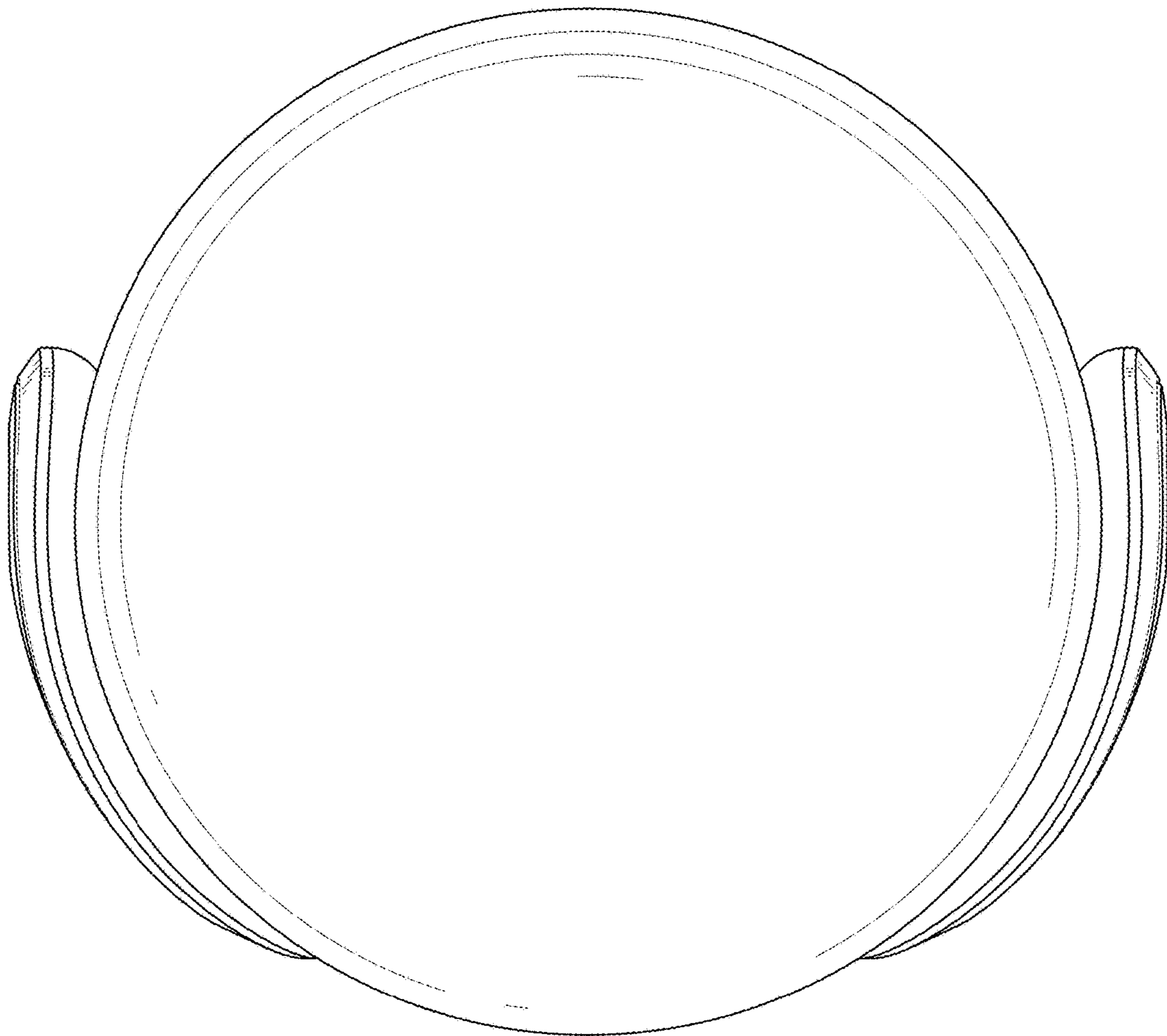


FIG. 7

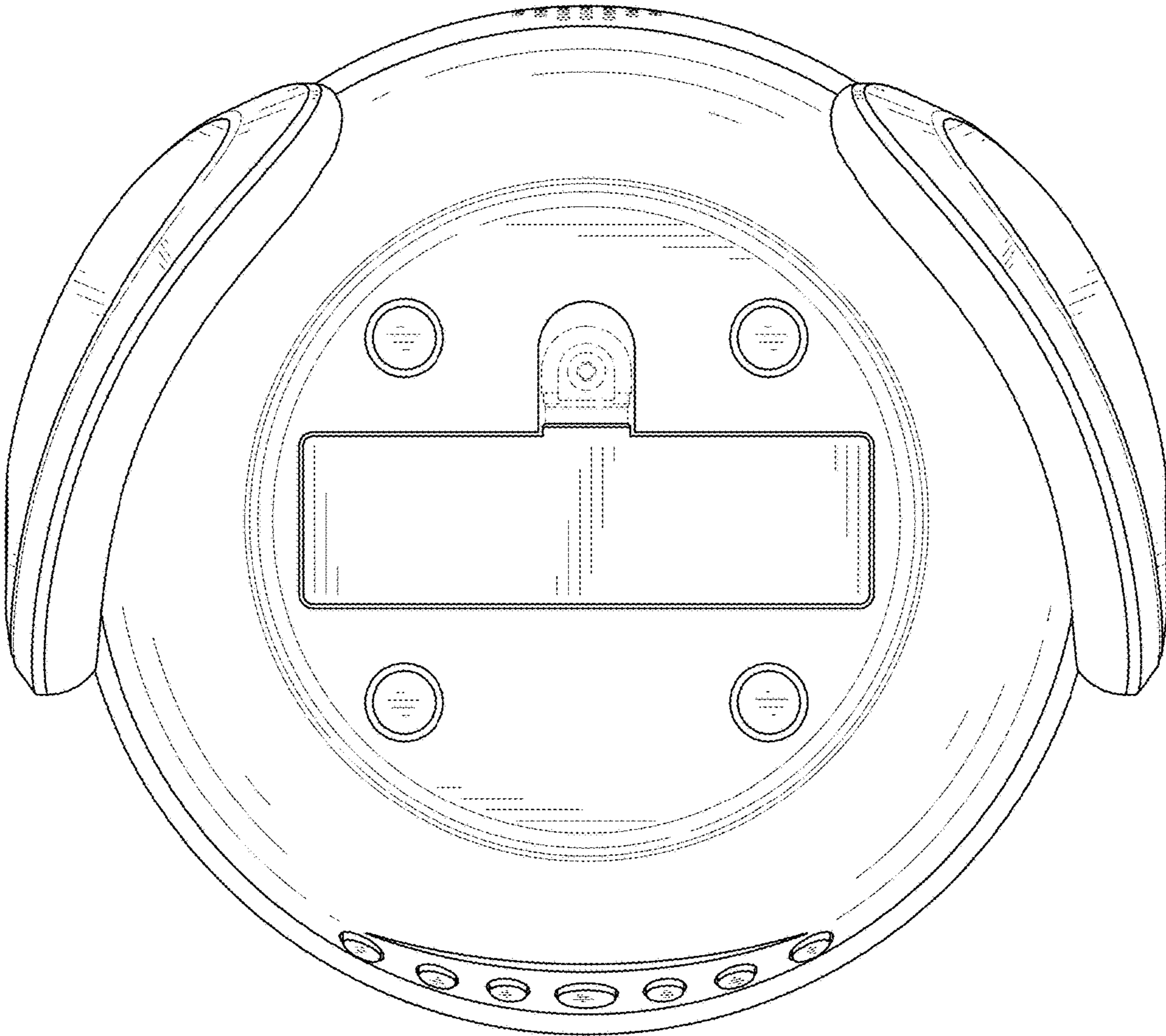


FIG. 8

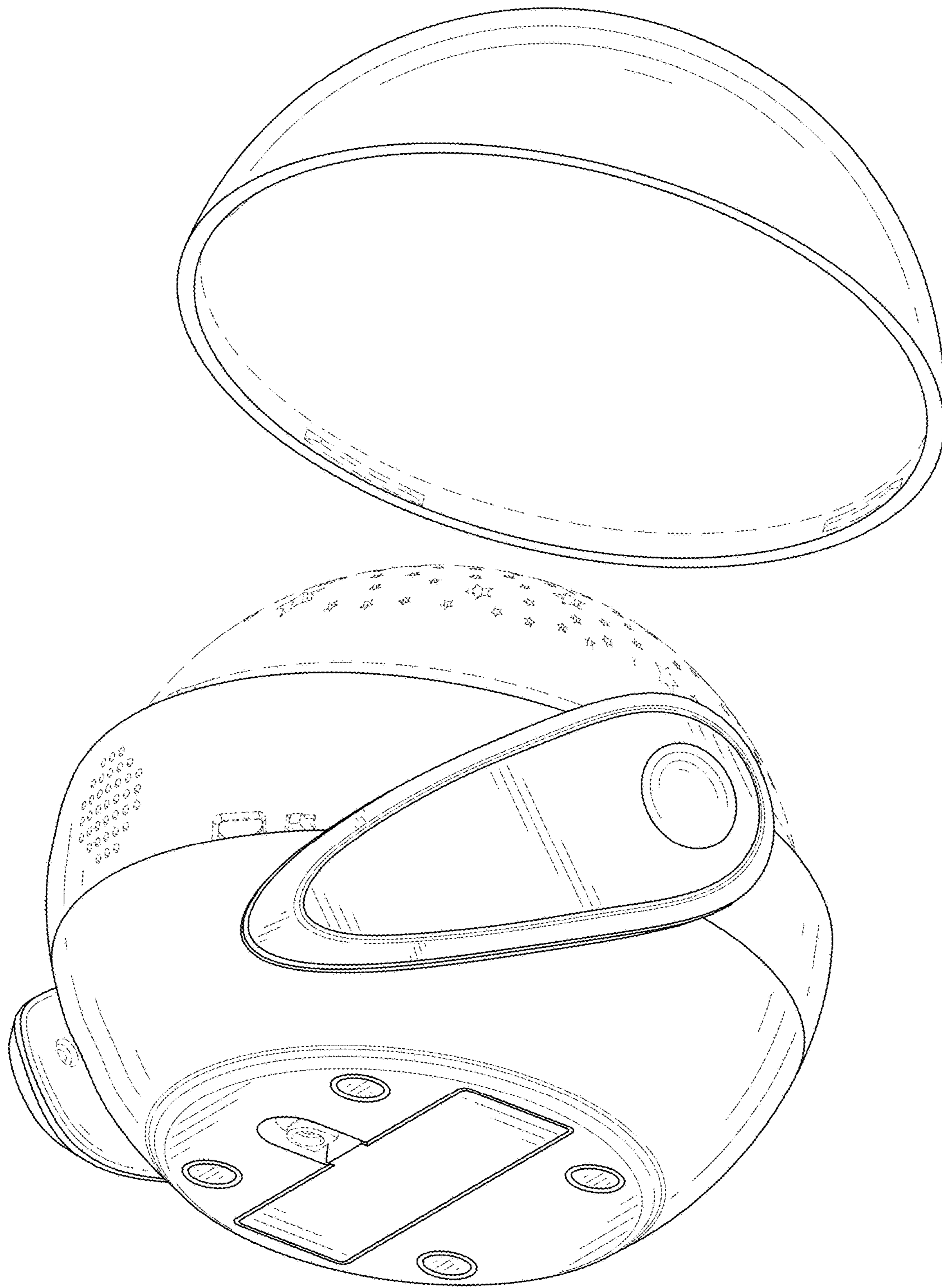


FIG. 9

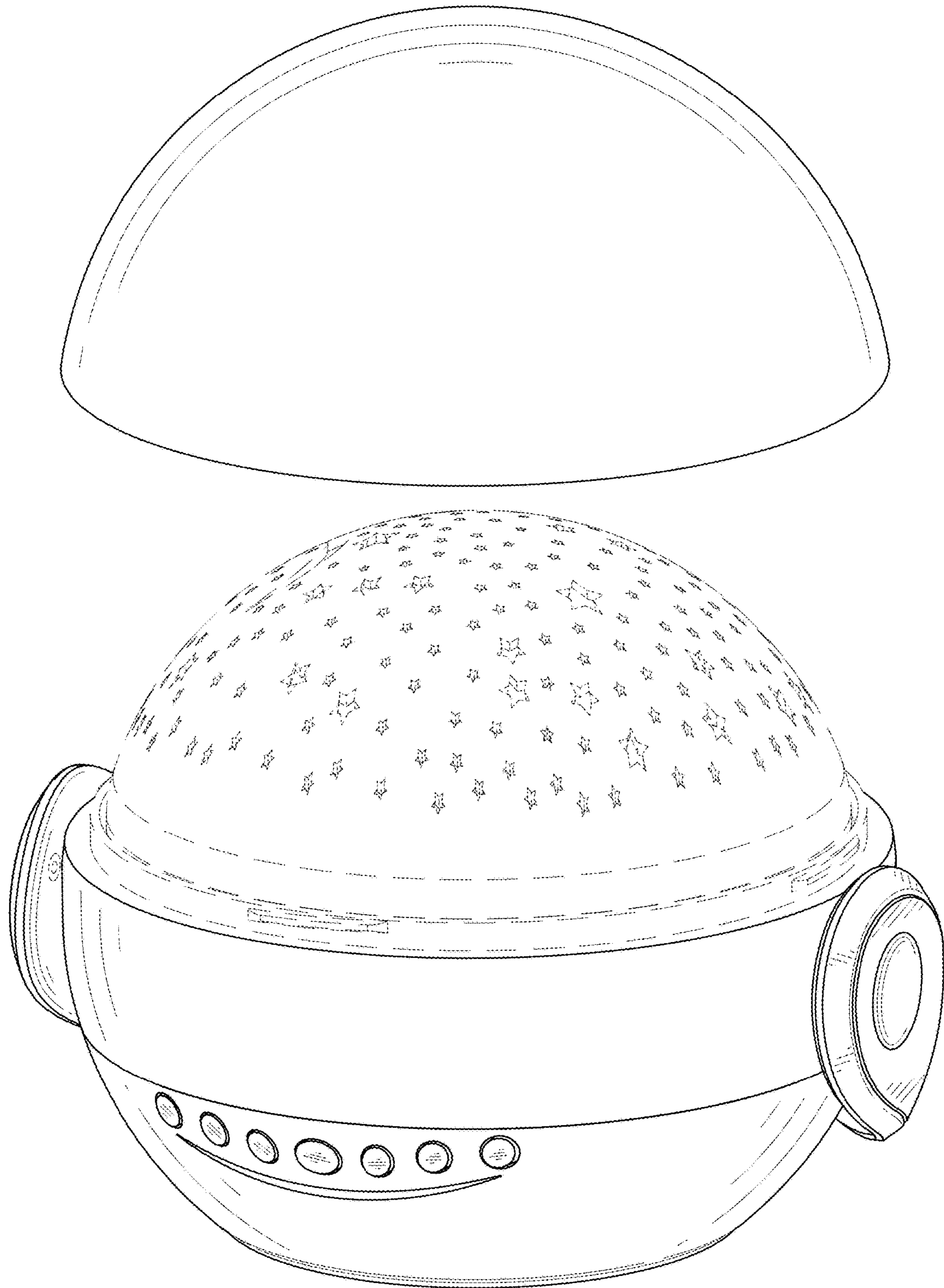


FIG. 10