



US00D858855S

(12) **United States Design Patent**
Behnke et al.

(10) **Patent No.:** **US D858,855 S**

(45) **Date of Patent:** **** Sep. 3, 2019**

(54) **LIGHTING FIXTURE**

D443,942 S 6/2001 Dye et al.

D445,527 S 7/2001 Nicholas

D480,828 S 10/2003 Block

(Continued)

(71) Applicant: **USAI, LLC**, New Windsor, NY (US)

(72) Inventors: **Jaclyn Behnke**, Highland, NY (US);
Frank Cogliano, Pomona, NY (US)

(73) Assignee: **USAI, LLC**, New Windsor, NY (US)

(**) Term: **15 Years**

(21) Appl. No.: **29/693,760**

(22) Filed: **Jun. 5, 2019**

OTHER PUBLICATIONS

USAI, LLC, BeveLED Block instruction sheet, 2 pages. (Jul. 1, 2016).

(Continued)

Primary Examiner — Clare E Hefflin

(74) *Attorney, Agent, or Firm* — St. Onge Steward
Johnston & Reens LLC

Related U.S. Application Data

(60) Division of application No. 29/675,301, filed on Dec. 31, 2018, which is a continuation of application No. 15/972,881, filed on May 7, 2018.

(51) **LOC (12) Cl.** **26-03**

(52) **U.S. Cl.**
USPC **D26/89**

(58) **Field of Classification Search**
USPC D26/72, 74, 80, 85, 89, 118, 128, 141,
D26/142

CPC ... F21V 21/02; F21V 7/04; F21V 7/05; F21V
1/12; F21S 8/03

See application file for complete search history.

(57) **CLAIM**

The ornamental design for a fixture, as shown and described.

DESCRIPTION

FIG. 1 is a perspective view, from the bottom, of a first embodiment of a fixture in accordance with the new design; FIG. 2 is a front view thereof, with the rear view being a mirror image;

FIG. 3 is a left side view thereof;

FIG. 4 is a right side view thereof;

FIG. 5 is a bottom view thereof, with the top forming no part of the claimed design;

FIG. 6 is a perspective view, from the bottom, of a second embodiment of a lighting fixture in accordance with the new design;

FIG. 7 is a front view thereof, with the rear view being identical;

FIG. 8 is a left side view thereof, with the right side view being identical; and,

FIG. 9 is a bottom view thereof, with the top forming no part of the claimed design.

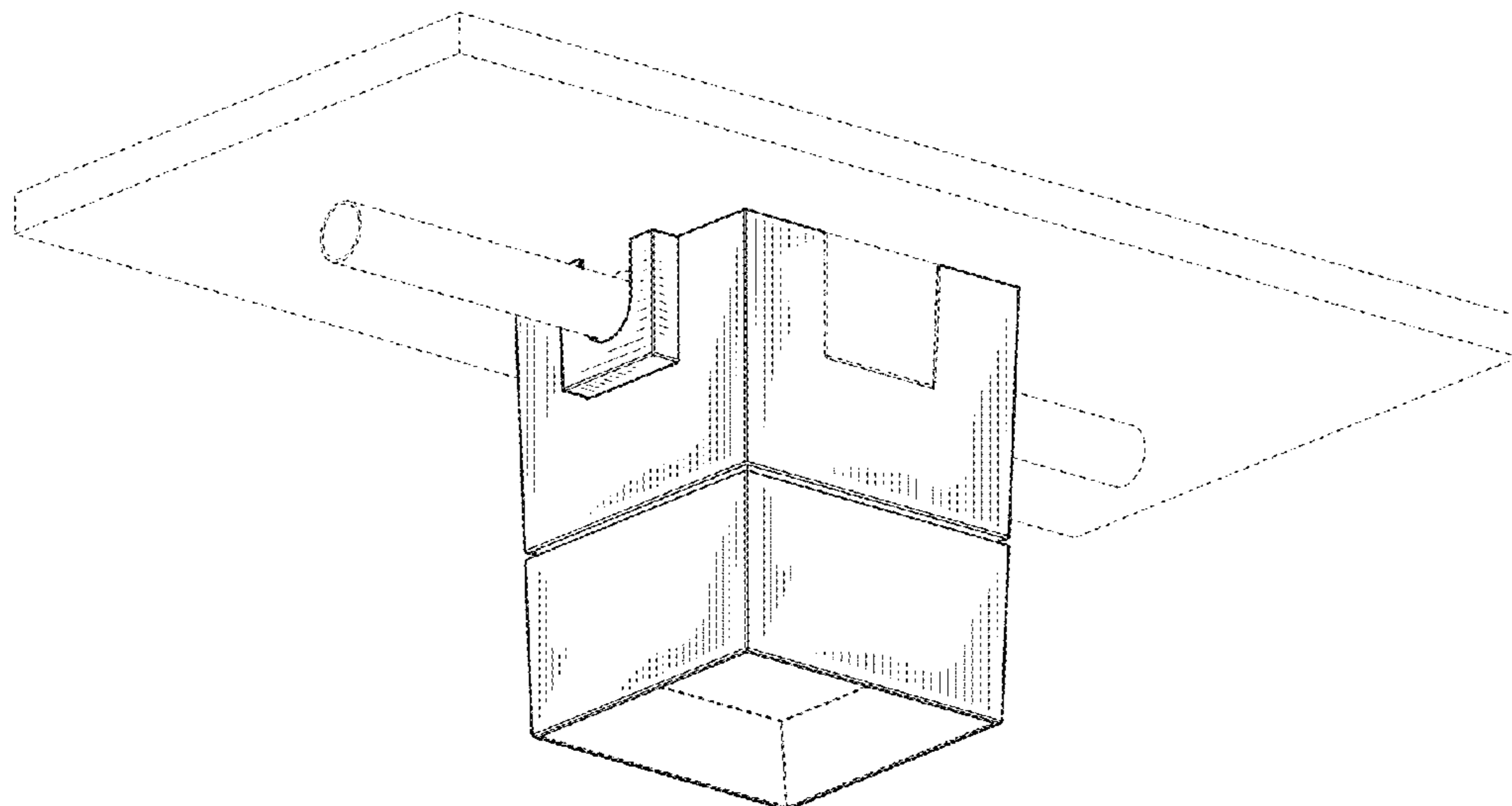
The broken lines shown in FIGS. 1-9 are for the purpose of illustrating portions of the lighting module that form no part of the claimed design.

(56) **References Cited**

U.S. PATENT DOCUMENTS

825,445 A	7/1906	Benjamin
2,034,556 A	3/1936	Biller
D147,093 S	7/1947	Vorsanger
D298,173 S	10/1988	Oosterheerd
D339,651 S	9/1993	Vieyra
D345,790 S	4/1994	Caldwell
D382,663 S	8/1997	Barry
D399,328 S	10/1998	Compton
D400,287 S	10/1998	Littman et al.

1 Claim, 8 Drawing Sheets



(56)

References Cited

U.S. PATENT DOCUMENTS

D547,484 S 7/2007 Guercio
 D557,438 S 12/2007 Hsu
 D565,230 S 3/2008 Hetfield et al.
 D604,445 S 11/2009 Ko et al.
 D637,339 S 5/2011 Hasan et al.
 D637,340 S 5/2011 Hasan et al.
 D707,383 S 6/2014 Carraher
 D722,402 S 2/2015 Orozco
 D740,992 S 10/2015 Orozco
 D747,029 S 1/2016 Reynolds
 9,435,353 B1 9/2016 Gretz
 9,466,962 B1 10/2016 Gretz
 D785,227 S * 4/2017 Guzzini D26/74
 D791,384 S 7/2017 Park
 D799,099 S * 10/2017 Gismondi D26/89
 D806,304 S 12/2017 Amato et al.
 D813,436 S 3/2018 Verelst
 D813,438 S 3/2018 Vyvey
 D818,625 S 5/2018 Hohaus et al.
 D821,627 S 6/2018 Ko

D823,522 S * 7/2018 Gambrel D26/89
 D829,953 S * 10/2018 Botti D26/74
 D829,959 S 10/2018 Amato et al.
 D834,235 S * 11/2018 Gambrel D26/89
 D848,047 S * 5/2019 Santoro D26/74
 2016/0319988 A1 11/2016 Mathews et al.
 2017/0268736 A1 9/2017 Harpenau et al.
 2018/0087750 A1 3/2018 Boulanger et al.
 2018/0128446 A1 5/2018 Dietz
 2018/0328573 A1 11/2018 Behnke et al.

OTHER PUBLICATIONS

Chinese Gold Supplier IP65 Surface Mounted Square Downlight LED spot light dimmable. USPTO found at alibaba.com visited Mar. 18, 2019. (Year: 2019).
 COB Square mounted LED downlight No. 425557733. USPTO found at dhgate.com visited Mar. 18, 2019. (Year: 2019).
 Surface Mount Square 1-Light LED Flush Mount fixture by Bruck Lighting. SKU: BBB3018. USPTO found at wayfair.com as early as Feb. 21, 2019. (Year: 2019).

* cited by examiner

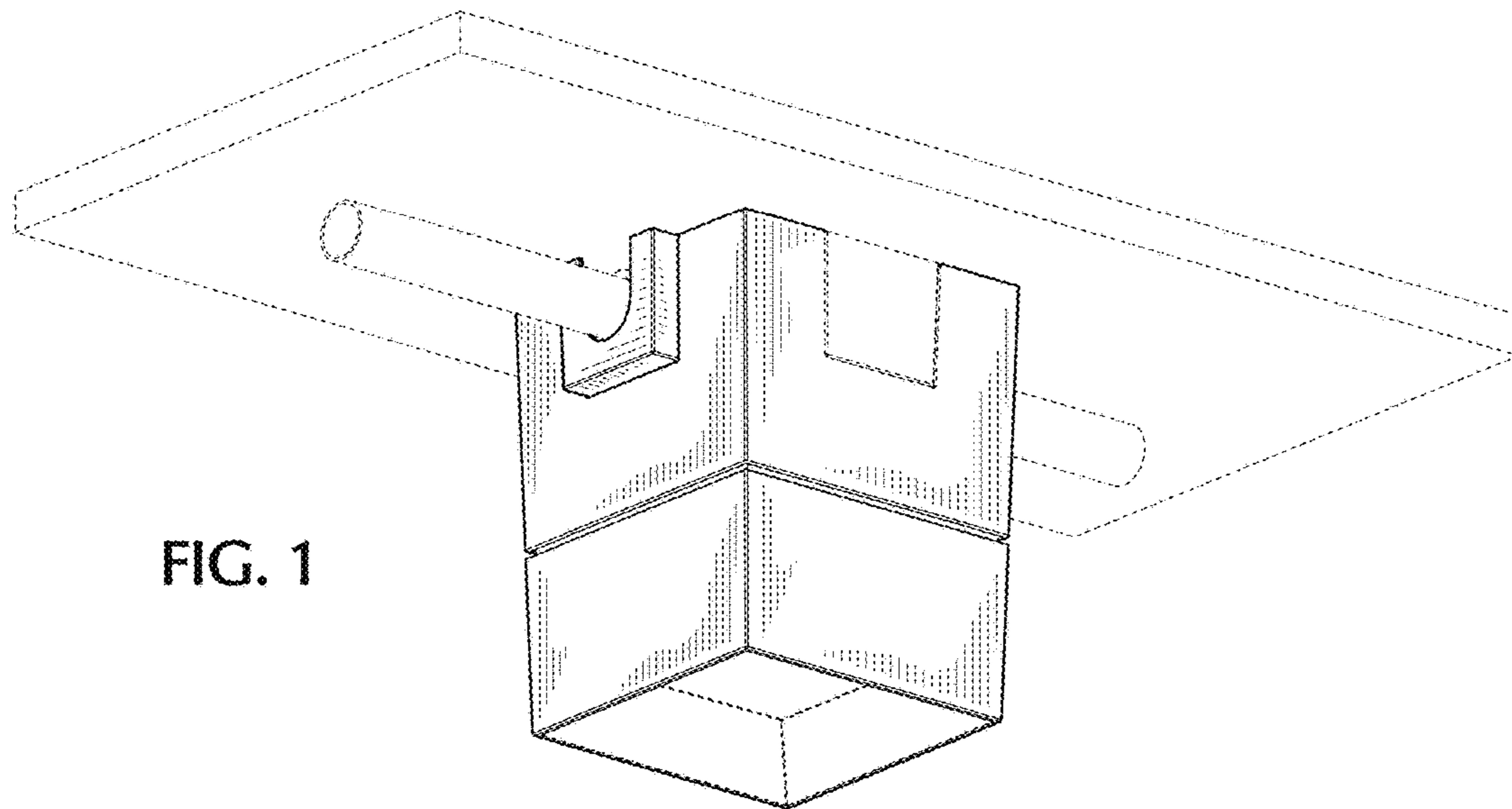


FIG. 1

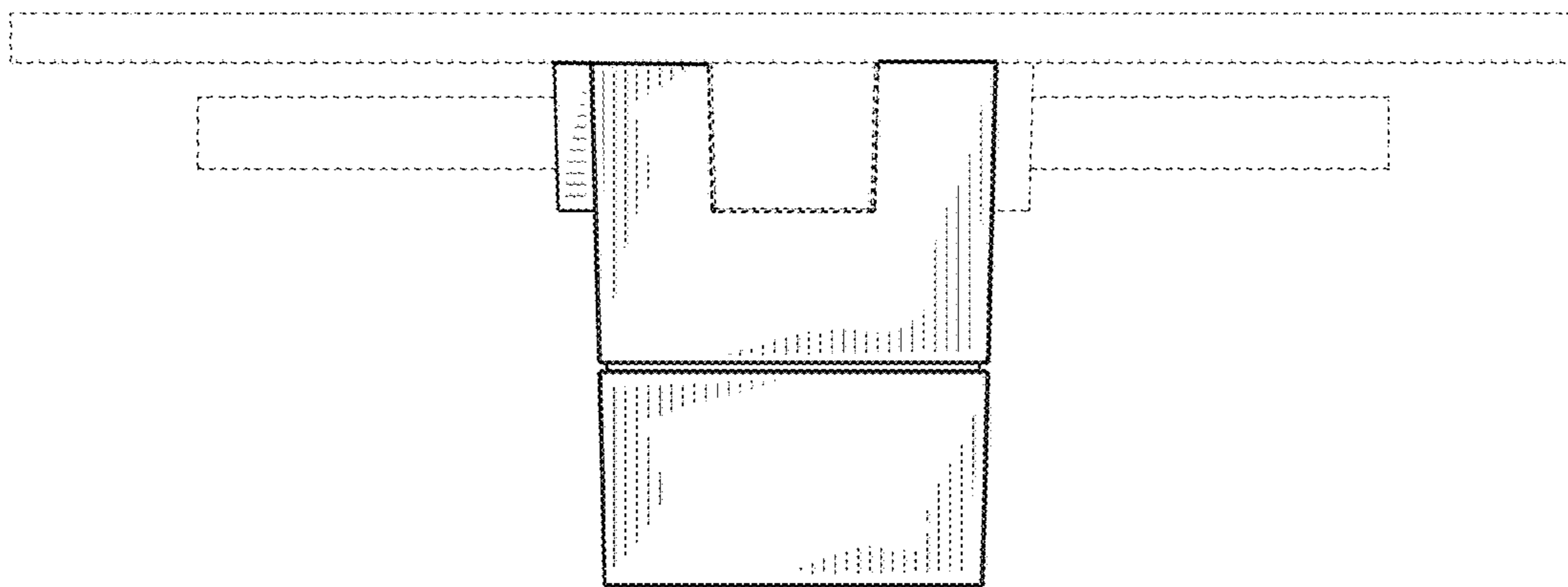


FIG. 2

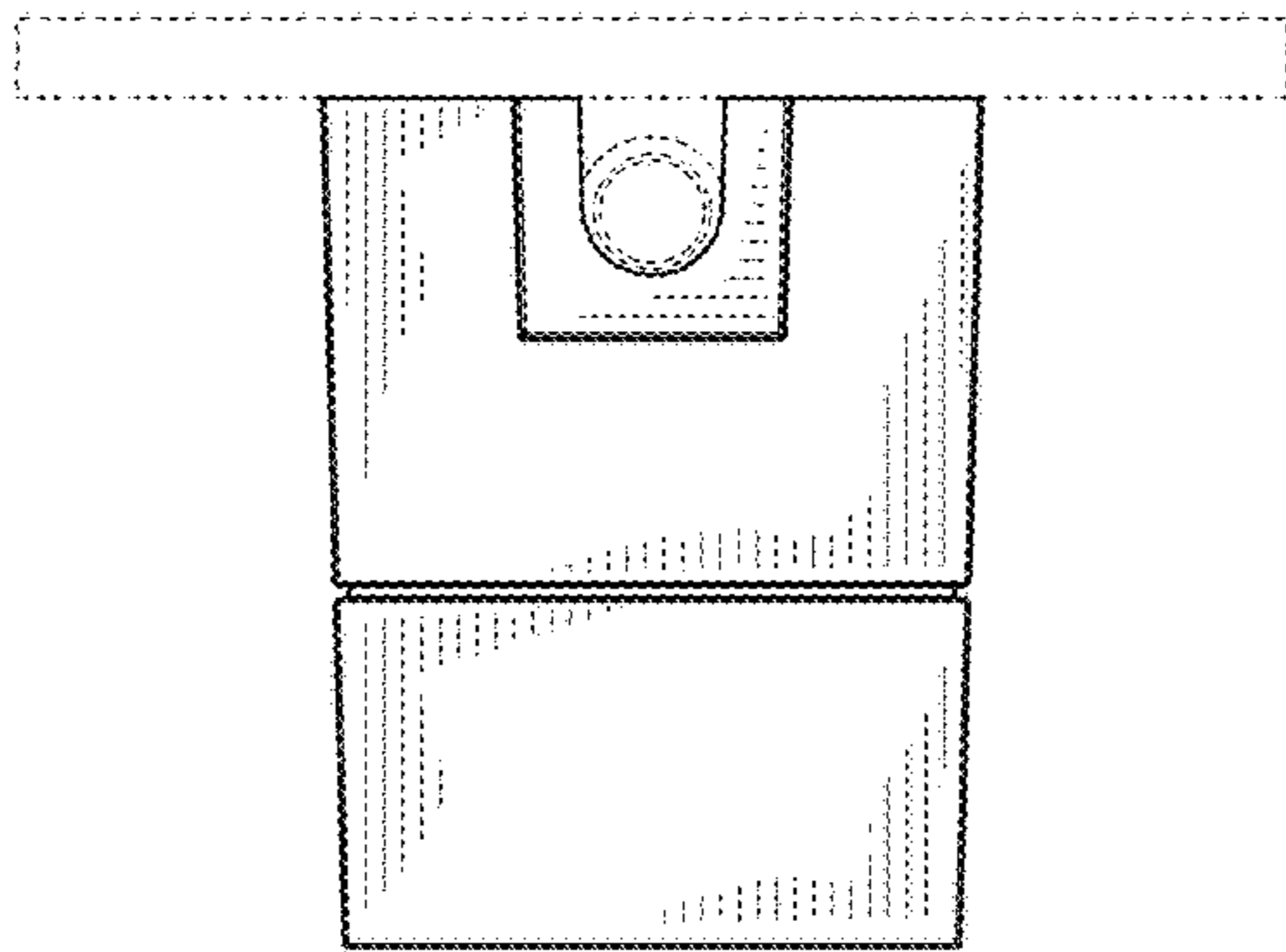


FIG. 3

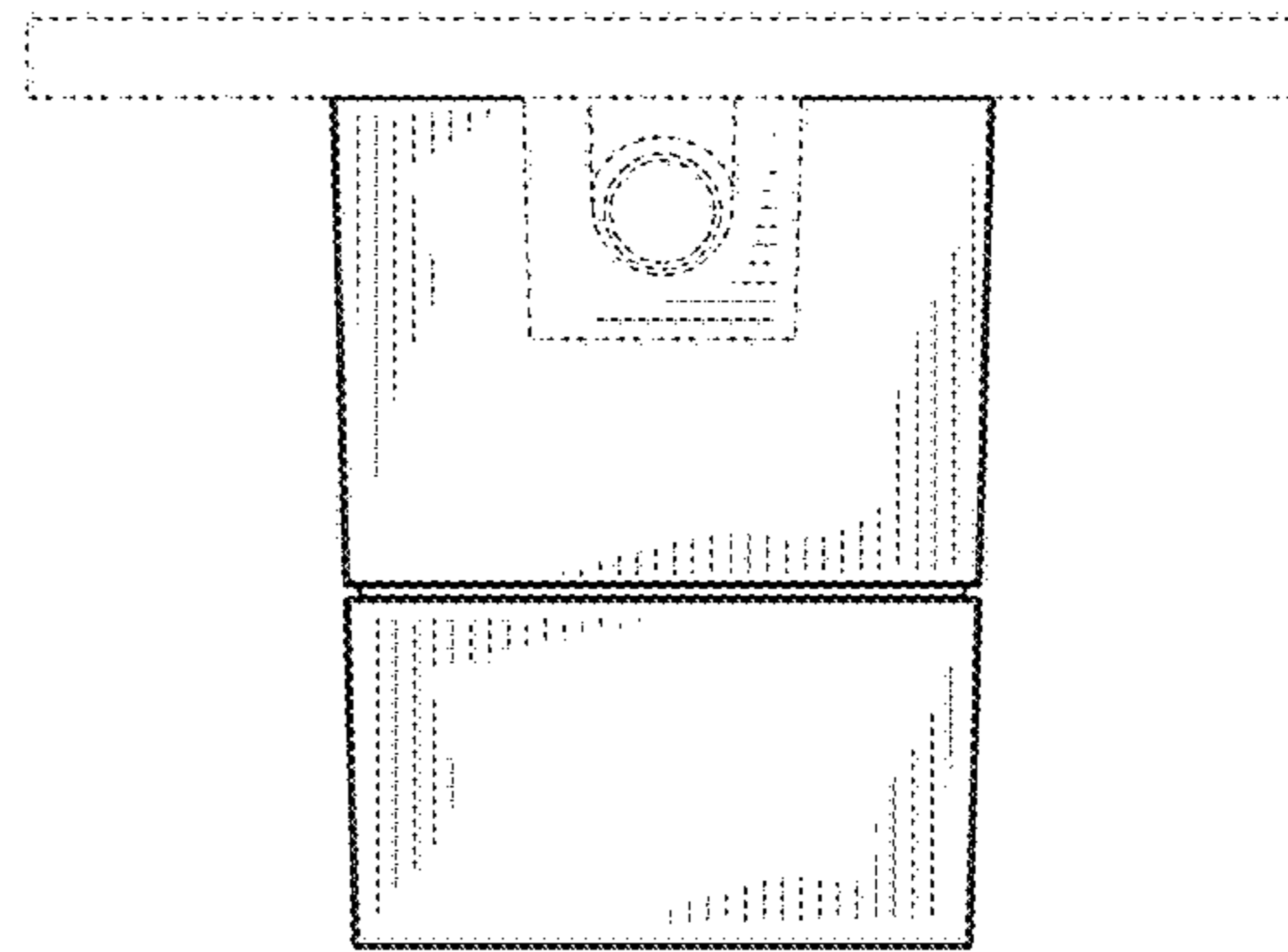


FIG. 4

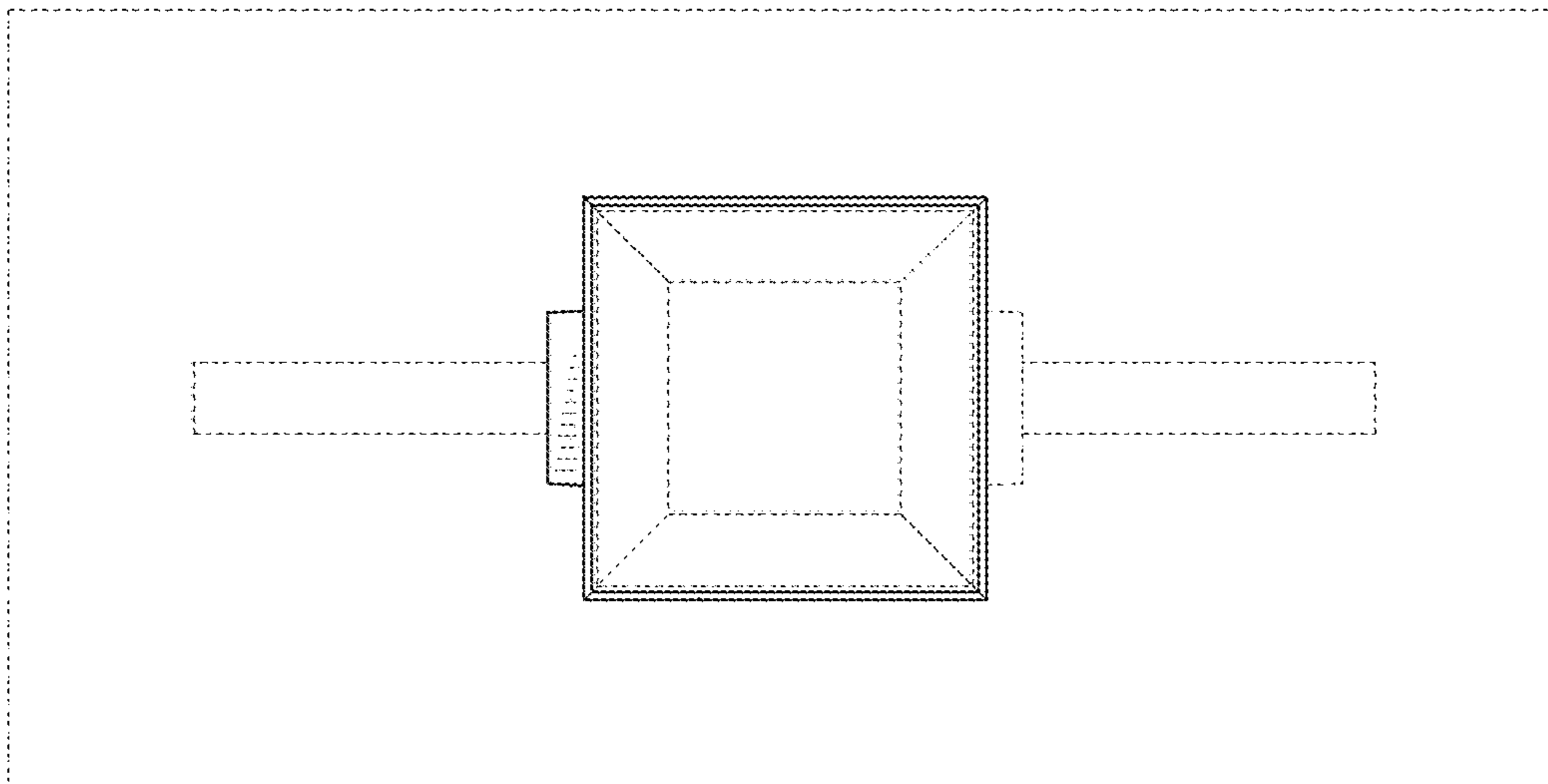


FIG. 5

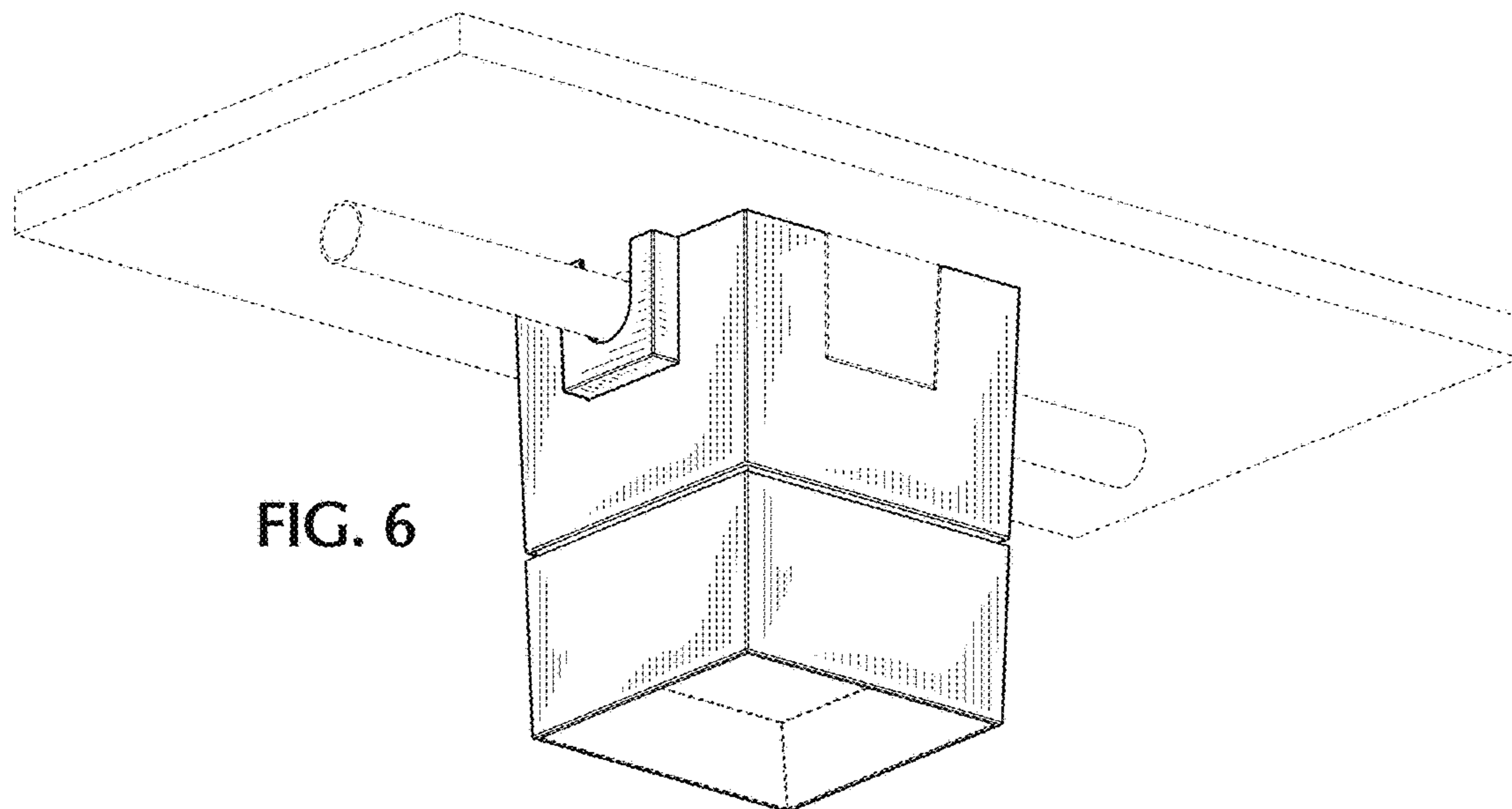


FIG. 6

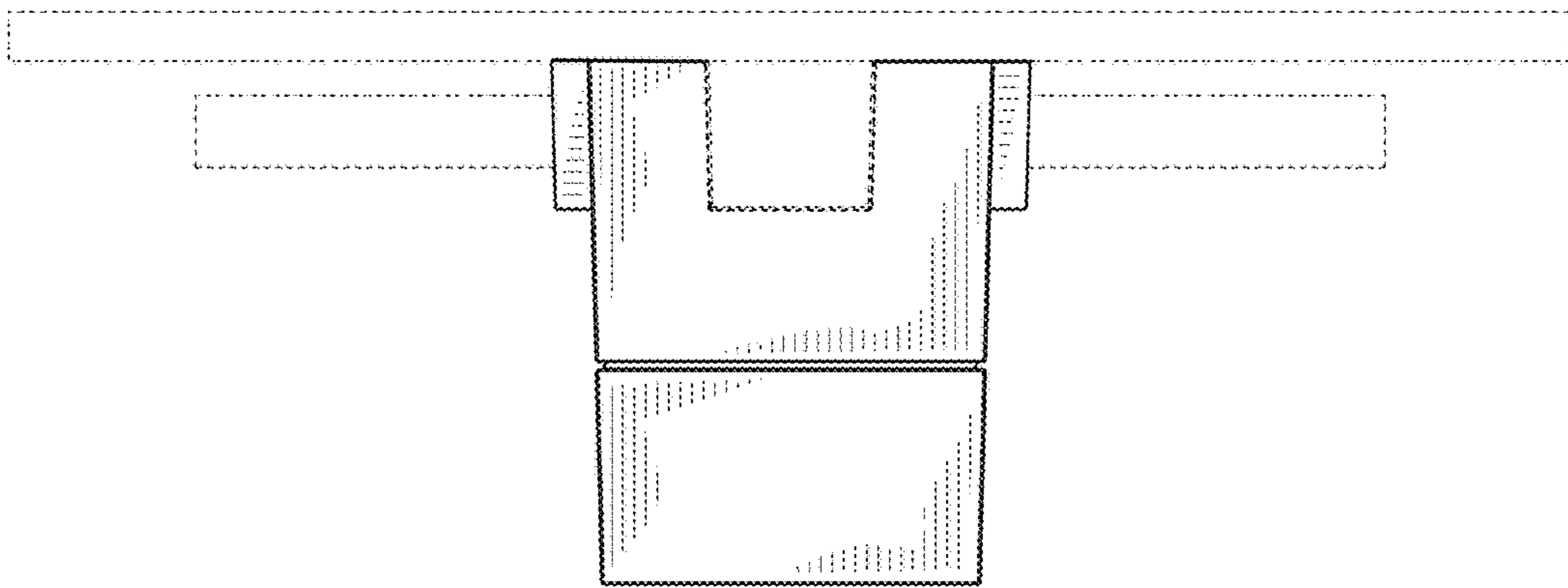


FIG. 7

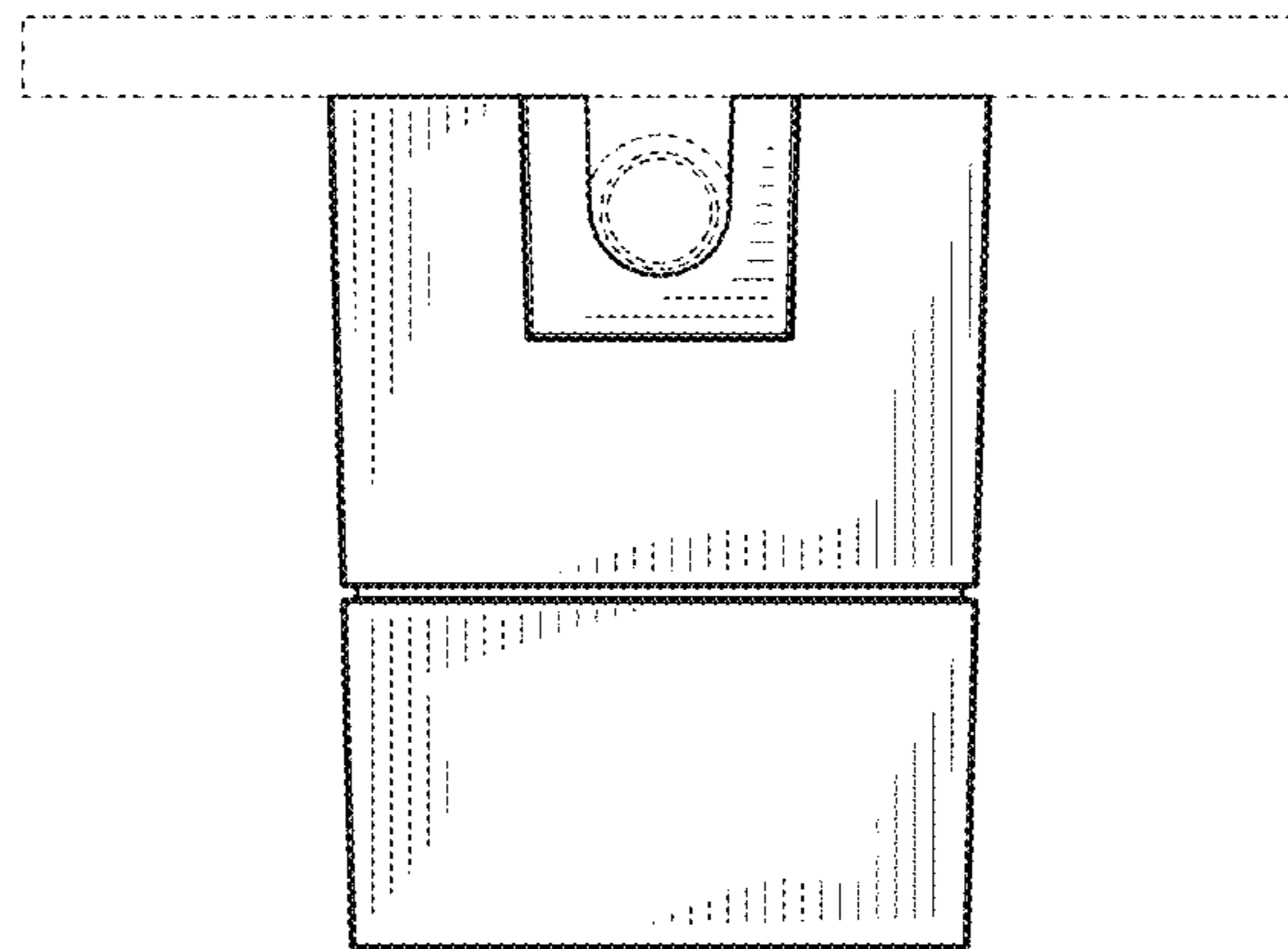


FIG. 8

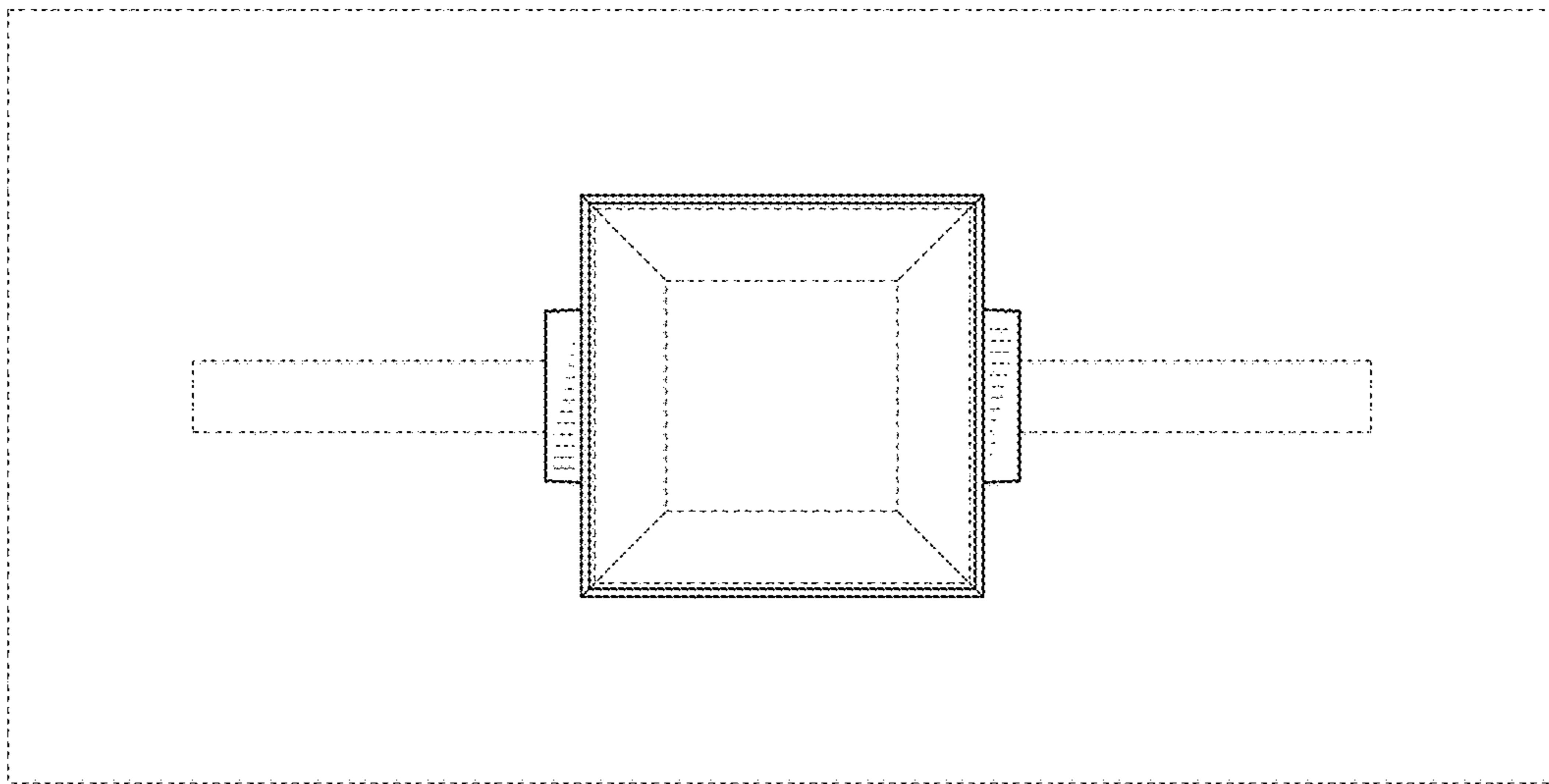


FIG. 9