



US00D858854S

(12) **United States Design Patent** (10) **Patent No.:** **US D858,854 S**
Sonneman (45) **Date of Patent:** **** Sep. 3, 2019**

(54) **LIGHT FIXTURE**

(71) Applicant: **Contemporary Visions, LLC**,
Larchmont, NY (US)

(72) Inventor: **Robert A. Sonneman**, Mamaroneck,
NY (US)

(73) Assignee: **Contemporary Visions, LLC**,
Larchmont, NY (US)

(**) Term: **15 Years**

(21) Appl. No.: **29/673,147**

(22) Filed: **Dec. 12, 2018**

(51) **LOC (12) Cl.** **26-03**

(52) **U.S. Cl.**
USPC **D26/88**

(58) **Field of Classification Search**
USPC D26/72, 76, 78, 85, 88, 90, 91, 118
CPC F21S 8/03; F21S 8/04; F21S 8/043; F21S
8/046; F21S 8/06; F21S 8/063; F21S
8/065; F21S 8/068
See application file for complete search history.

(56) **References Cited**

U.S. PATENT DOCUMENTS

D110,198 S *	6/1938	Stewart	D26/76
D113,125 S *	1/1939	Stewart	D26/76
D122,709 S *	9/1940	Korengold	D26/76
D164,508 S *	9/1951	McCann	D26/78
D173,404 S *	11/1954	Axelrod	D26/72
D240,549 S *	7/1976	Eftekhar	D26/78
D322,140 S *	12/1991	Dacanay	D26/85
D455,516 S *	4/2002	Casciani	D26/76
D464,161 S *	10/2002	Nourishad	D26/78

D510,639 S *	10/2005	Brady	D26/118
D549,383 S *	8/2007	Duggan	D26/85
D579,601 S *	10/2008	Montalbano	D26/85
D591,444 S *	4/2009	Beno	D26/76

* cited by examiner

Primary Examiner — Clare E Heflin

(74) *Attorney, Agent, or Firm* — Gottlieb, Rackman &
Reisman, P.C.

(57) **CLAIM**

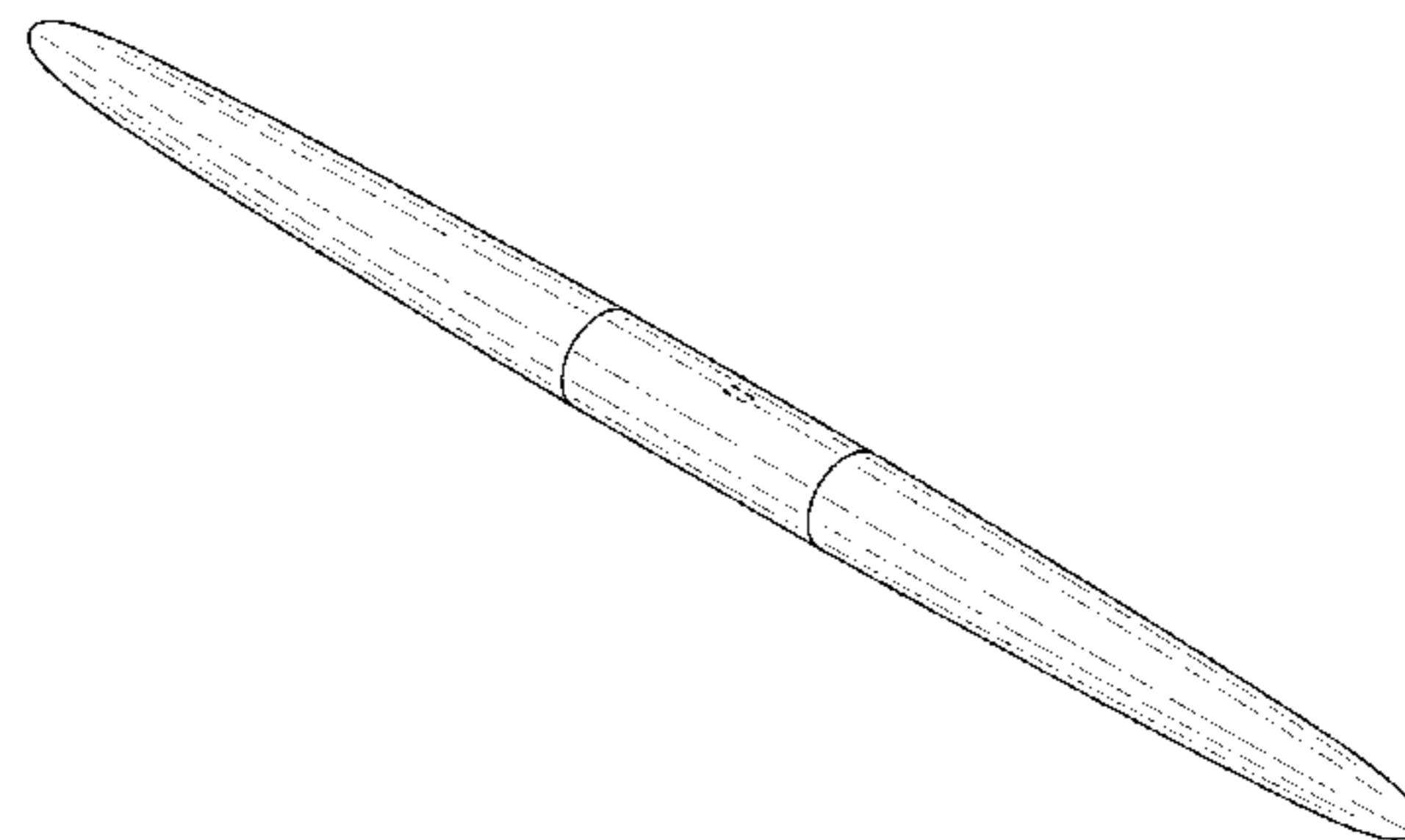
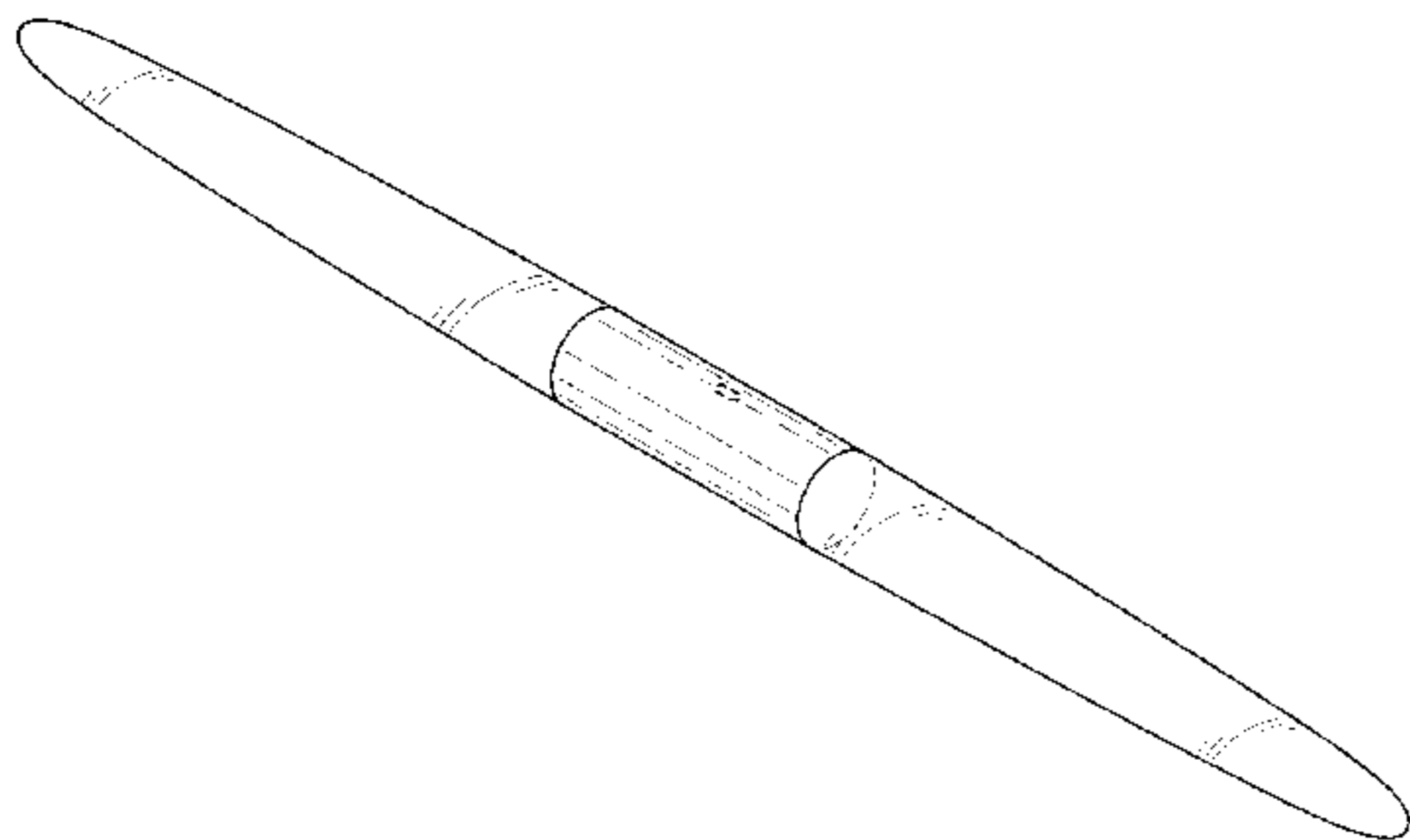
The ornamental design for a light fixture, as shown and described.

DESCRIPTION

FIG. 1 is a perspective view of a first embodiment of a light fixture showing my new design;
FIG. 2 is a first side elevational view of FIG. 1;
FIG. 3 is a second side elevational view of FIG. 1;
FIG. 4 is a third side elevational view of FIG. 1;
FIG. 5 is a fourth side elevational view of FIG. 1;
FIG. 6 is a top plan view of FIG. 1;
FIG. 7 is a bottom plan view of FIG. 1;
FIG. 8 is a perspective view of a second embodiment of a light fixture showing my new design;
FIG. 9 is a first side elevational view of FIG. 8;
FIG. 10 is a second side elevational view of FIG. 8;
FIG. 11 is a third side elevational view of FIG. 8;
FIG. 12 is a fourth side elevational view of FIG. 8;
FIG. 13 is a top plan view of FIG. 8; and,
FIG. 14 is a bottom plan view of FIG. 8.

The broken lines shown in the drawings are included for the purpose of illustrating elements of the light fixture that is configured to be hung from a surface and form no part of the claimed design.

1 Claim, 8 Drawing Sheets



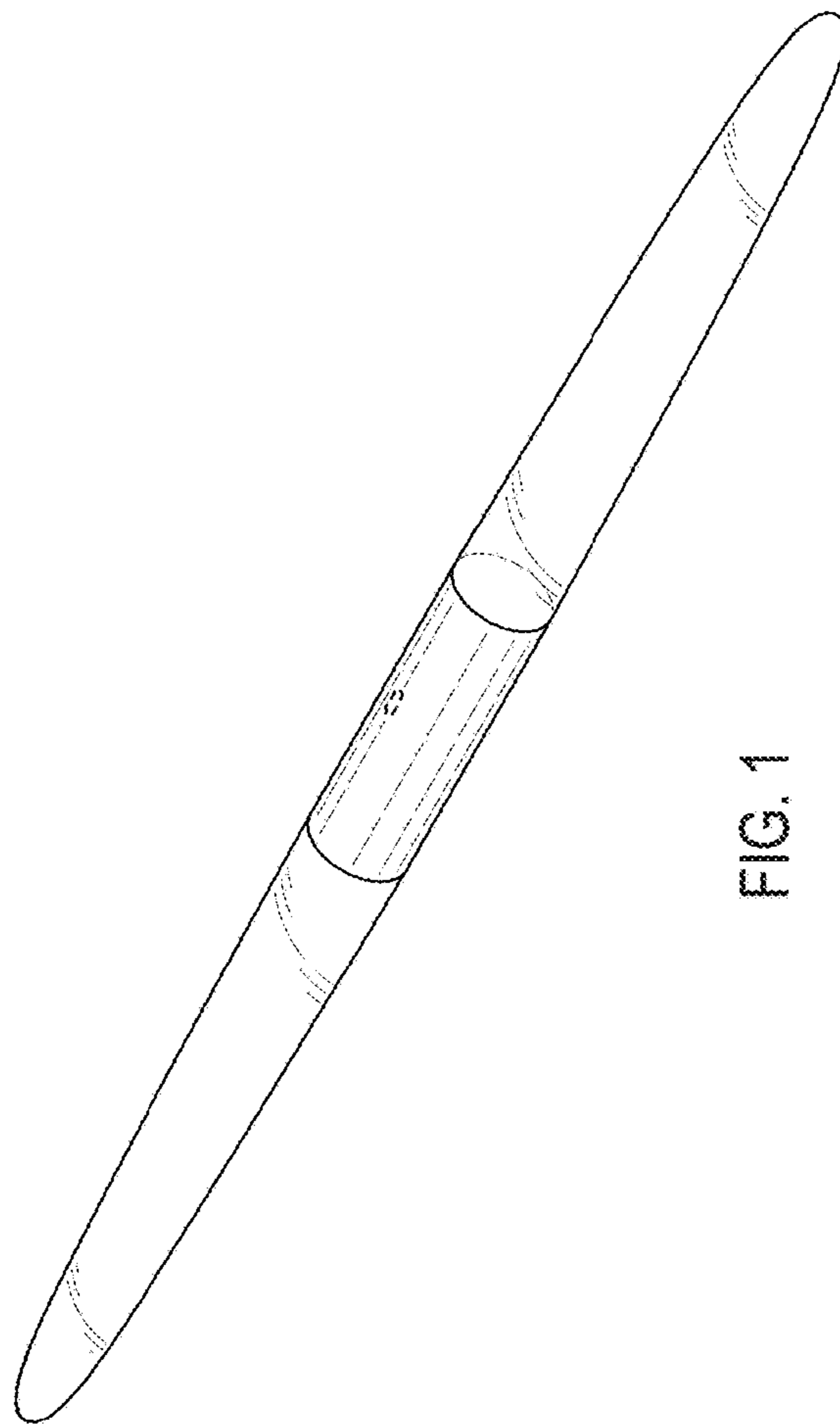


FIG. 1

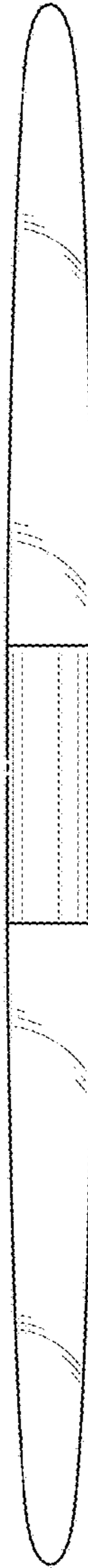


FIG. 2

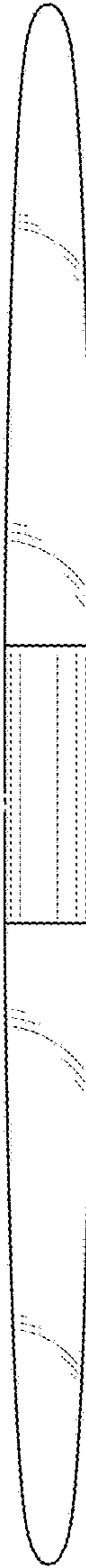


FIG. 3



FIG. 4



FIG. 5

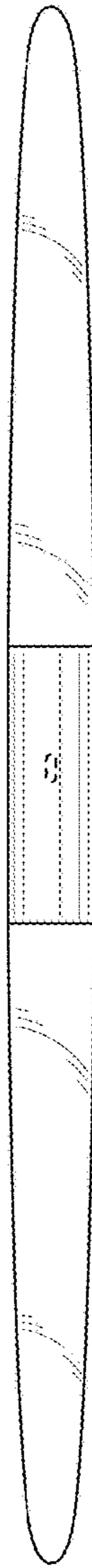


FIG. 6

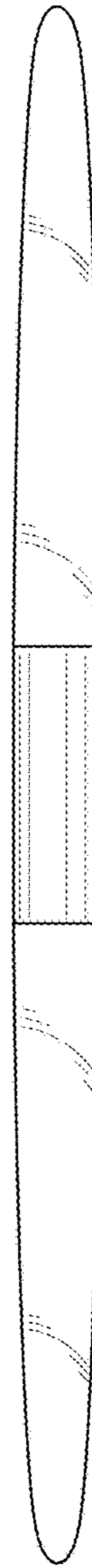


FIG. 7

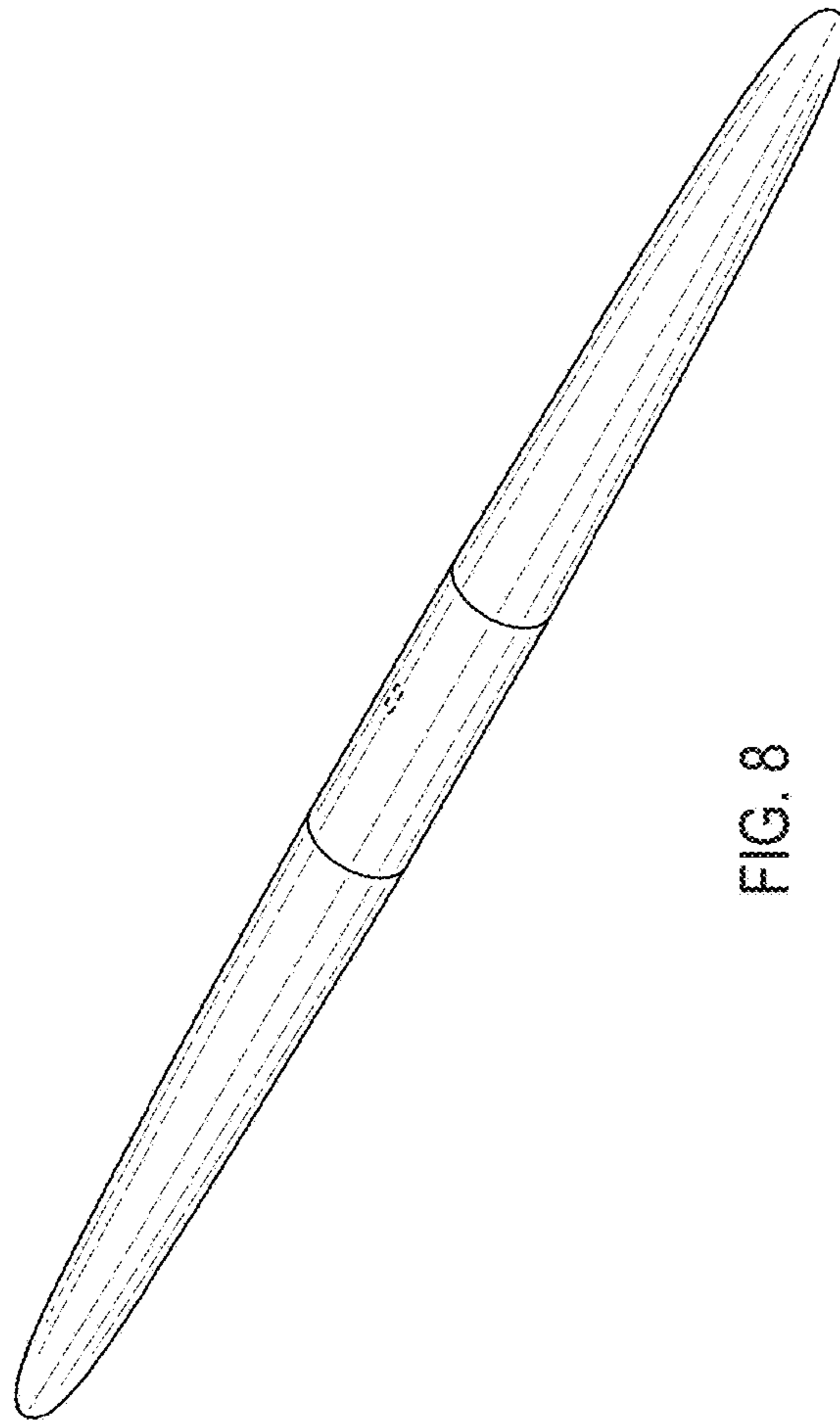


FIG. 8



FIG. 9

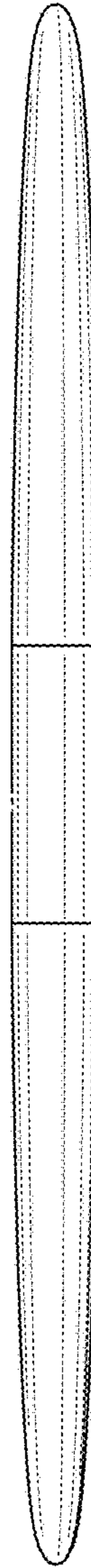


FIG. 10

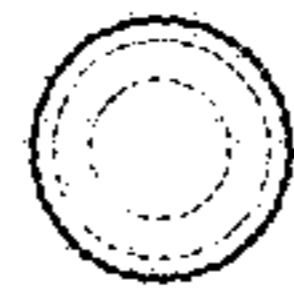


FIG. 11

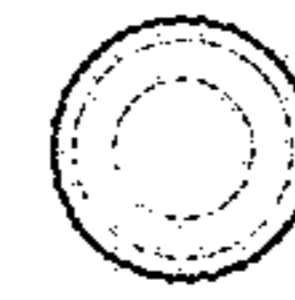


FIG. 12

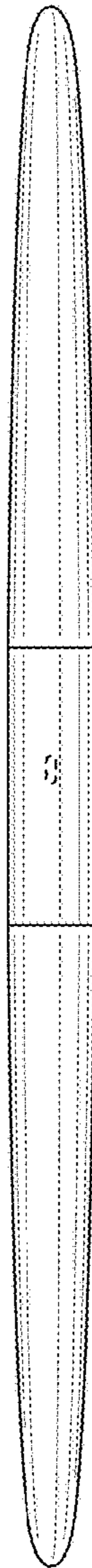


FIG. 13

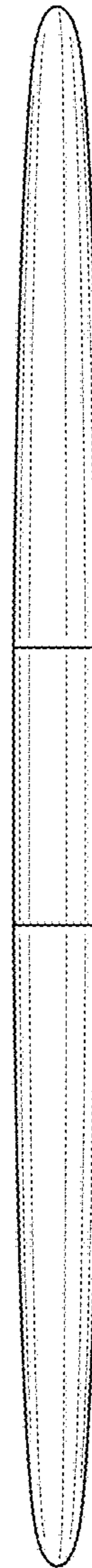


FIG. 14