



US00D858851S

(12) **United States Design Patent** (10) **Patent No.:** **US D858,851 S**  
**Petersen et al.** (45) **Date of Patent:** **\*\* Sep. 3, 2019**

(54) **LIGHT FIXTURE**

(71) Applicant: **Elemental LED, Inc.**, Emeryville, CA (US)

(72) Inventors: **Russell Petersen**, Alameda, CA (US); **Matthew John**, Reno, NV (US); **James Edward Stillman**, Shenzhen (CN)

(73) Assignee: **Elemental LED, Inc.**, Reno, NV (US)

(\*\*) Term: **15 Years**

(21) Appl. No.: **29/622,126**

(22) Filed: **Oct. 13, 2017**

(51) **LOC (12) Cl.** ..... **26-04**

(52) **U.S. Cl.**  
USPC ..... **D26/76**

(58) **Field of Classification Search**  
USPC ..... D26/76, 78, 79, 80, 81, 82, 83, 85, 86,  
D26/88, 90, 93, 111, 113, 118, 119, 120,  
D26/121, 122, 138, 139, 140, 141, 142,  
D26/152  
CPC ..... F21S 2/00; F21S 4/00; F21S 4/003; F21S  
4/005; F21S 4/006; F21S 4/007; F21S  
4/008; F21S 6/00; F21S 8/00; F21S  
8/024; F21S 8/026; F21S 8/031; F21S  
8/033; F21S 8/035-8/037; F21S 8/04;  
F21S 8/043; F21S 8/063

See application file for complete search history.

(56) **References Cited**

**U.S. PATENT DOCUMENTS**

D520,667 S \* 5/2006 Jae-Sung ..... D26/25  
D556,359 S \* 11/2007 Cunius ..... D26/75  
D583,496 S \* 12/2008 Kuo ..... D26/76  
D611,172 S \* 3/2010 Lin ..... D26/3  
D636,504 S \* 4/2011 Duster ..... D26/3

D643,960 S \* 8/2011 Waldmann ..... D26/74  
D662,245 S \* 6/2012 Steffy ..... D26/75  
D663,065 S \* 7/2012 Beghelli ..... D26/76  
D671,254 S \* 11/2012 Miyatake ..... D26/75  
D695,443 S \* 12/2013 Kaule ..... D26/76  
D756,553 S \* 5/2016 Kim ..... D26/76  
D764,092 S \* 8/2016 Cai ..... D26/76  
D774,682 S \* 12/2016 Chen ..... D26/85  
D793,603 S \* 8/2017 Parker ..... D26/76  
D808,059 S \* 1/2018 Li ..... D26/76  
D830,588 S \* 10/2018 Kuang ..... D26/3

**OTHER PUBLICATIONS**

Elemental LED, Inc., "Chromapath® Aluminum Channels," Diode LED 2017 Catalog, pp. 37-49, Jan. 2017.

\* cited by examiner

*Primary Examiner* — Natasha Vujcic  
(74) *Attorney, Agent, or Firm* — United IP Counselors, LLC

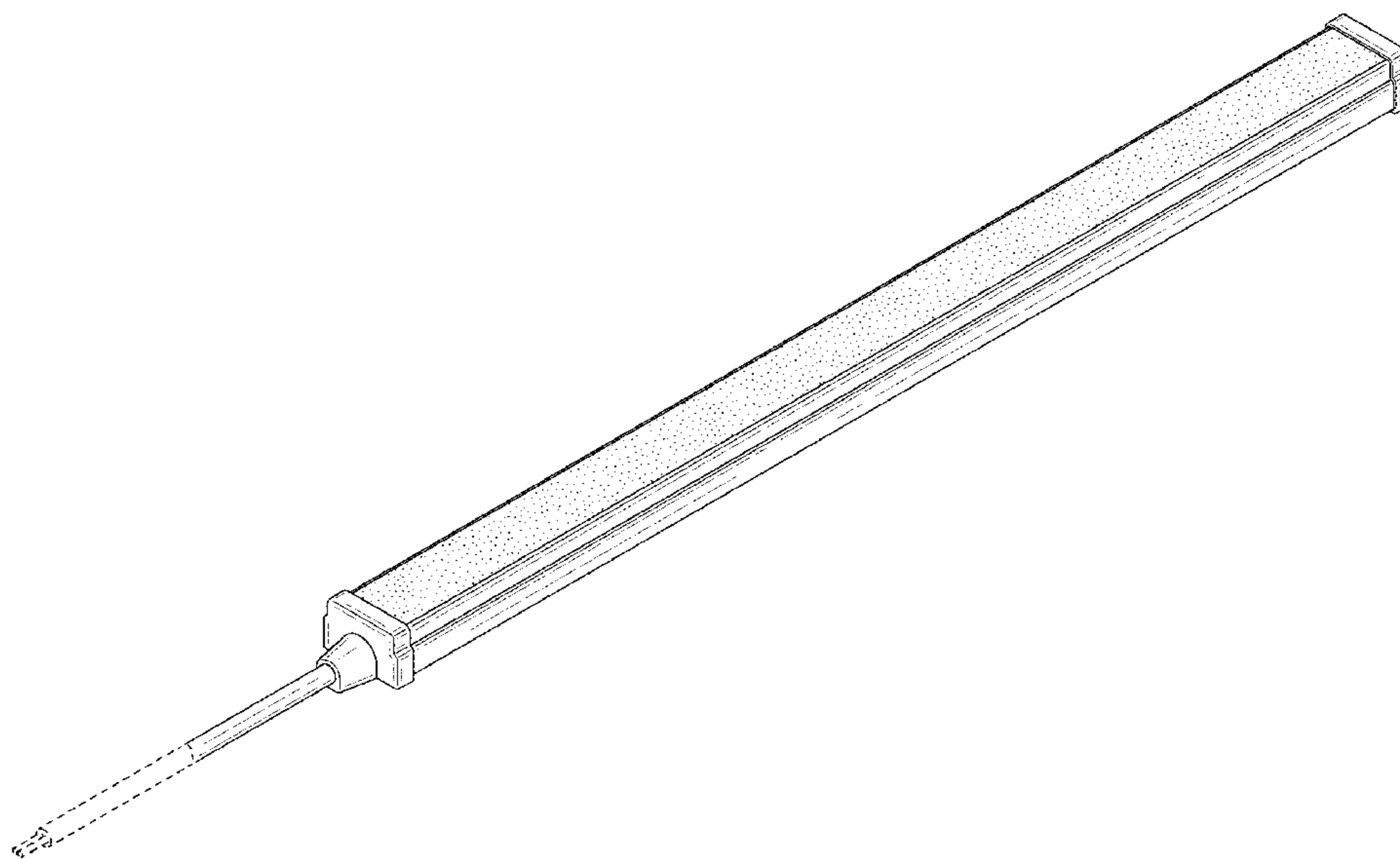
(57) **CLAIM**

The ornamental design for a light fixture, as shown and described.

**DESCRIPTION**

FIG. 1 is a perspective view of the light fixture, illustrating our new design;  
FIG. 2 is a top plan view of the light fixture;  
FIG. 3 is a bottom plan view of the light fixture;  
FIG. 4 is a right side elevational view of the light fixture;  
FIG. 5 is a left side elevational view of the light fixture;  
FIG. 6 is a rear elevational view of the light fixture; and,  
FIG. 7 is a front elevational view of the light fixture.  
In the drawing figures, the broken lines illustrate environmental structure that forms no part of the claim.

**1 Claim, 4 Drawing Sheets**



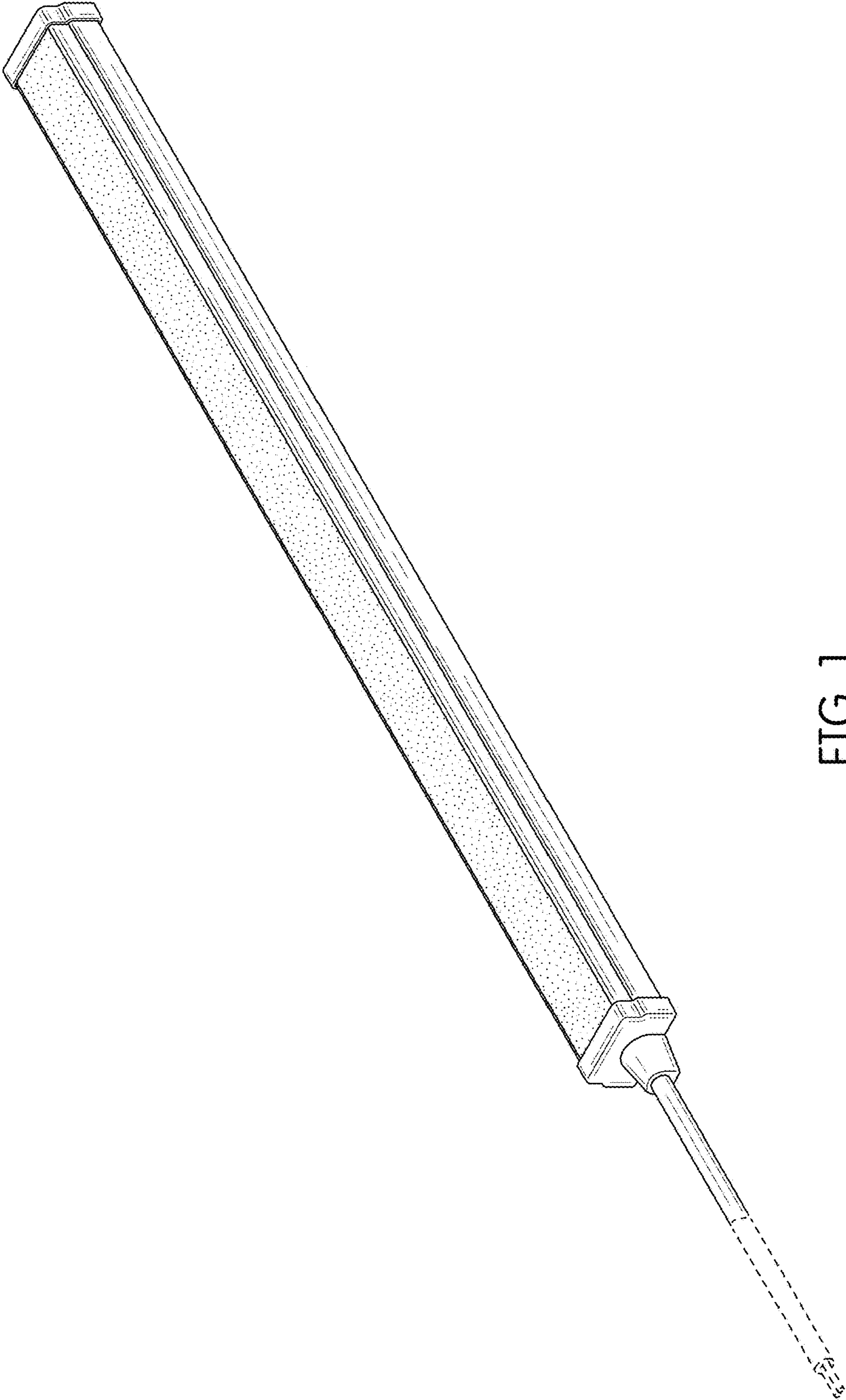


FIG. 1

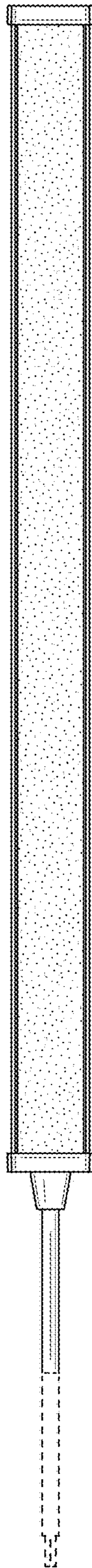


FIG. 2

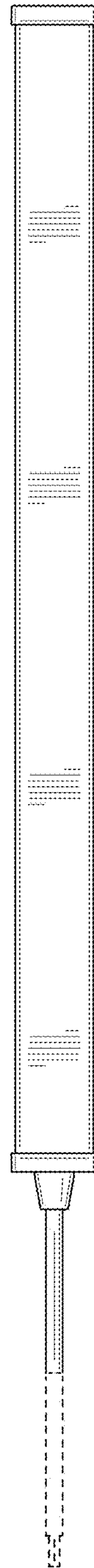


FIG. 3

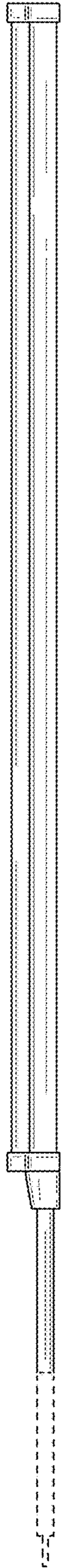


FIG. 4

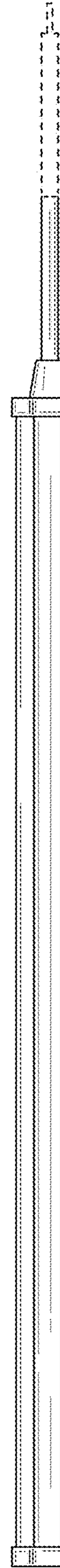


FIG. 5



FIG. 6

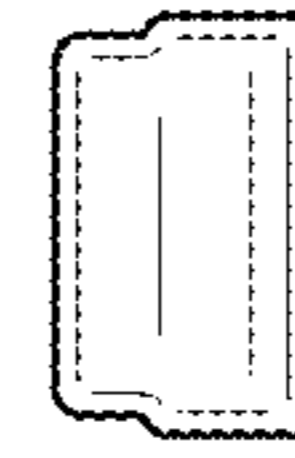


FIG. 7